

US00D603056S

(12) **United States Design Patent**
Ray

(10) **Patent No.:** **US D603,056 S**

(45) **Date of Patent:** **** Oct. 27, 2009**

(54) **WINDOW DESIGN**

(75) Inventor: **Jerry Ray**, Cleburne, TX (US)

(73) Assignee: **Rays Service & Sales, Inc.**, Alvarado, TX (US)

(**) Term: **14 Years**

(21) Appl. No.: **29/329,738**

(22) Filed: **Dec. 19, 2008**

(51) **LOC (9) Cl.** **25-02**

(52) **U.S. Cl.** **D25/52**

(58) **Field of Classification Search** D25/52;
49/61, 130, 158, 504, 501; 52/202, 205,
52/206, 204.5, 204.51

See application file for complete search history.

(56) **References Cited**

U.S. PATENT DOCUMENTS

1,407,536 A * 2/1922 Hodgen 52/204.5
2,219,593 A * 10/1940 Lang 49/61
4,324,072 A * 4/1982 Sterner, Jr. 49/129

D299,544 S * 1/1989 Nolan D25/52
4,949,506 A * 8/1990 Durham, Jr. 49/449
D477,882 S * 7/2003 Clarkin D25/52

* cited by examiner

Primary Examiner—Doris Clark

(74) *Attorney, Agent, or Firm*—Italia IP; James A. Italia

(57) **CLAIM**

The ornamental design for a window, as shown and described.

DESCRIPTION

FIG. 1 is a perspective view of a window, showing my new design;

FIG. 2 is a rear elevational view of the invention;

FIG. 3 is a front elevational view of the invention;

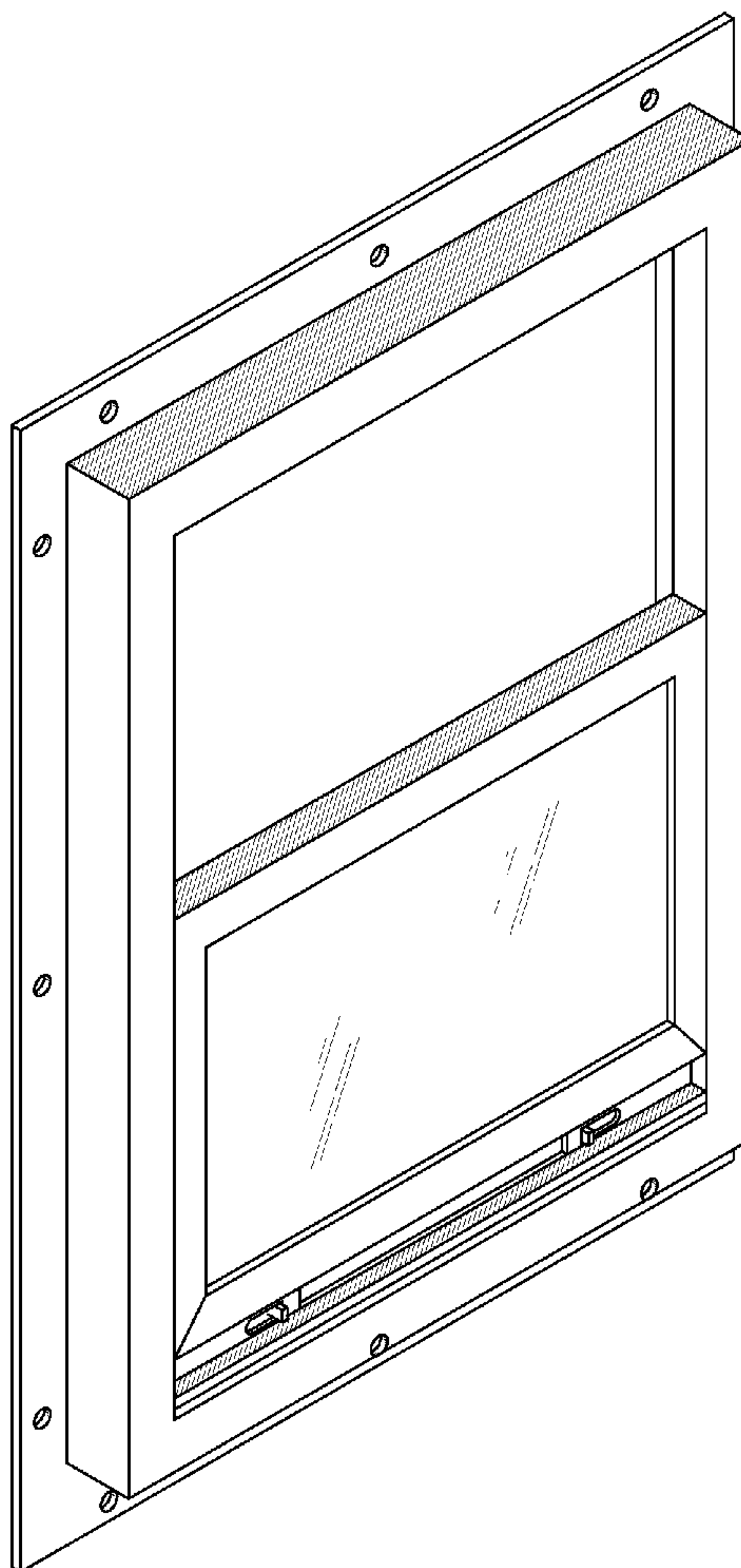
FIG. 4 is a left-side elevational view of the invention;

FIG. 5 is a right-side elevational view of the invention;

FIG. 6 is a top plan view of the invention; and,

FIG. 7 is a bottom plan view of the invention.

1 Claim, 3 Drawing Sheets



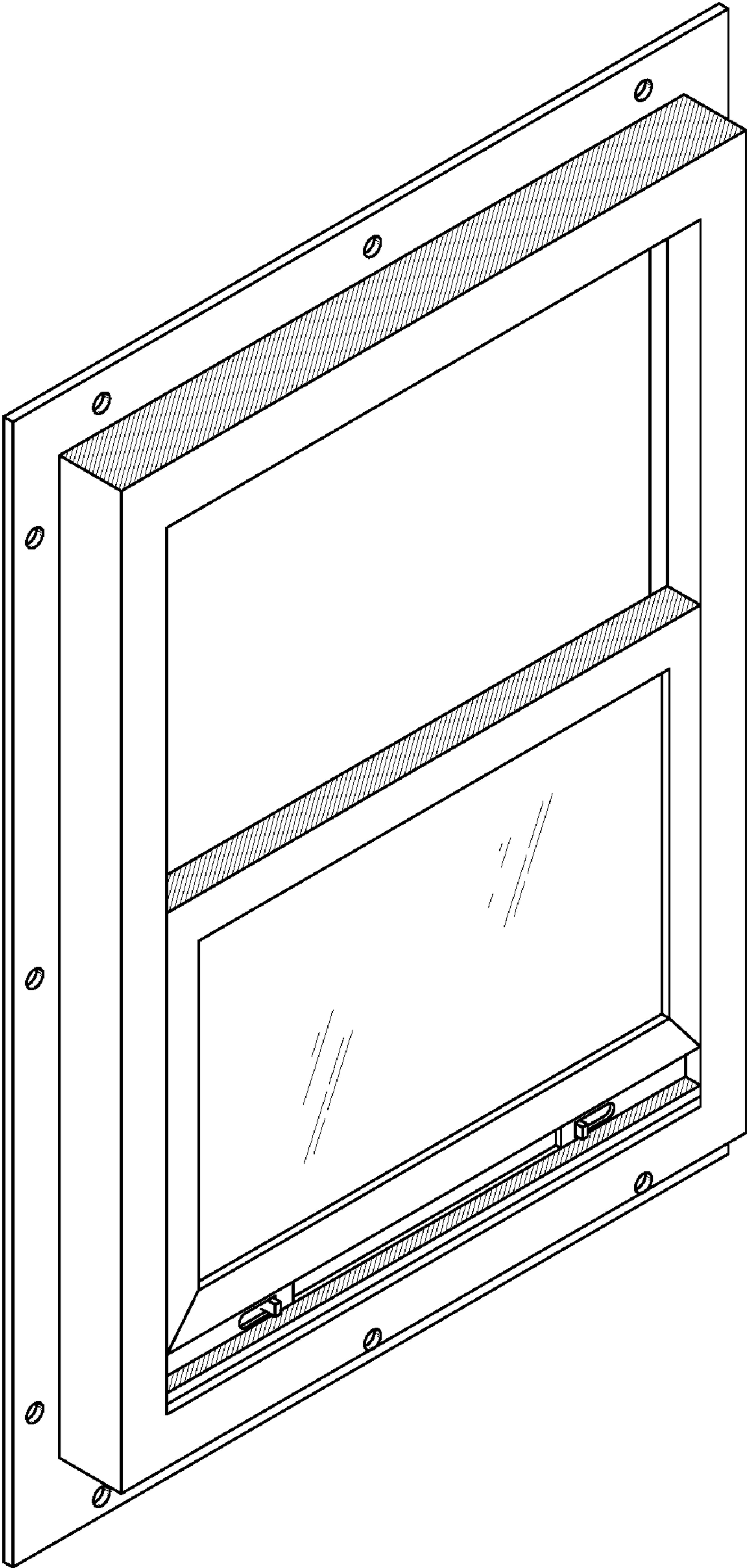


FIG. 1

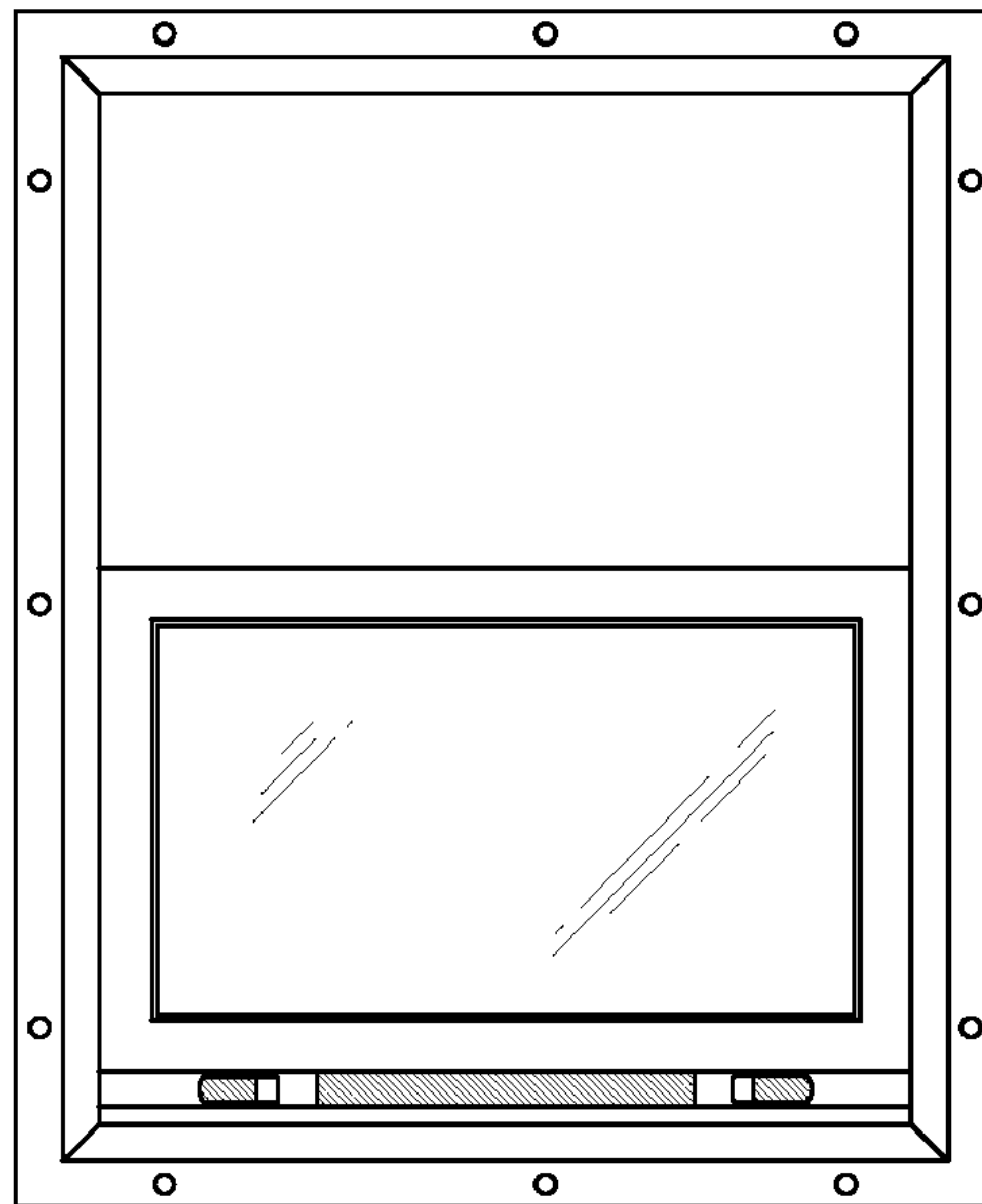


FIG. 2

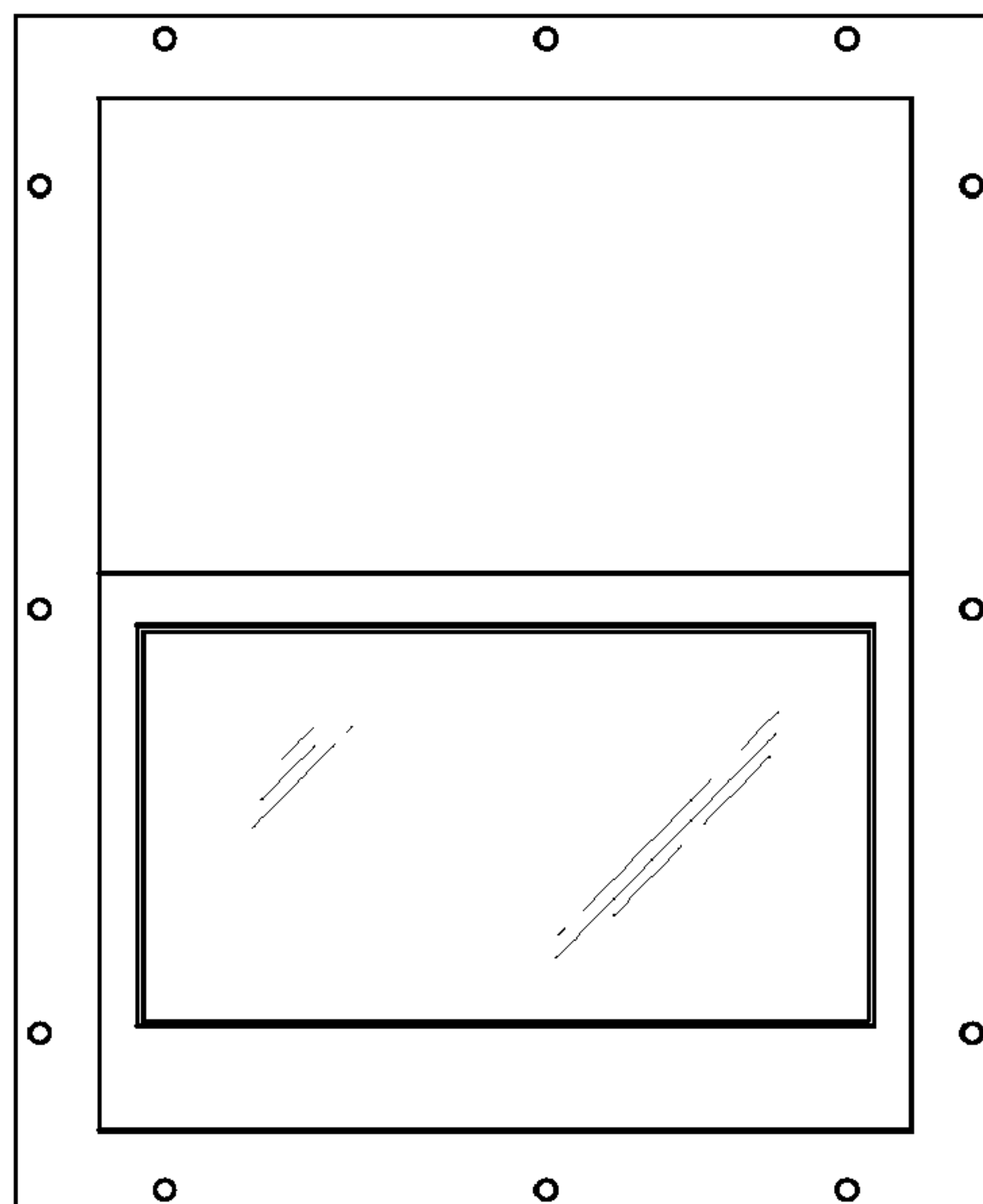


FIG. 3

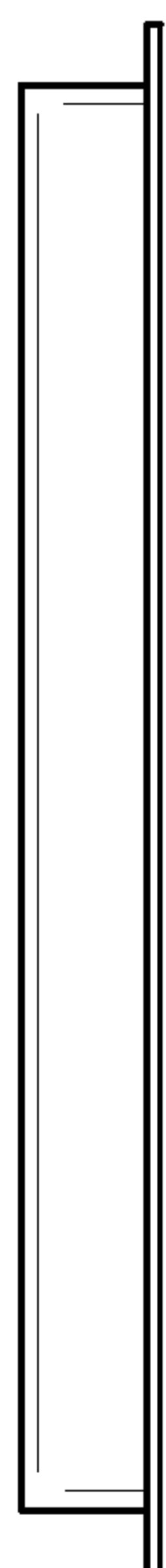


FIG. 4

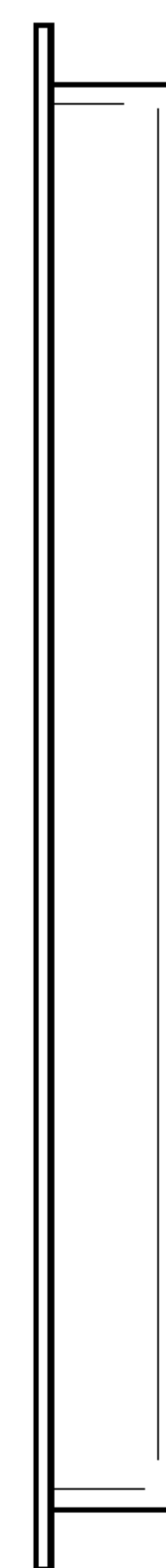


FIG. 5

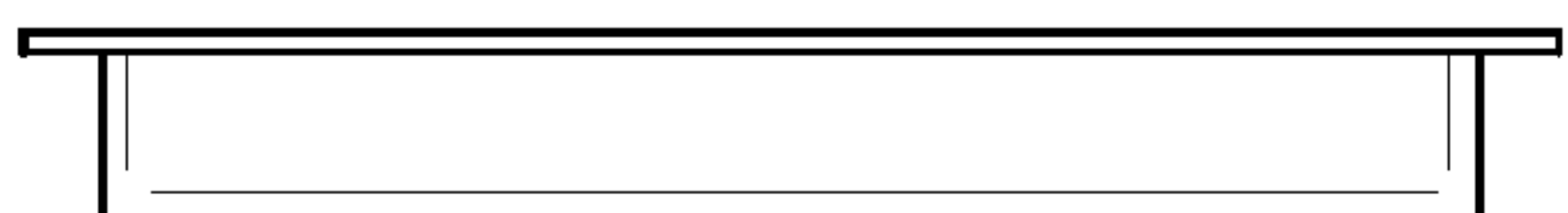


FIG. 6

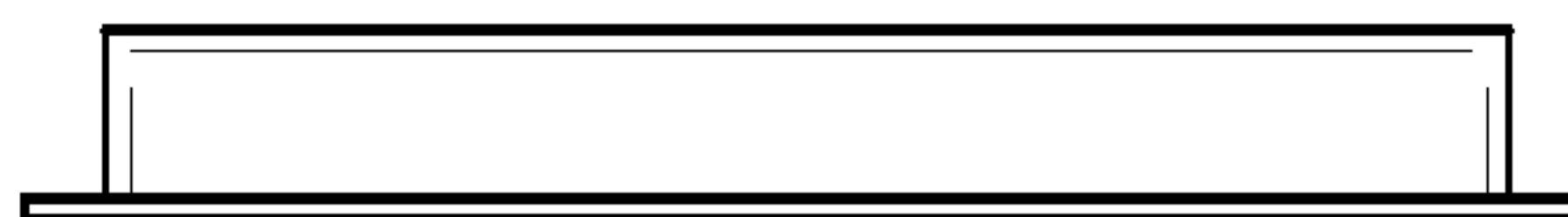


FIG. 7