

US00D603055S

(12) **United States Design Patent**
Ray

(10) **Patent No.:** **US D603,055 S**

(45) **Date of Patent:** **** Oct. 27, 2009**

(54) **WINDOW**

(75) Inventor: **Jerry Ray**, Cleburne, TX (US)

(73) Assignee: **Rays Service and Sales, Inc.**, Alvarado, TX (US)

(**) Term: **14 Years**

(21) Appl. No.: **29/327,707**

(22) Filed: **Nov. 11, 2008**

(51) **LOC (9) Cl.** **25-02**

(52) **U.S. Cl.** **D25/52**

(58) **Field of Classification Search** D25/52;
49/61, 130, 158, 504, 501, 153, 147, 197,
49/371; 52/202, 205, 206, 204.5, 204.51
See application file for complete search history.

(56) **References Cited**

U.S. PATENT DOCUMENTS

1,959,941 A * 5/1934 Wiley 49/109
2,767,813 A * 10/1956 Blanchard 49/371
2,845,153 A * 7/1958 West 49/371

3,220,465 A * 11/1965 Leiser 160/92
D349,268 S * 8/1994 Jones D12/183
D418,609 S * 1/2000 Lindgren D25/52
2006/0101738 A1 * 5/2006 Lethers et al. 52/204.51

* cited by examiner

Primary Examiner—Doris Clark

(74) *Attorney, Agent, or Firm*—Italia IP; James A. Italia

(57) **CLAIM**

The ornamental design for a window, as shown and described.

DESCRIPTION

FIG. 1 is a perspective view of a window, showing my new design;

FIG. 2 is a front elevational view of the invention;

FIG. 3 is a rear elevational view of the invention;

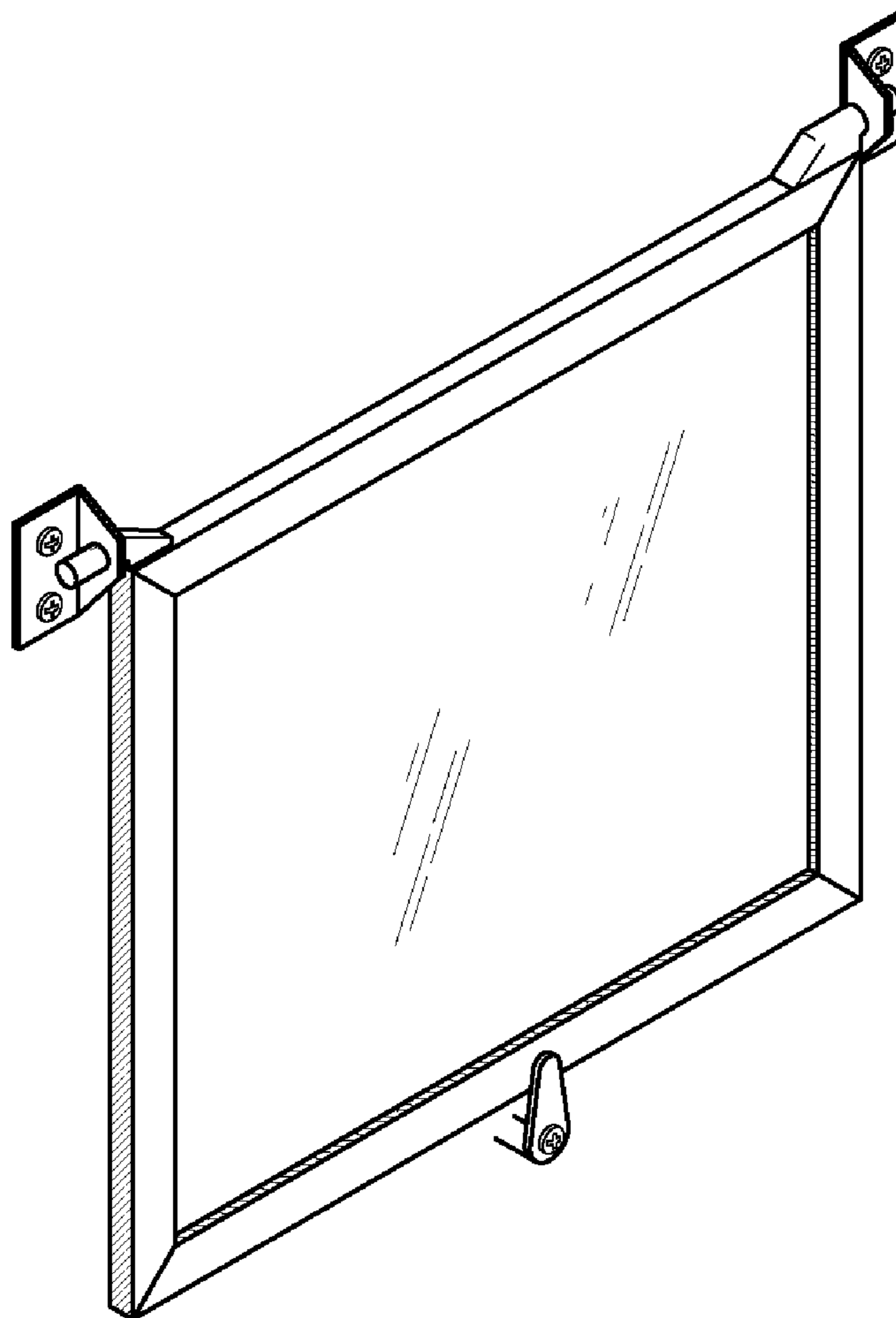
FIG. 4 is a top plan view of the invention; and

FIG. 5 is a bottom plan view of the invention.

FIG. 6 is a left-side elevational view of the invention; and,

FIG. 7 is a right-side elevational view of the invention.

1 Claim, 3 Drawing Sheets



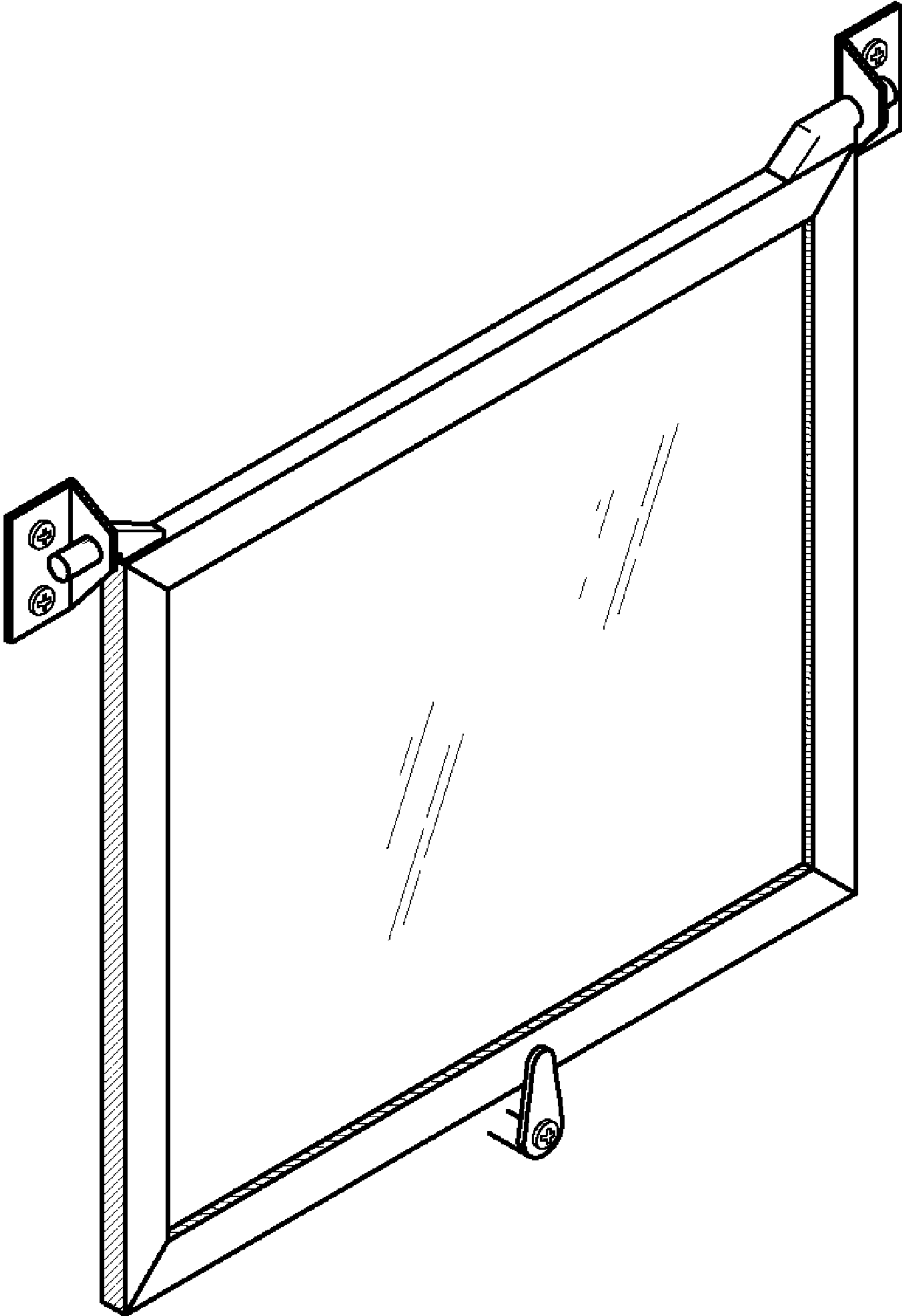


FIG. 1

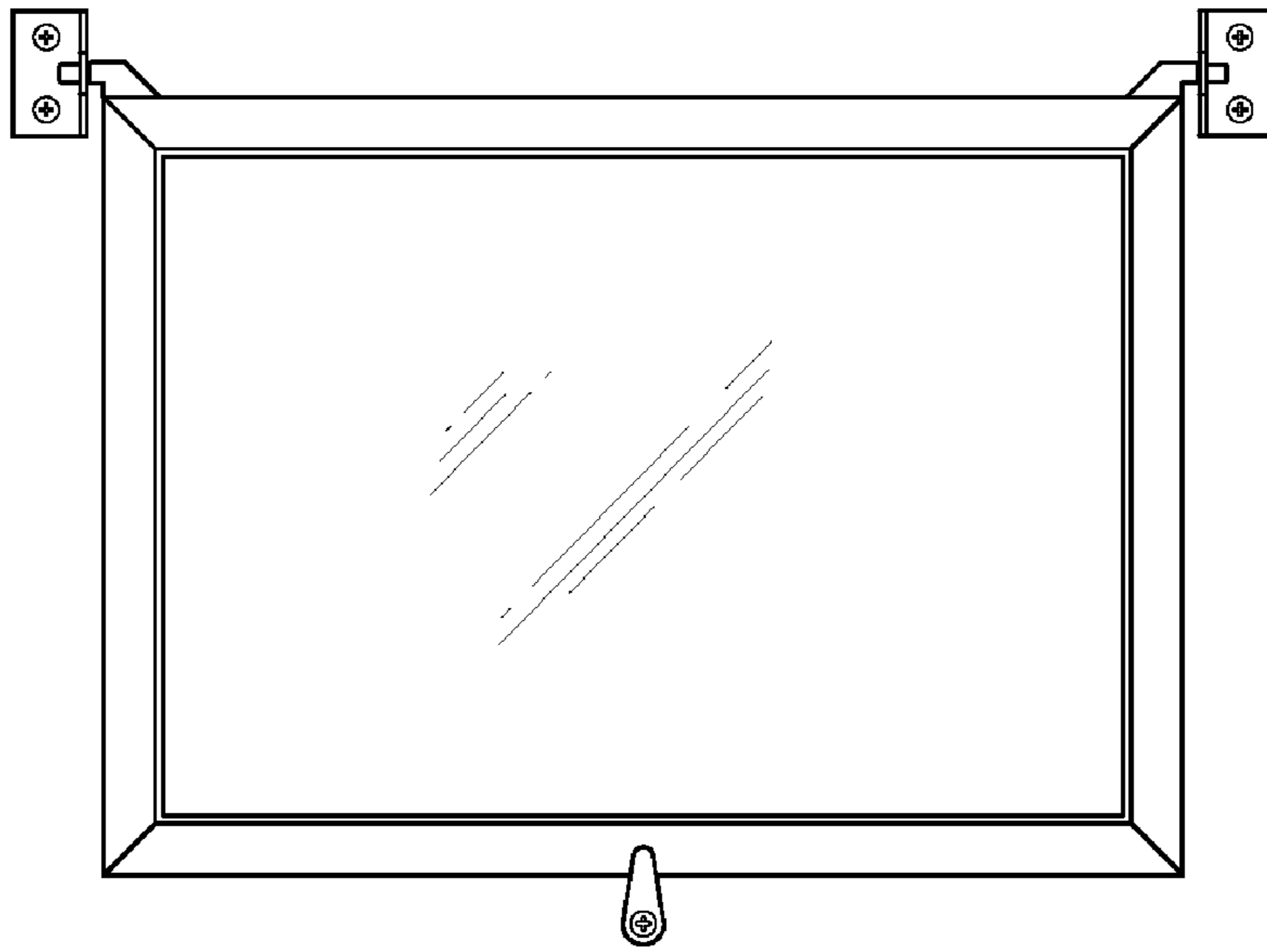


FIG. 2

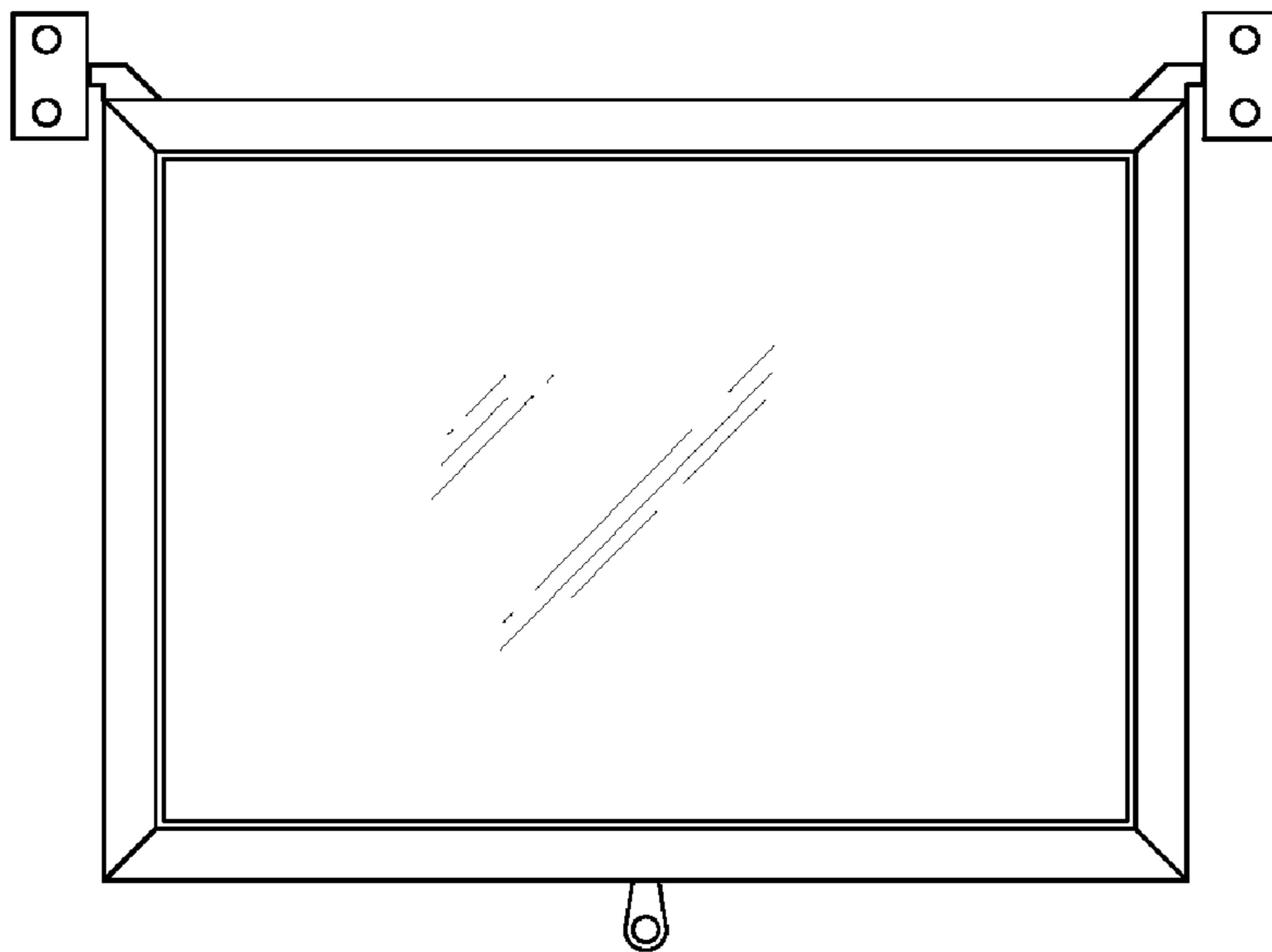


FIG. 3



FIG. 4

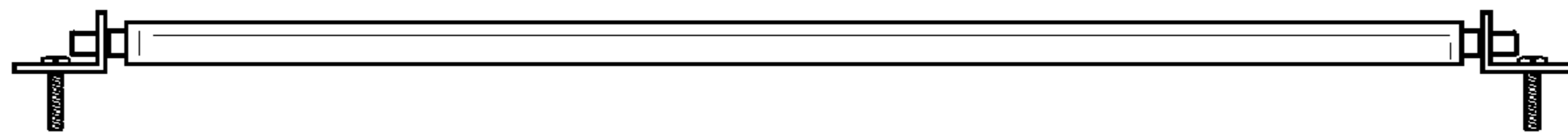


FIG. 5



FIG. 6

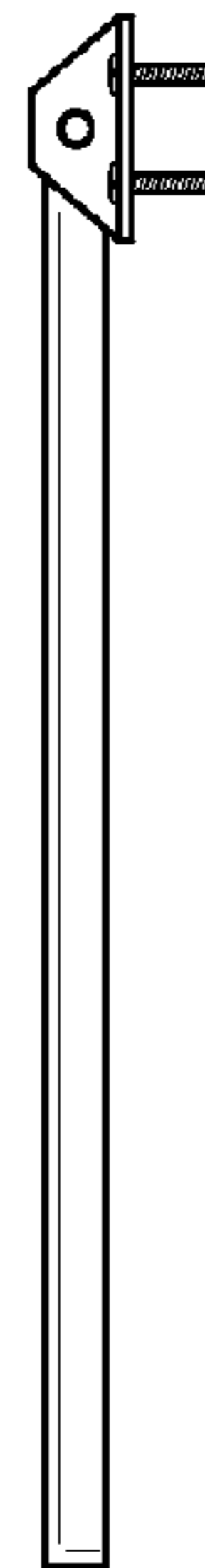


FIG. 7