



US00D603050S

(12) **United States Design Patent**
Chen

(10) **Patent No.:** **US D603,050 S**

(45) **Date of Patent:** **** Oct. 27, 2009**

(54) **ULTRASOUND TRANSDUCER**

(75) Inventor: **Shin-Chung Chen**, Luchu Hsiang (TW)

(73) Assignee: **Tung Thih Electronic Co., Ltd.**,
Taoyuan Hsien (TW)

(**) Term: **14 Years**

(21) Appl. No.: **29/311,156**

(22) Filed: **Jan. 6, 2009**

(51) **LOC (9) Cl.** **24-01**

(52) **U.S. Cl.** **D24/187**

(58) **Field of Classification Search** D24/133,
D24/135, 141, 144, 158, 186-187, 200, 214;
D10/47, 60, 78; 600/407, 461, 459; 378/98.7,
378/98.8, 189; D8/356; D15/138; D9/454
See application file for complete search history.

(56) **References Cited**

U.S. PATENT DOCUMENTS

D303,008 S *	8/1989	O'Hara et al.	D24/135
D317,415 S *	6/1991	Gambill	D10/60
D375,450 S *	11/1996	Bidwell et al.	D8/356
D397,345 S *	8/1998	Screen et al.	D15/138
D415,835 S *	10/1999	Malewicz	D24/187
D424,453 S *	5/2000	Atterbury et al.	D10/47
D478,994 S *	8/2003	Pitzen	D24/200
D480,478 S *	10/2003	Leonard et al.	D24/133

D490,902 S *	6/2004	Pitzen	D24/200
D547,871 S *	7/2007	Watson et al.	D24/186
D553,498 S *	10/2007	Cooney et al.	D9/454
D555,796 S *	11/2007	Kawaguchi et al.	D24/214
D575,173 S *	8/2008	Staller	D10/78

* cited by examiner

Primary Examiner—T. Chase Nelson

Assistant Examiner—Mark Cavanna

(74) *Attorney, Agent, or Firm*—Bacon & Thomas, PLLC

(57) **CLAIM**

The ornamental design for an ultrasound transducer, as shown.

DESCRIPTION

FIG. 1 is a perspective view of an ultrasound transducer showing my new design;

FIG. 2 is a front view thereof;

FIG. 3 is a rear view thereof;

FIG. 4 is a left side view thereof;

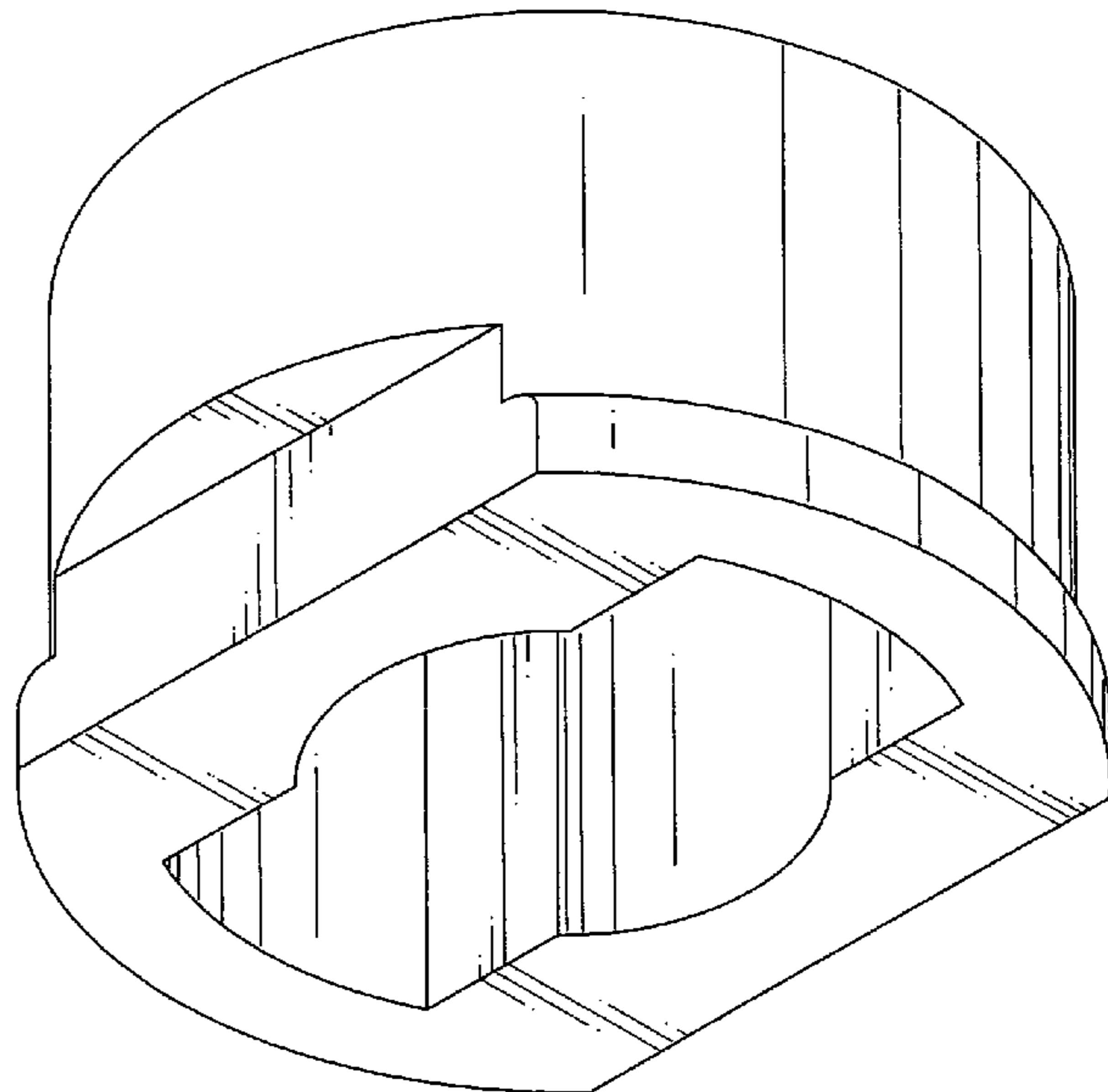
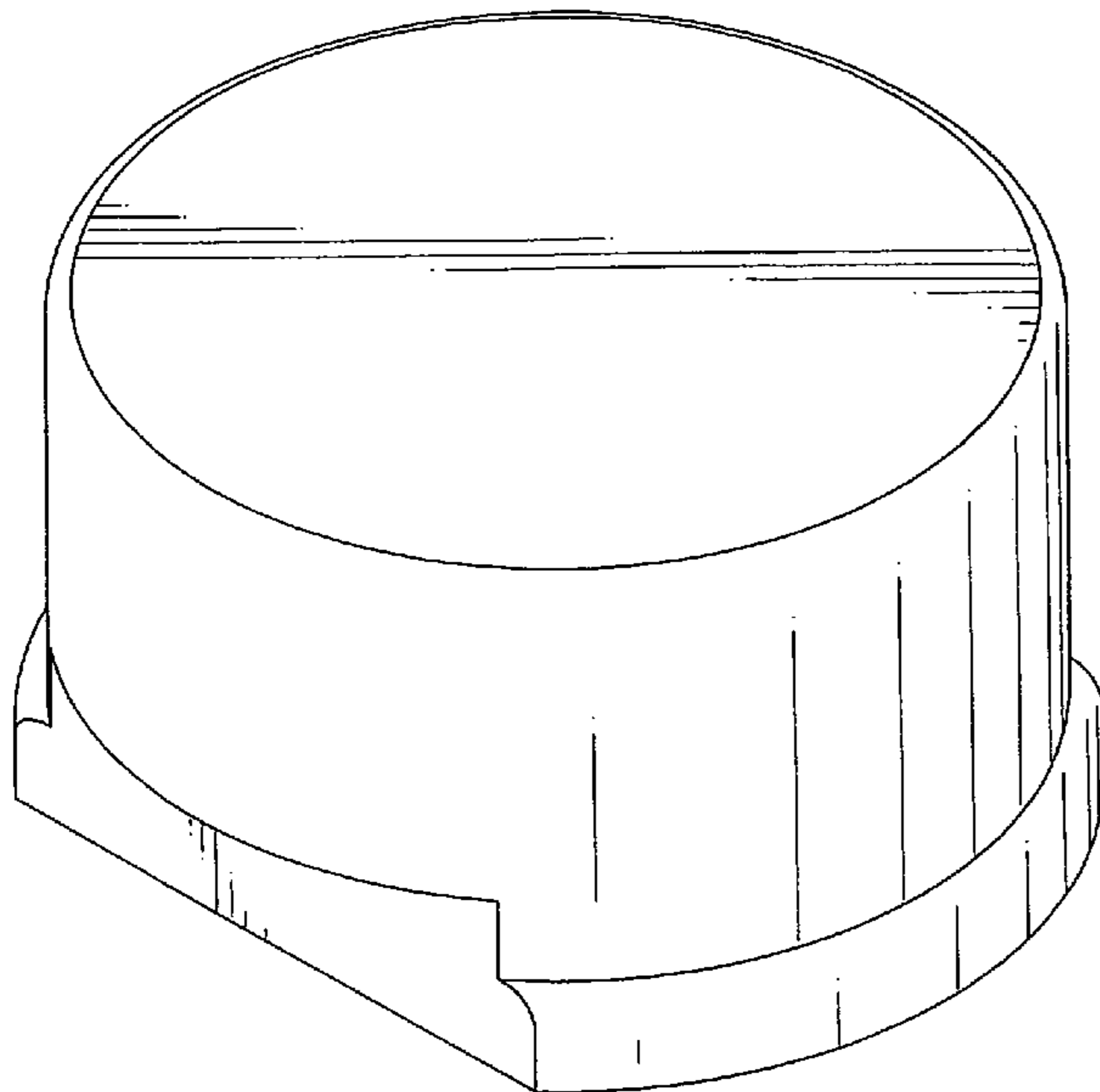
FIG. 5 is a right side view thereof;

FIG. 6 is top view thereof;

FIG. 7 is a bottom view thereof; and,

FIG. 8 is another perspective view thereof.

1 Claim, 8 Drawing Sheets



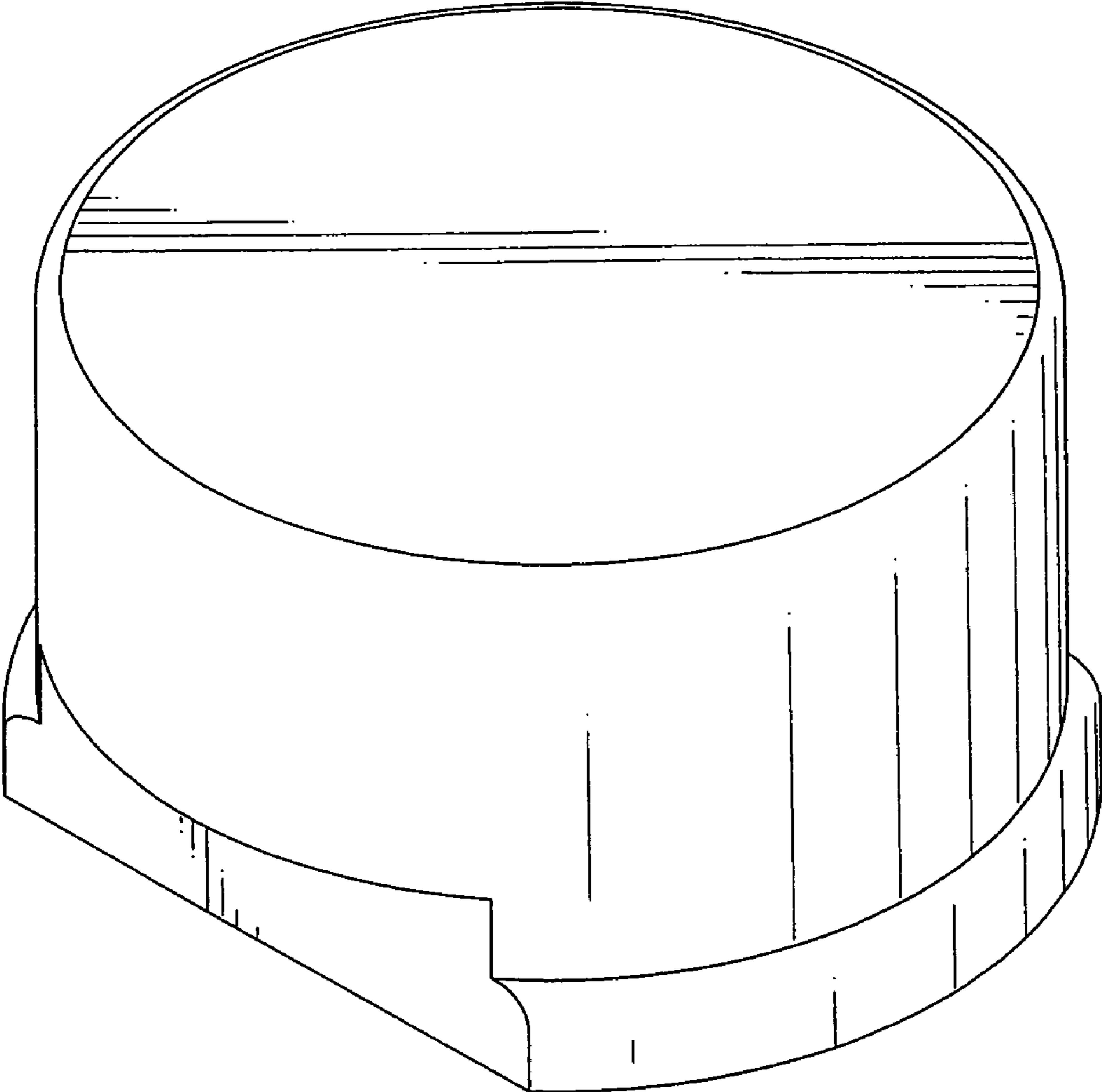


FIG.1

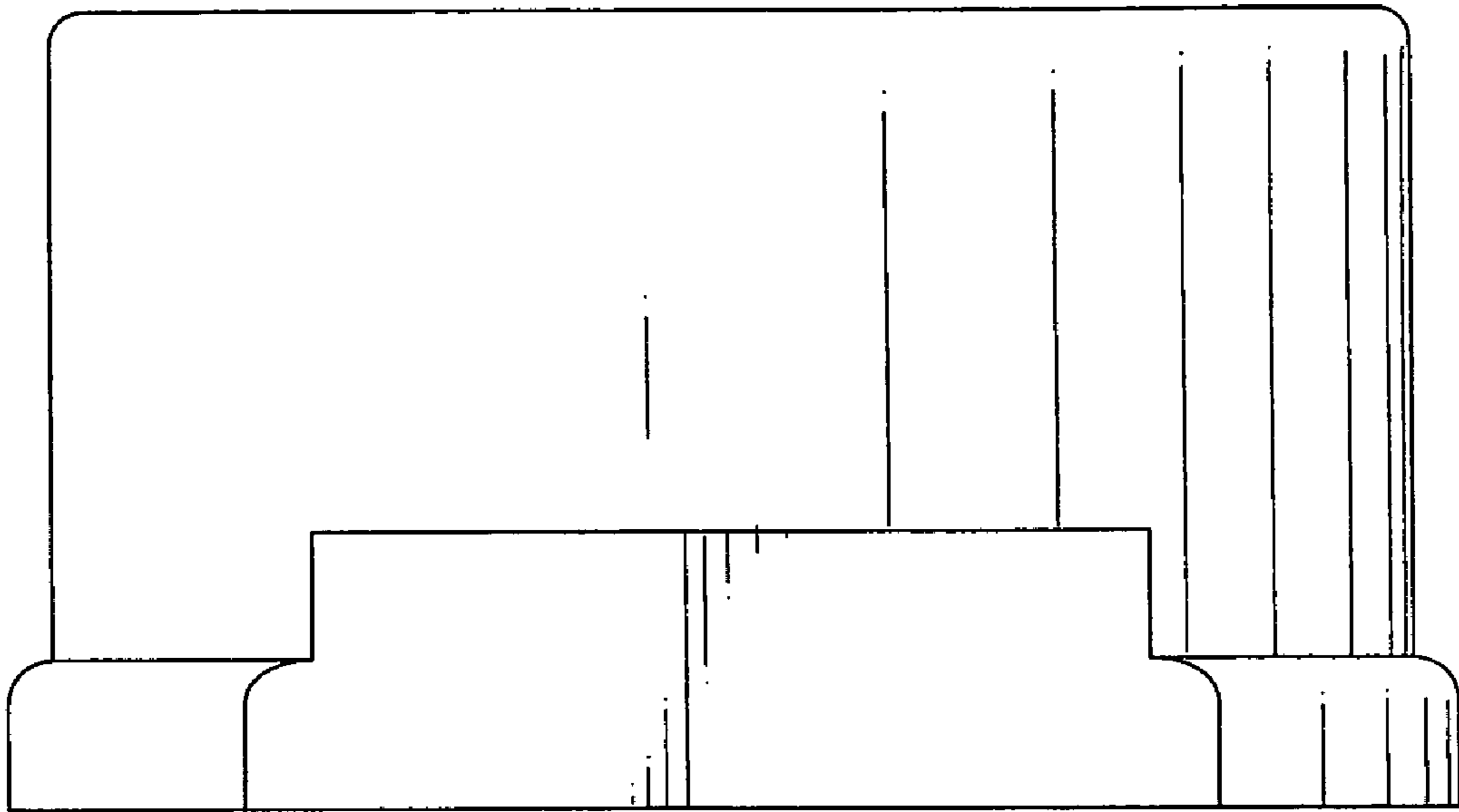


FIG.2

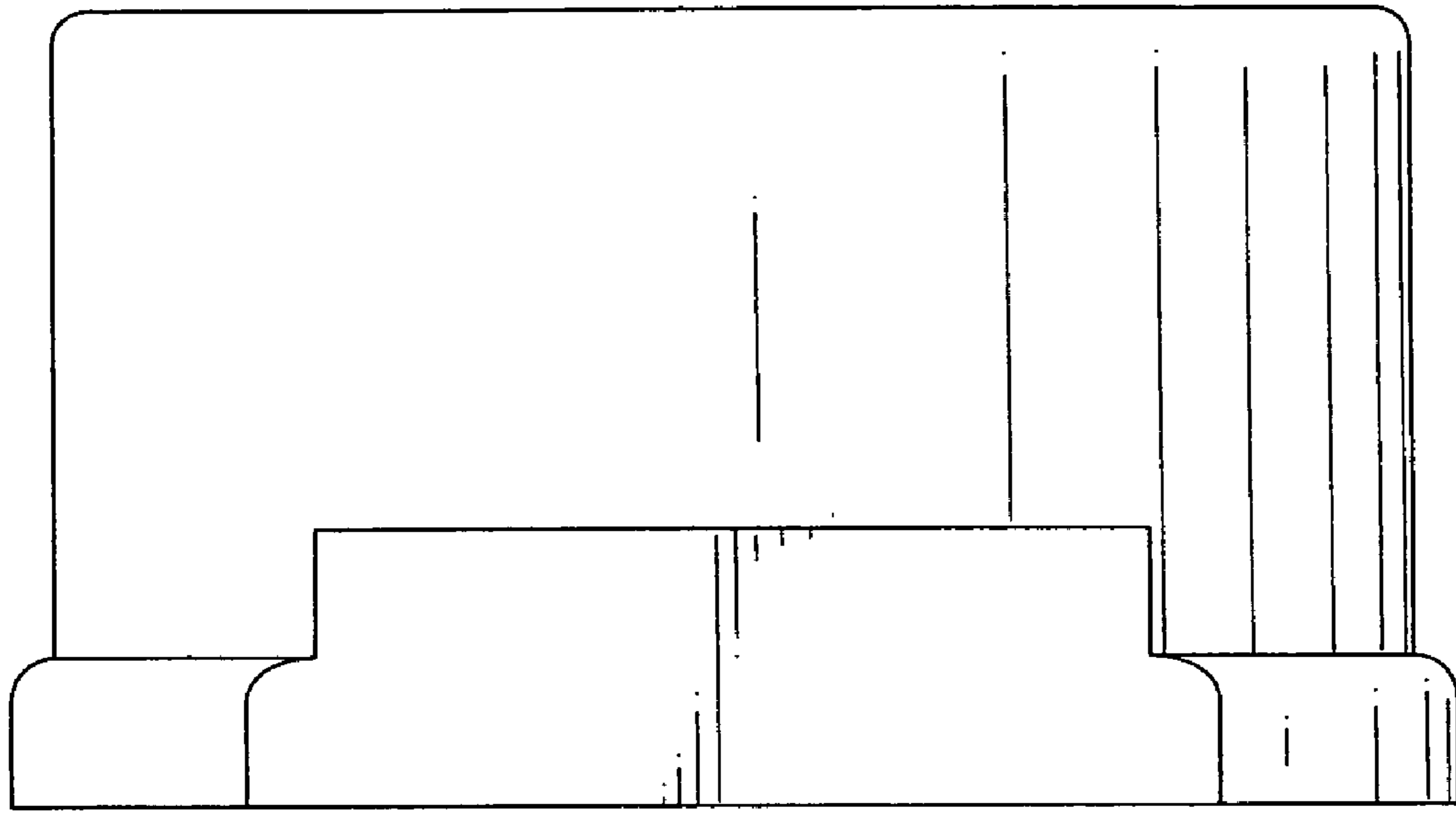


FIG.3

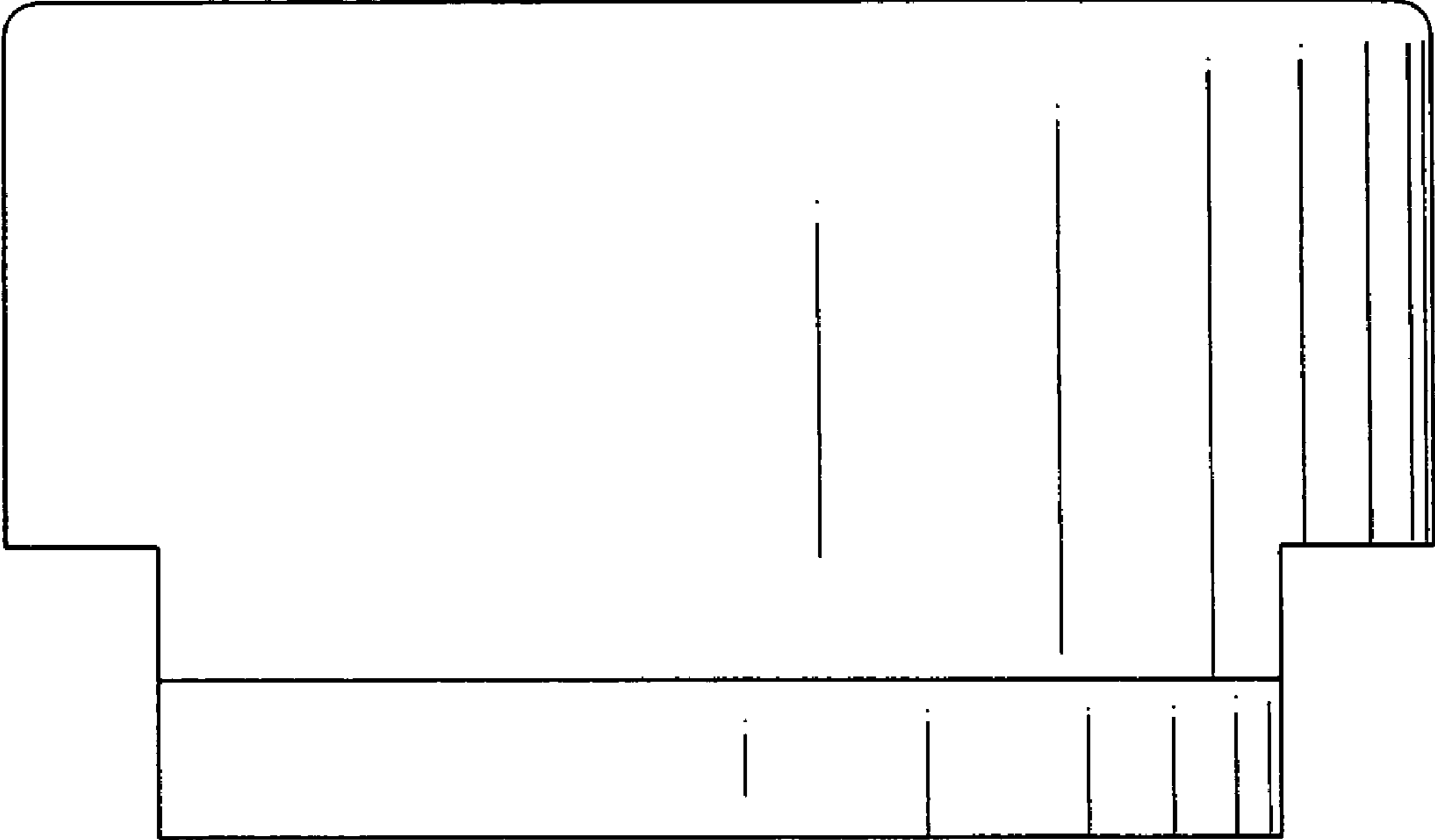


FIG.4

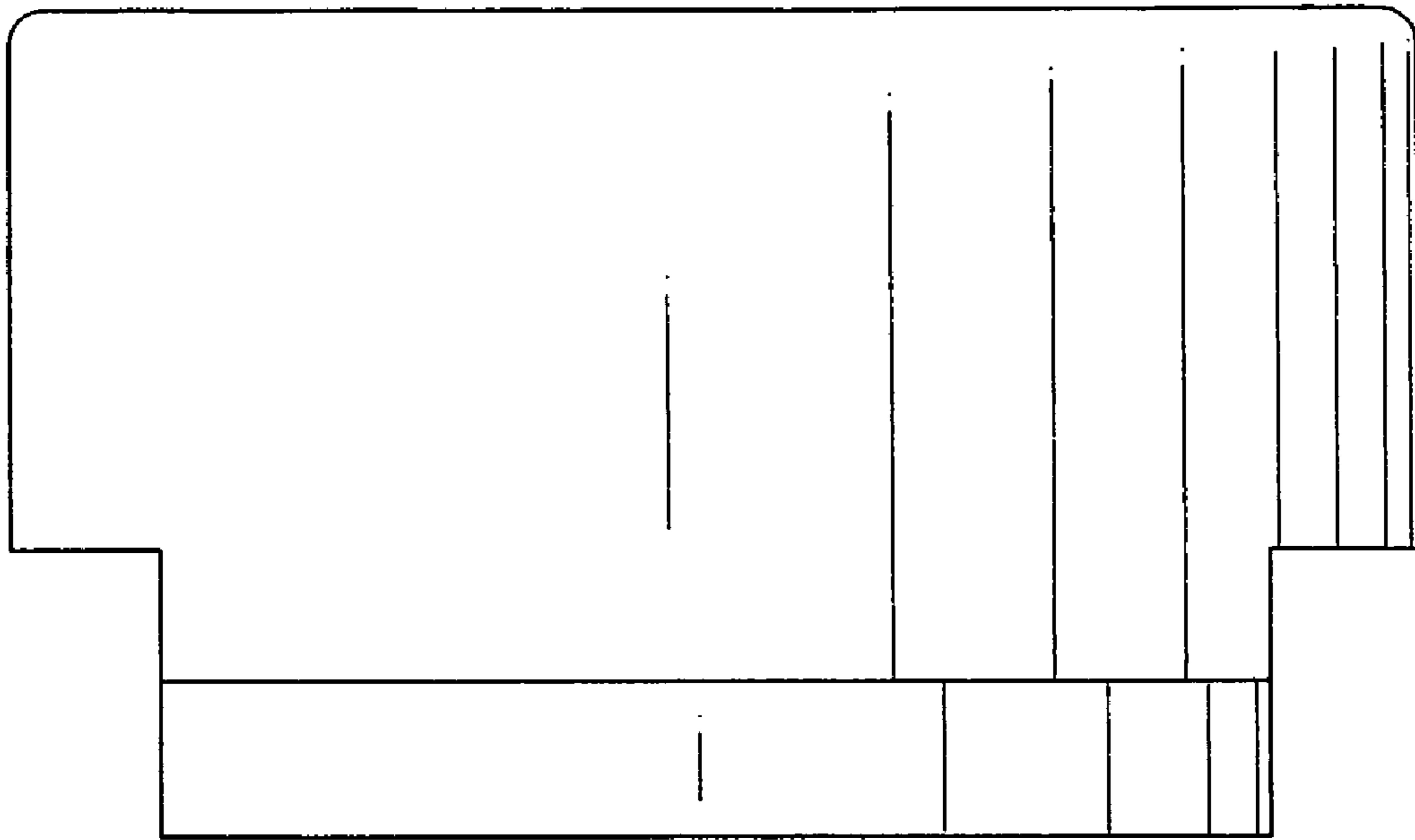


FIG.5

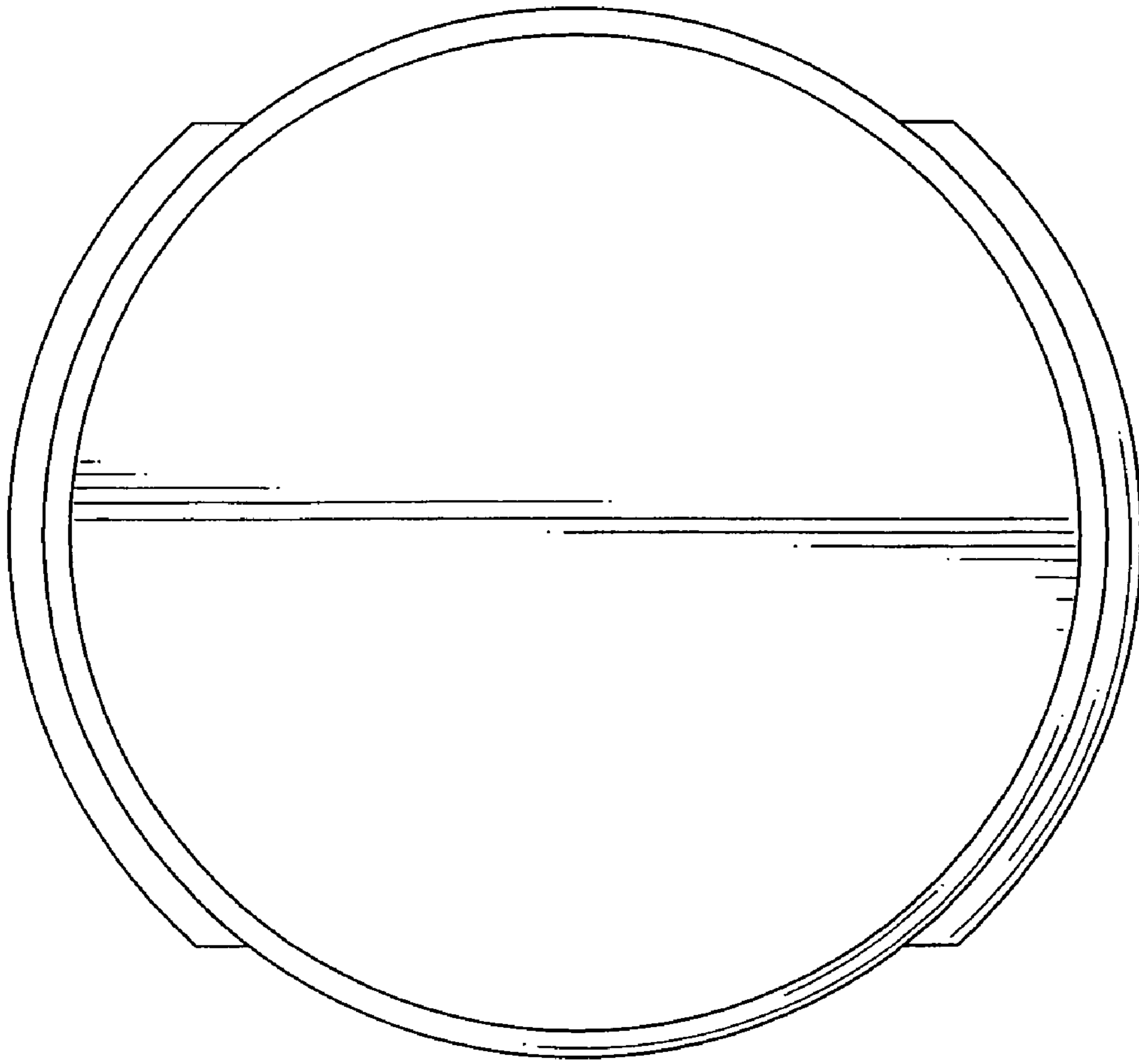


FIG.6

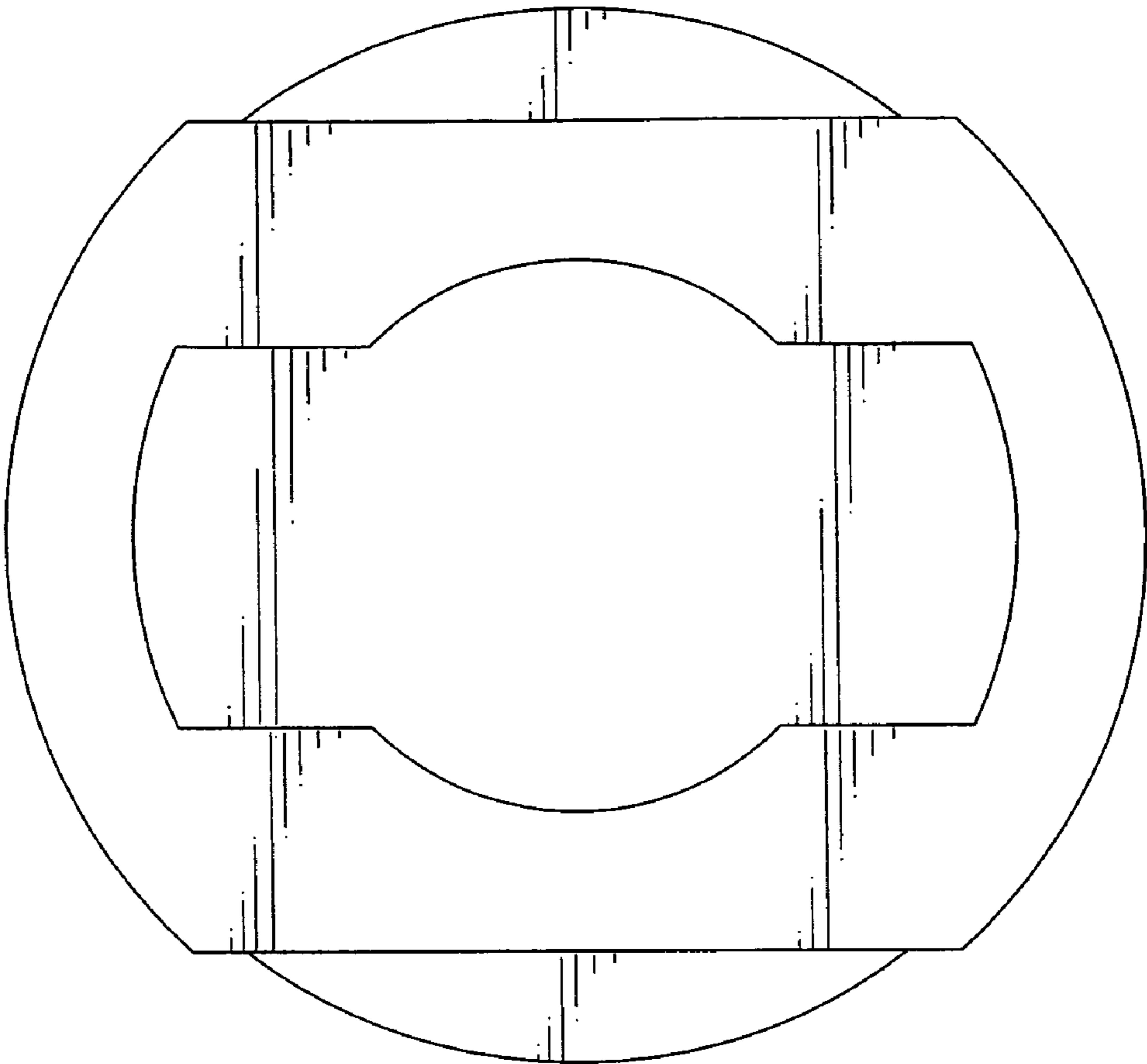


FIG. 7

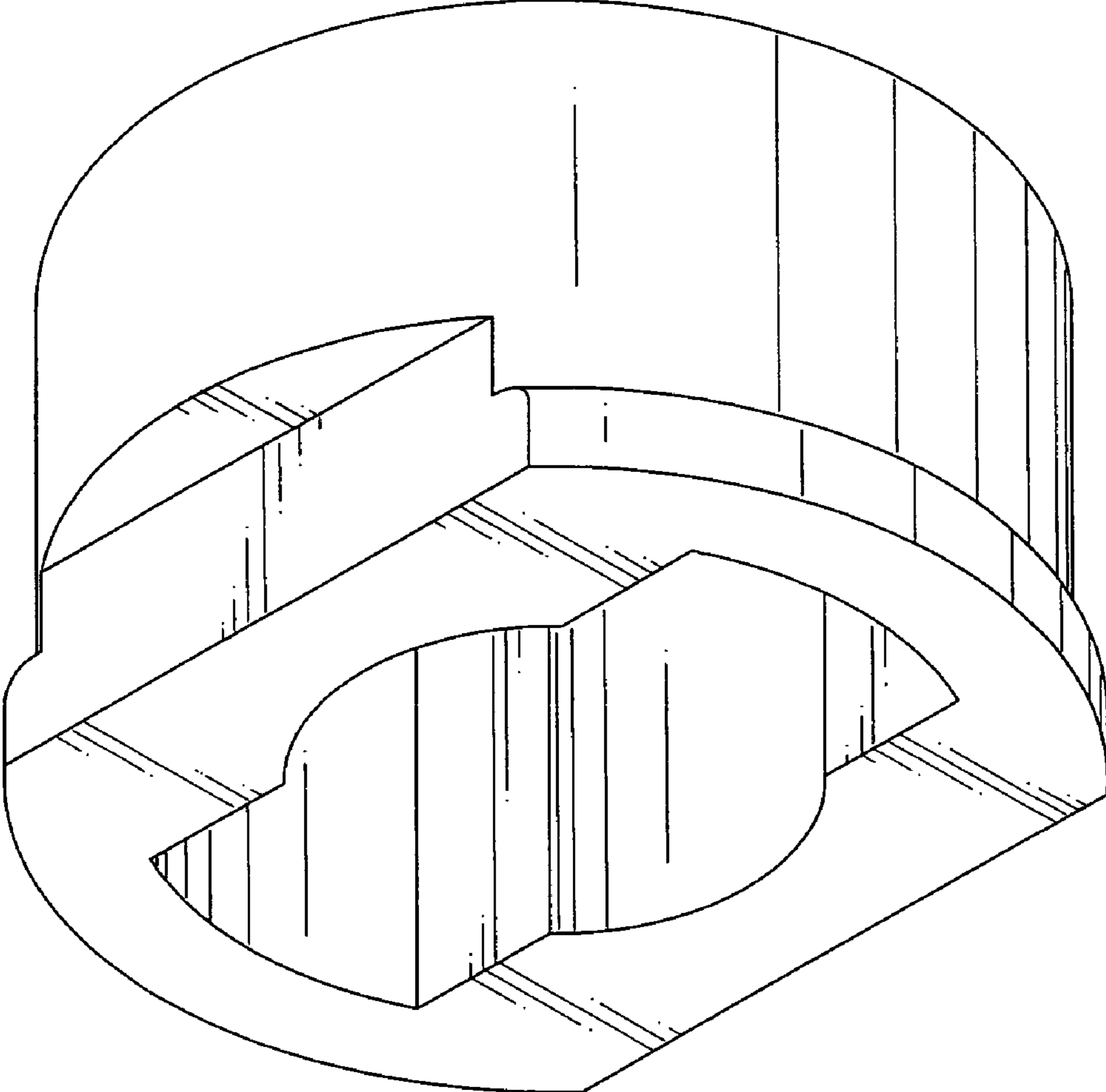


FIG.8