



US00D603048S

(12) **United States Design Patent**  
**Fleck et al.**

(10) **Patent No.:** **US D603,048 S**  
(45) **Date of Patent:** **\*\* Oct. 27, 2009**

(54) **MEDICAL CART**

(75) Inventors: **Steven Fleck**, Carnegie, PA (US);  
**David Szakelyhidi**, Pittsburgh, PA (US);  
**Thomas Kubilius**, Mt. Lebanon, PA  
(US); **Zachary B. Beard**, Pittsburgh, PA  
(US); **Melissa R. Appel**, Pittsburgh, PA  
(US)

(73) Assignee: **ClearCount Medical Solutions, Inc.**,  
Pittsburgh, PA (US)

(\*\*) Term: **14 Years**

(21) Appl. No.: **29/292,137**

(22) Filed: **Sep. 28, 2007**

(51) **LOC (9) Cl.** ..... **24-01**

(52) **U.S. Cl.** ..... **D24/185**

(58) **Field of Classification Search** ..... D24/107,  
D24/164, 169, 172, 185-186, 234; D34/12-27;  
D6/396, 407, 436, 449, 460; 280/47.18,  
280/47.26, 47.34, 33.991, 33.992, 33.993;  
600/300, 301, 368, 372, 437, 481, 529, 544,  
600/554, 561; 248/282.1  
See application file for complete search history.

(56) **References Cited**

**U.S. PATENT DOCUMENTS**

|           |     |         |                  |         |
|-----------|-----|---------|------------------|---------|
| 4,625,731 | A   | 12/1986 | Quedens et al.   |         |
| D347,896  | S * | 6/1994  | Dickinson et al. | D24/185 |
| D367,534  | S   | 2/1996  | DiPerna et al.   |         |
| D387,168  | S * | 12/1997 | Edelman et al.   | D24/186 |
| D389,917  | S   | 1/1998  | Hornback et al.  |         |
| D410,544  | S   | 6/1999  | Metzler et al.   |         |
| D438,952  | S   | 3/2001  | Cimino et al.    |         |
| D459,477  | S * | 6/2002  | Stocks et al.    | D24/164 |
| D465,895  | S * | 11/2002 | Pfefferle et al. | D34/19  |
| D467,001  | S   | 12/2002 | Buczek et al.    |         |

|           |      |         |                    |           |
|-----------|------|---------|--------------------|-----------|
| 6,626,445 | B2   | 9/2003  | Murphy et al.      |           |
| 6,629,927 | B1 * | 10/2003 | Mesaros et al.     | 600/437   |
| D486,915  | S    | 2/2004  | Warschewske et al. |           |
| D517,768  | S    | 3/2006  | Arceta             |           |
| D518,267  | S    | 3/2006  | Arceta             |           |
| D525,592  | S    | 7/2006  | Nguyen             |           |
| D539,794  | S    | 4/2007  | Rossini et al.     |           |
| D541,942  | S *  | 5/2007  | Hirson et al.      | D24/185   |
| D544,103  | S    | 6/2007  | Meziere            |           |
| D557,421  | S    | 12/2007 | Fleck et al.       |           |
| D568,481  | S *  | 5/2008  | Martinson          | D24/185   |
| 7,461,825 | B2 * | 12/2008 | Olivera et al.     | 248/282.1 |

\* cited by examiner

*Primary Examiner*—T. Chase Nelson

*Assistant Examiner*—Mark Cavanna

(74) *Attorney, Agent, or Firm*—Jones Day; Edward L. Pencoske

(57) **CLAIM**

The ornamental design for a medical cart, as shown and described.

**DESCRIPTION**

FIG. 1 is a perspective view of a medical cart depicting our new design.

FIG. 2 is a front elevation thereof.

FIG. 3 is a rear elevation thereof.

FIG. 4 is a left-side elevation thereof.

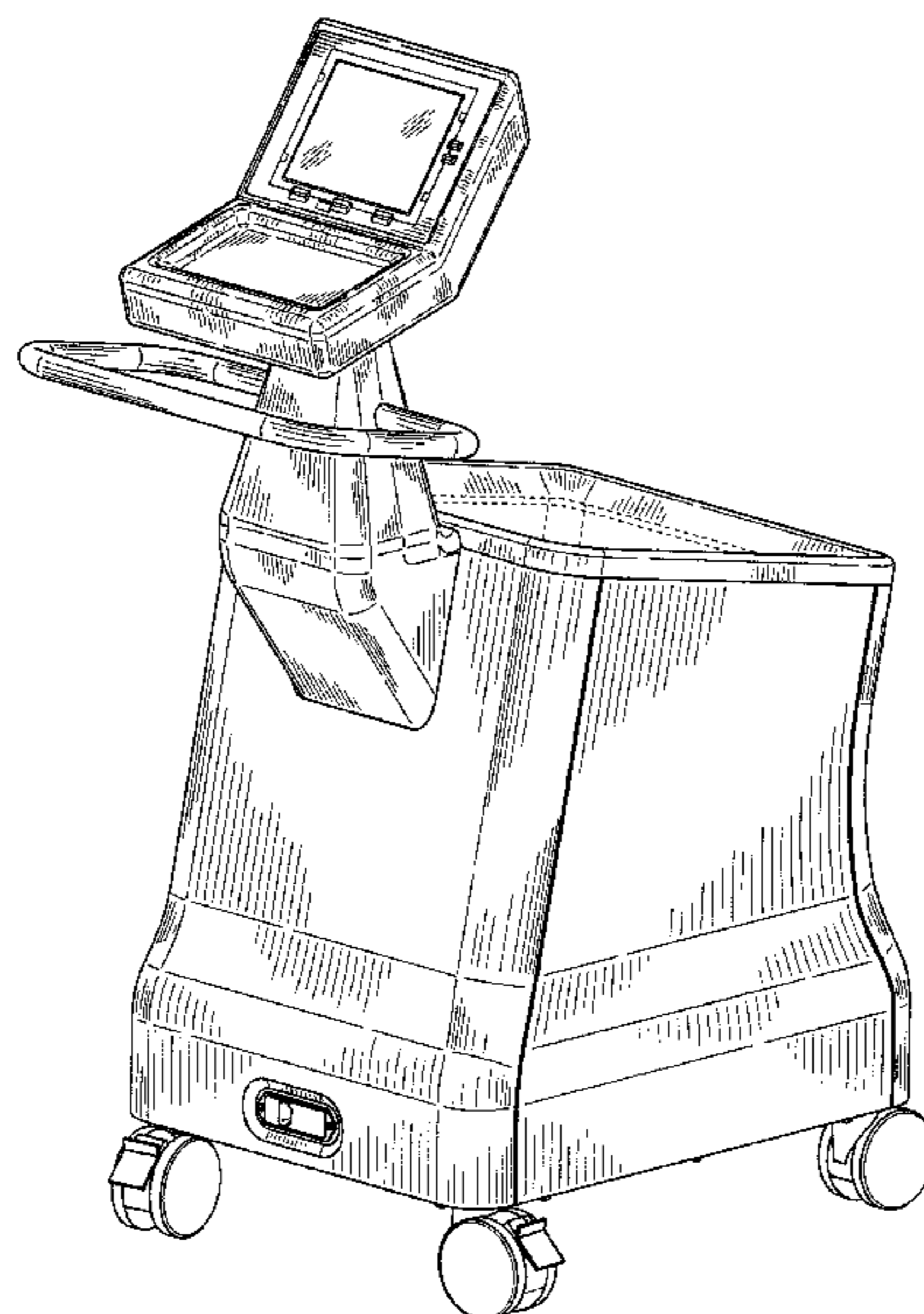
FIG. 5 is a right-side elevation thereof.

FIG. 6 is a top plan view thereof; and,

FIG. 7 is a bottom plan view thereof.

The broken are included for the purpose of illustrating a portion of the medical cart that forms no part of the claimed design.

**1 Claim, 6 Drawing Sheets**



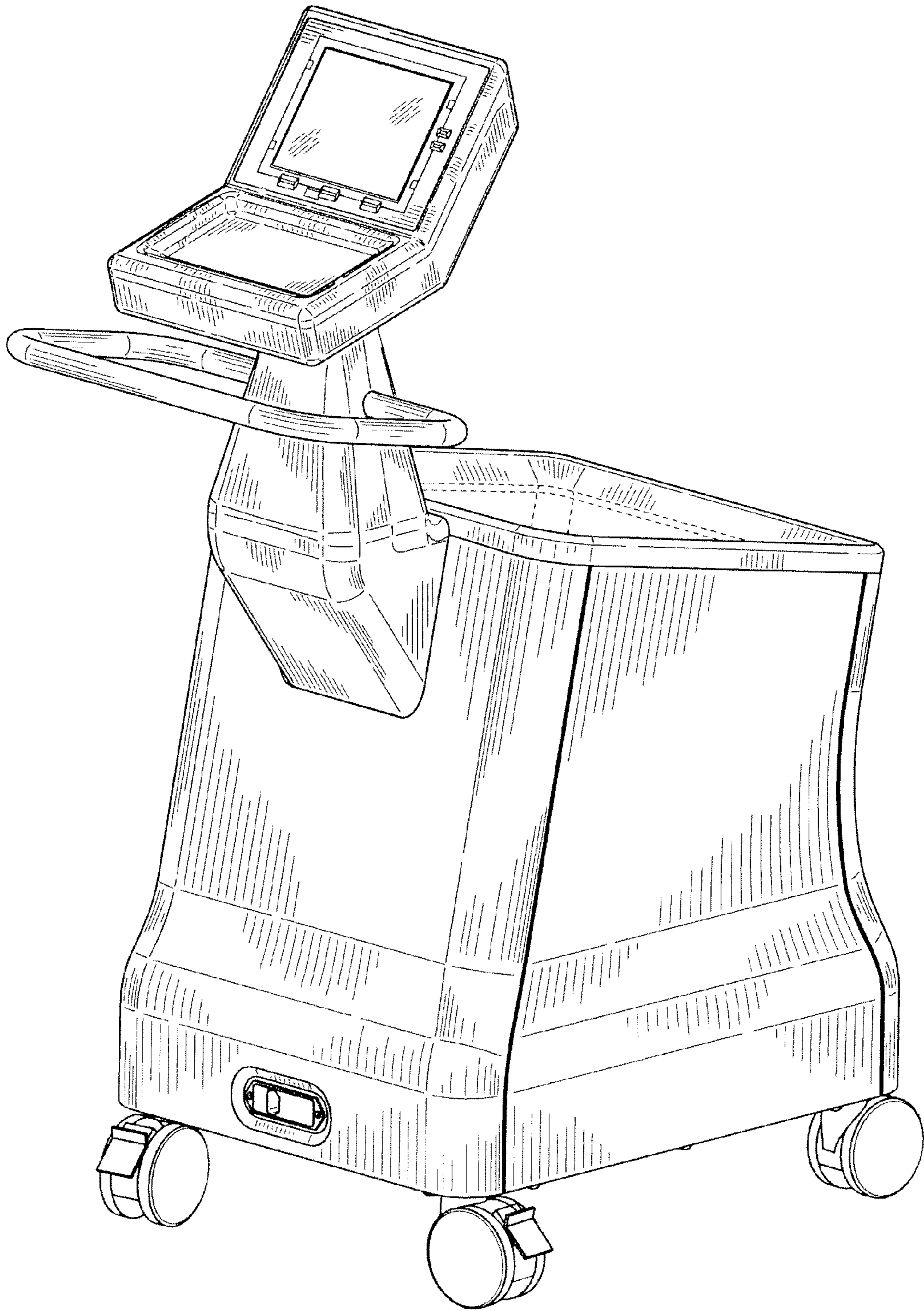


FIG. 1

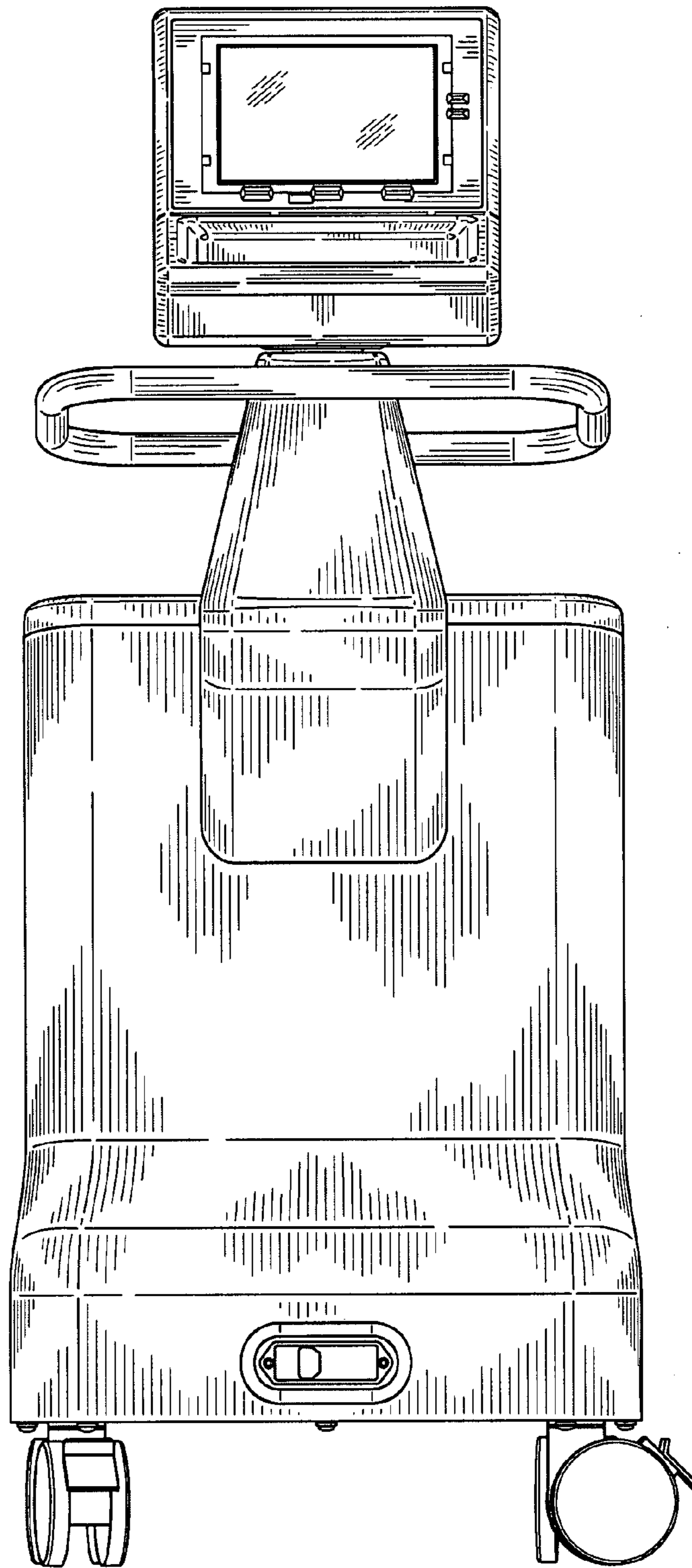


FIG. 2

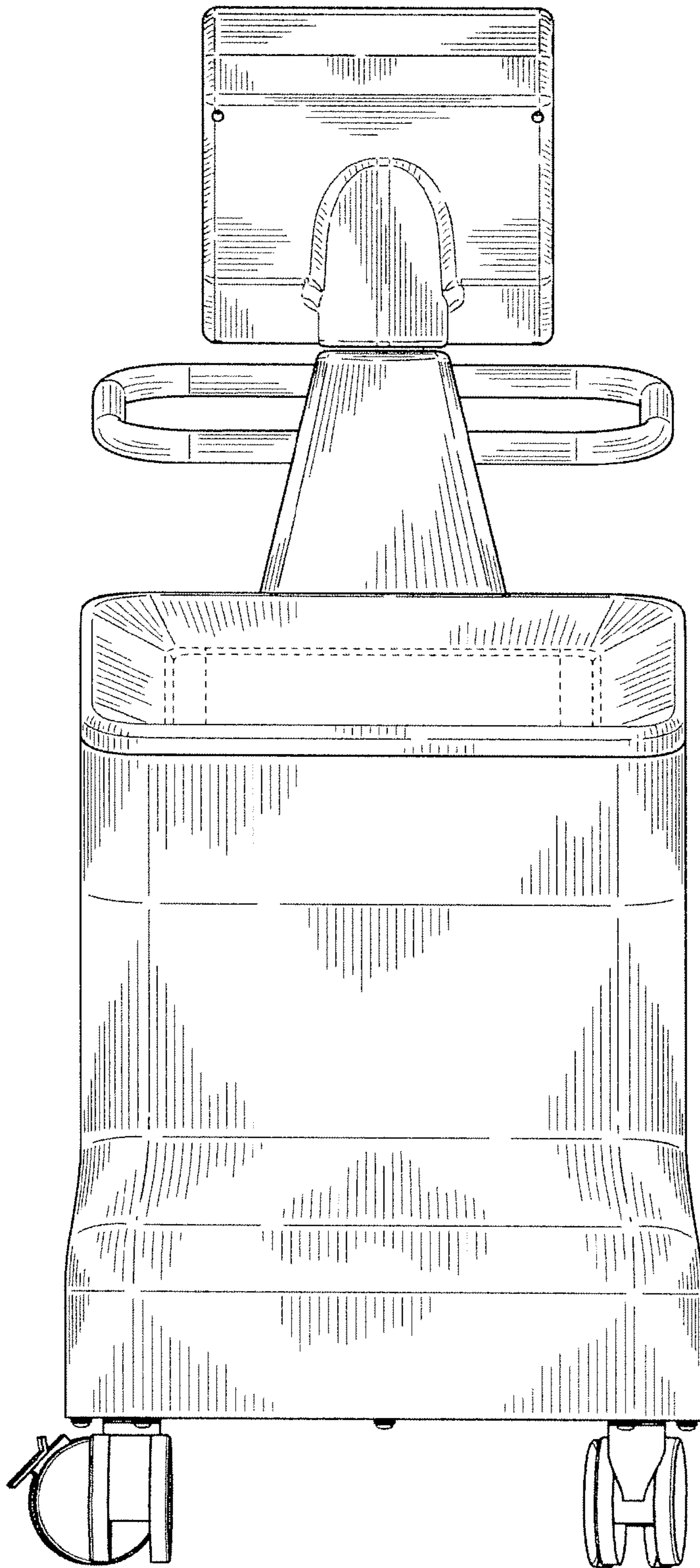


FIG. 3

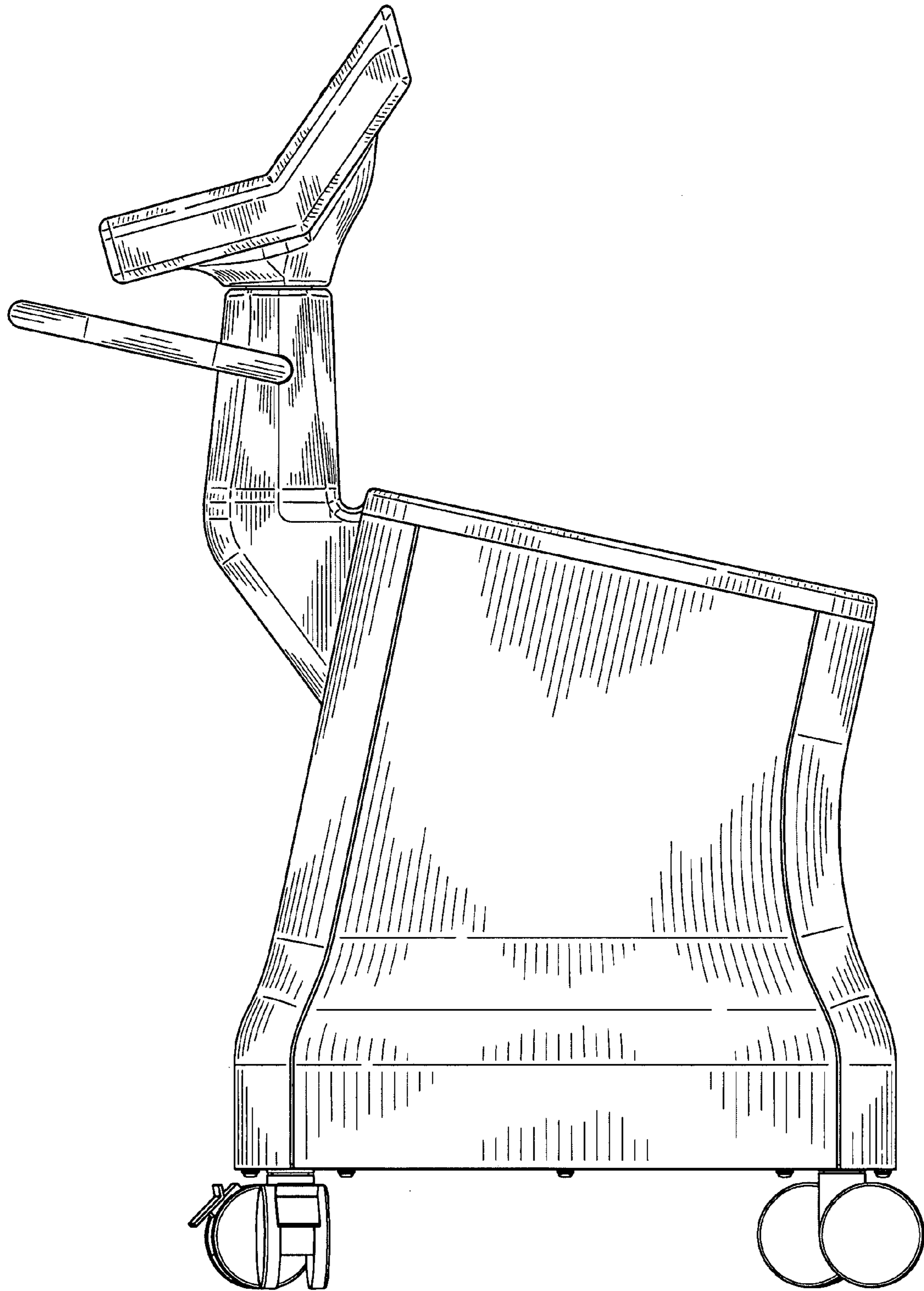


FIG. 4

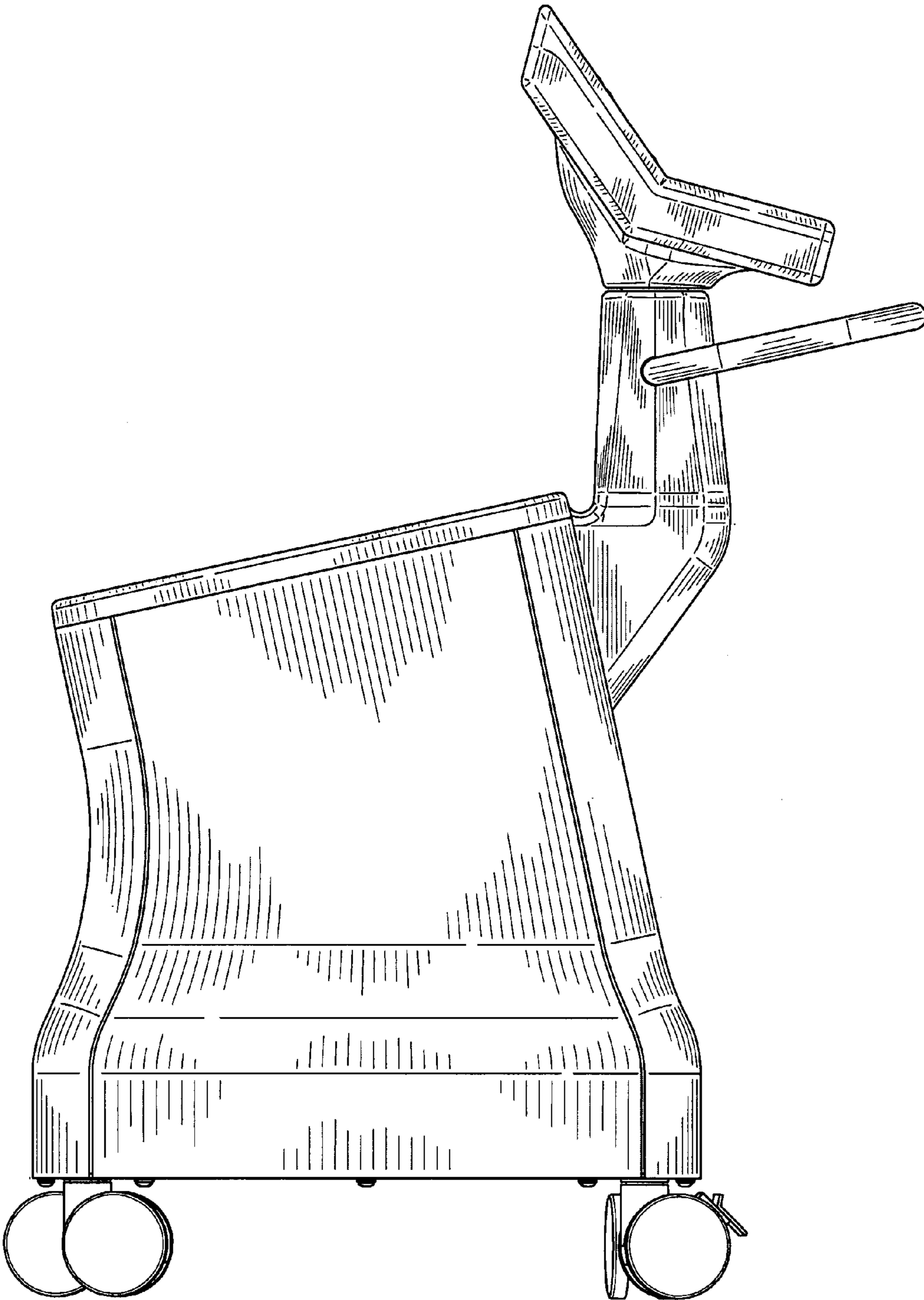


FIG. 5

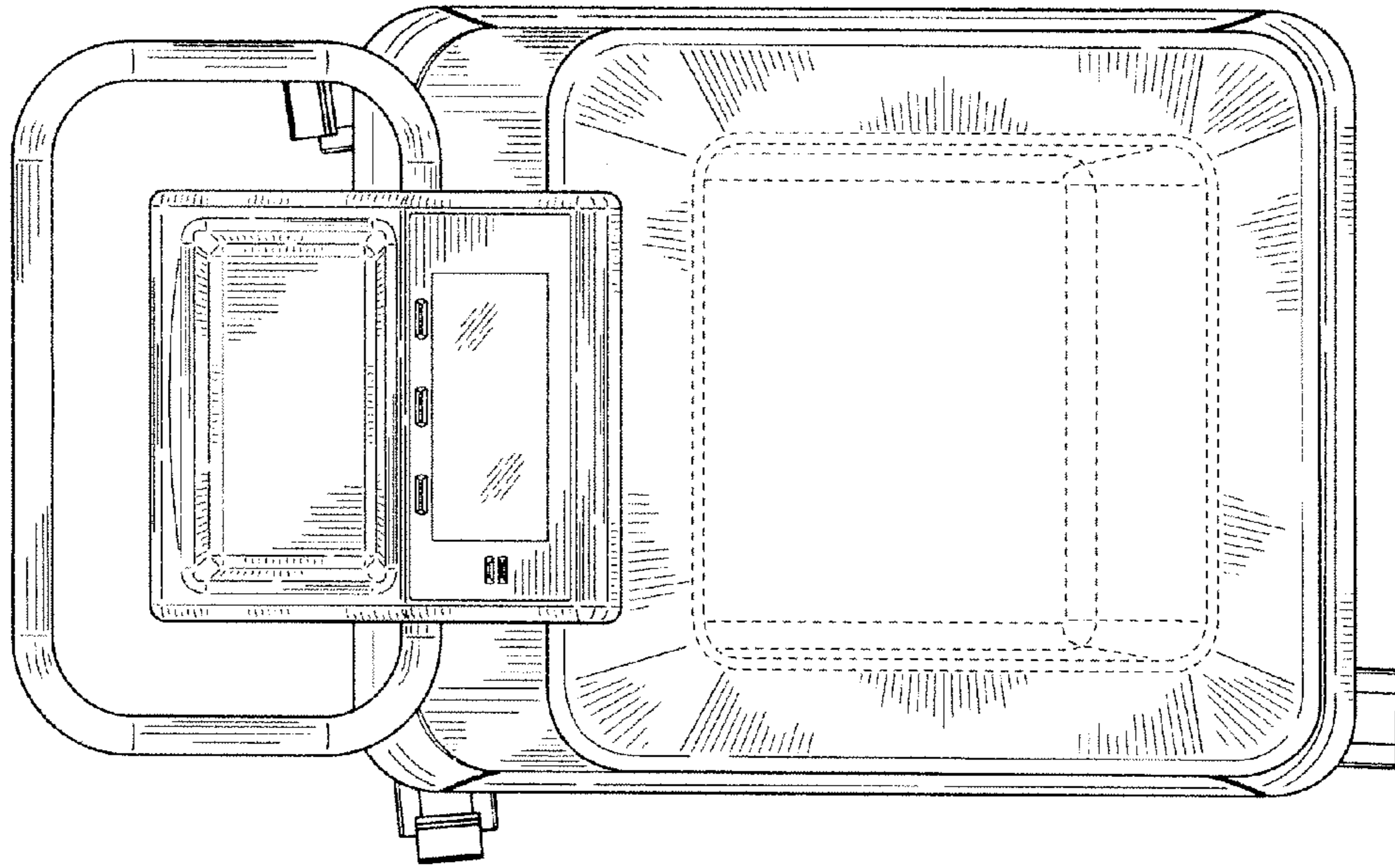


FIG. 6

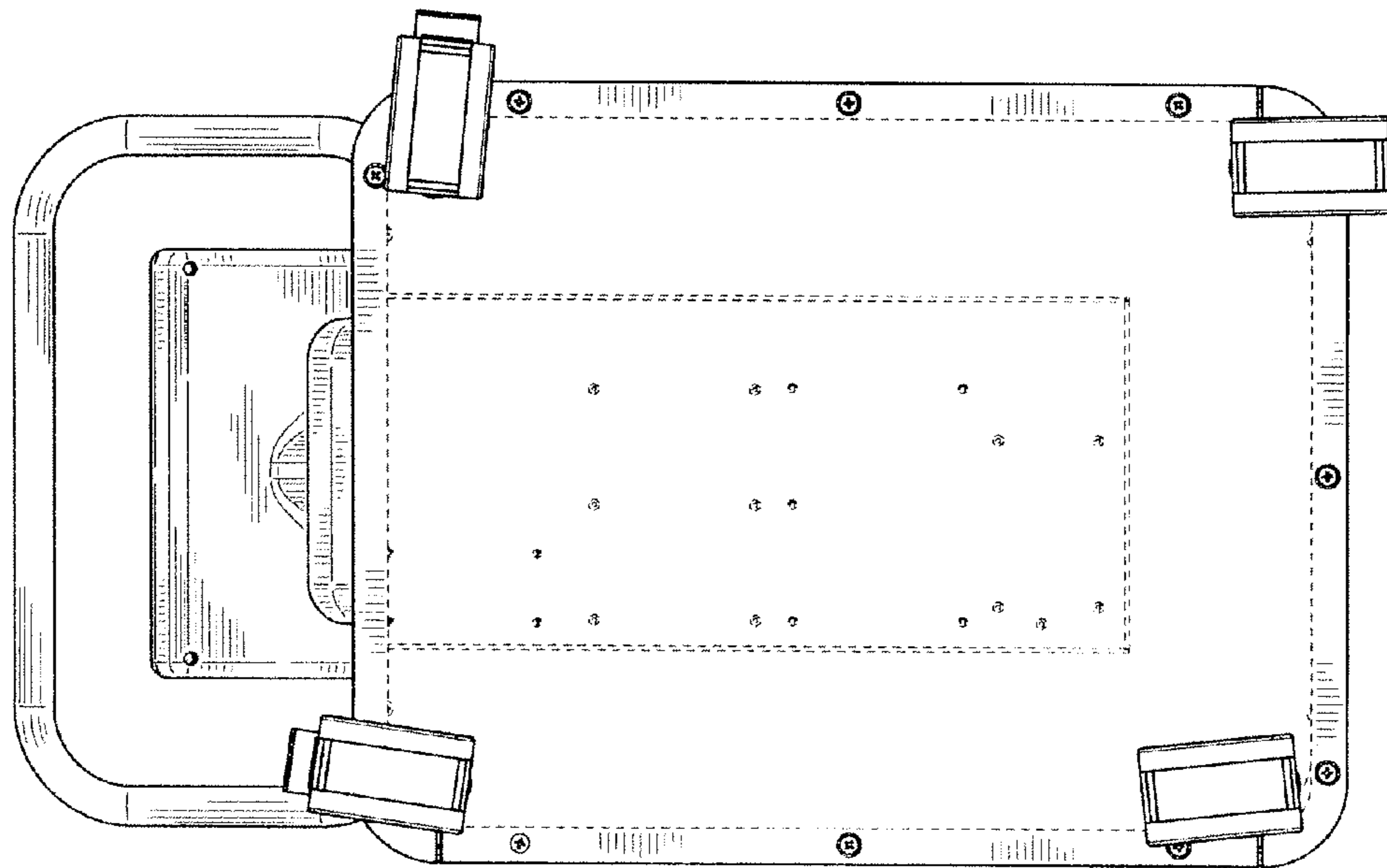


FIG. 7