



US00D603047S

(12) **United States Design Patent**  
**Mordaunt et al.**

(10) **Patent No.:** **US D603,047 S**  
(45) **Date of Patent:** **\*\* Oct. 27, 2009**

(54) **PHOTOCOAGULATOR TABLE**

(75) Inventors: **David Haydn Mordaunt**, Los Gatos, CA (US); **Dale G. Brown**, Pleasant View, UT (US)

(73) Assignee: **Optimedica Corporation**, Santa Clara, CA (US)

(\*\*) Term: **14 Years**

(21) Appl. No.: **29/266,400**

(22) Filed: **Sep. 19, 2006**

(51) **LOC (9) Cl.** ..... **24-01**

(52) **U.S. Cl.** ..... **D24/172**

(58) **Field of Classification Search** ..... D24/172, D24/185; D6/422, 423, 425, 426, 427; 606/4; 351/206, 209, 210, 245; 312/194, 196  
See application file for complete search history.

(56) **References Cited**

**U.S. PATENT DOCUMENTS**

D222,584 S *	11/1971	Lieberman	.....	D24/172
D254,933 S	5/1980	Muller		
D295,556 S	5/1988	Speaker		
D299,745 S	2/1989	Sasaki et al.		
5,424,788 A	6/1995	Satake et al.		
D360,465 S	7/1995	Niven		
5,488,443 A	1/1996	Ota et al.		
D367,568 S *	3/1996	Strayer	.....	D6/422
5,795,351 A *	8/1998	Clapham	.....	606/4

D410,661 S	6/1999	Wolf		
6,149,643 A *	11/2000	Herekar et al.	.....	606/4
D435,658 S	12/2000	Lobel et al.		
D447,567 S *	9/2001	Murphy et al.	.....	D24/172
6,652,511 B1	11/2003	Tomita		

\* cited by examiner

*Primary Examiner*—T. Chase Nelson

*Assistant Examiner*—Anhdao Doan

(74) *Attorney, Agent, or Firm*—DLA Piper LLP (US)

(57) **CLAIM**

We claim the ornamental design for a photocoagulator table, as shown and described.

**DESCRIPTION**

FIG. 1 is a perspective view of a photocoagulator table showing the new design;

FIG. 2 is a side view thereof;

FIG. 3 is an opposing side view thereof;

FIG. 4 is a front view thereof;

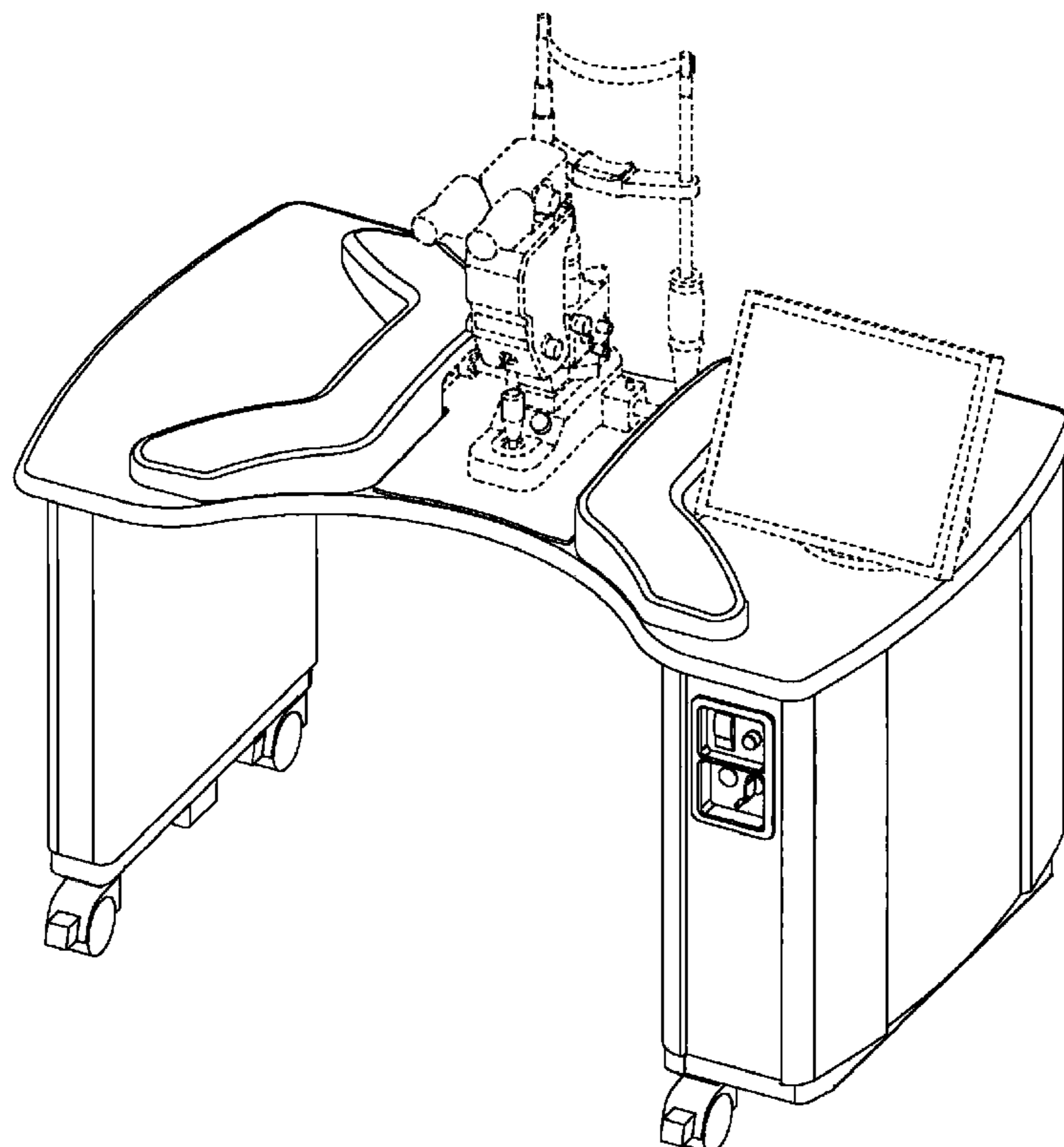
FIG. 5 is a back view thereof;

FIG. 6 is a top view thereof; and,

FIG. 7 is a bottom view thereof.

The broken lines illustrated in FIGS. 1–7 represent environmental structure, which is not considered a part of the claimed design.

**1 Claim, 7 Drawing Sheets**



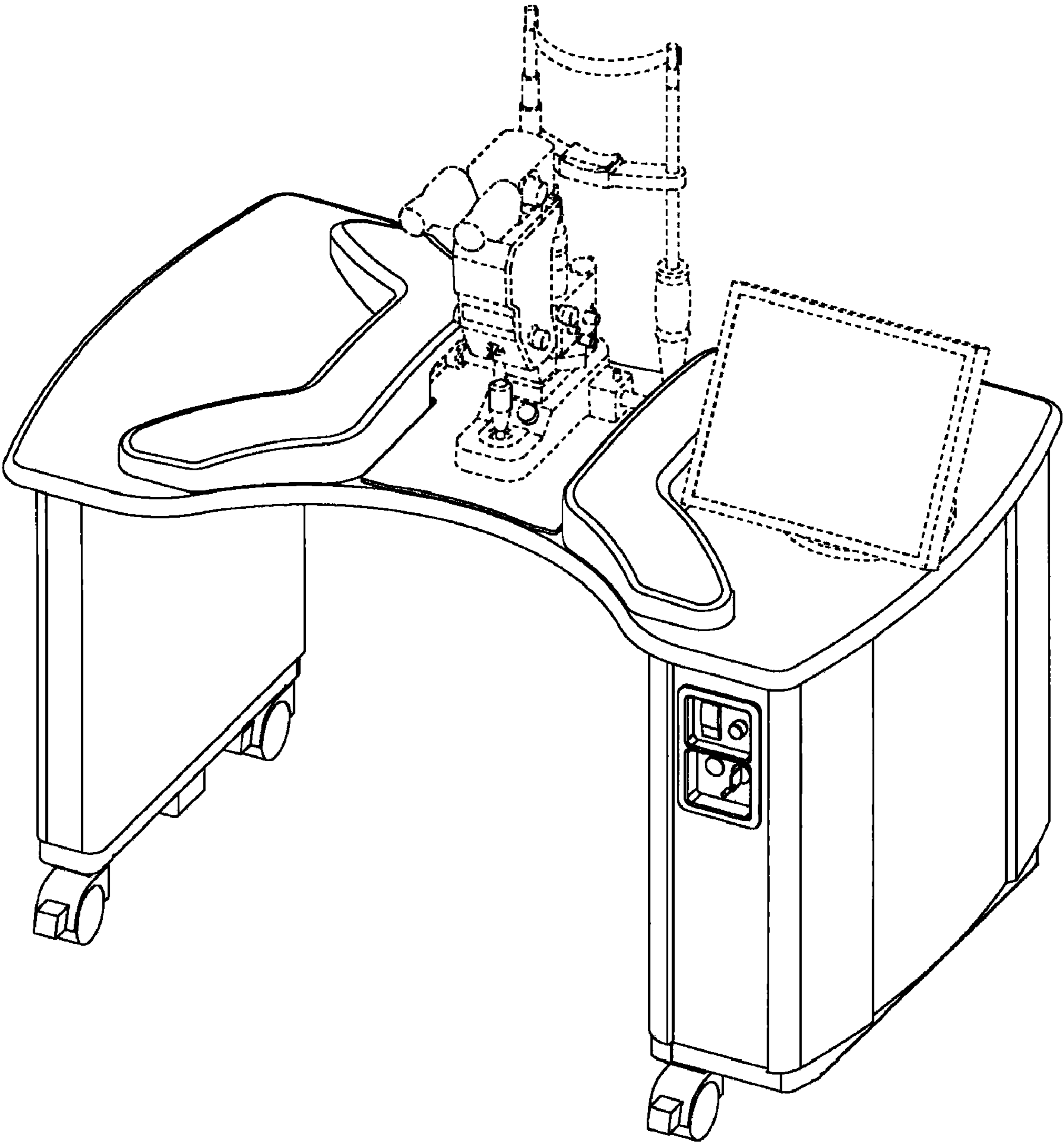


FIG. 1

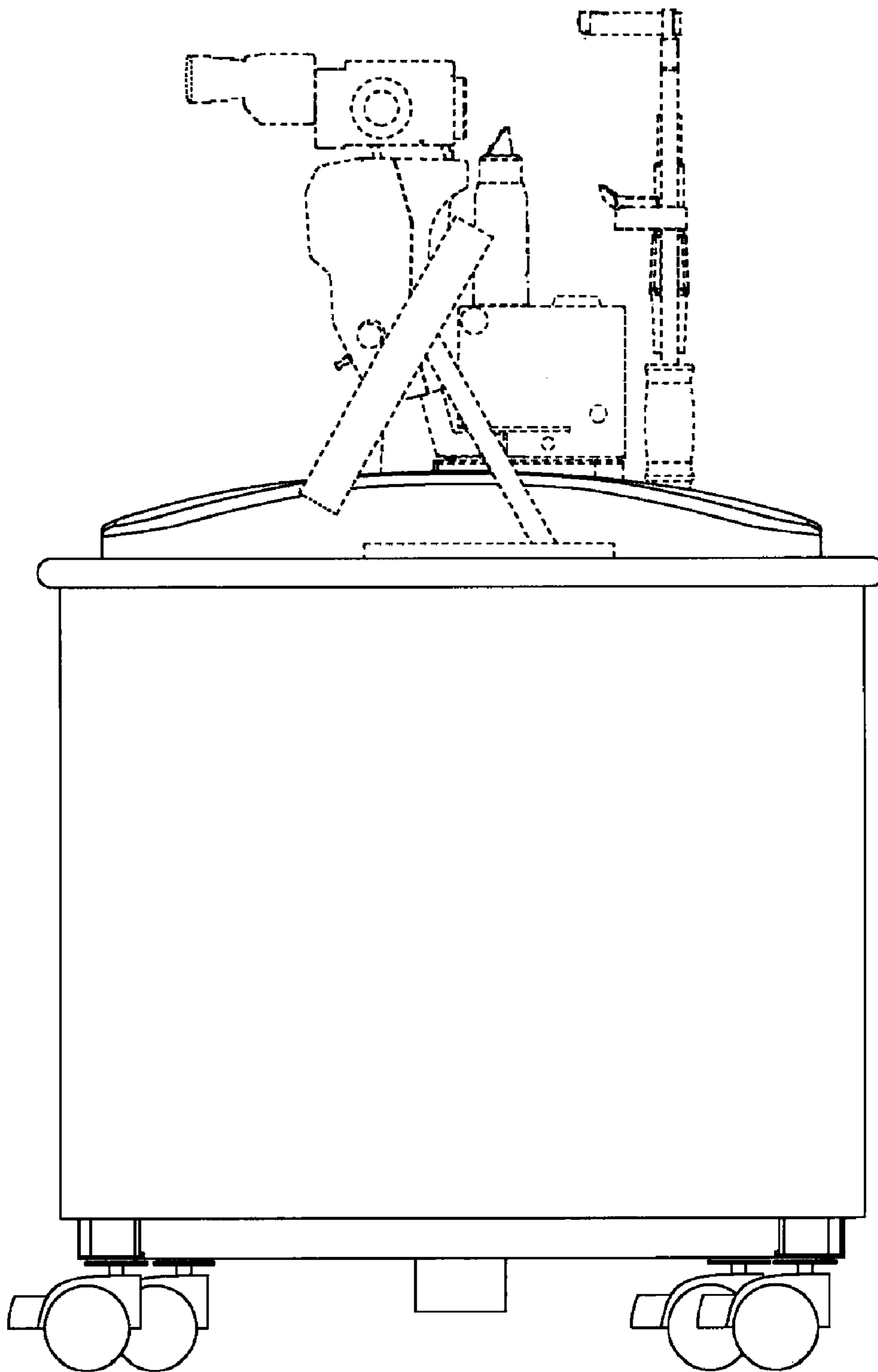


FIG. 2

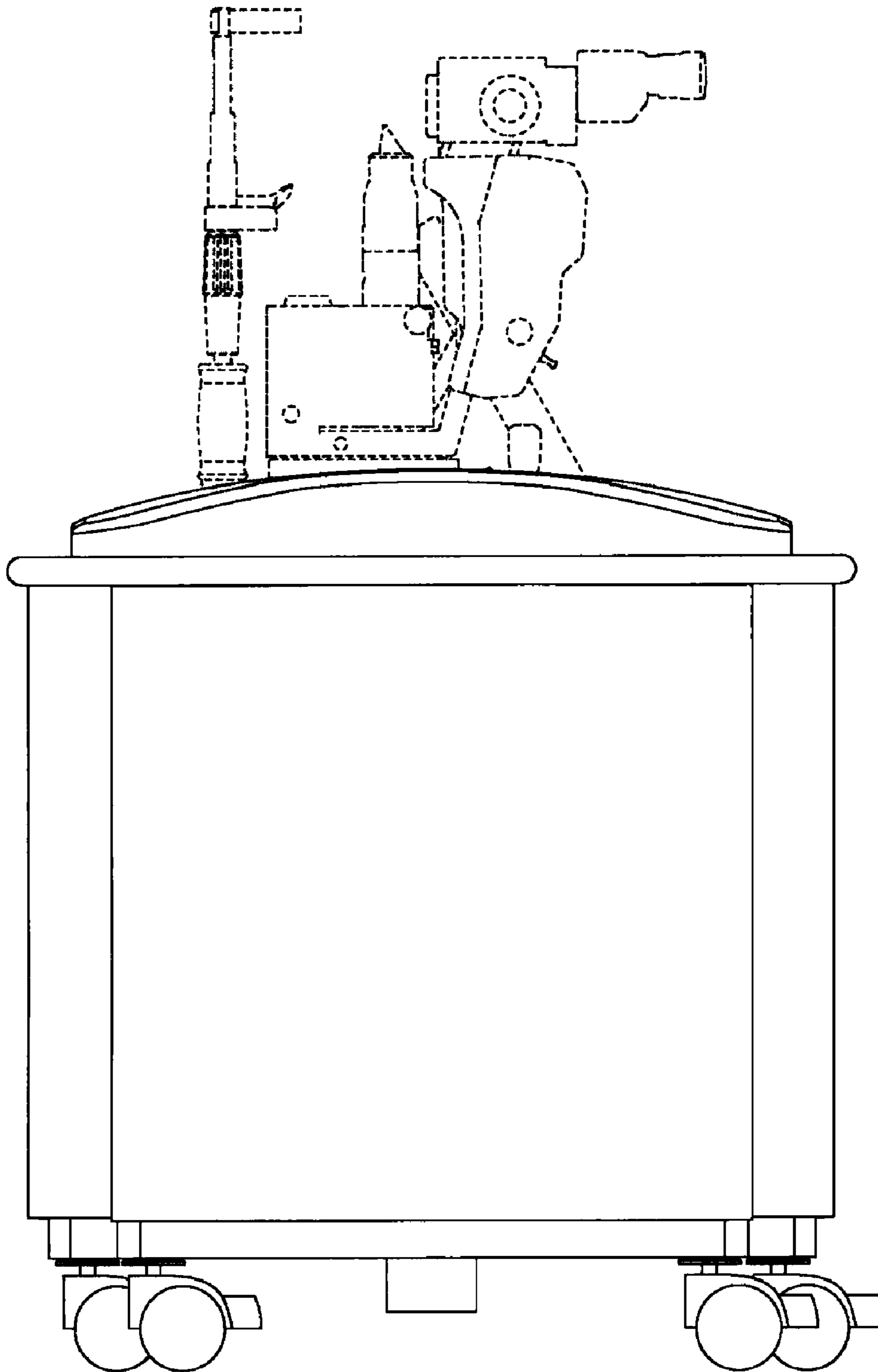


FIG. 3

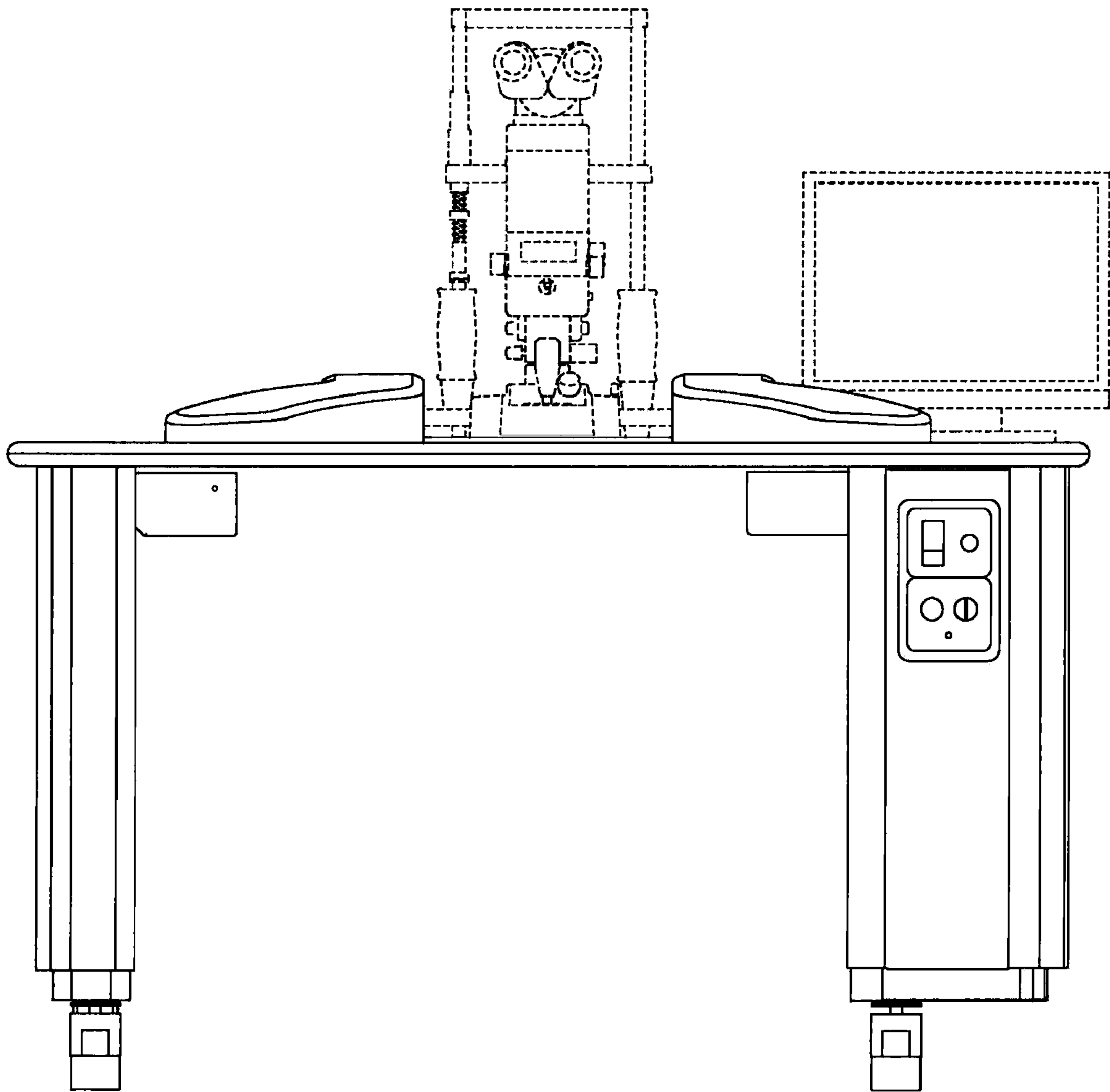


FIG. 4

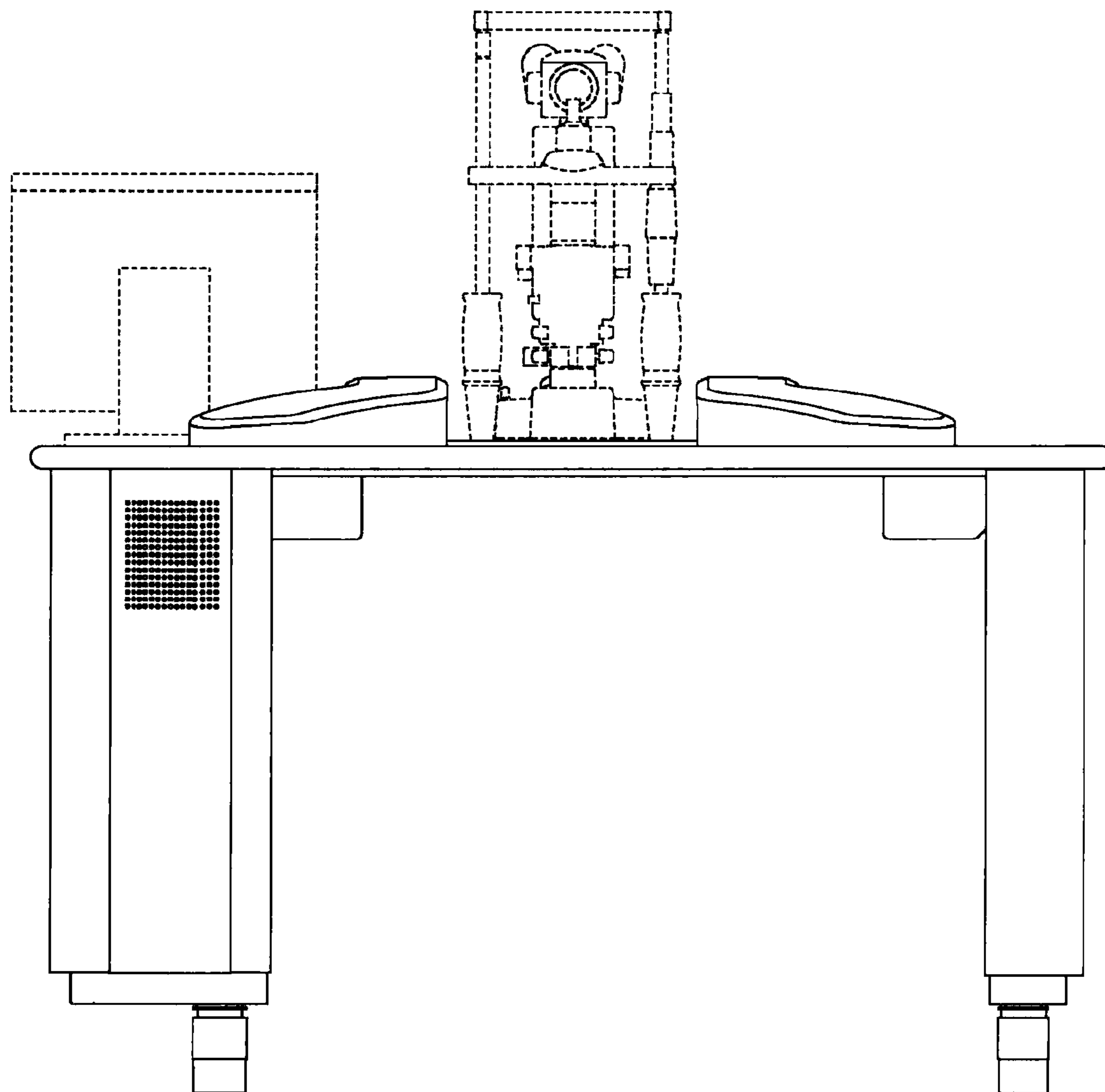


FIG. 5

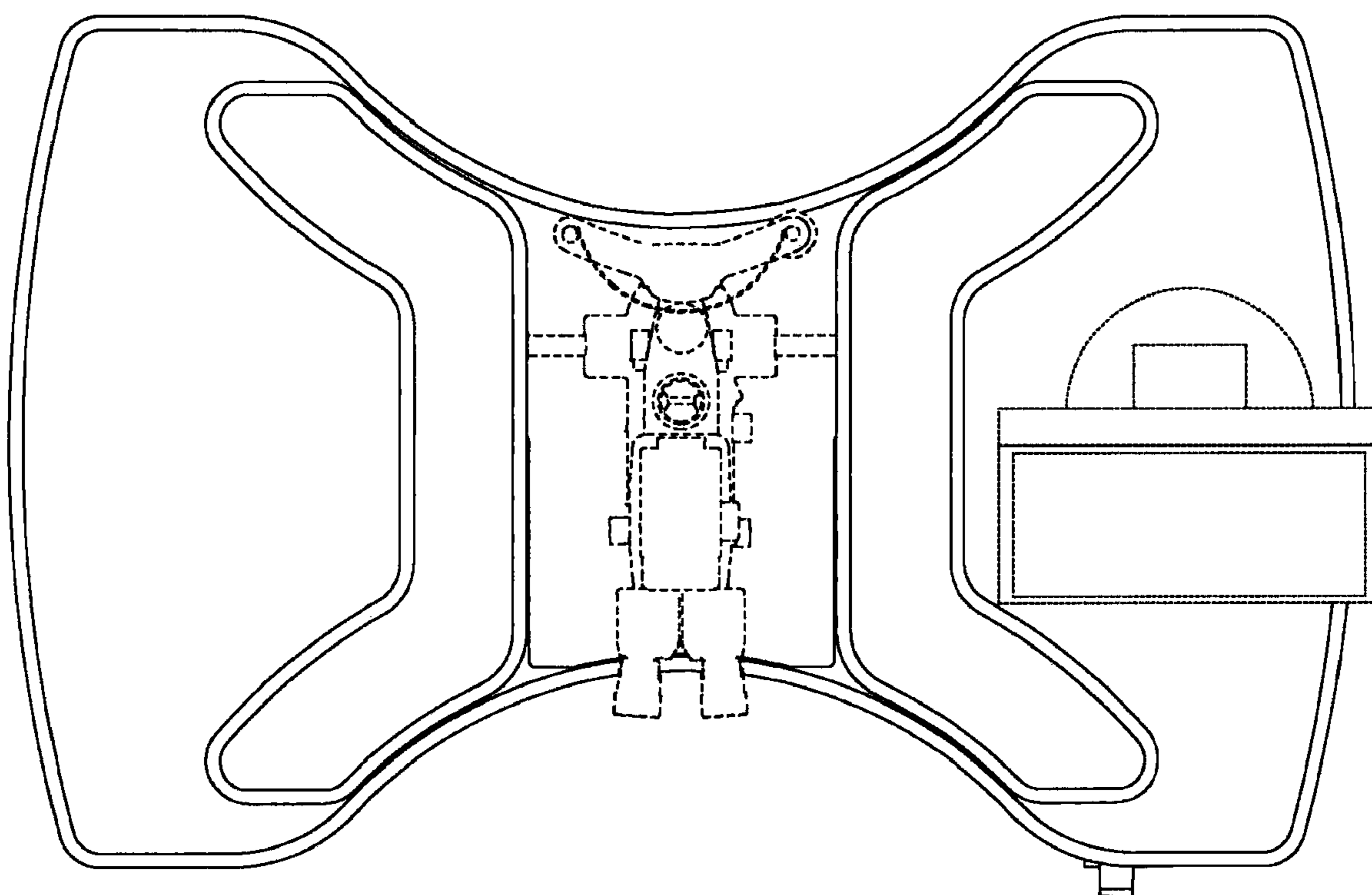


FIG. 6

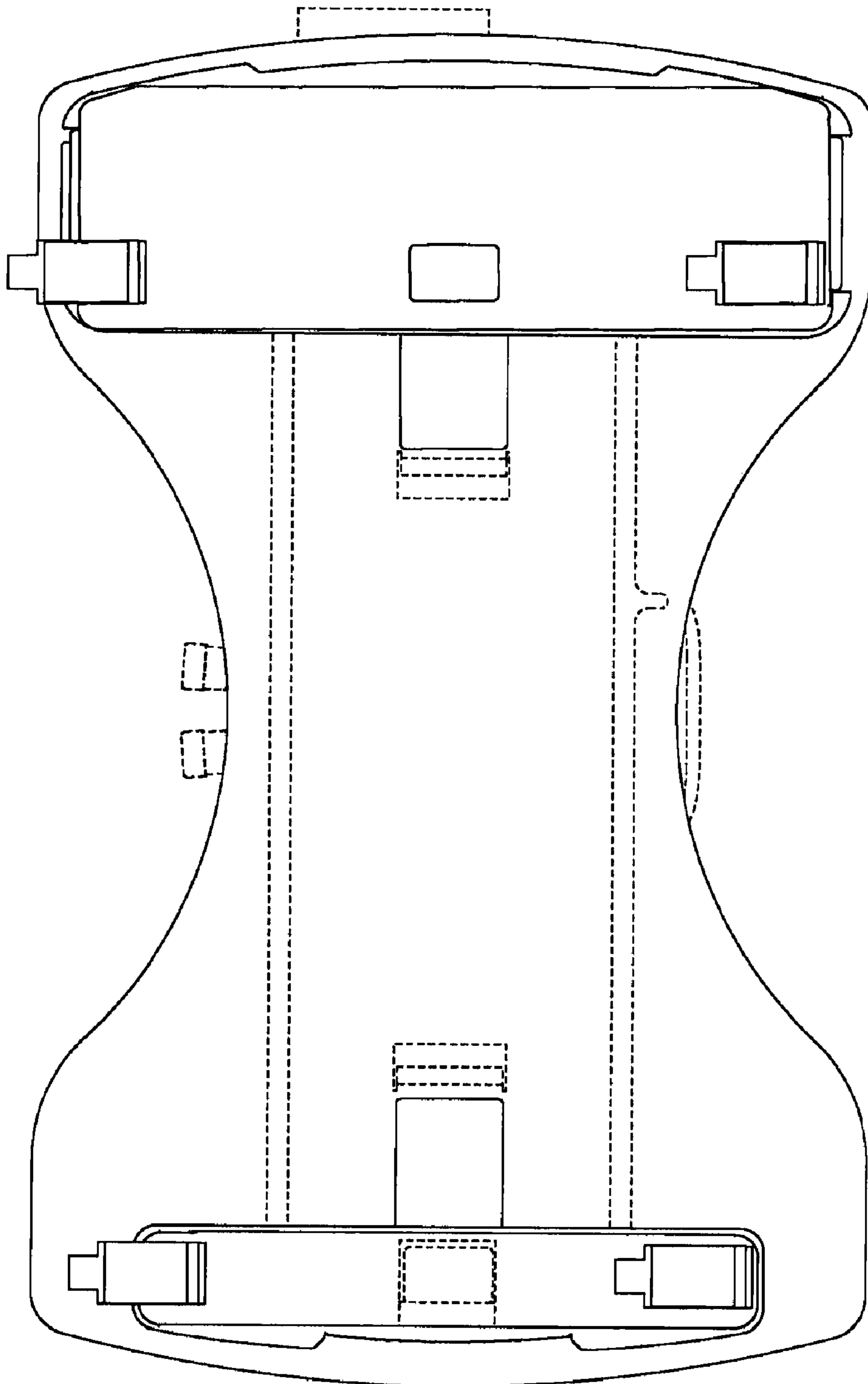


FIG. 7