



US00D603038S

(12) **United States Design Patent**
Kortesuo et al.

(10) **Patent No.:** **US D603,038 S**
(45) **Date of Patent:** **** Oct. 27, 2009**

(54) **INTRAUTERINE DEVICE**

(75) Inventors: **Pirjo Kortesuo**, Parainen (FI); **Ulla Calvo Alonso**, Piispanristi (FI); **Pirjo Inki**, Kaarina (FI); **Harri Jukarainen**, Kuusisto (FI); **Ilkka Jutila**, Littoinen (FI); **Juha Lehtinen**, Turku (FI); **Eeva Lukkari-Lax**, Espoo (FI); **Heikki Lyytikainen**, Naantali (FI); **Joachim Moede**, Turku (FI); **Hannu Nikander**, Paattinen (FI); **Pirjo Sallinen**, Berlin (DE); **Taina Tjader**, Littoinen (FI); **Andrew MacLeod**, Harston (GB); **Michael Nobel**, London (GB); **David Whitaker**, London (GB)

(73) Assignee: **Bayer Schering Pharma Oy**, Turku (FI)

(**) Term: **14 Years**

(21) Appl. No.: **29/309,745**

(22) Filed: **Oct. 1, 2008**

(30) **Foreign Application Priority Data**

Apr. 2, 2008 (EM) 000907548-0001
Apr. 2, 2008 (EM) 000907548-0032

(51) **LOC (9) Cl.** **28-01**

(52) **U.S. Cl.** **D24/105**

(58) **Field of Classification Search** D24/105;
128/833, 830, 832, 831, 839; 604/515
See application file for complete search history.

(56) **References Cited**

U.S. PATENT DOCUMENTS

3,407,806 A * 10/1968 Hulka et al. 128/840

3,431,906 A * 3/1969 Taylor 128/839
3,442,266 A * 5/1969 Krejci et al. 128/839
D216,522 S * 1/1970 Sylvanus D24/135
D241,078 S * 8/1976 Okamoto et al. D24/105
D525,705 S * 7/2006 Luukkainen D24/105
D526,408 S * 8/2006 Luukkainen D24/105

* cited by examiner

Primary Examiner—Ian Simmons

Assistant Examiner—Christopher Lee

(74) *Attorney, Agent, or Firm*—Birch, Stewart, Kolasch & Birch, LLP

(57) **CLAIM**

The ornamental design for an intrauterine device, as shown and described.

DESCRIPTION

FIG. 1 is a perspective view of a first embodiment of an intrauterine device showing our new design;

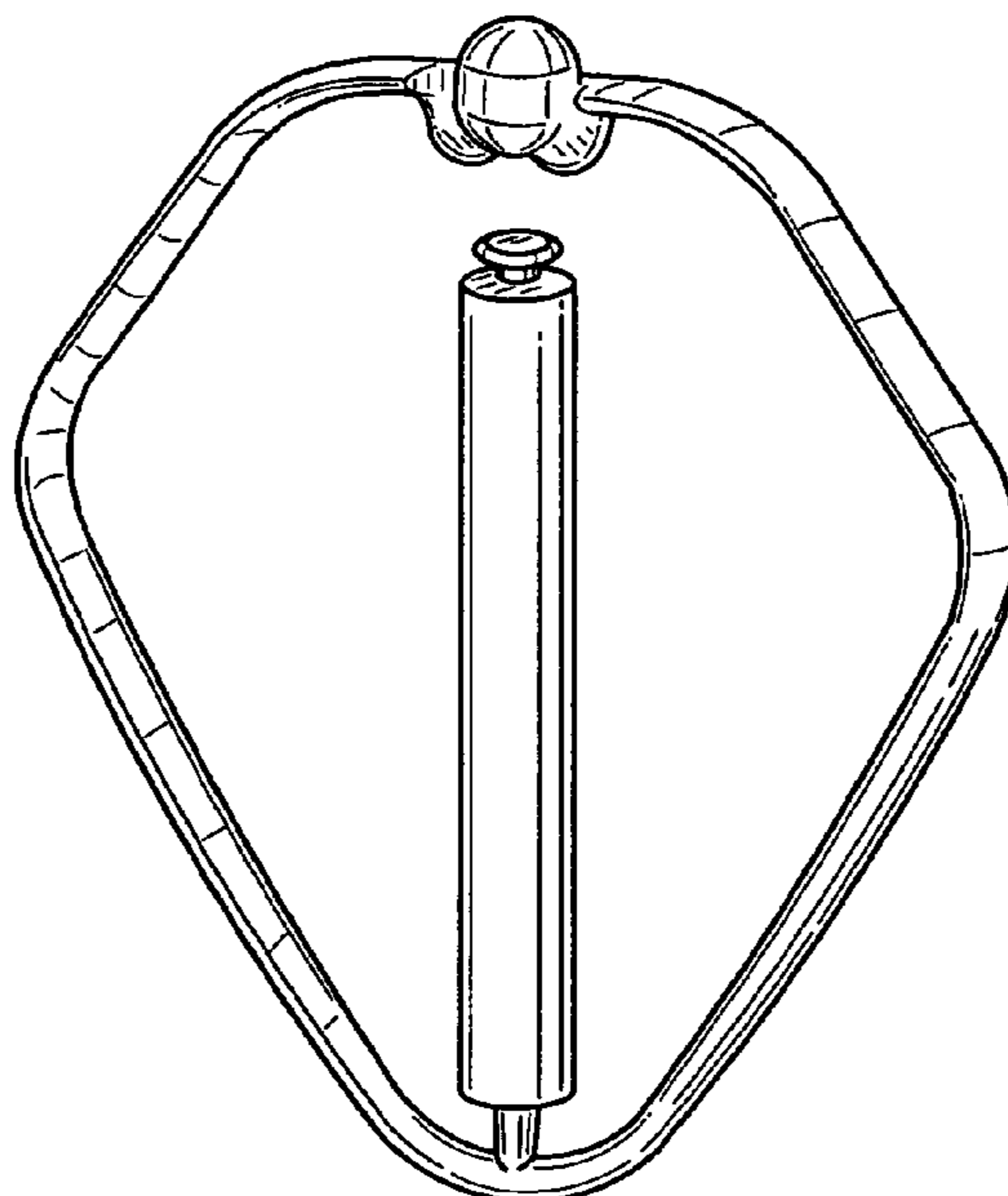
FIG. 2 is a front view thereof, a rear view being identical thereto;

FIG. 3 is a right side view thereof, a left side view being identical thereto;

FIG. 4 is a top view thereof; and,

FIG. 5 is a bottom view thereof.

1 Claim, 2 Drawing Sheets



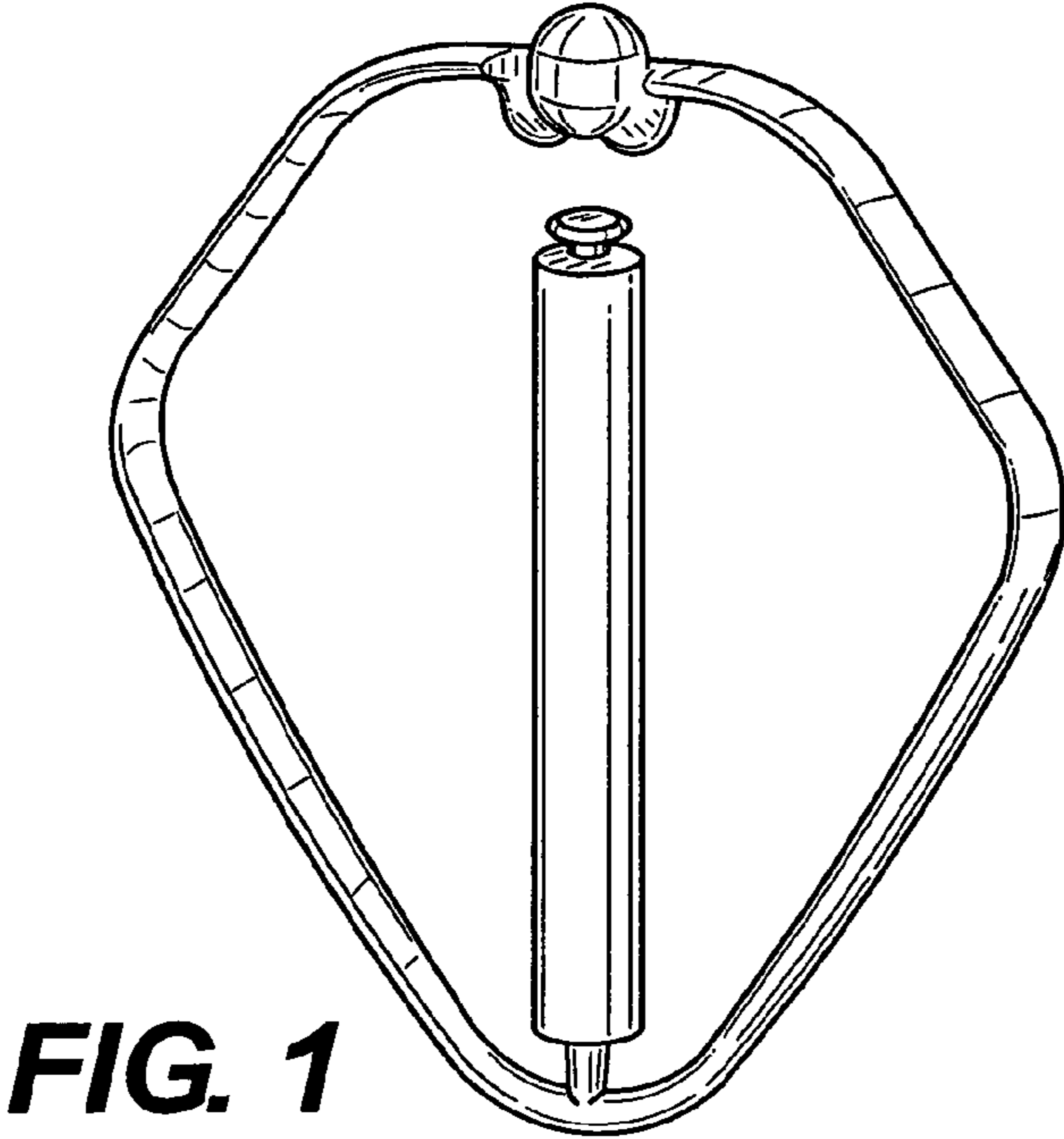


FIG. 1

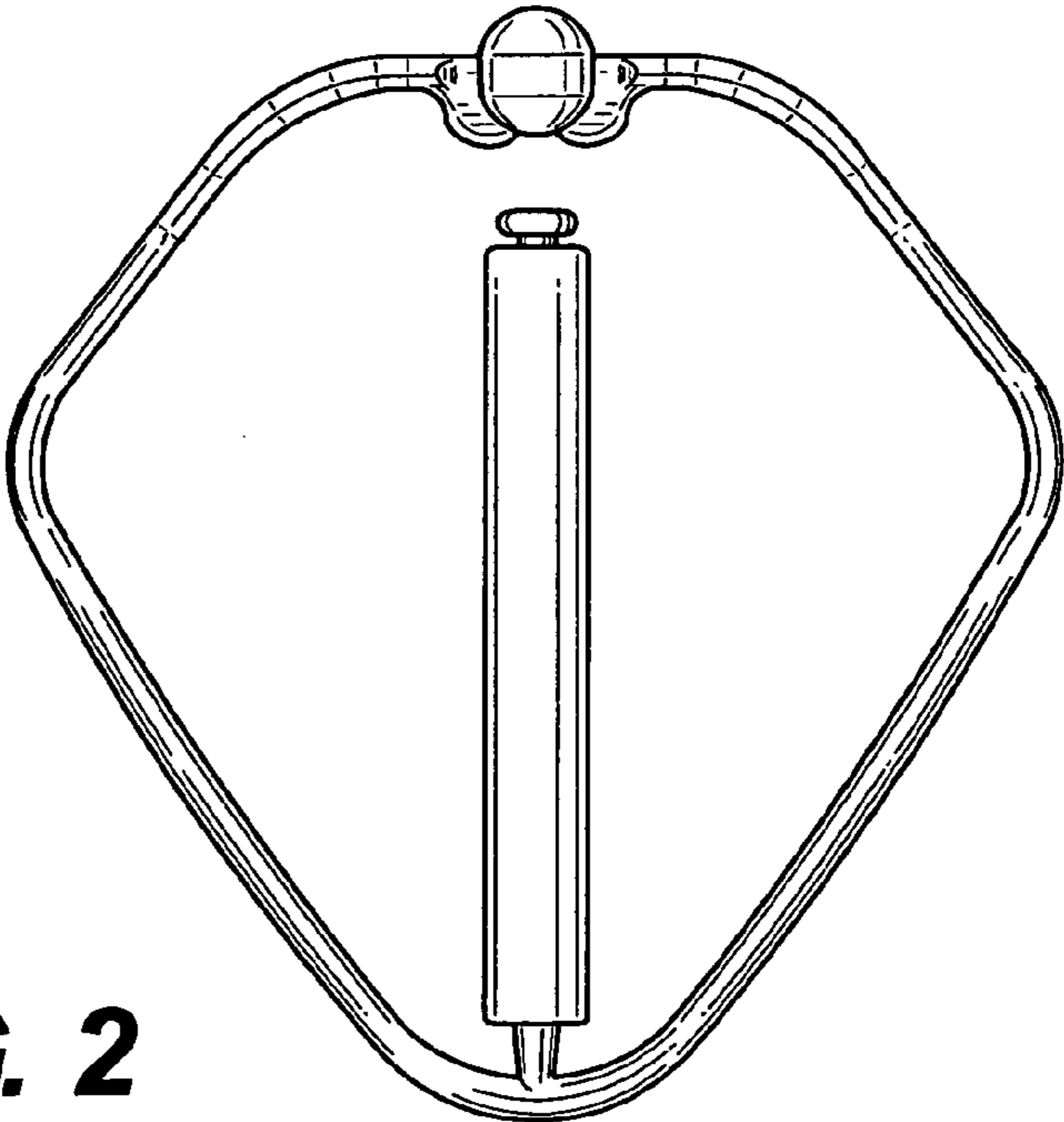


FIG. 2

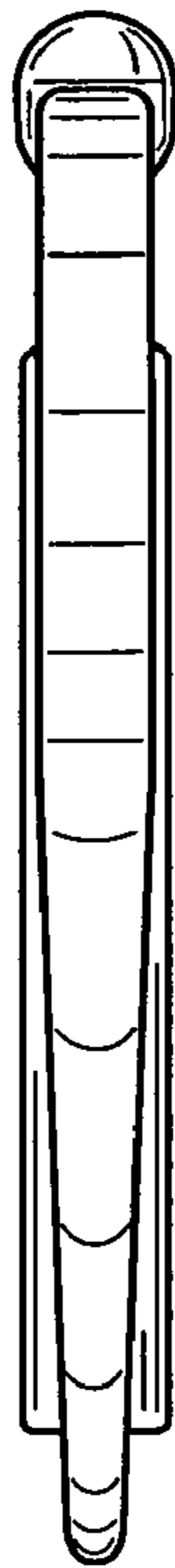


FIG. 3



FIG. 4



FIG. 5