



US00D603034S

(12) **United States Design Patent**
Thompson

(10) **Patent No.:** **US D603,034 S**

(45) **Date of Patent:** **** Oct. 27, 2009**

(54) **PLUG IN WARMER ASSEMBLY FOR WAXES AND OILS**

D522,642 S * 6/2006 Matsuda et al. D23/366
D535,376 S * 1/2007 Michaels et al. D23/366
D544,084 S * 6/2007 Michaels et al. D23/366

(75) Inventor: **Richard Orville Thompson**, Eagle, ID (US)

* cited by examiner

(73) Assignee: **Scentsy, Inc.**, Meridian, ID (US)

Primary Examiner—Sandra Snapp

(**) Term: **14 Years**

(74) *Attorney, Agent, or Firm*—Perkins Coie LLP

(21) Appl. No.: **29/336,805**

(57) **CLAIM**

(22) Filed: **May 8, 2009**

The ornamental designs for the plug in warmer assembly for waxes and oils, as shown and described.

Related U.S. Application Data

(62) Division of application No. 29/326,998, filed on Oct. 28, 2008.

DESCRIPTION

(51) **LOC (9) Cl.** **28-99**

FIG. 1 is an isometric view of a plug in warmer assembly for waxes and oils showing my new design.

(52) **U.S. Cl.** **D23/366**

FIG. 2 is a left side view of the design. The right side view is a mirror image of the left side view.

(58) **Field of Classification Search** D23/355-369;
261/DIG. 17, DIG. 42, DIG. 65, DIG. 88,
261/DIG. 89; 239/34-36, 44-45, 53-54,
239/56-57, 60, 136, 152, 302, 326; 392/386,
392/390, 392, 394, 395; D28/5, 6
See application file for complete search history.

FIG. 3 is a front side view of the design.

FIG. 4 is a back side view of the design.

FIG. 5 is a top plan view of the design; and,

FIG. 6 is a bottom plan view of the design.

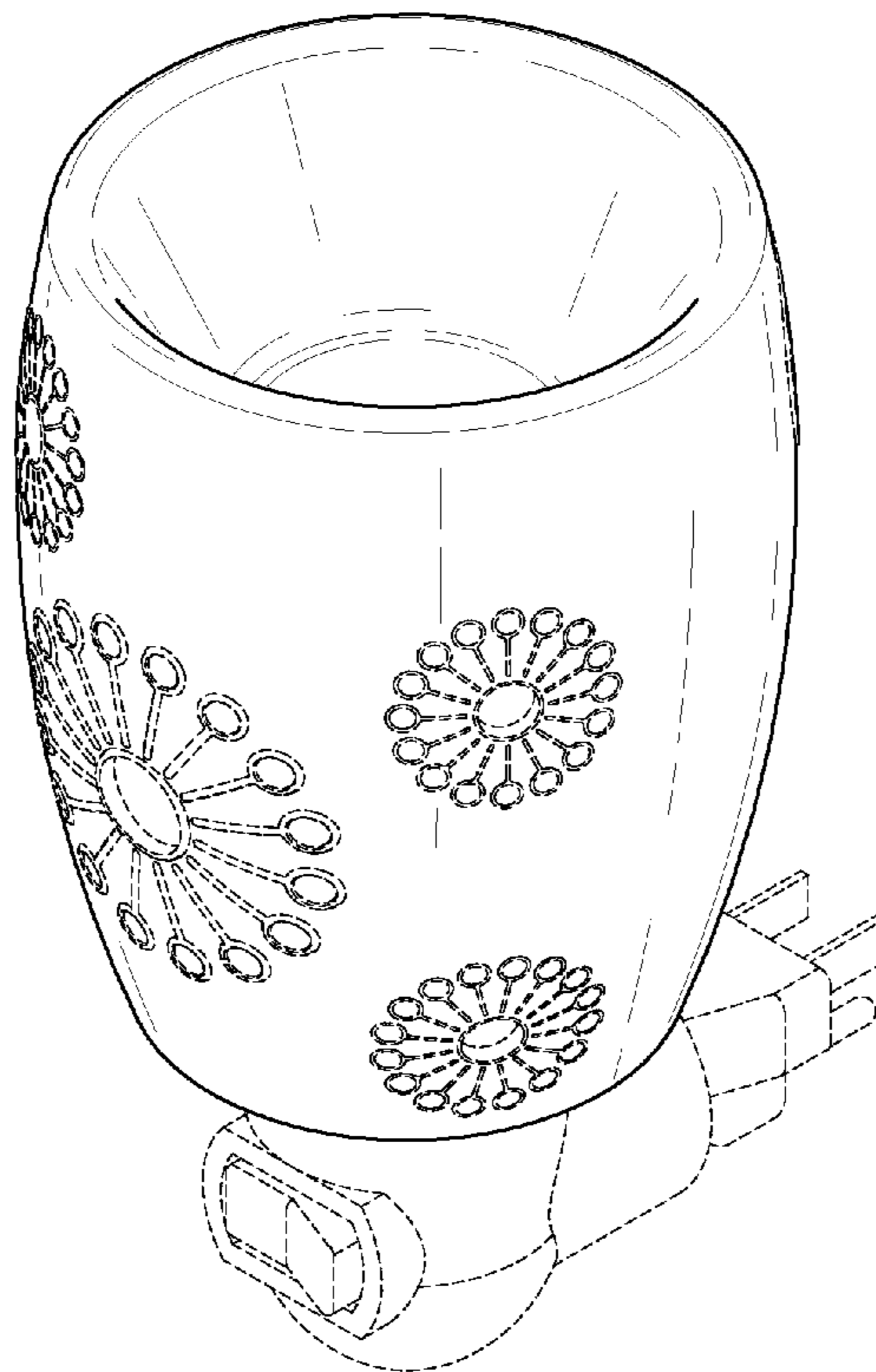
Any broken lines, color patterns, and/or colors are for illustrative purposes only and form no part of the claimed design.

(56) **References Cited**

U.S. PATENT DOCUMENTS

D288,842 S * 3/1987 Kwiatkowski D23/366
D454,190 S * 3/2002 Trocola D23/366

1 Claim, 6 Drawing Sheets



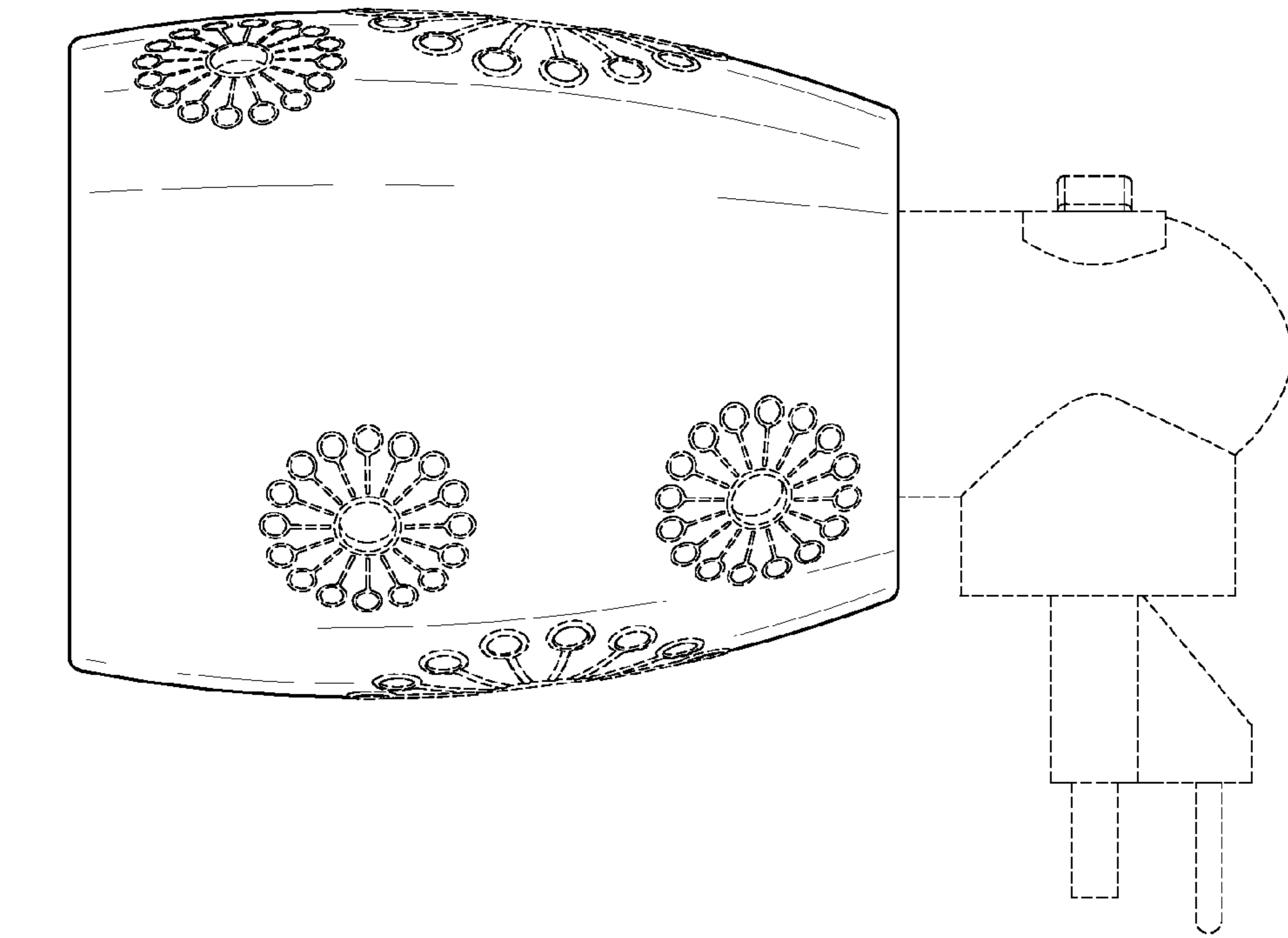


Fig. 1

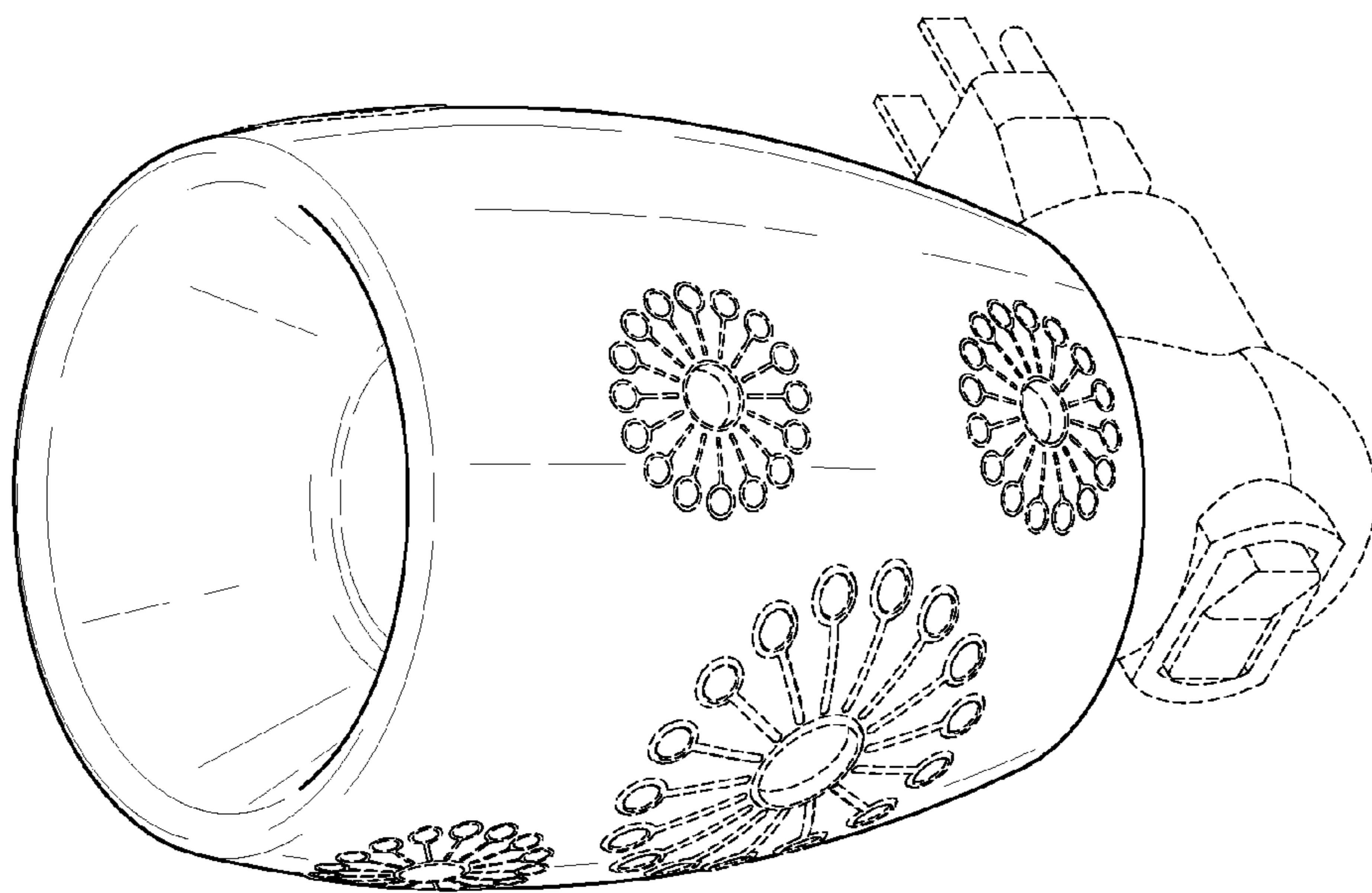


Fig. 2

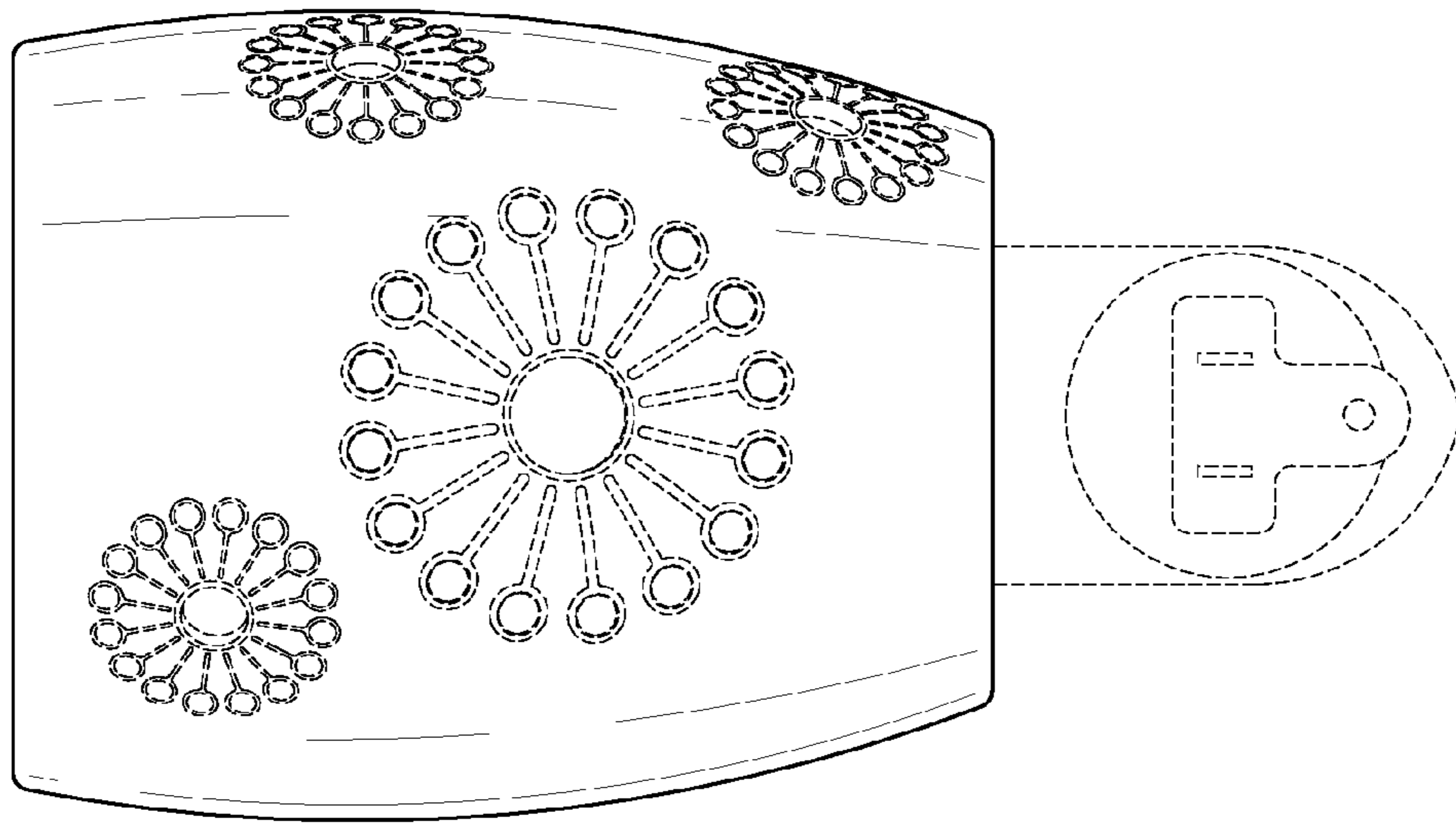


Fig. 4

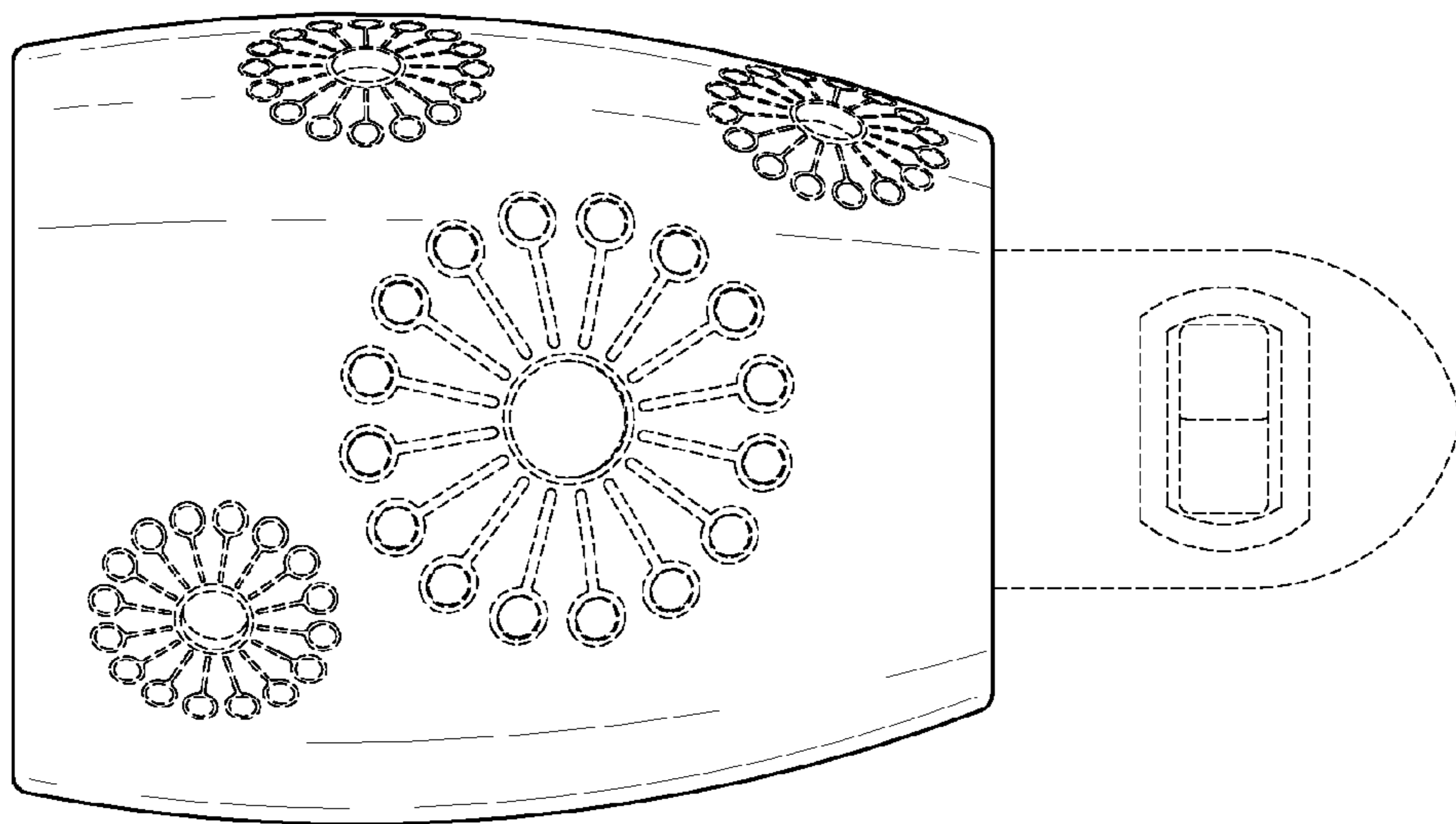


Fig. 3

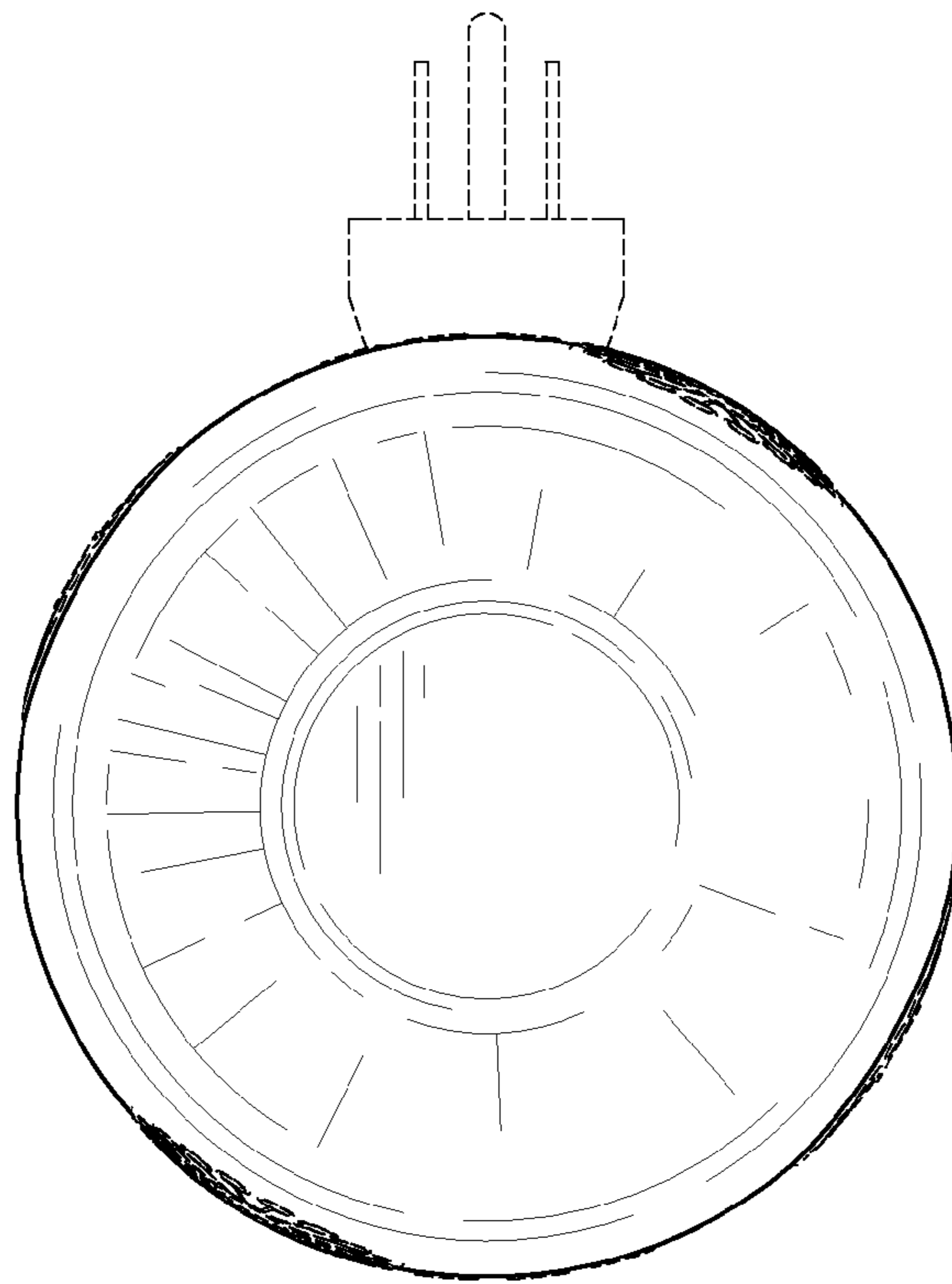


Fig. 5

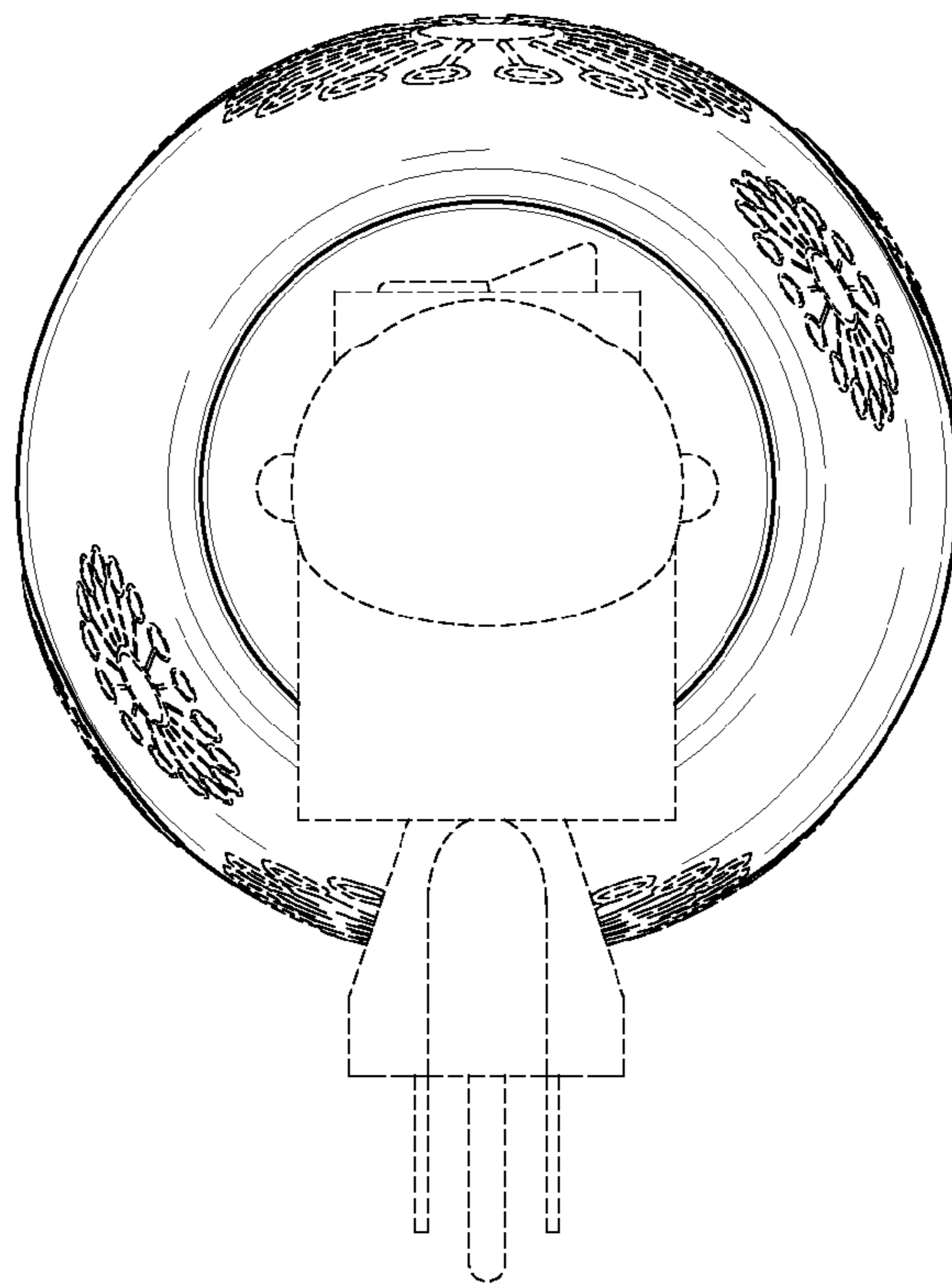


Fig. 6

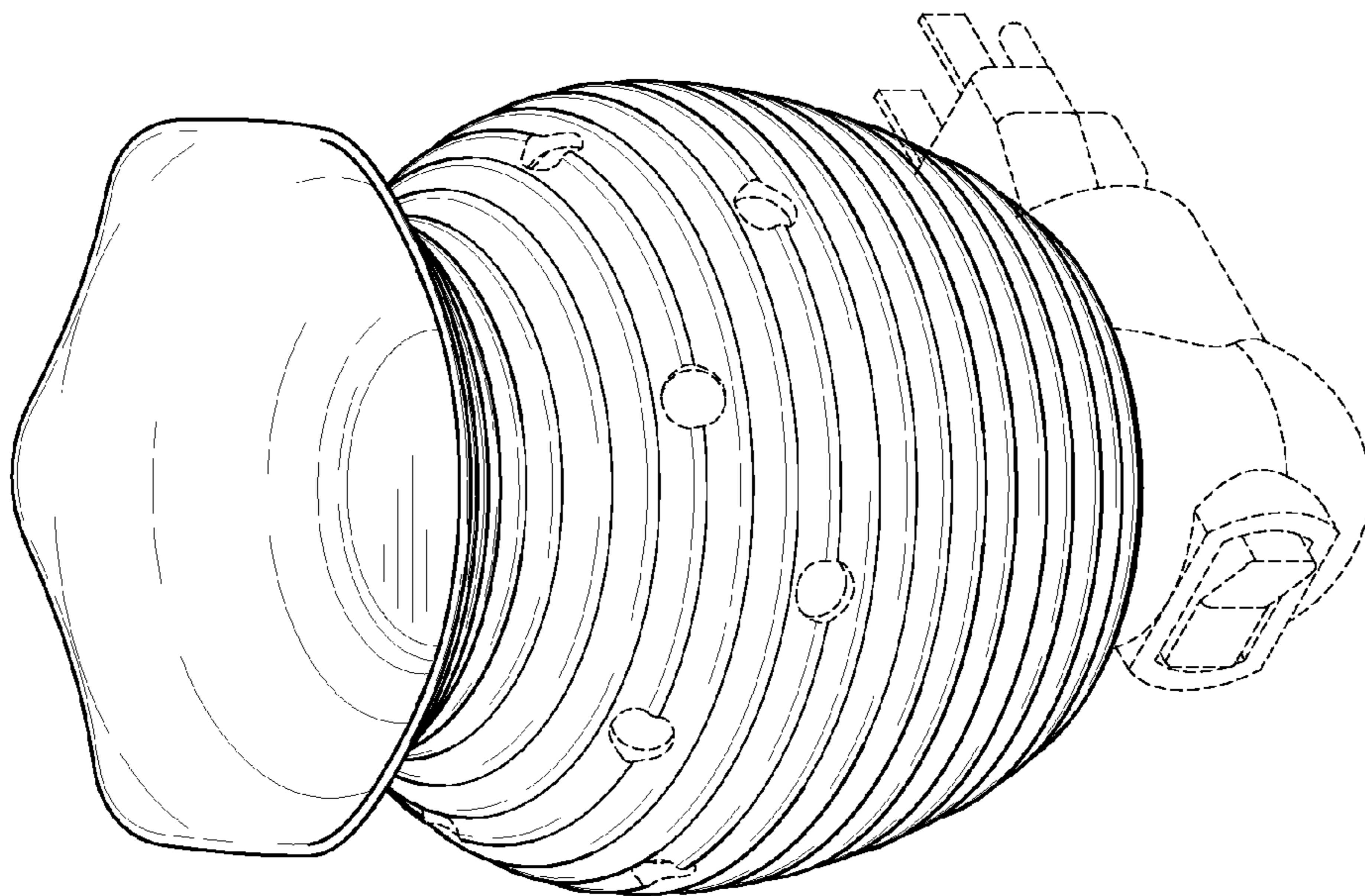


Fig. 7

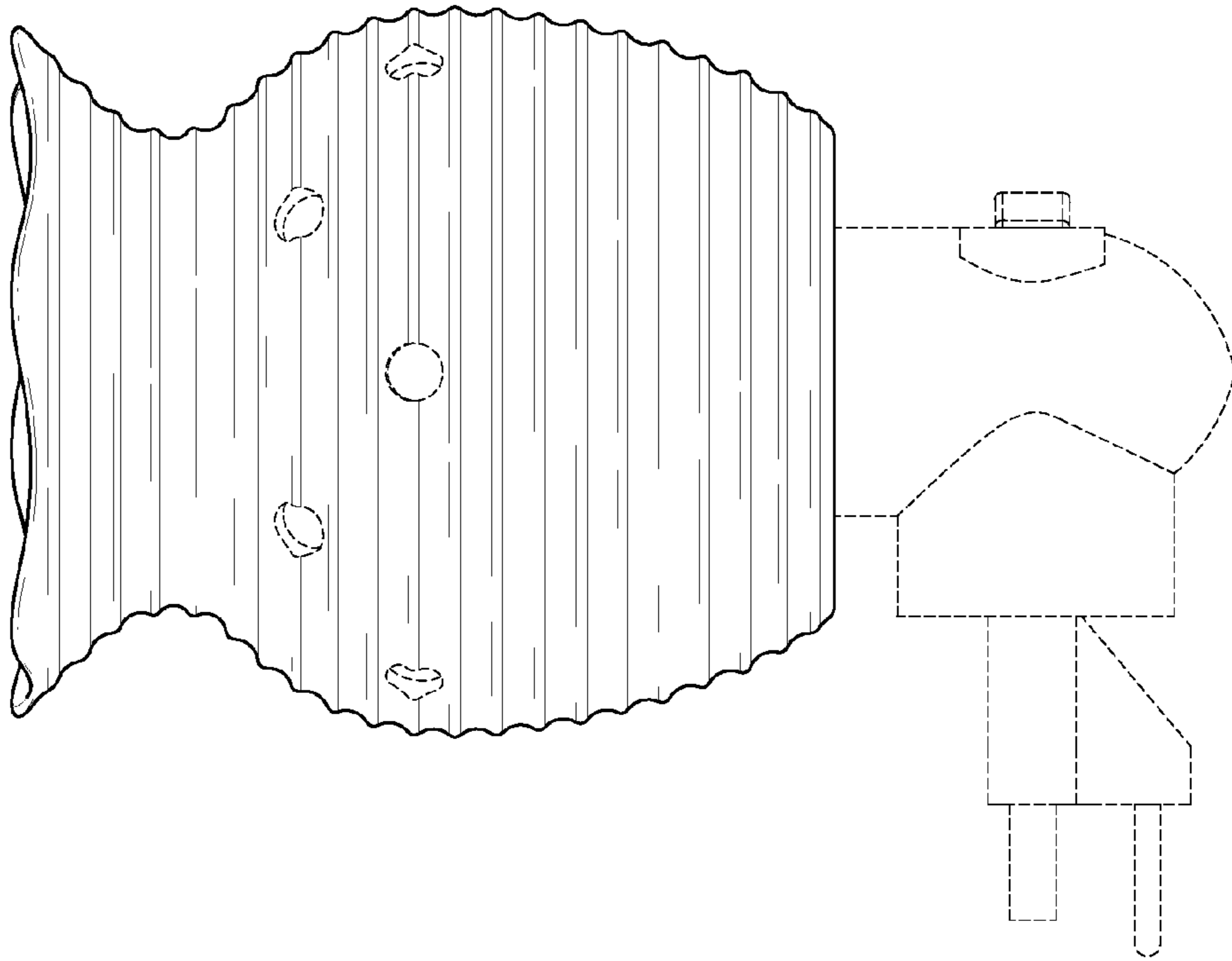


Fig. 8

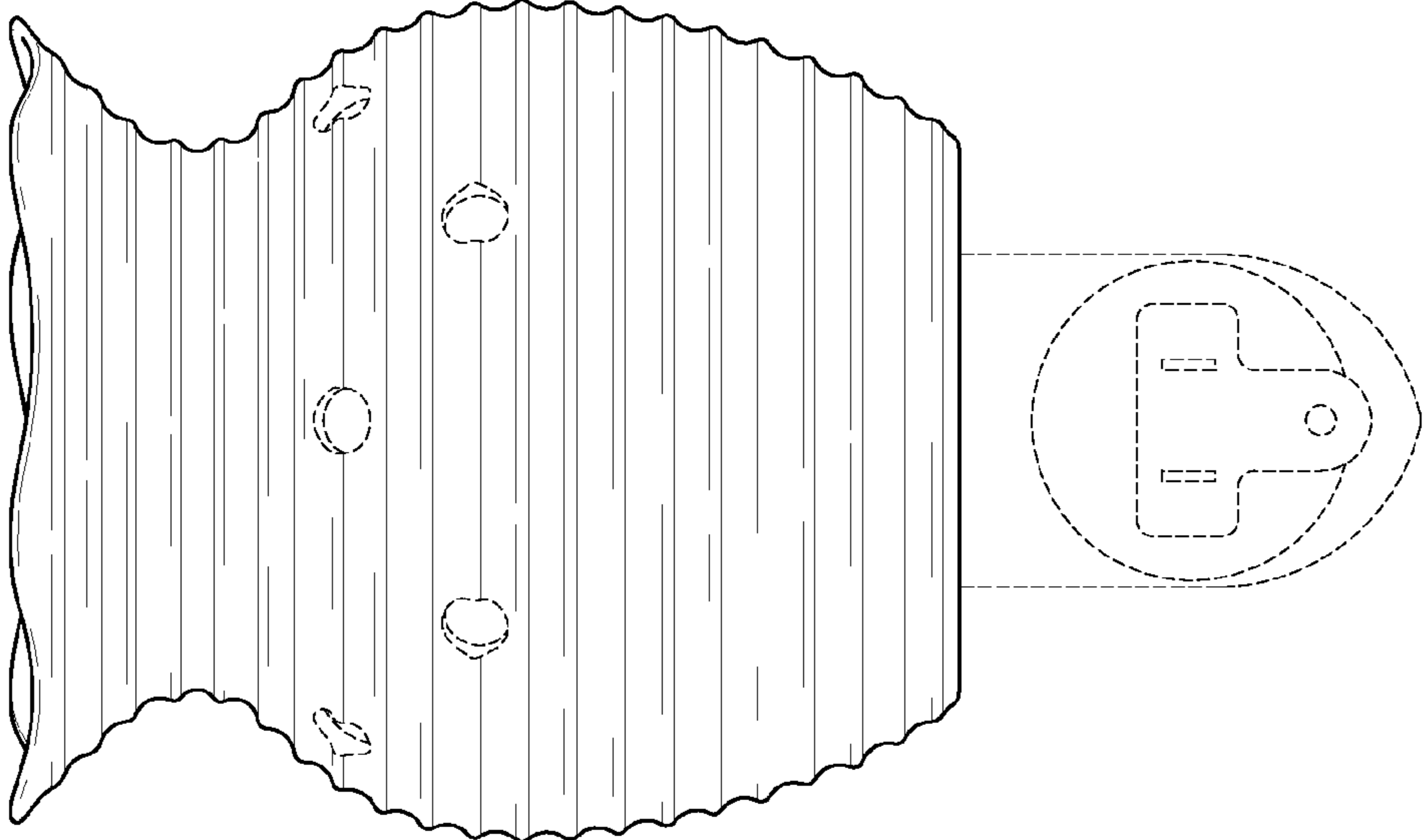


Fig. 10

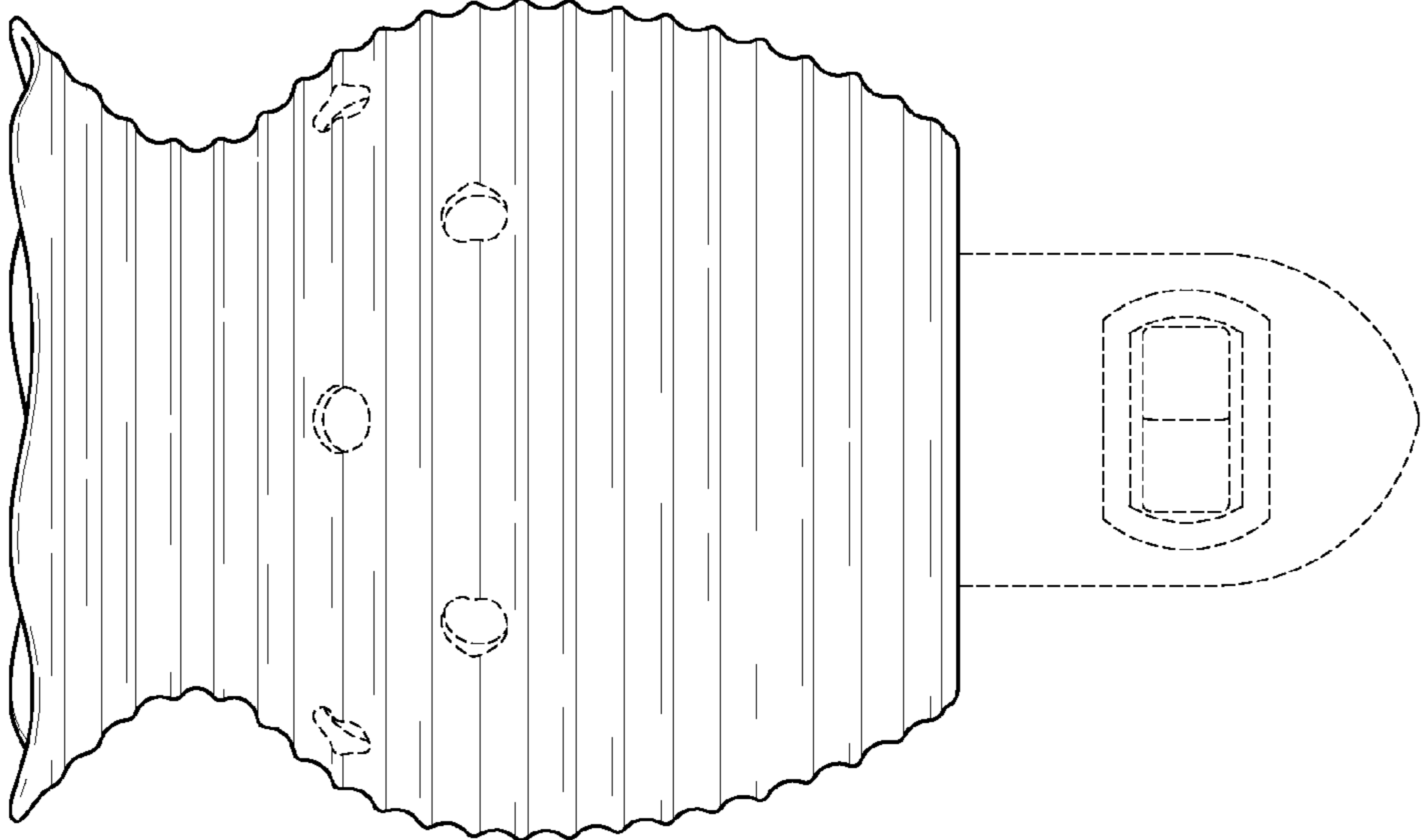


Fig. 9

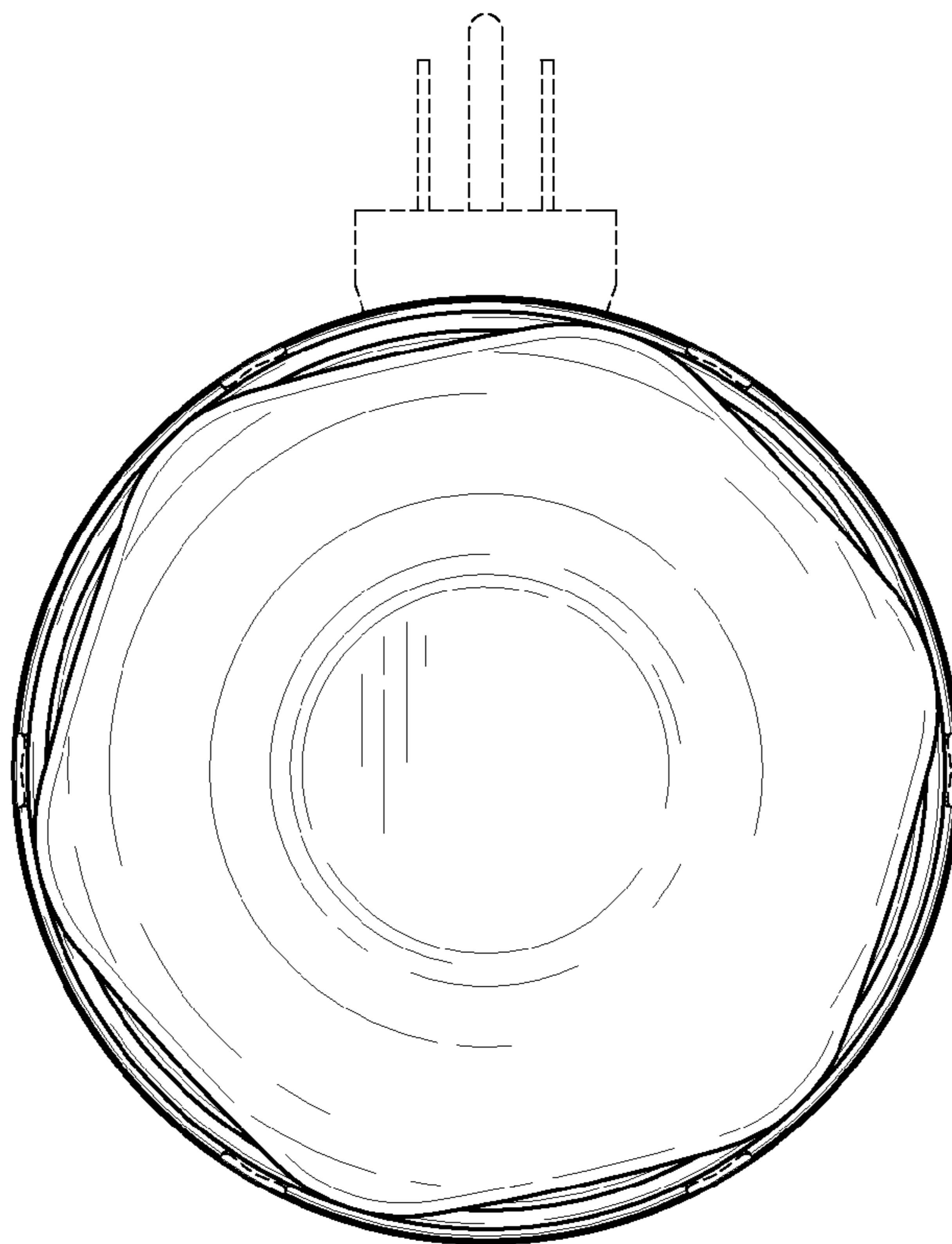


Fig. 11

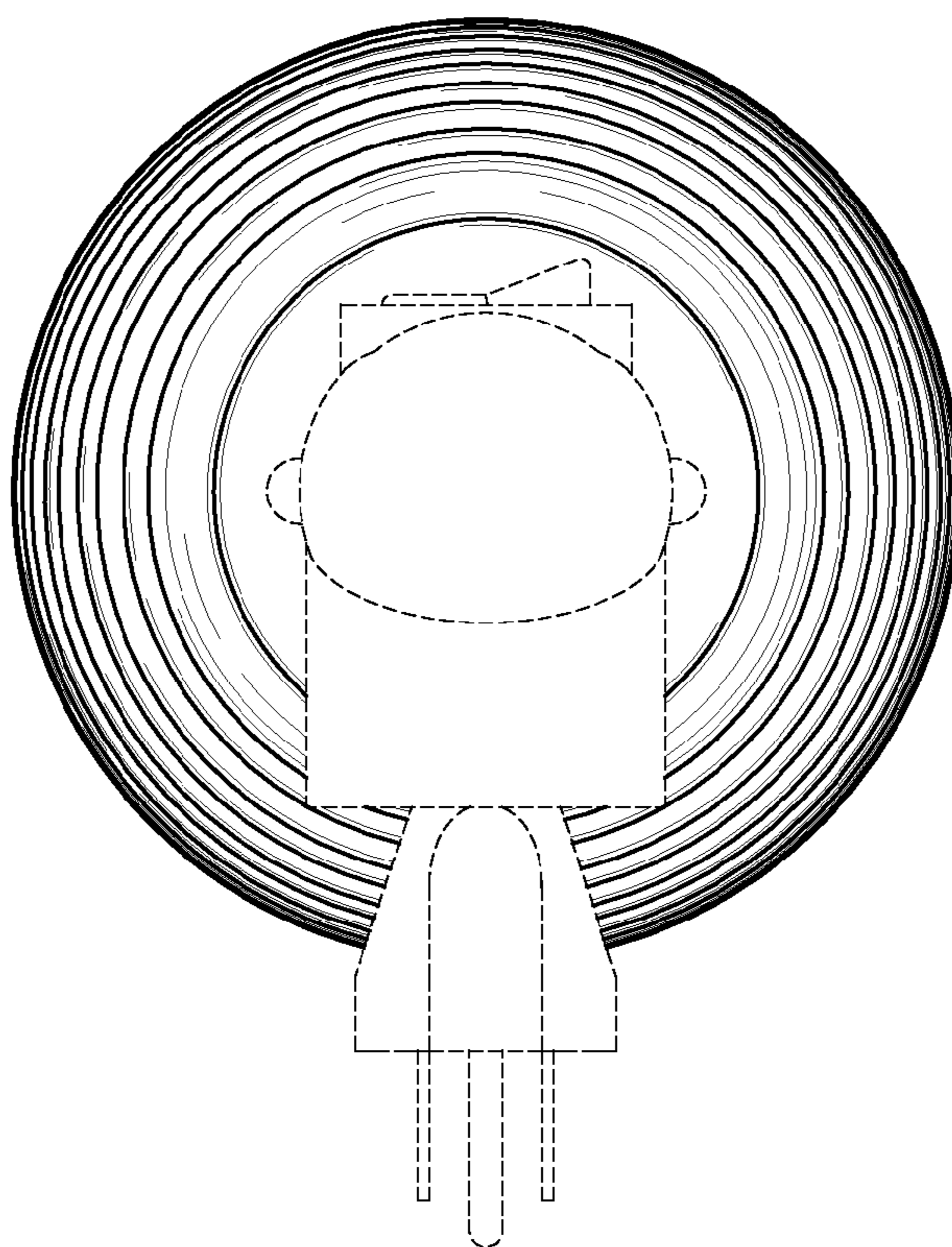


Fig. 12