



US00D603033S

(12) **United States Design Patent**
Kelnhofer

(10) **Patent No.:** **US D603,033 S**

(45) **Date of Patent:** **** Oct. 27, 2009**

(54) **PORTABLE HERBAL VAPORIZER BASE**

(76) **Inventor:** **Steve Kelnhofer**, 3615 Fairmont Pl.,
Colorado Springs, CO (US) 80910

(**) **Term:** **14 Years**

(21) **Appl. No.:** **29/334,913**

(22) **Filed:** **Apr. 3, 2009**

(51) **LOC (9) Cl.** **28-99**

(52) **U.S. Cl.** **D23/366**

(58) **Field of Classification Search** D23/355-369;
261/DIG. 17, DIG. 42, DIG. 65, DIG. 88,
261/DIG. 89; 239/34-36, 44-45, 53-54,
239/56-57, 60, 136, 152, 302, 326; 392/386,
392/390, 392, 394, 395; D28/5, 6, 65; D4/101;
D24/111

See application file for complete search history.

(56) **References Cited**

U.S. PATENT DOCUMENTS

D161,669 S *	1/1951	Zonne	D23/362
3,480,001 A *	11/1969	Briggin et al.	126/261
D217,719 S *	6/1970	McNair	D23/362
D225,009 S *	10/1972	Buhren	D23/360
D321,986 S *	12/1991	Snyder et al.	D4/101
D398,044 S *	9/1998	Gutmann	D23/364
D399,939 S *	10/1998	Nystrom	D23/355
D403,511 S *	1/1999	Serbinski	D4/108

D411,294 S *	6/1999	Gutmann	D23/355
D445,493 S *	7/2001	Nystrom	D23/355
D500,208 S *	12/2004	Vu	D4/101
D509,585 S *	9/2005	Kling et al.	D24/111
D513,638 S *	1/2006	Pan	D24/111
D572,486 S *	7/2008	Lamason et al.	D4/101
D574,952 S *	8/2008	Boyd et al.	D24/111
D581,506 S *	11/2008	Kelnhofer	D23/360

* cited by examiner

Primary Examiner—Sandra Snapp

(74) *Attorney, Agent, or Firm*—Mark G. Pannell; Hanes & Schutz, LLC

(57) **CLAIM**

The ornamental design for a portable herbal vaporizer base, as shown and described.

DESCRIPTION

FIG. 1 is a front exploded perspective view of the portable herbal vaporizer base of the present invention.

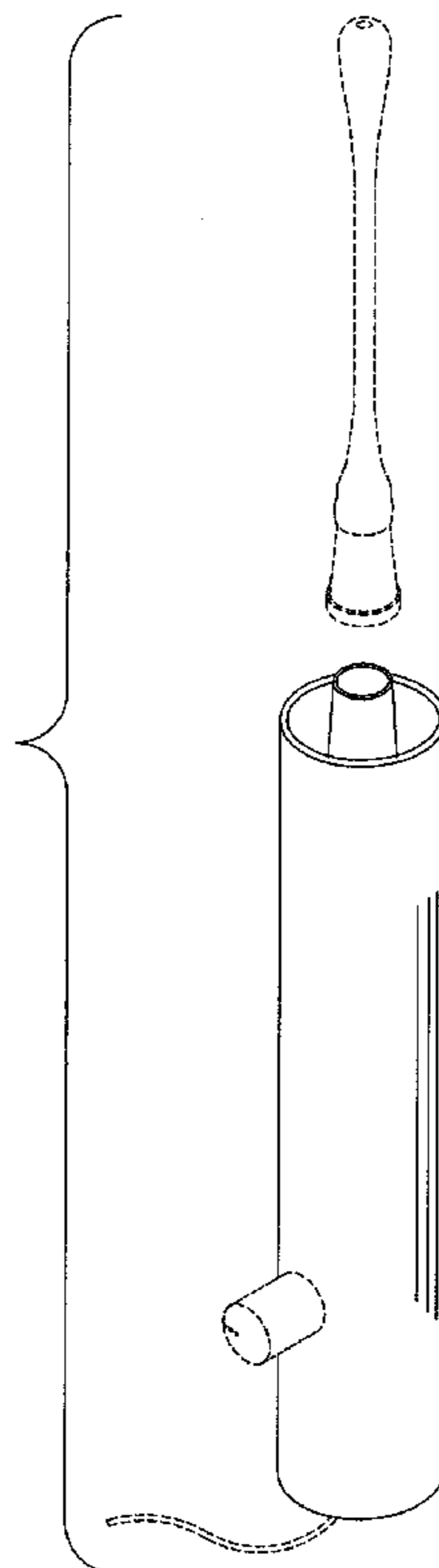
FIG. 2 is a rear exploded perspective view of the portable herbal vaporizer base.

FIG. 3 is a top view of the portable herbal vaporizer base; and,

FIG. 4 is a bottom view of the portable herbal vaporizer base.

The broken lines shown in the drawings are for illustrative purposes only and from no part of the claimed design.

1 Claim, 1 Drawing Sheet



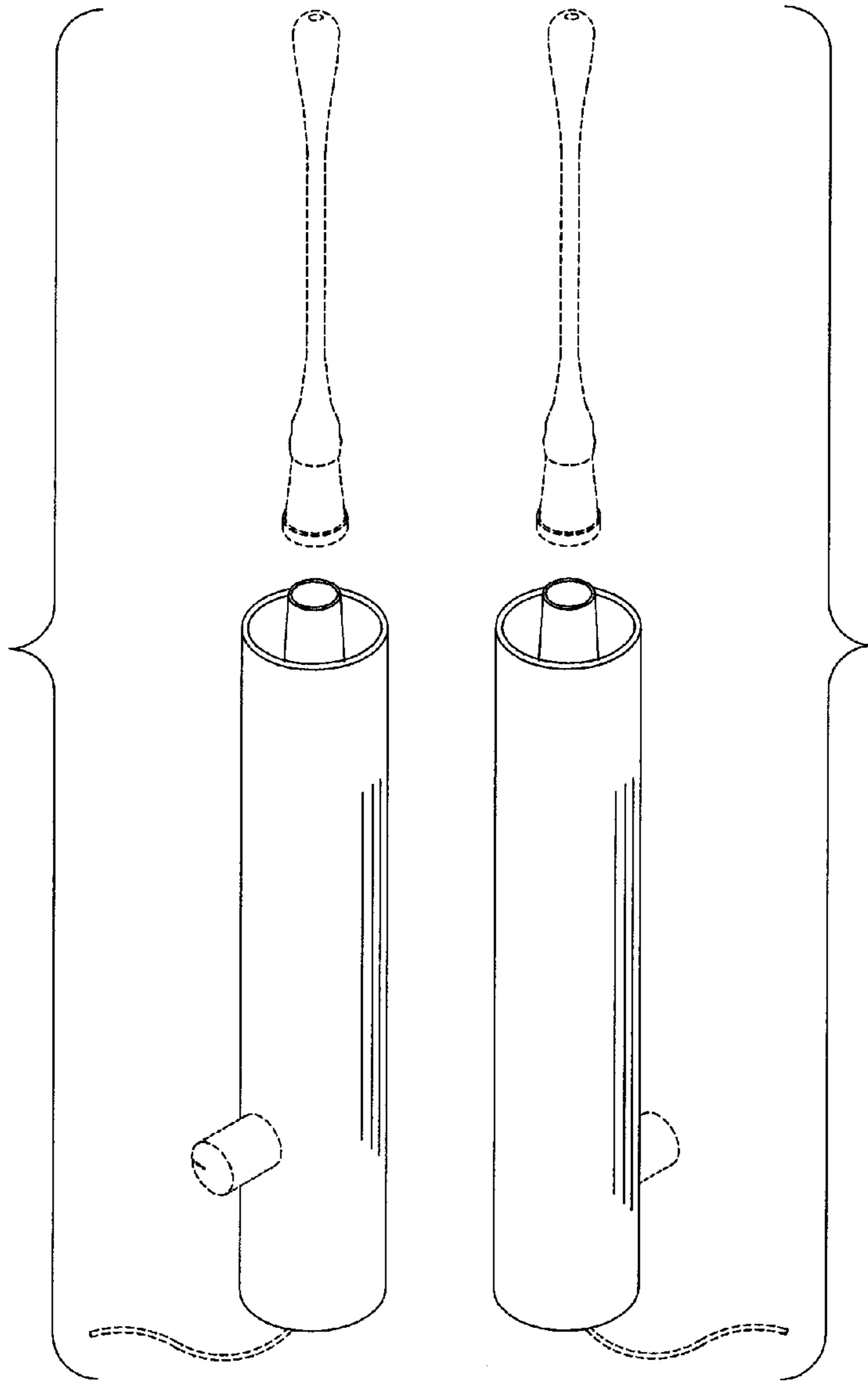


Fig. 1

Fig. 2

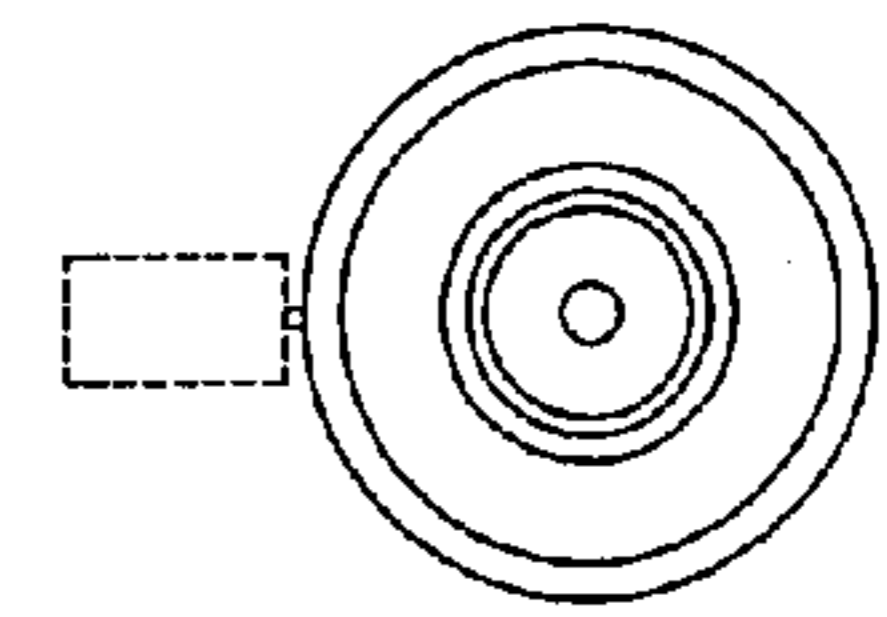


Fig. 3

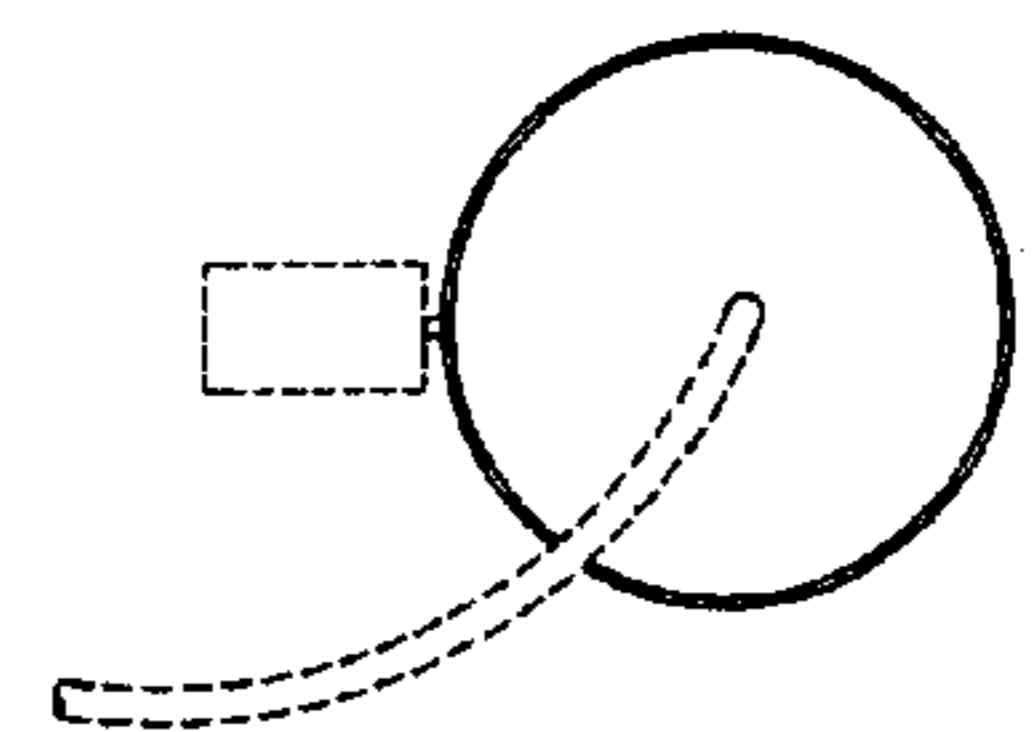


Fig. 4