



US00D603027S

(12) **United States Design Patent**  
**DeBoer et al.**

(10) **Patent No.:** **US D603,027 S**  
(45) **Date of Patent:** **\*\* Oct. 27, 2009**

(54) **SINK CABINET**

(75) Inventors: **Jeff DeBoer**, Ann Arbor, MI (US);  
**Michael Nellenbach**, Clawson, MI (US)

(73) Assignee: **Elkay Manufacturing Company**, Oak Brook, IL (US)

(\*\*) Term: **14 Years**

(21) Appl. No.: **29/306,584**

(22) Filed: **Apr. 11, 2008**

(51) **LOC (9) Cl.** ..... **23-02**

(52) **U.S. Cl.** ..... **D23/286**

(58) **Field of Classification Search** ..... D23/270–271,  
D23/273–274, 284, 286–287, 292–293.1,  
D23/303, 308; 4/619, 630–631, 637–638,  
4/639, 643, 655, 660–661, DIG. 18; D6/397,  
D6/432, 509

See application file for complete search history.

(56) **References Cited**

**U.S. PATENT DOCUMENTS**

D184,171 S	12/1958	Felcan	
D184,383 S *	2/1959	Stevens	..... D23/286
D185,227 S *	5/1959	Mustee	..... D23/286
D200,845 S	4/1965	Aarnio	
D208,395 S	8/1967	Mustee	
D210,828 S	4/1968	Mustee	
D223,830 S	6/1972	Emanuele	
D253,300 S	10/1979	Kinsey	

D255,923 S	7/1980	Rosenkranz	
D401,678 S	11/1998	Scheel et al.	
D535,728 S *	1/2007	Helmetsie	..... D23/286
D539,395 S *	3/2007	Ritterling	..... D23/286

\* cited by examiner

*Primary Examiner*—Robert A Delehanty

(74) *Attorney, Agent, or Firm*—Leydig, Voit & Mayer, Ltd.

(57) **CLAIM**

The ornamental design for a sink cabinet, as shown and described.

**DESCRIPTION**

FIG. 1 is a perspective view taken from the top, front, and right side of a sink cabinet showing our new design;

FIG. 2 is a top plan view of the sink cabinet shown in FIG. 1;

FIG. 3 is a bottom view of the sink cabinet shown in FIG. 1;

FIG. 4 is a front elevational view of the sink cabinet shown in FIG. 1;

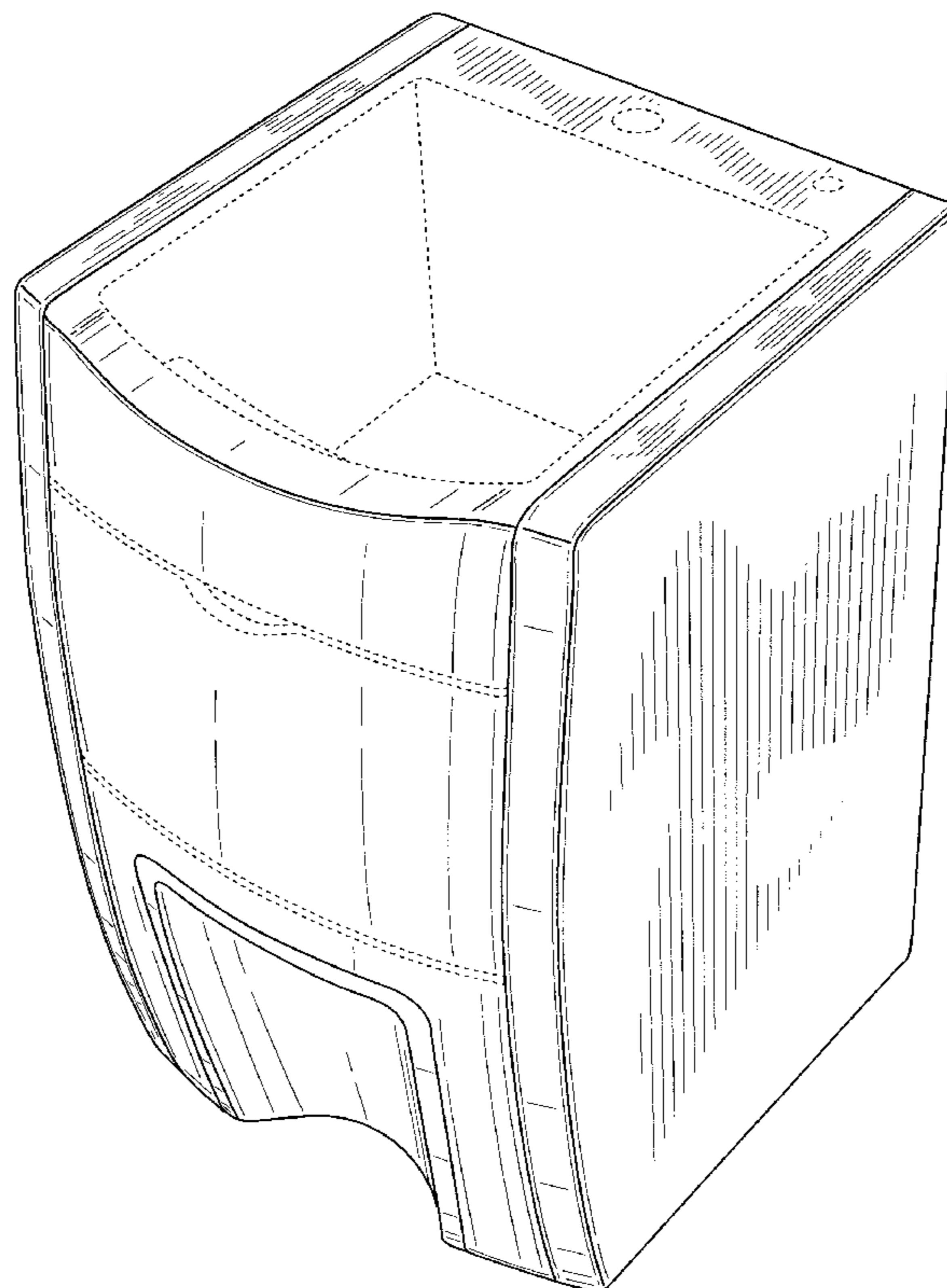
FIG. 5 is a rear elevational view of the sink cabinet shown in FIG. 1;

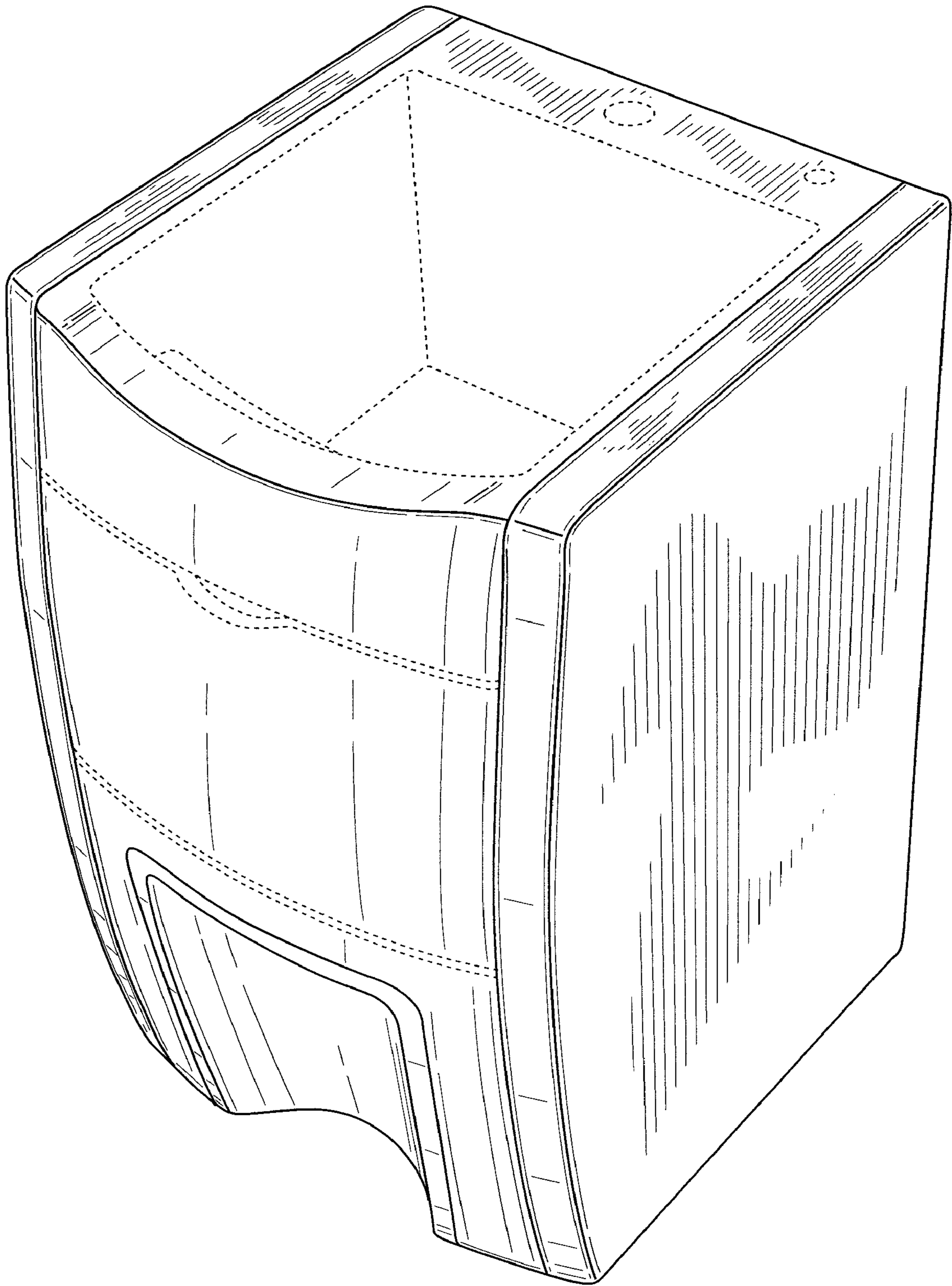
FIG. 6 is a left elevational side view of the sink cabinet shown in FIG. 1; and,

FIG. 7 is a right elevational side view of the sink cabinet shown in FIG. 1.

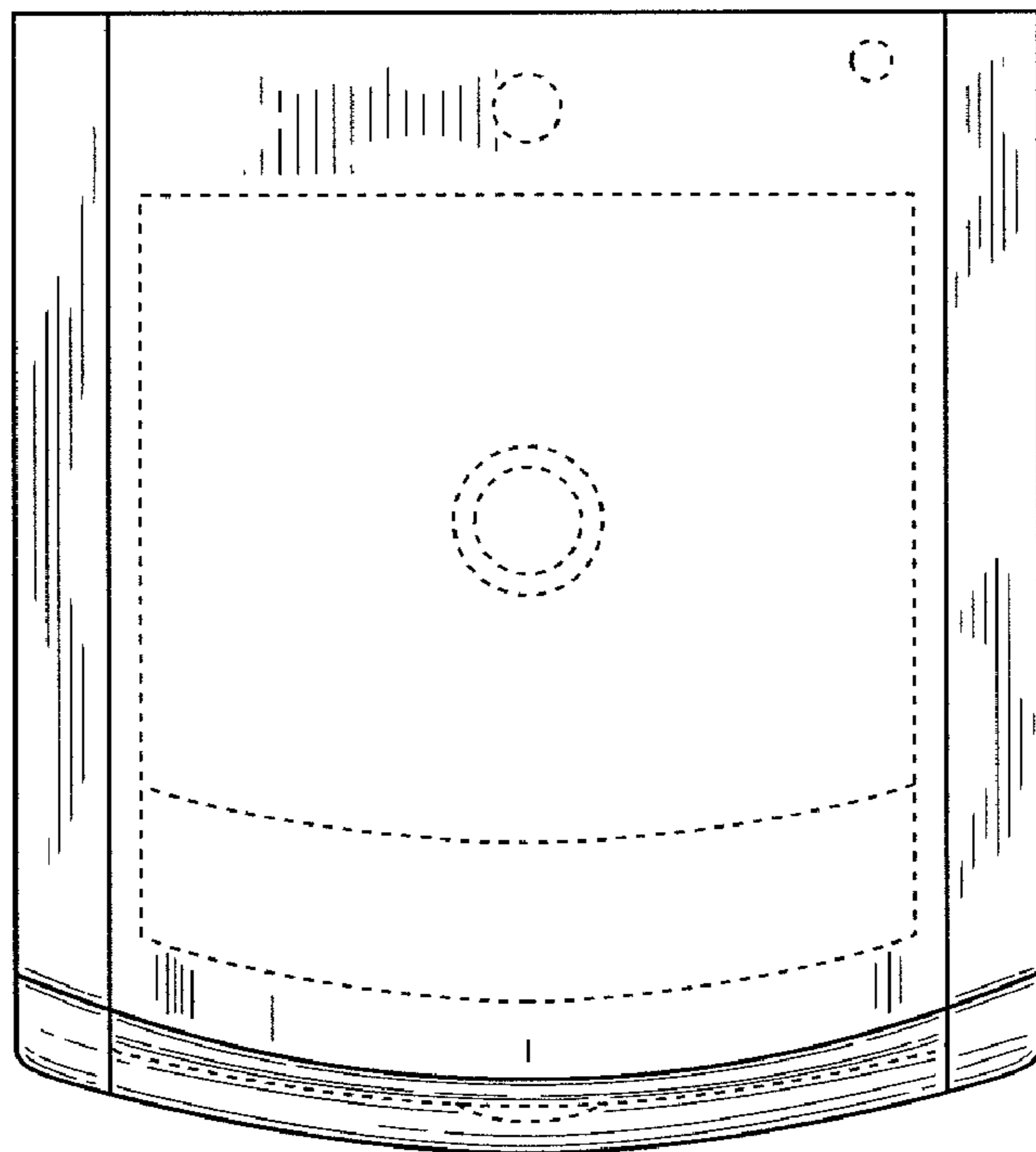
The broken lines are for illustration purposes only and form no part of the claimed design.

**1 Claim, 4 Drawing Sheets**

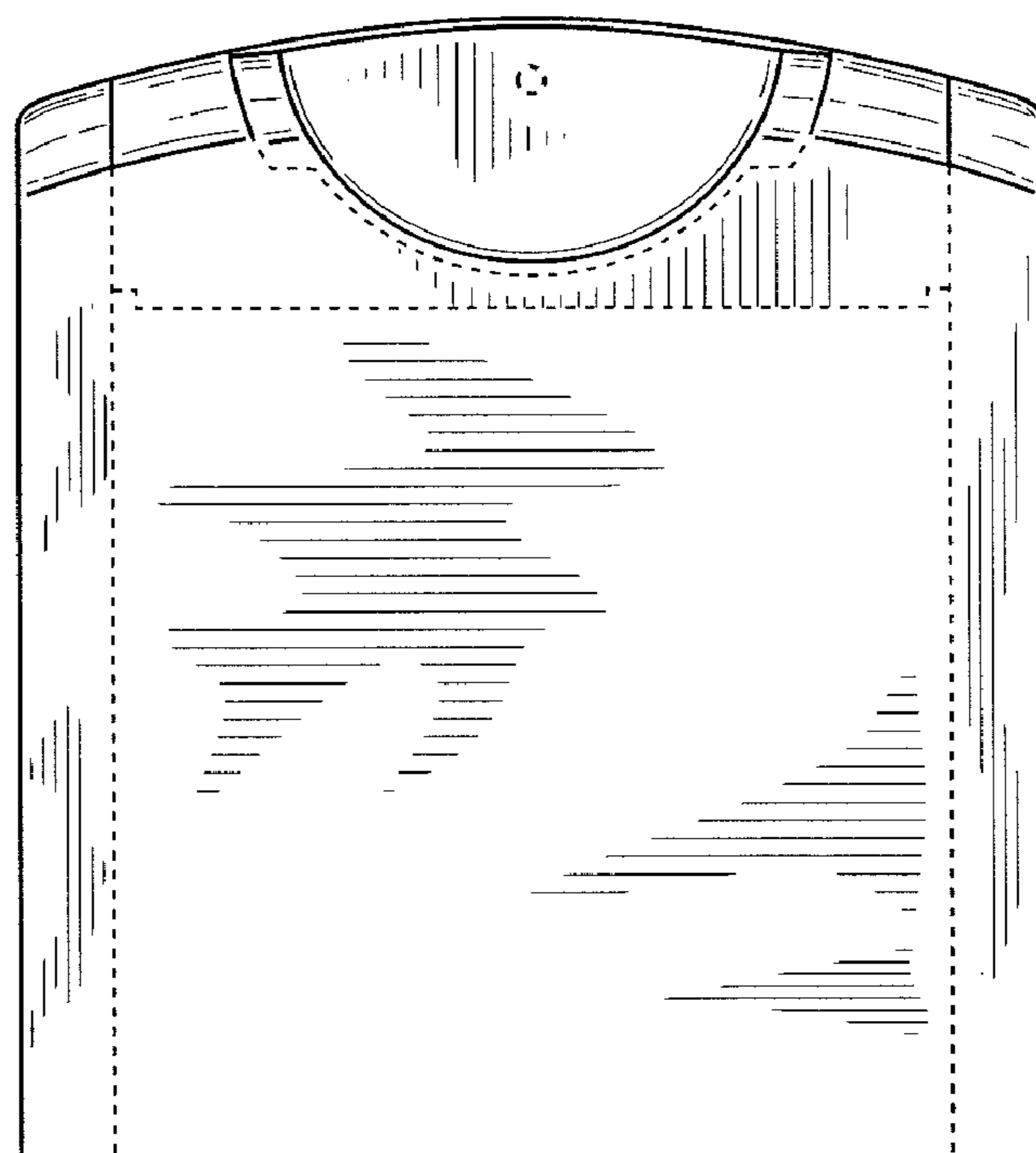




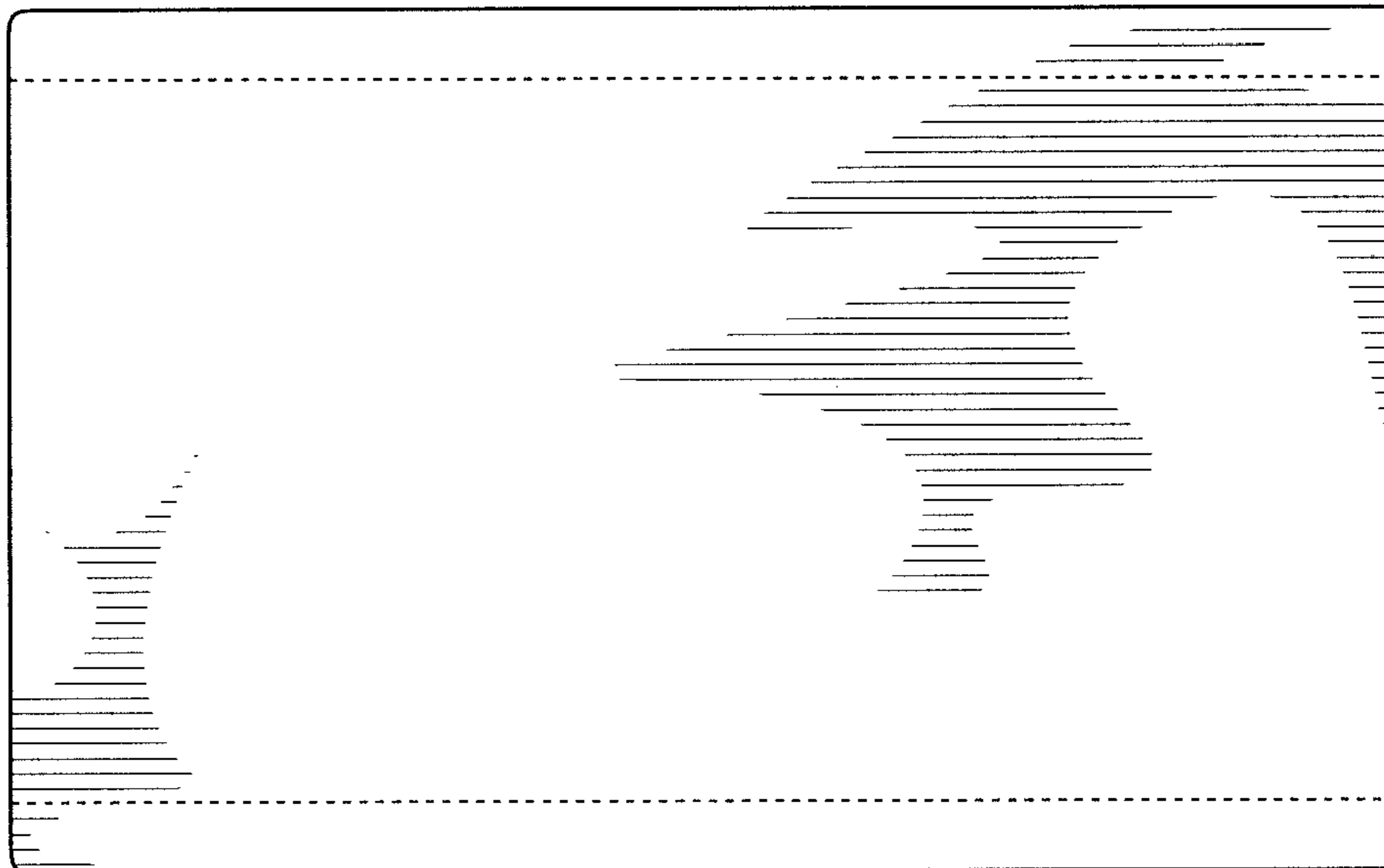
**FIG. 1**



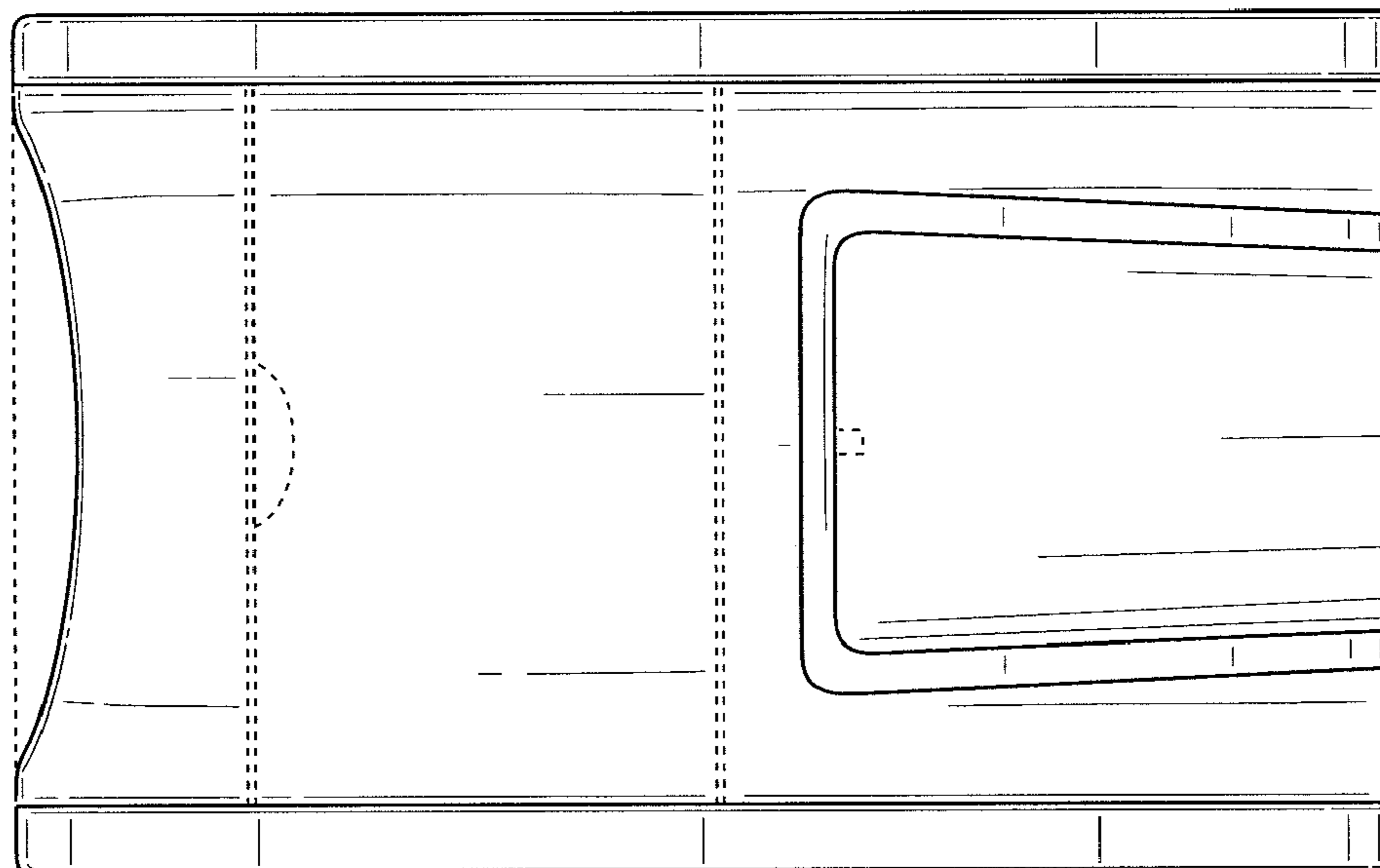
**FIG. 2**



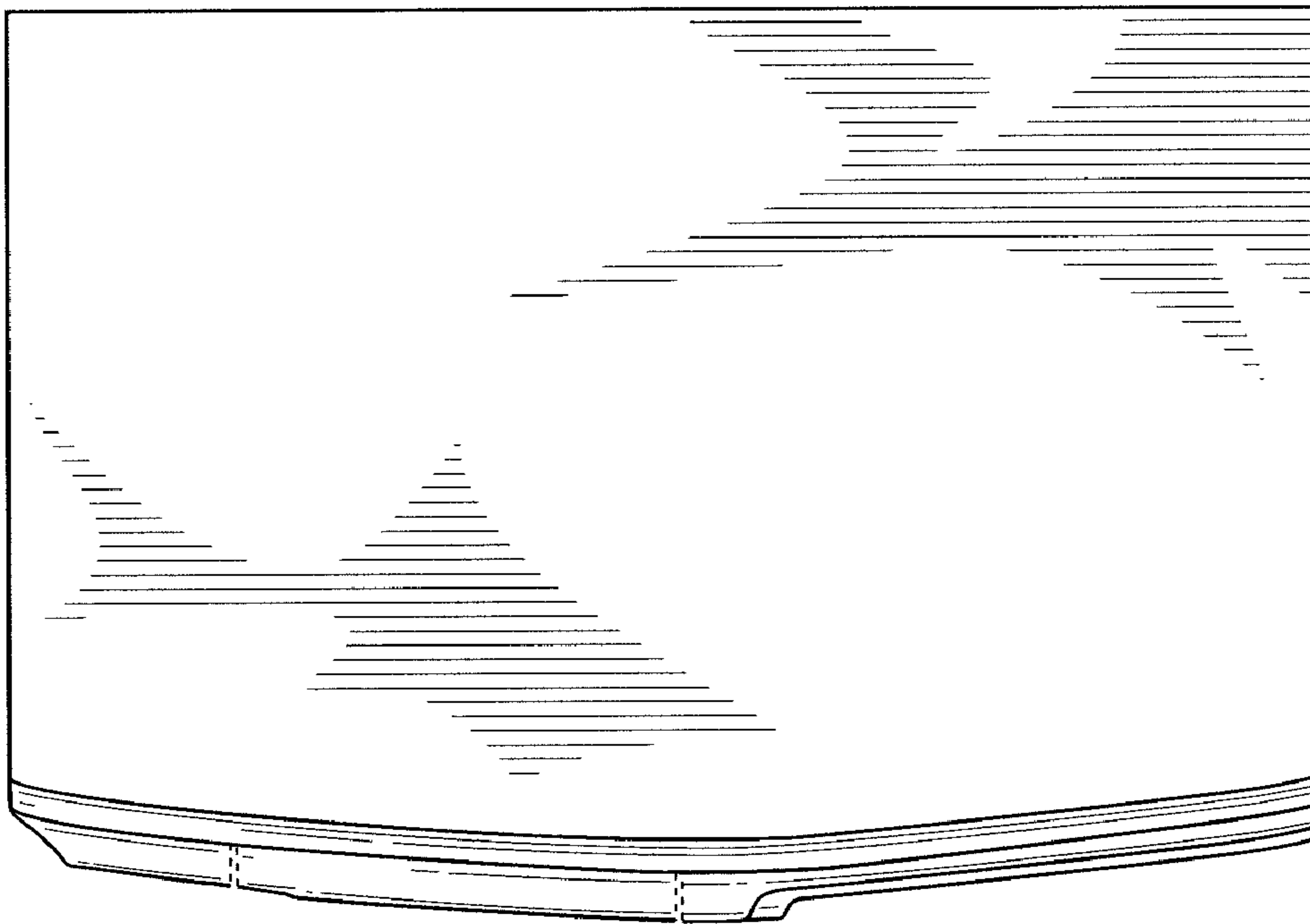
**FIG. 3**



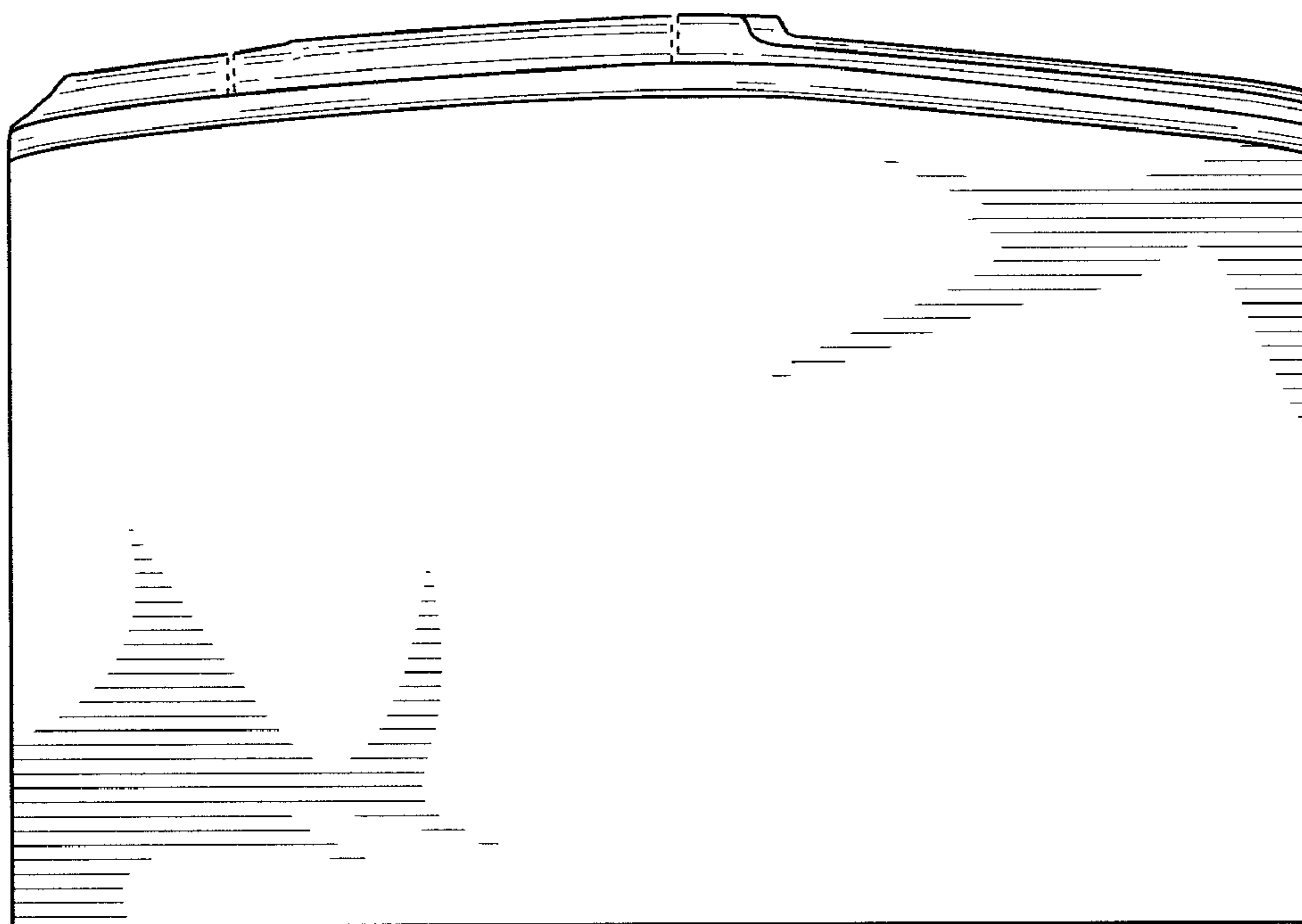
**FIG. 5**



**FIG. 4**



**FIG. 7**



**FIG. 6**