



US00D603026S

(12) **United States Design Patent**
DeBoer et al.

(10) **Patent No.:** **US D603,026 S**
(45) **Date of Patent:** **** Oct. 27, 2009**

(54) **SINK STAND**

(75) Inventors: **Jeff DeBoer**, Ann Arbor, MI (US);
Michael Nellenbach, Clawson, MI (US)

(73) Assignee: **Elkay Manufacturing Company**, Oak Brook, IL (US)

(**) Term: **14 Years**

(21) Appl. No.: **29/306,583**

(22) Filed: **Apr. 11, 2008**

(51) **LOC (9) Cl.** **23-02**

(52) **U.S. Cl.** **D23/286; D23/292**

(58) **Field of Classification Search** D23/270–271,
D23/273–274, 284, 286–287, 292–293.1,
D23/303, 308; 4/619, 630–631, 637–638,
4/639, 643, 655, 660–661, DIG. 18; D6/397
See application file for complete search history.

(56) **References Cited**

U.S. PATENT DOCUMENTS

- D43,728 S * 3/1913 Seelig et al. D23/293.1
- D175,850 S * 10/1955 Mustee D23/293.1
- D184,171 S 12/1958 Felcan
- D197,691 S * 3/1964 Heitzler et al. D23/292
- D200,845 S 4/1965 Aarnio
- D208,395 S 8/1967 Mustee
- D210,828 S 4/1968 Mustee
- D223,830 S 6/1972 Emanuele
- D253,300 S 10/1979 Kinsey
- D255,923 S 7/1980 Rosenkranz

- D255,924 S * 7/1980 Rosenkranz D23/286
- D401,678 S 11/1998 Scheel et al.
- 5,881,404 A * 3/1999 Knight 4/645
- D540,440 S * 4/2007 Helmsie D23/293.1
- D589,128 S * 3/2009 Mitrani D23/284

* cited by examiner

Primary Examiner—Robert A Delehanty

(74) *Attorney, Agent, or Firm*—Leydig, Voit & Mayer, Ltd.

(57) **CLAIM**

The ornamental design for a sink stand, as shown and described.

DESCRIPTION

FIG. 1 is a perspective view taken from the top, front, and right side of a sink stand showing our new design;

FIG. 2 is a top plan view of the sink stand shown in FIG. 1;

FIG. 3 is a bottom view of the sink stand shown in FIG. 1;

FIG. 4 is a front elevational view of the sink stand shown in FIG. 1;

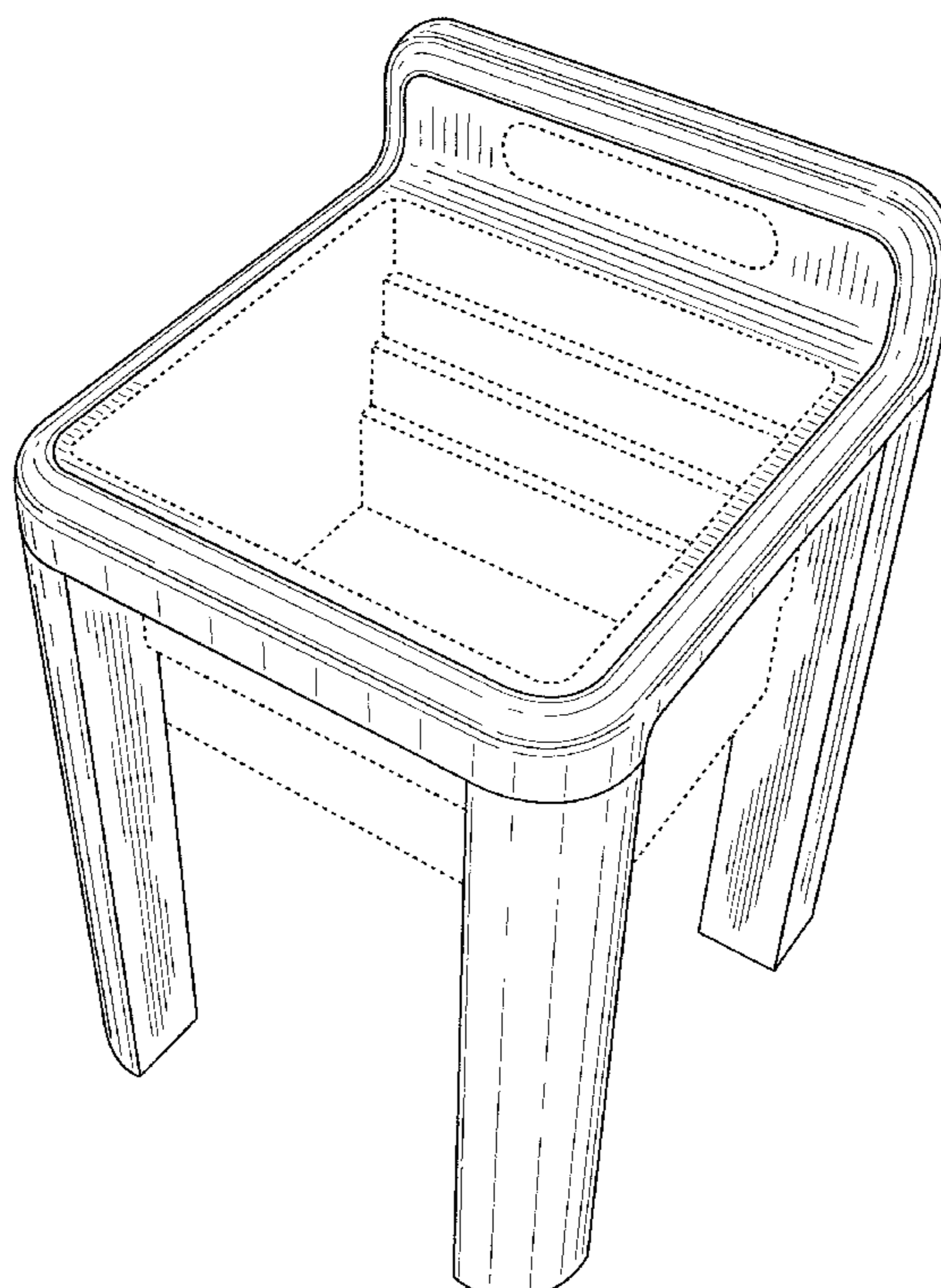
FIG. 5 is a rear elevational view of the sink stand shown in FIG. 1;

FIG. 6 is a left elevational side view of the sink stand shown in FIG. 1; and,

FIG. 7 is a right elevational side view of the sink stand shown in FIG. 1.

The broken lines are for illustration purposes only and form no part of the claimed design.

1 Claim, 7 Drawing Sheets



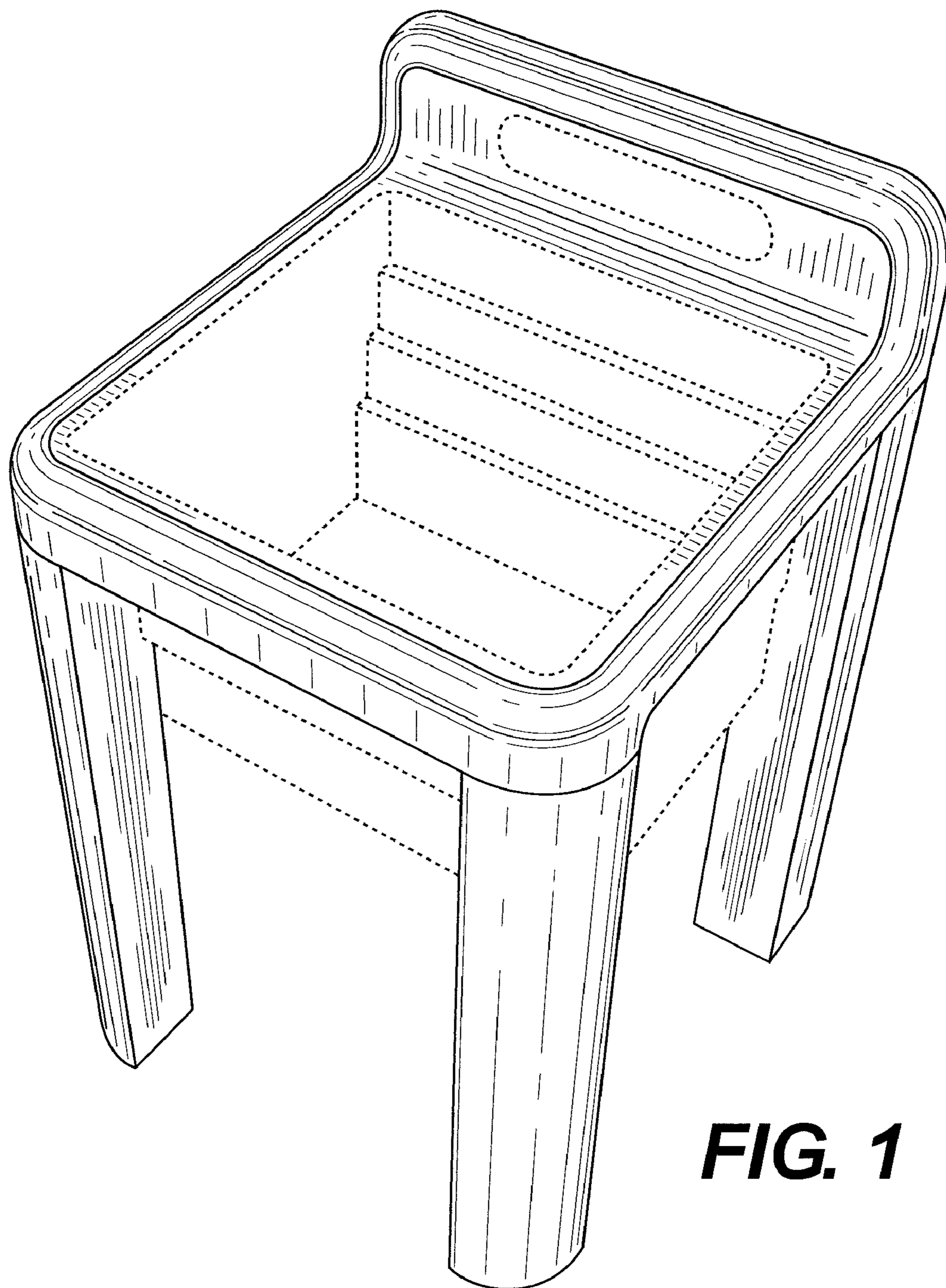


FIG. 1

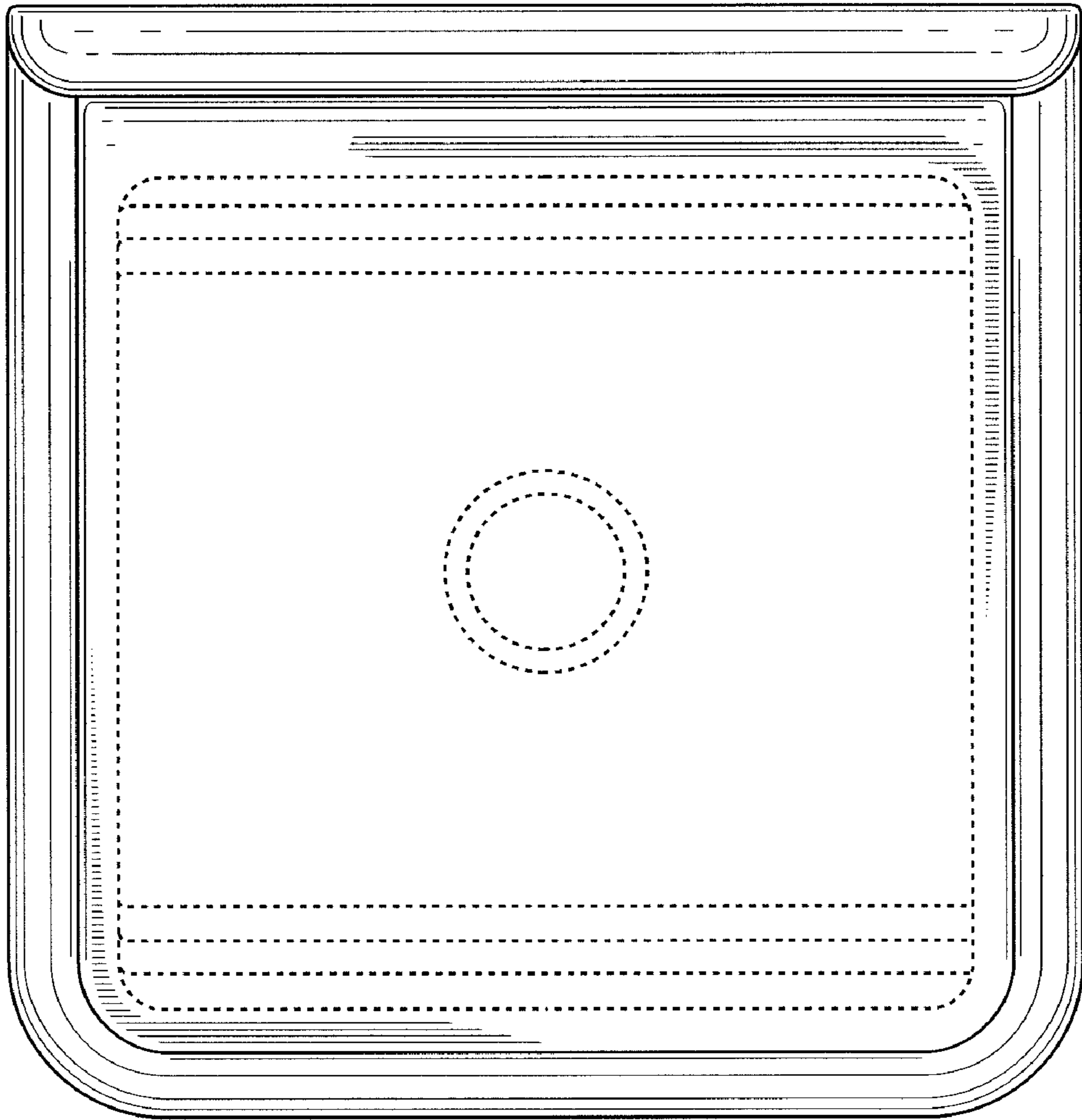


FIG. 2

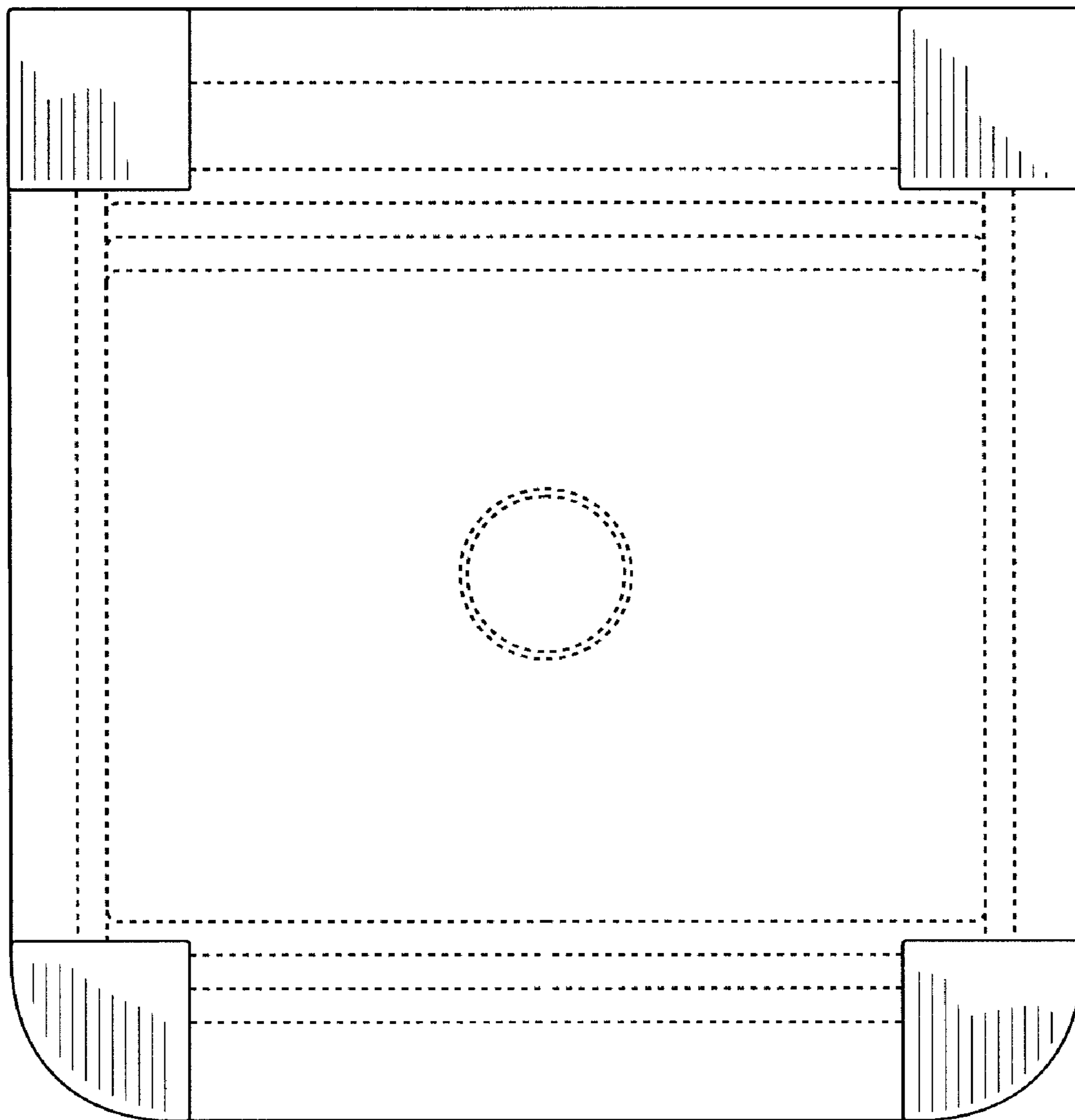


FIG. 3

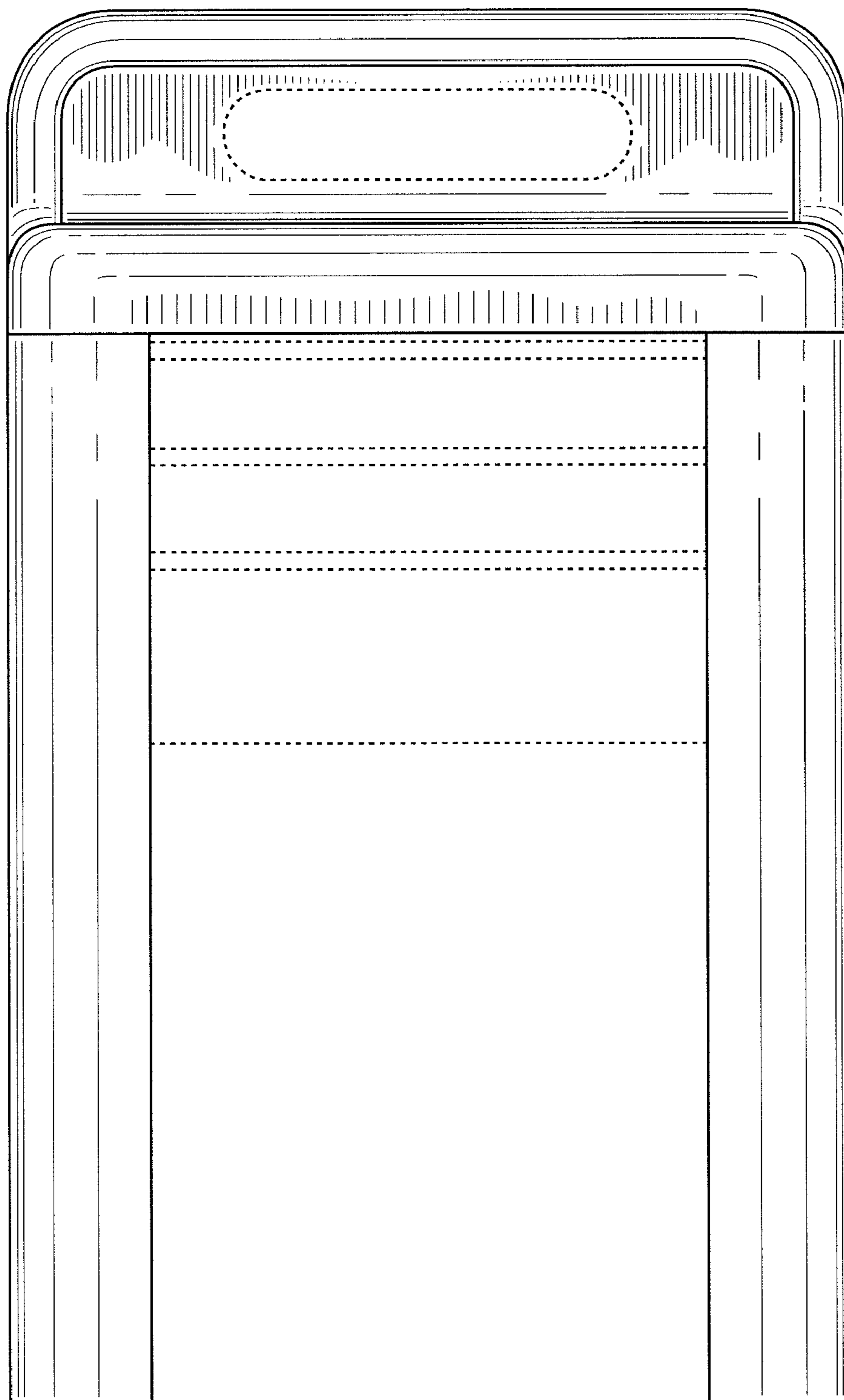


FIG. 4

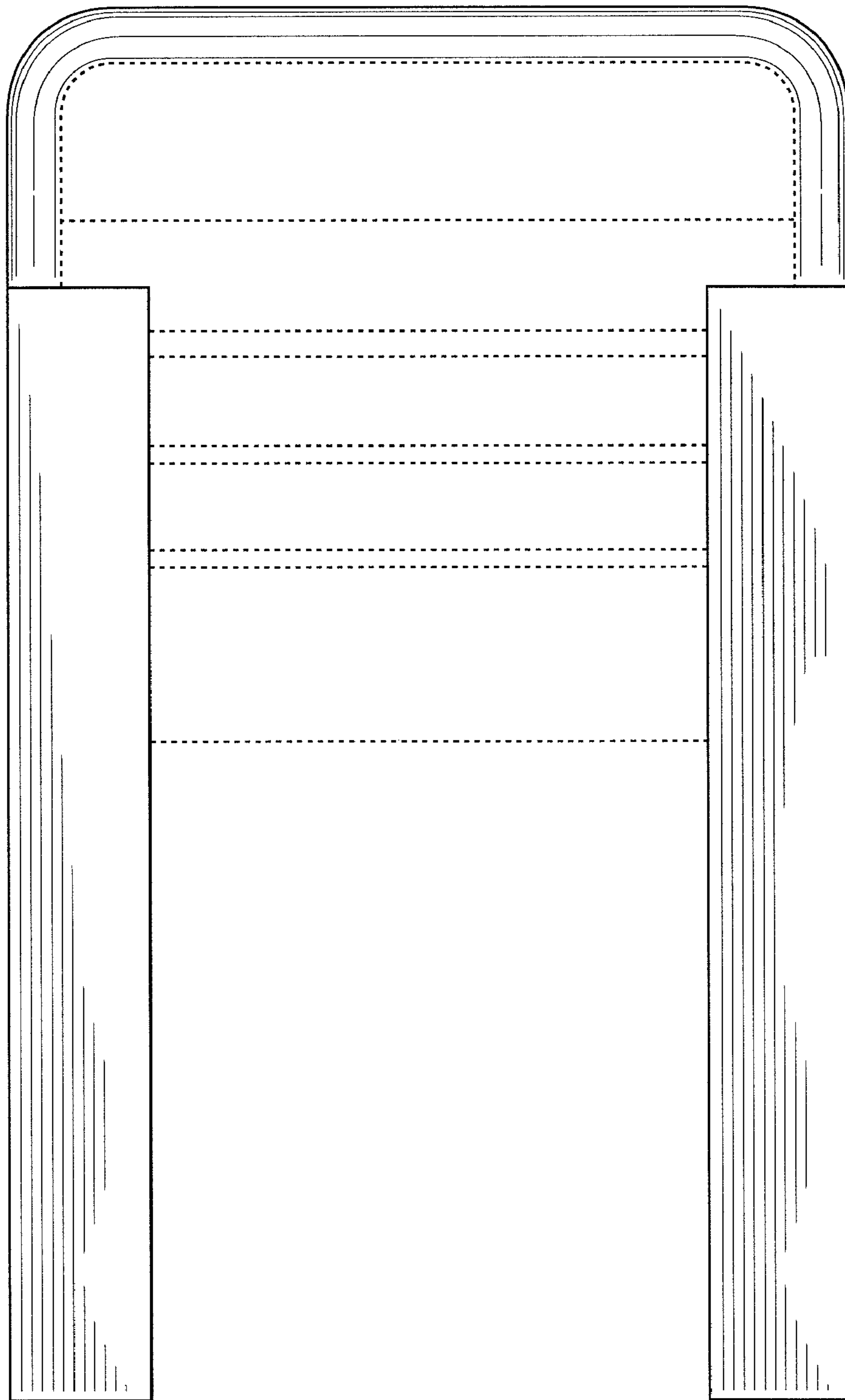


FIG. 5

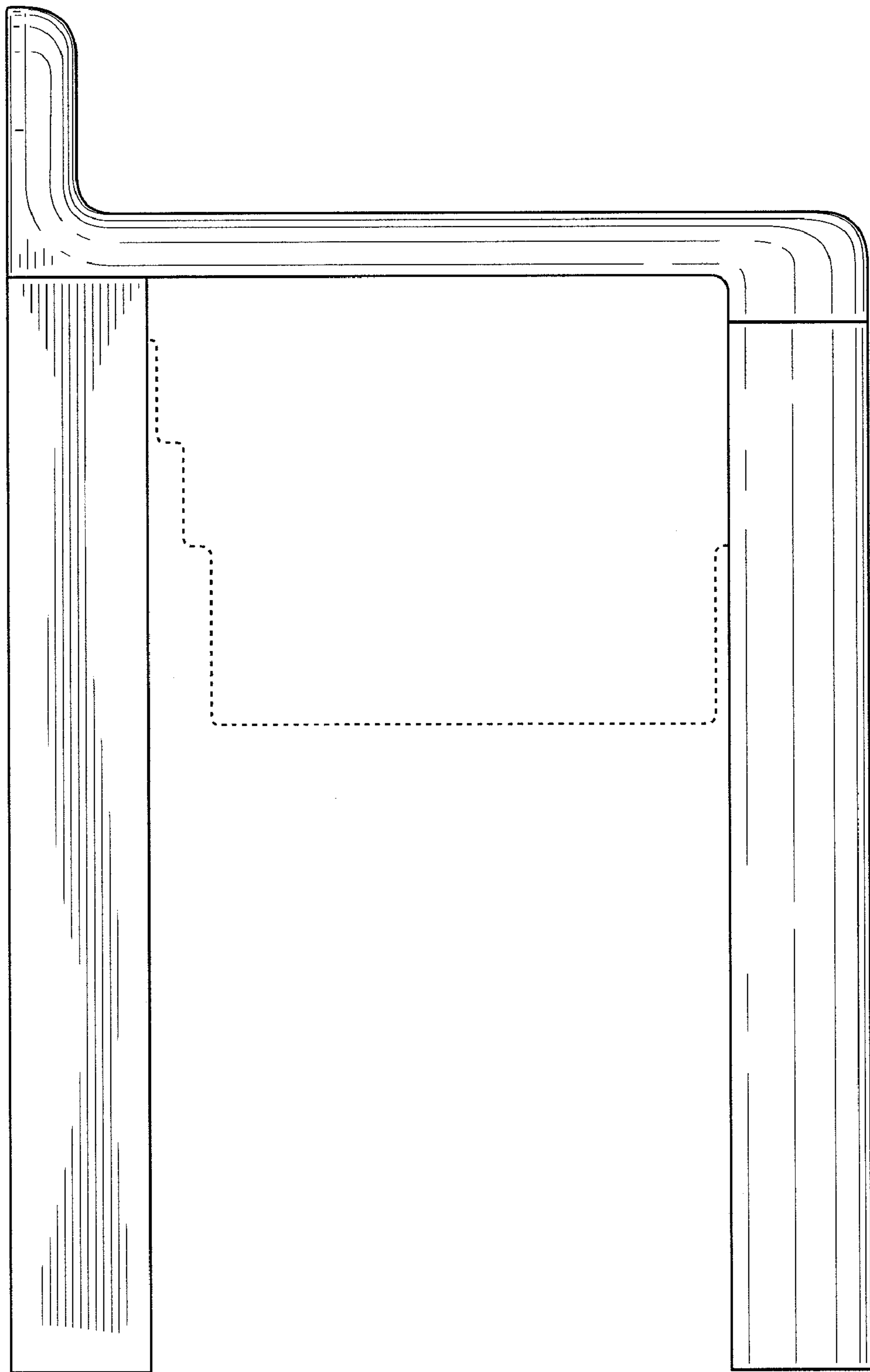


FIG. 6

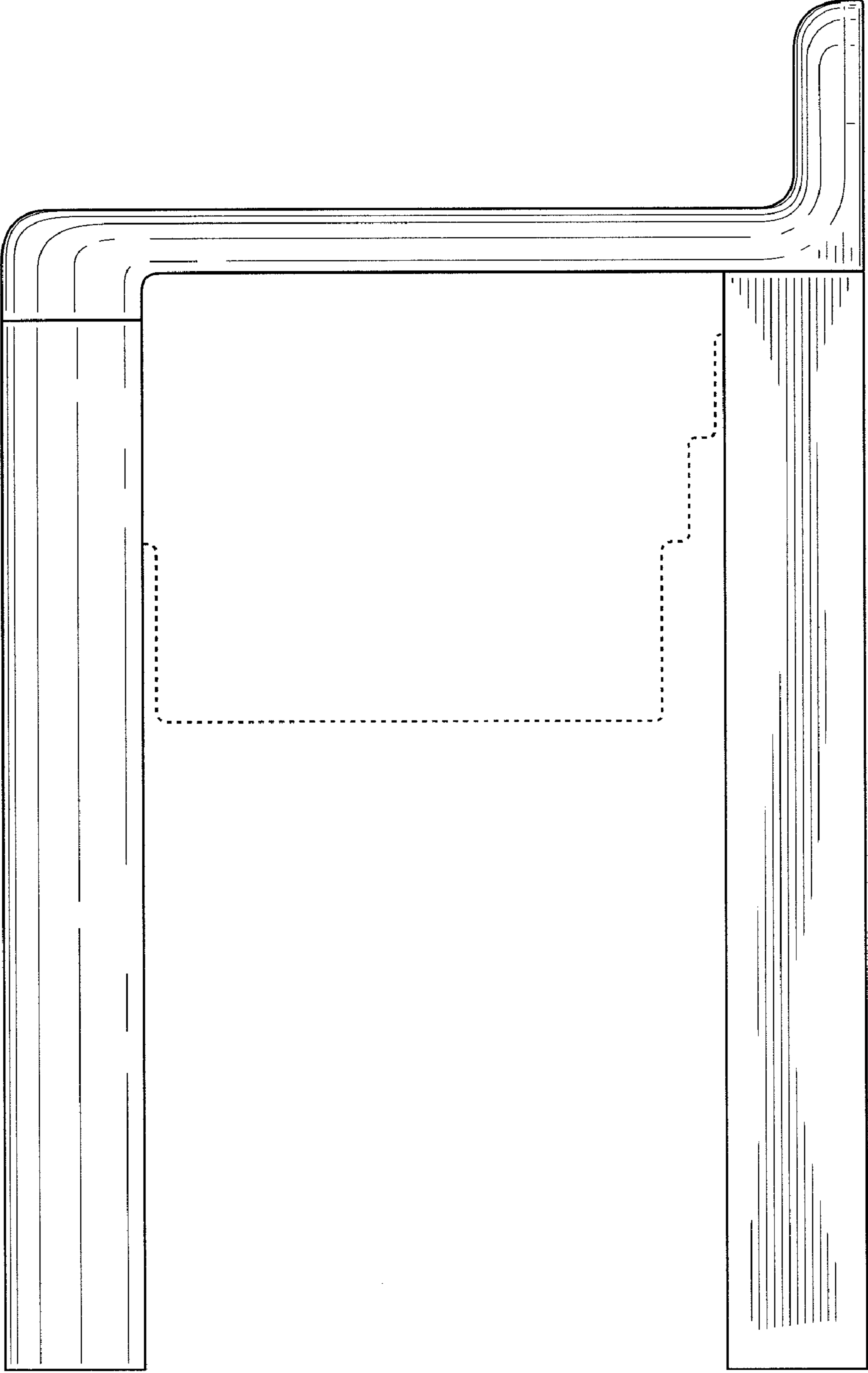


FIG. 7