



US00D603025S

(12) **United States Design Patent**
Mahon

(10) **Patent No.:** **US D603,025 S**

(45) **Date of Patent:** **** Oct. 27, 2009**

(54) **SINK**

(75) Inventor: **Terrence K. Mahon**, Milwaukee, WI
(US)

(73) Assignee: **Kohler Co.**, Kohler, WI (US)

(**) Term: **14 Years**

(21) Appl. No.: **29/338,011**

(22) Filed: **Jun. 3, 2009**

Related U.S. Application Data

(62) Division of application No. 29/198,905, filed on Feb. 6, 2004.

(51) **LOC (9) Cl.** **23-02**

(52) **U.S. Cl.** **D23/284**

(58) **Field of Classification Search** D23/270-274,
D23/284, 285, 291, 293.1, 303, 308; 4/619,
4/638, 650, 661

See application file for complete search history.

(56) **References Cited**

U.S. PATENT DOCUMENTS

- D348,308 S 6/1994 Ohaus et al.
- 6,154,895 A * 12/2000 Pisklak 4/619
- D539,877 S * 4/2007 Roberts D23/293.1
- D549,806 S * 8/2007 Taylor D23/284

OTHER PUBLICATIONS

Kohler Co. "Bakersfield" Single Basin Kitchen Sink. Kohler catalog, p. 16.29. Copyright 2000 Kohler Co.

Blanco. "Blancotec" Kitchen Sink. Catalog, p. 5.

* cited by examiner

Primary Examiner—Robert A Delehanty

(74) *Attorney, Agent, or Firm*—Quarles & Brady LLP

(57) **CLAIM**

The ornamental design for a sink, as shown and described.

DESCRIPTION

In a preferred embodiment, the nature of this product is as a plumbing fixture primarily useful for washing various objects.

FIG. 1 is a right, top, front perspective view of a sink embodying my new design;

FIG. 2 is a top plan view thereof;

FIG. 3 is a front elevational view thereof;

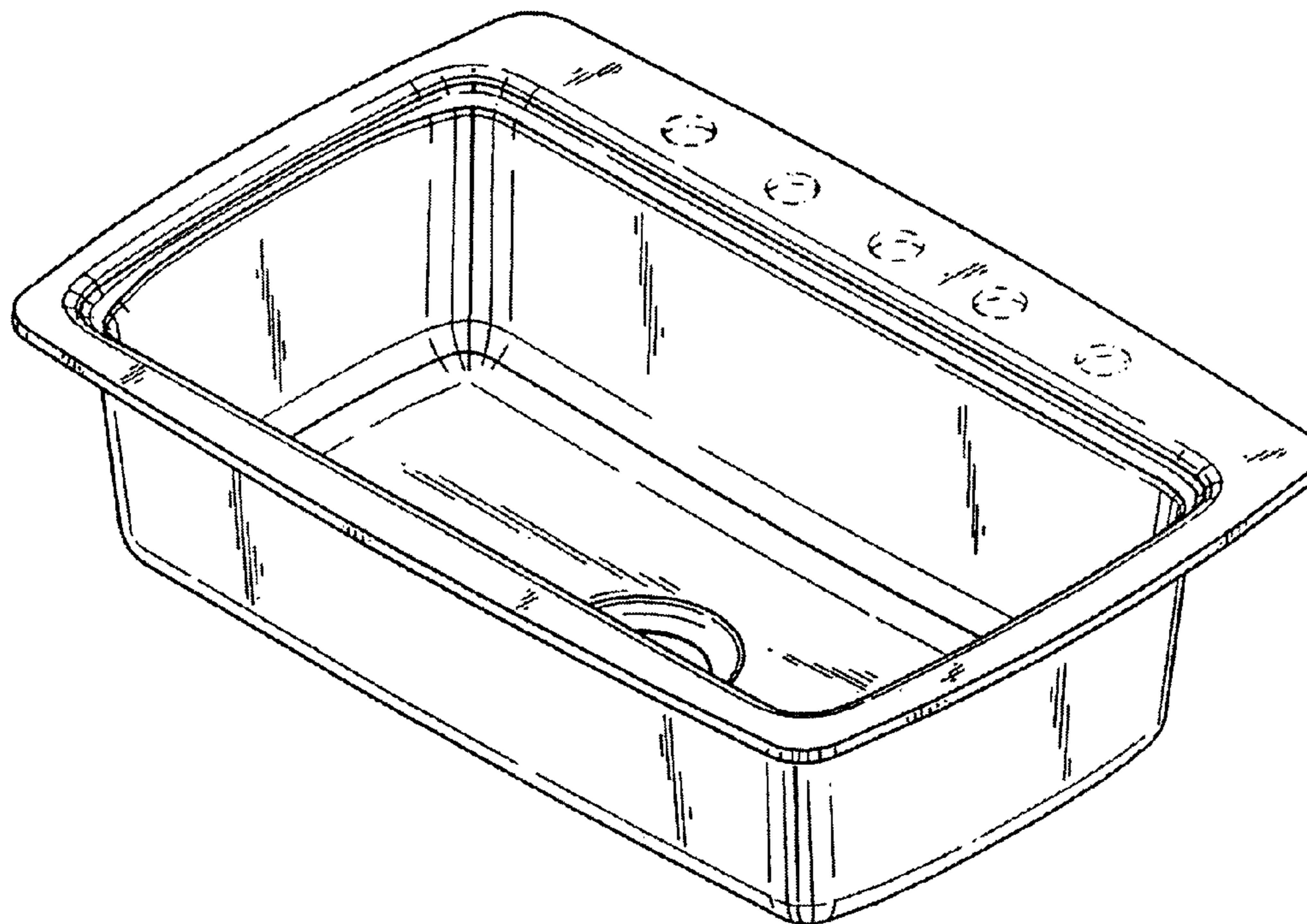
FIG. 4 is a right side elevational view thereof, the left side elevational view thereof being a mirror image of the right side shown;

FIG. 5 is a rear elevational view thereof; and,

FIG. 6 is a bottom plan view thereof.

The broken line representations are for the purpose of illustration only, and form no part of the claimed design.

1 Claim, 3 Drawing Sheets



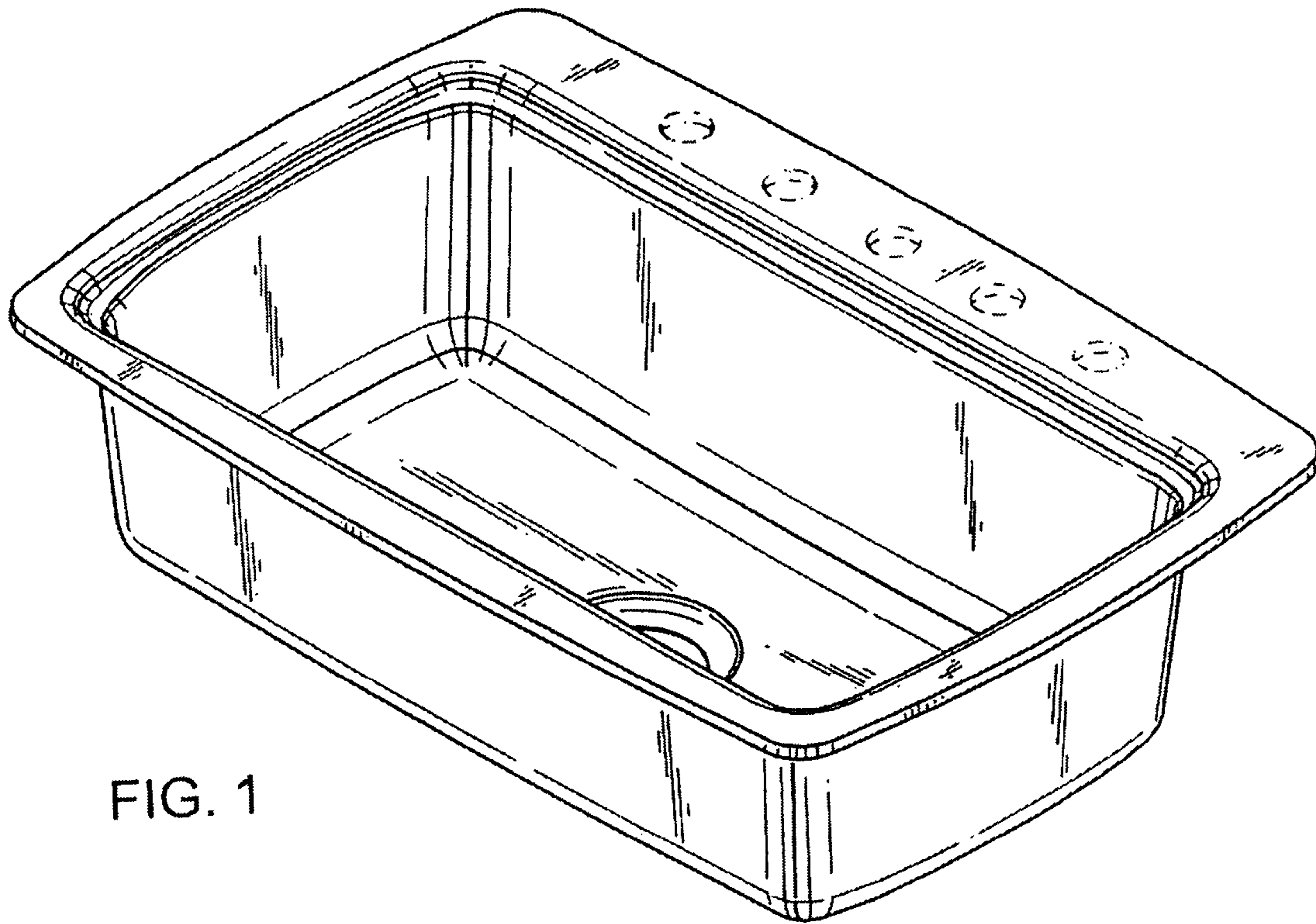
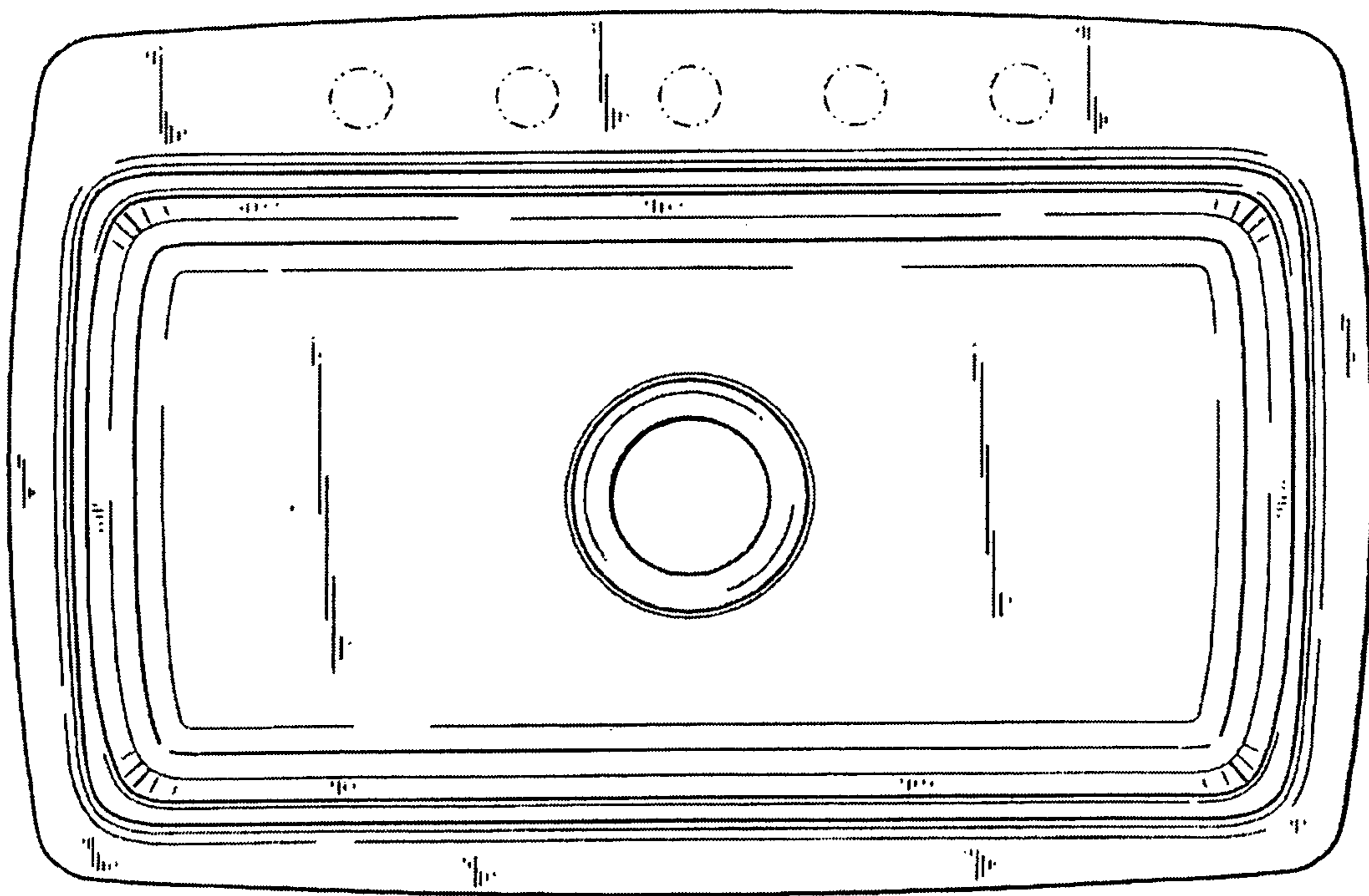


FIG. 1

FIG. 2



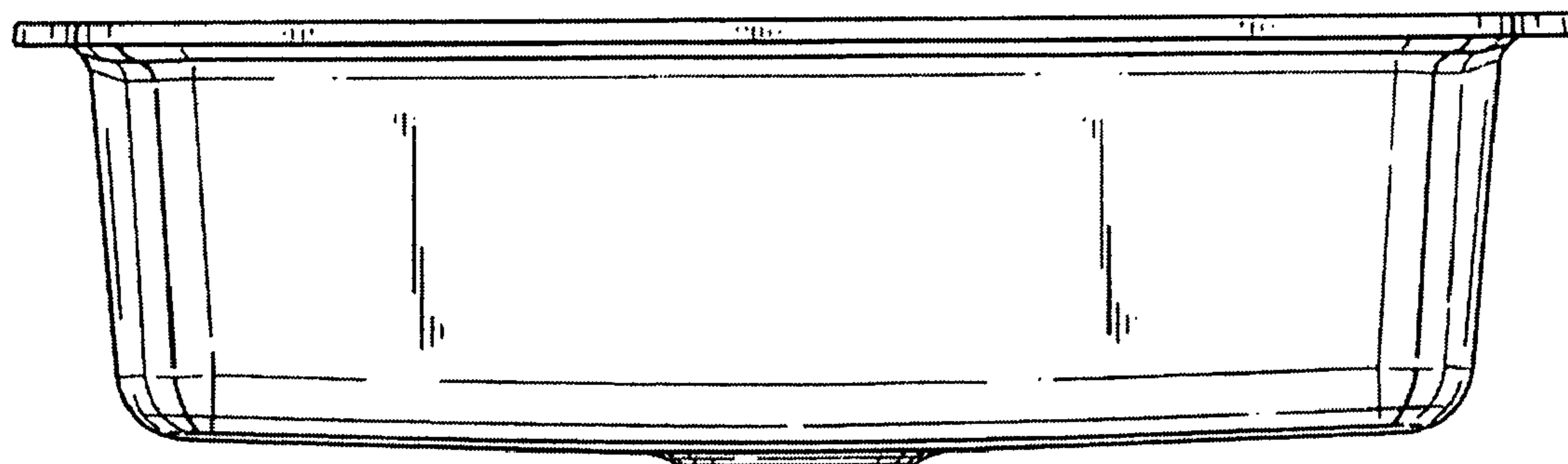


FIG. 3

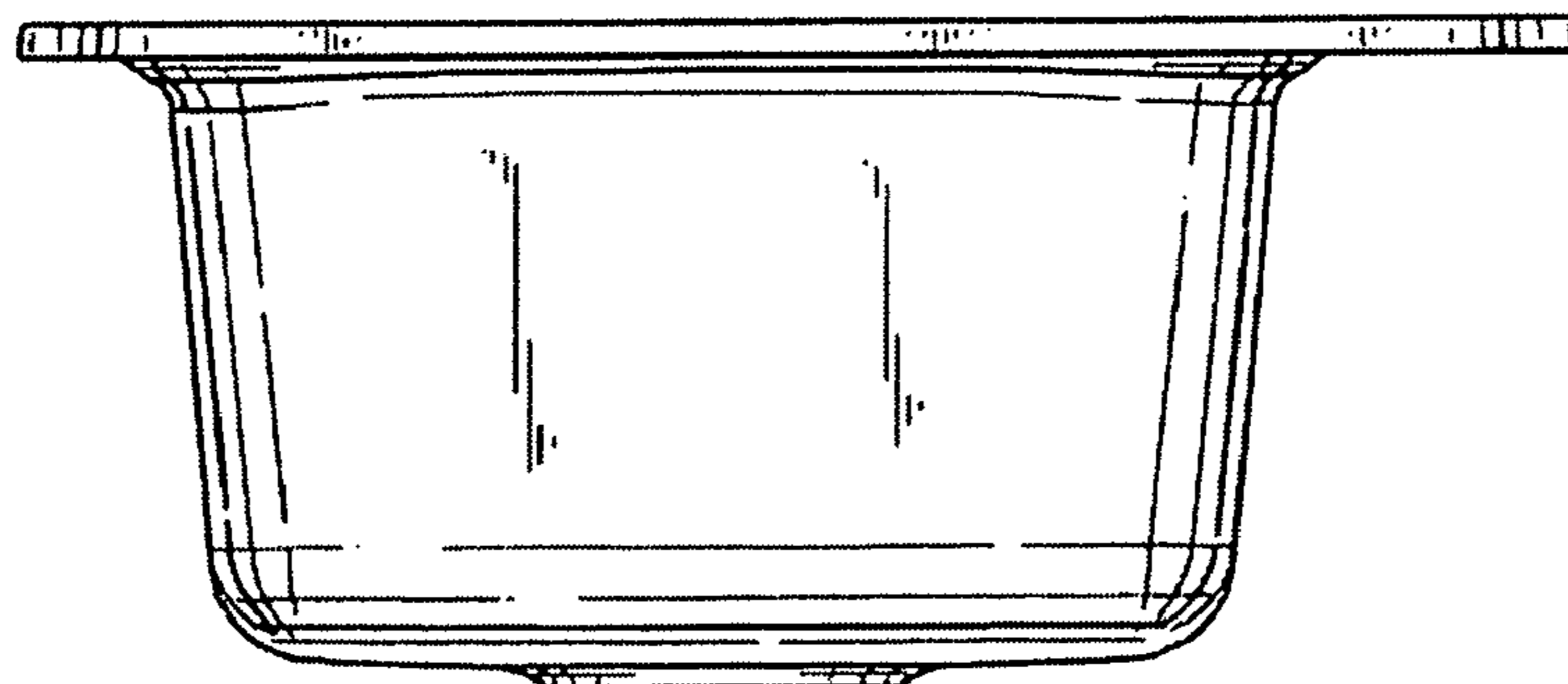


FIG. 4

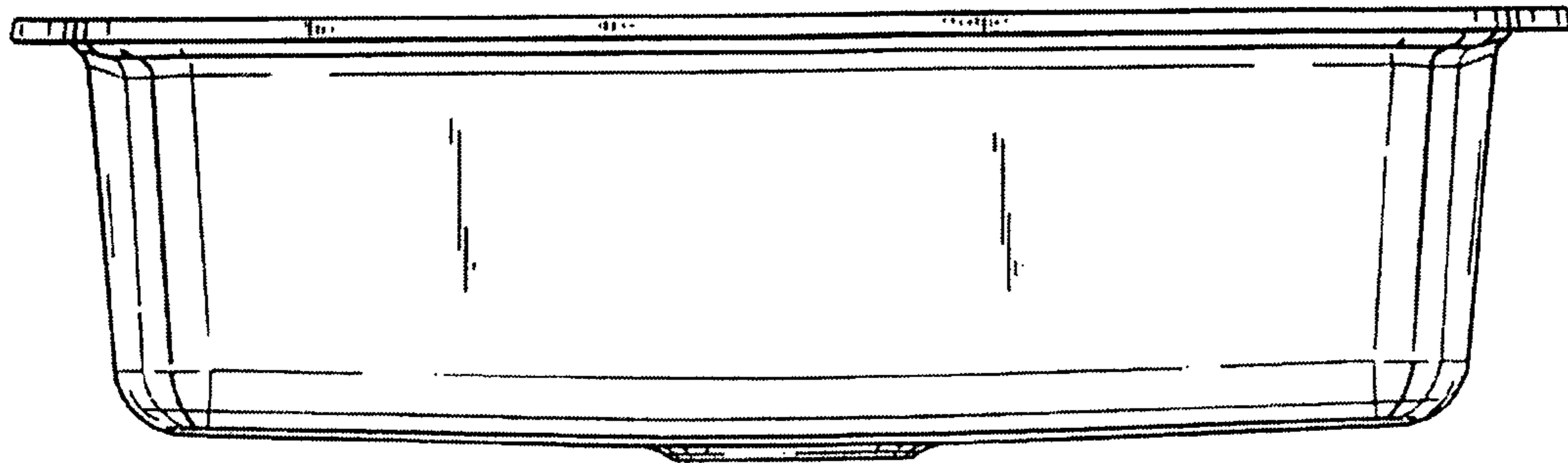


FIG. 5

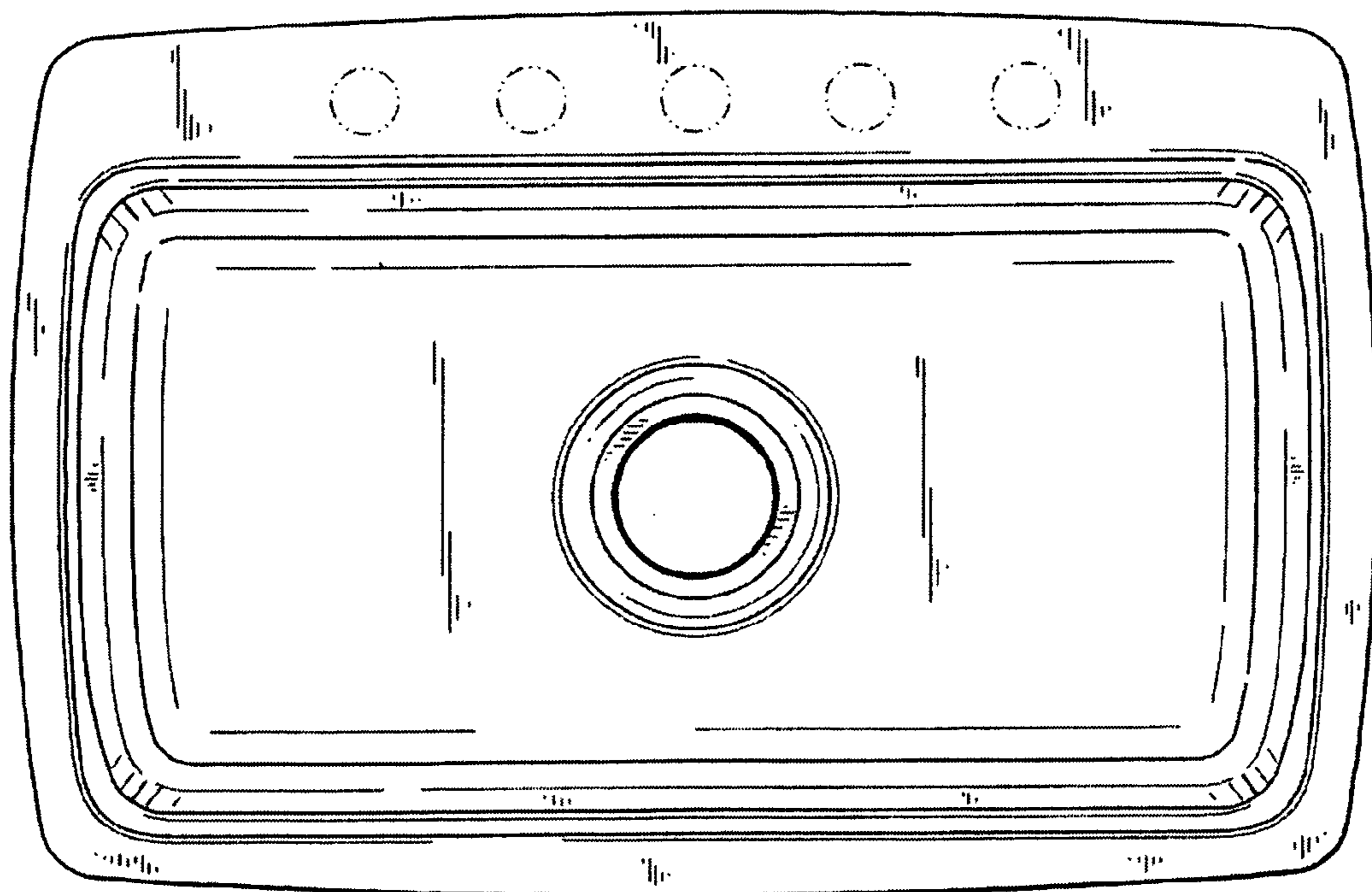


FIG. 6