



US00D603022S

(12) **United States Design Patent**  
**Schonherr et al.**

(10) **Patent No.:** **US D603,022 S**

(45) **Date of Patent:** **\*\* Oct. 27, 2009**

(54) **KITCHEN OR BATH CONTROL**

(75) Inventors: **Tom Schonherr**, Stuttgart (DE);  
**Manfred Dorn**, Stuttgart (DE)

(73) Assignee: **Hansgrohe AG**, Schiltach (DE)

(\*\*) Term: **14 Years**

(21) Appl. No.: **29/282,121**

(22) Filed: **Jul. 12, 2007**

(30) **Foreign Application Priority Data**

Jan. 15, 2007 (EM) ..... 000652490-0006

(51) **LOC (9) Cl.** ..... **23-01**

(52) **U.S. Cl.** ..... **D23/245; D23/254**

(58) **Field of Classification Search** ..... D23/254,  
D23/249, 213; D10/106; 700/85, 83; 345/156;  
138/46; 340/407.2; D13/168, 164

See application file for complete search history.

(56) **References Cited**

**U.S. PATENT DOCUMENTS**

D246,958	S	*	1/1978	Rakocy et al.	.....	D10/106
D290,640	S	*	6/1987	Andersson	.....	D23/249
D297,219	S	*	8/1988	Taylor	.....	D10/106
D316,292	S	*	4/1991	Baker	.....	D23/249
D340,202	S	*	10/1993	Fenne et al.	.....	D10/106
D345,782	S	*	4/1994	Short et al.	.....	D23/249
D364,108	S	*	11/1995	DeWitt	.....	D10/106
D383,407	S	*	9/1997	Repp et al.	.....	D10/106
D422,521	S	*	4/2000	Morrow	.....	D10/106
D442,675	S	*	5/2001	Burns et al.	.....	D23/254
6,571,831	B1	*	6/2003	Hart	.....	138/46

6,891,526	B2	*	5/2005	Gombert et al.	.....	345/156
D526,973	S	*	8/2006	Gates et al.	.....	D13/184
D541,228	S	*	4/2007	Thursfield	.....	D13/168
D550,816	S	*	9/2007	Grether	.....	D23/249
D570,961	S	*	6/2008	Grether	.....	D23/249
D575,235	S	*	7/2008	Downey	.....	D23/254
D577,100	S	*	9/2008	Brown et al.	.....	D23/213
D583,775	S	*	12/2008	Knoch	.....	D13/168
D584,384	S	*	1/2009	Schonherr et al.	.....	D23/254
D584,801	S	*	1/2009	Grether	.....	D23/249
D591,403	S	*	4/2009	Grether	.....	D23/249
D598,008	S	*	8/2009	Shimizu	.....	D14/218
2007/0233289	A1	*	10/2007	Arai et al.	.....	700/85

\* cited by examiner

*Primary Examiner*—Cathron C Brooks

*Assistant Examiner*—Austin Murphy

(74) *Attorney, Agent, or Firm*—Nirav D. Parikh; Edgar A. Zarins

(57) **CLAIM**

The ornamental design for a kitchen or bath control, as shown and described.

**DESCRIPTION**

FIG. 1 is a front perspective view of a kitchen or bath control showing our design;

FIG. 2 is a front elevational view thereof;

FIG. 3 is a rear elevational view thereof;

FIG. 4 is a left side elevational view thereof; the right side elevational view being a mirror image thereof; and,

FIG. 5 is a top plan view thereof; the bottom plan view being a mirror image thereof.

**1 Claim, 5 Drawing Sheets**

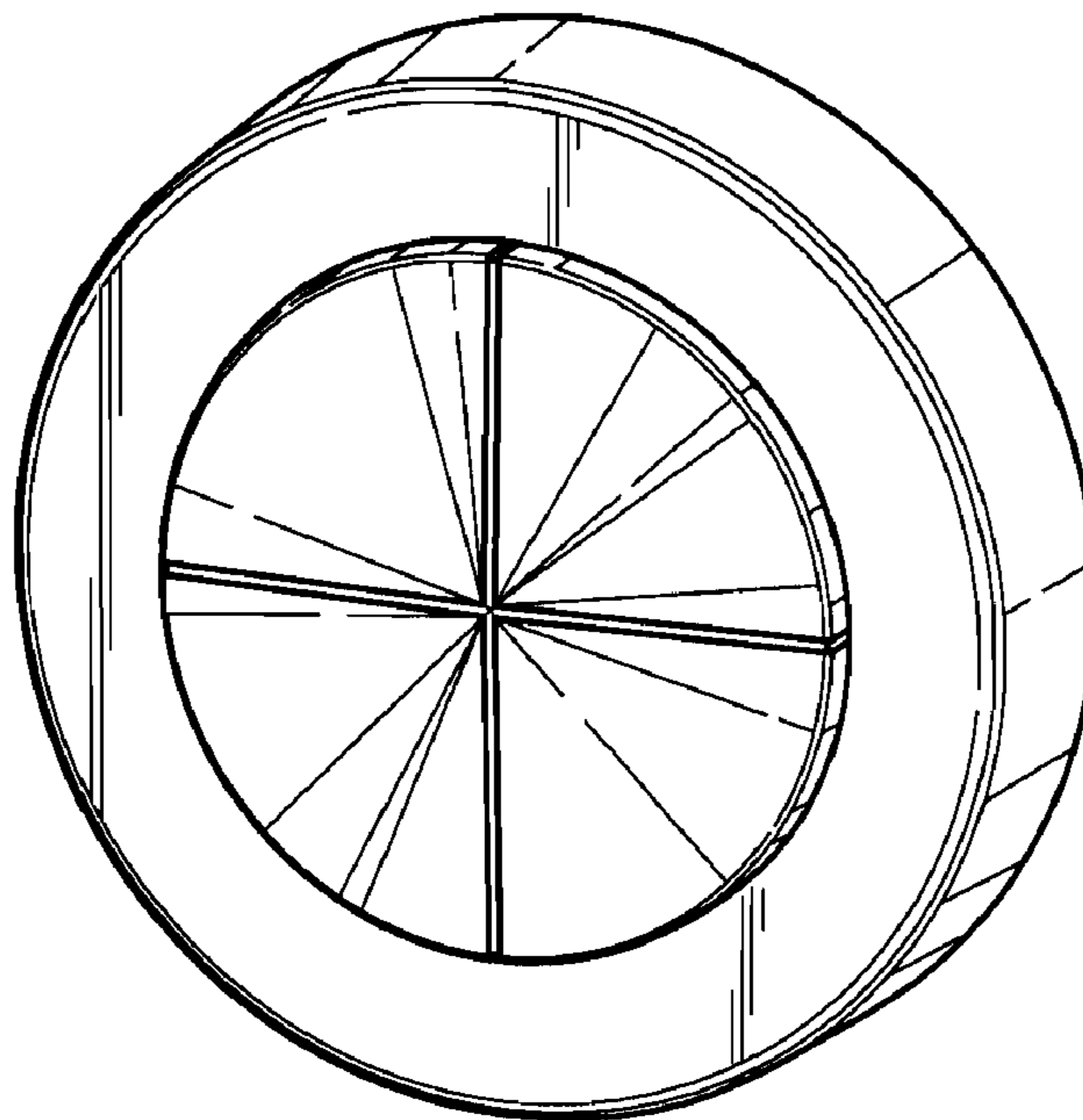


FIG. 1

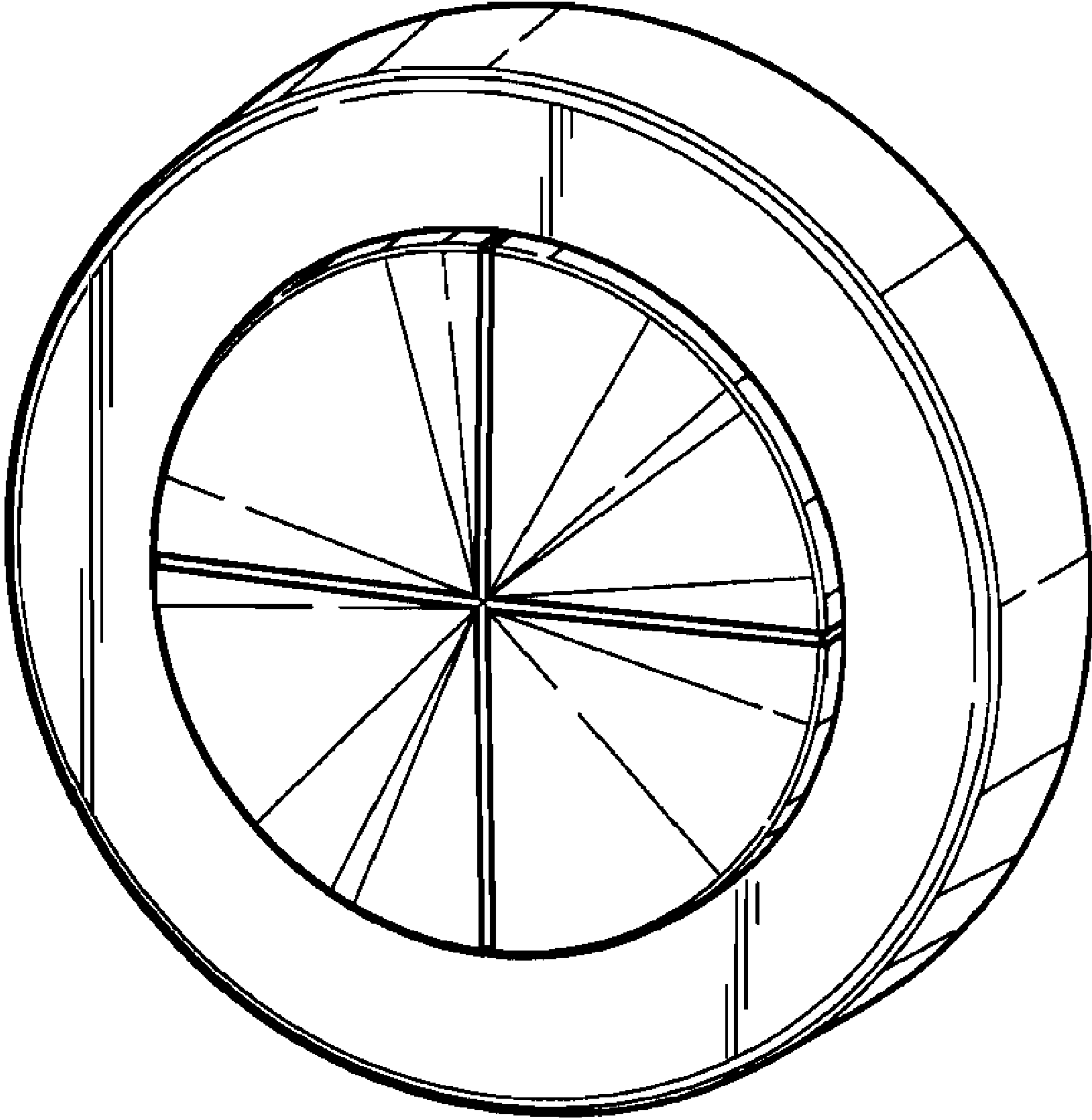


FIG. 2

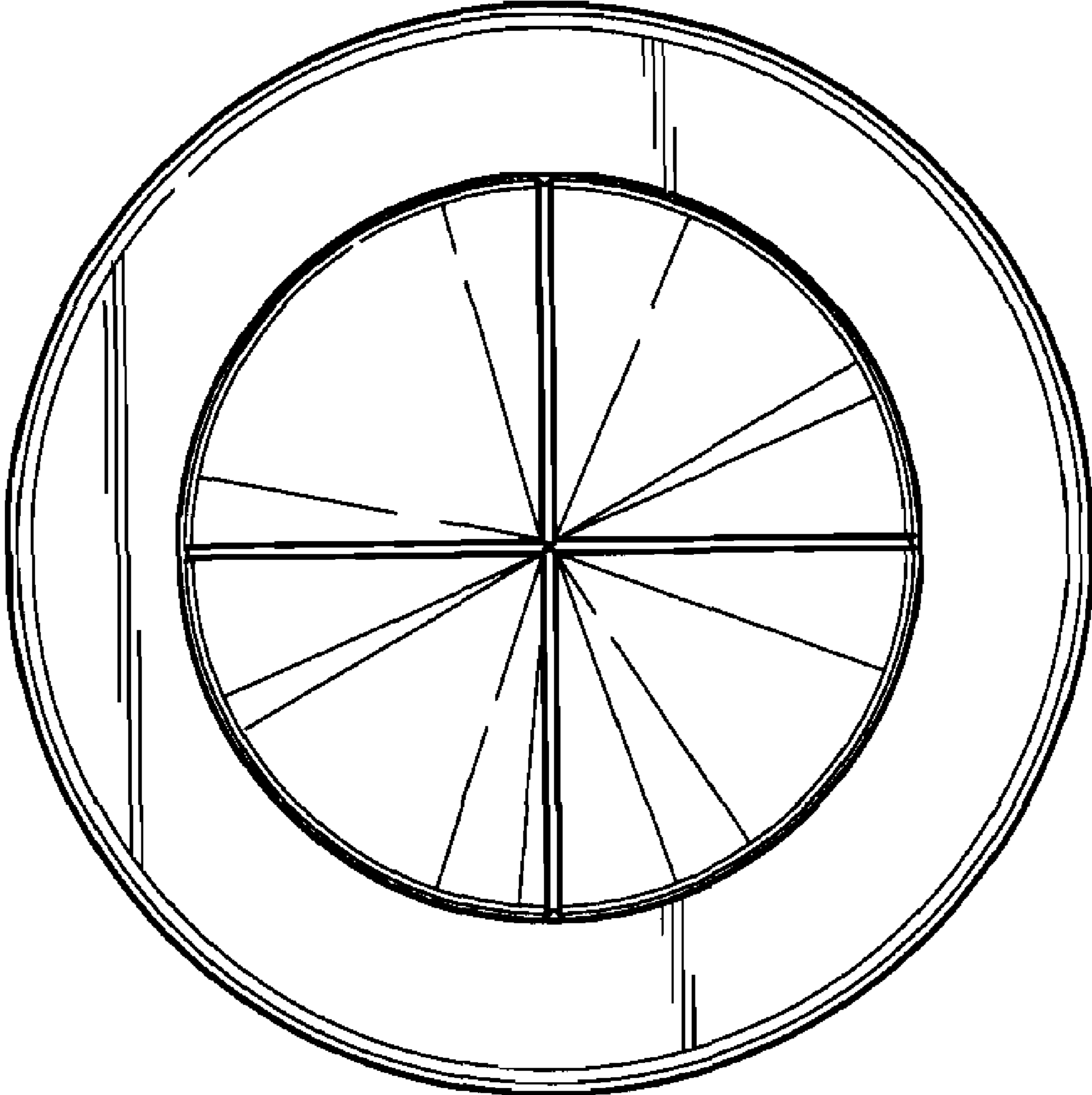


FIG. 3

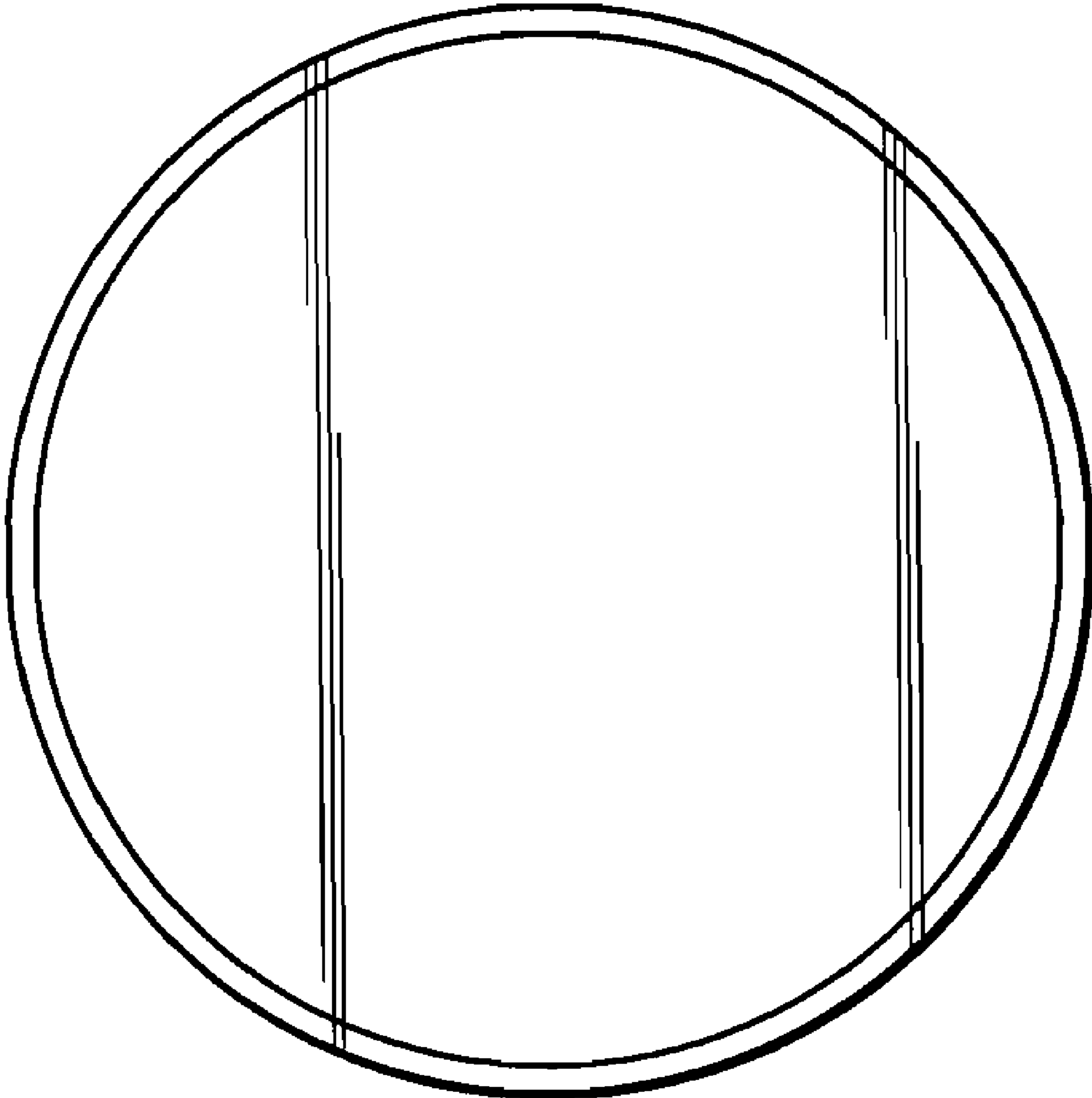


FIG. 4

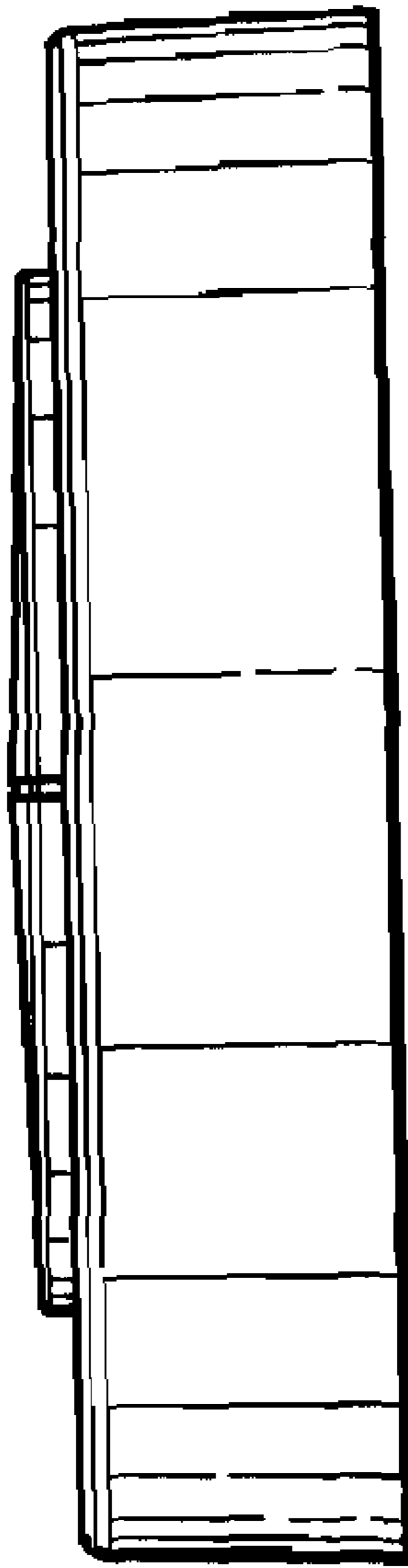


FIG. 5

