



US00D603021S

(12) **United States Design Patent**
Roy

(10) **Patent No.:** **US D603,021 S**
(45) **Date of Patent:** **** Oct. 27, 2009**

(54) **PILLAR TAP**

(75) Inventor: **Annette Roy**, Duesseldorf (DE)

(73) Assignee: **Grohe AG**, Hemer (DE)

(**) Term: **14 Years**

(21) Appl. No.: **29/330,384**

(22) Filed: **Jan. 6, 2009**

(30) **Foreign Application Priority Data**

Jul. 29, 2008 (EM) 000978705-0002

(51) **LOC (9) Cl.** **23-01**

(52) **U.S. Cl.** **D23/238**

(58) **Field of Classification Search** D23/239-243,
D23/250-254, 255-257; 4/675-678; 137/801;
16/110.1; D8/300, 307-312; D6/512, 524,
D6/546, 550

See application file for complete search history.

(56) **References Cited**

U.S. PATENT DOCUMENTS

D487,923 S * 3/2004 Fraser et al. D23/255
D519,190 S * 4/2006 Lord D23/238
D573,696 S * 7/2008 Eilmus D23/255

* cited by examiner

Primary Examiner—Robert A Delehanty

(74) *Attorney, Agent, or Firm*—Muncy, Geissler, Olds & Lowe, PLLC

(57) **CLAIM**

The ornamental design of a pillar tap, as shown and described.

DESCRIPTION

FIG. 1 is a perspective view of a pillar tap according to a first embodiment of the present invention;

FIG. 2 is a left side elevational view of the pillar tap of FIG. 1;

FIG. 3 is a right side elevational view of the pillar tap of FIG. 1;

FIG. 4 is a rear elevational view of the pillar tap of FIG. 1;

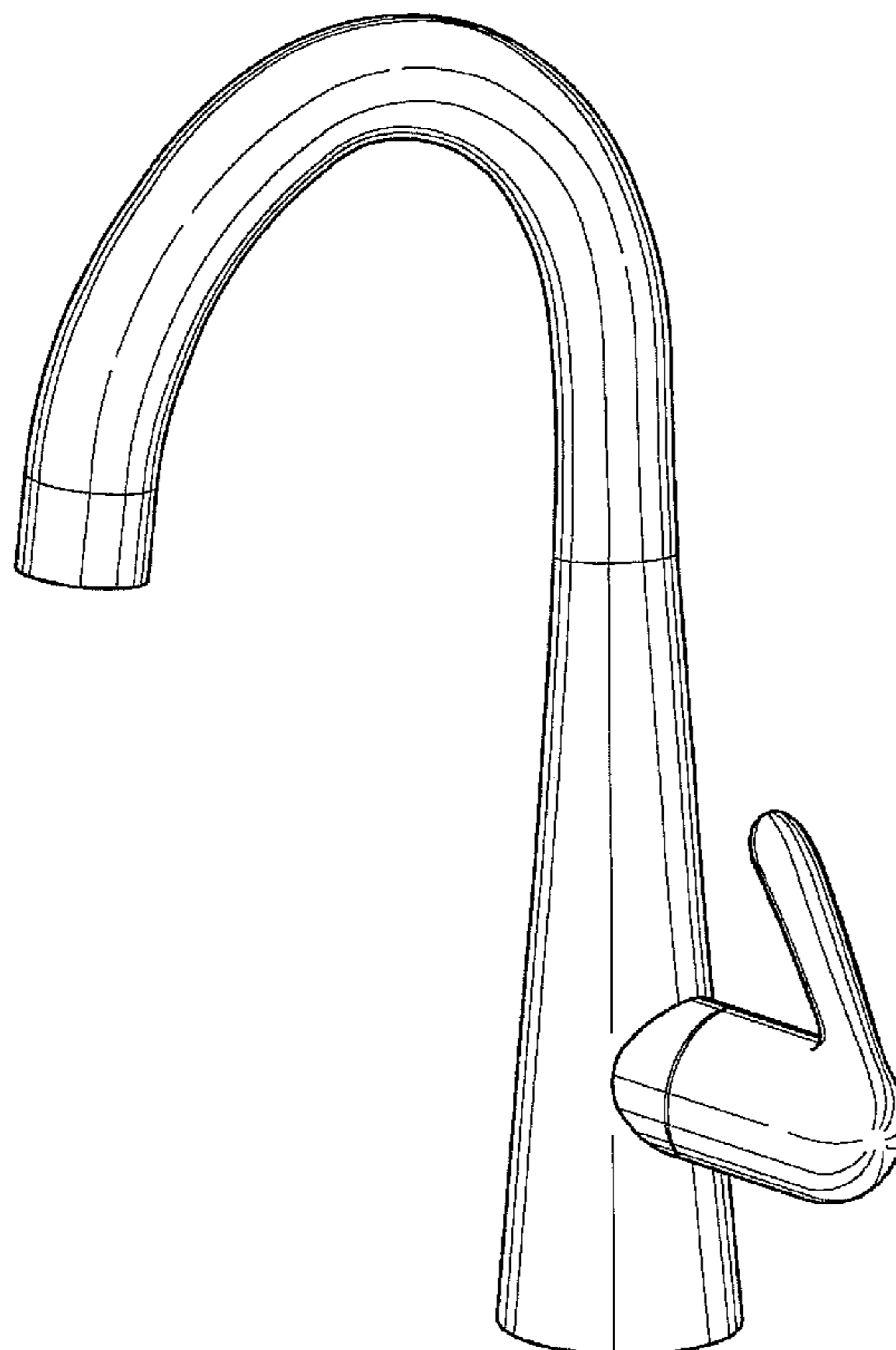
FIG. 5 is a front elevational view of the pillar tap of FIG. 1;

FIG. 6 is a bottom plan view of the pillar tap of FIG. 1; and,

FIG. 7 is a top plan view of the pillar tap of FIG. 1.

The dashed lines illustrate environment that does not form a part of the present invention, and no claim is made to the material illustrated with dashed lines.

1 Claim, 7 Drawing Sheets



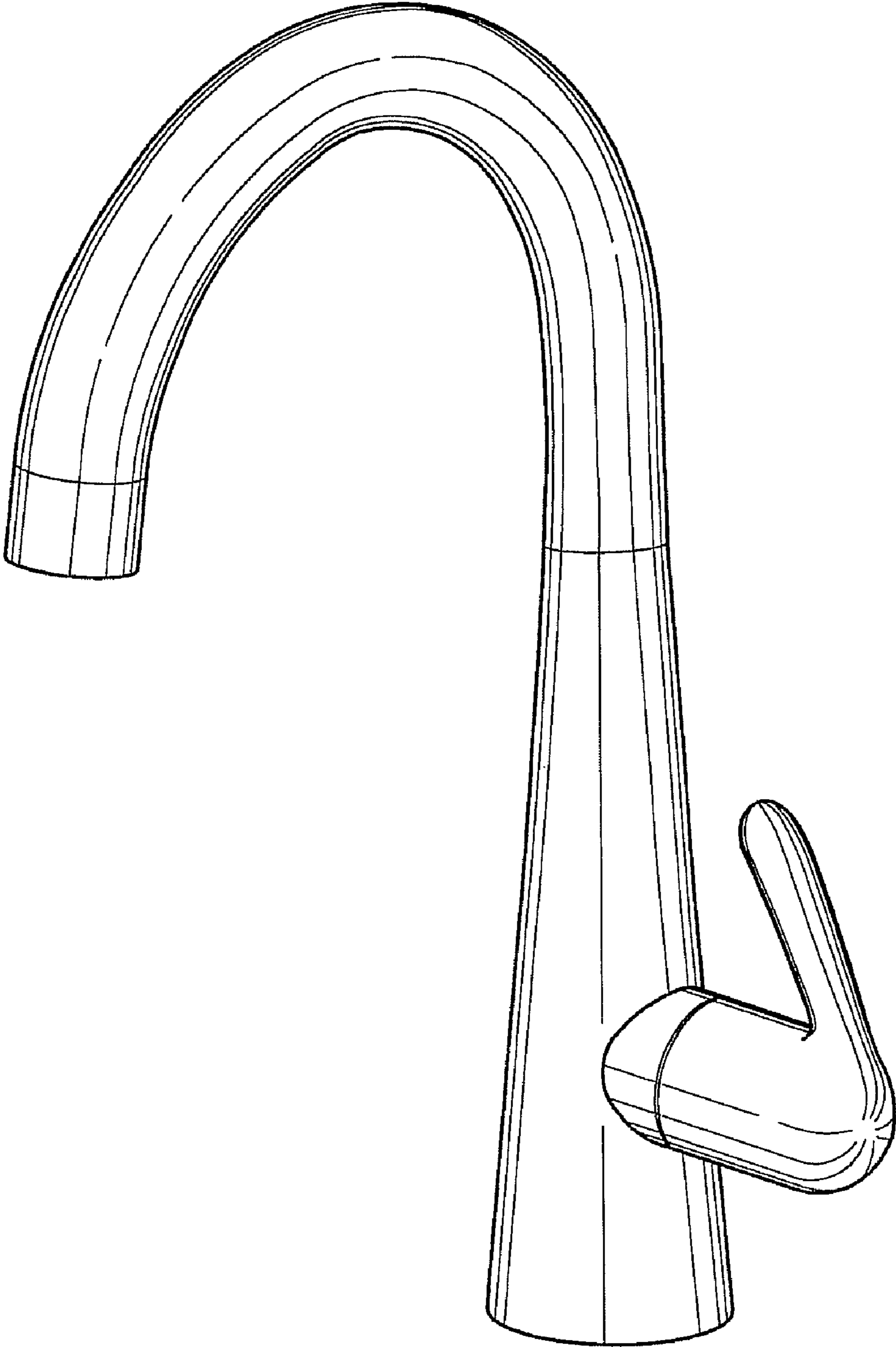


FIG. 1

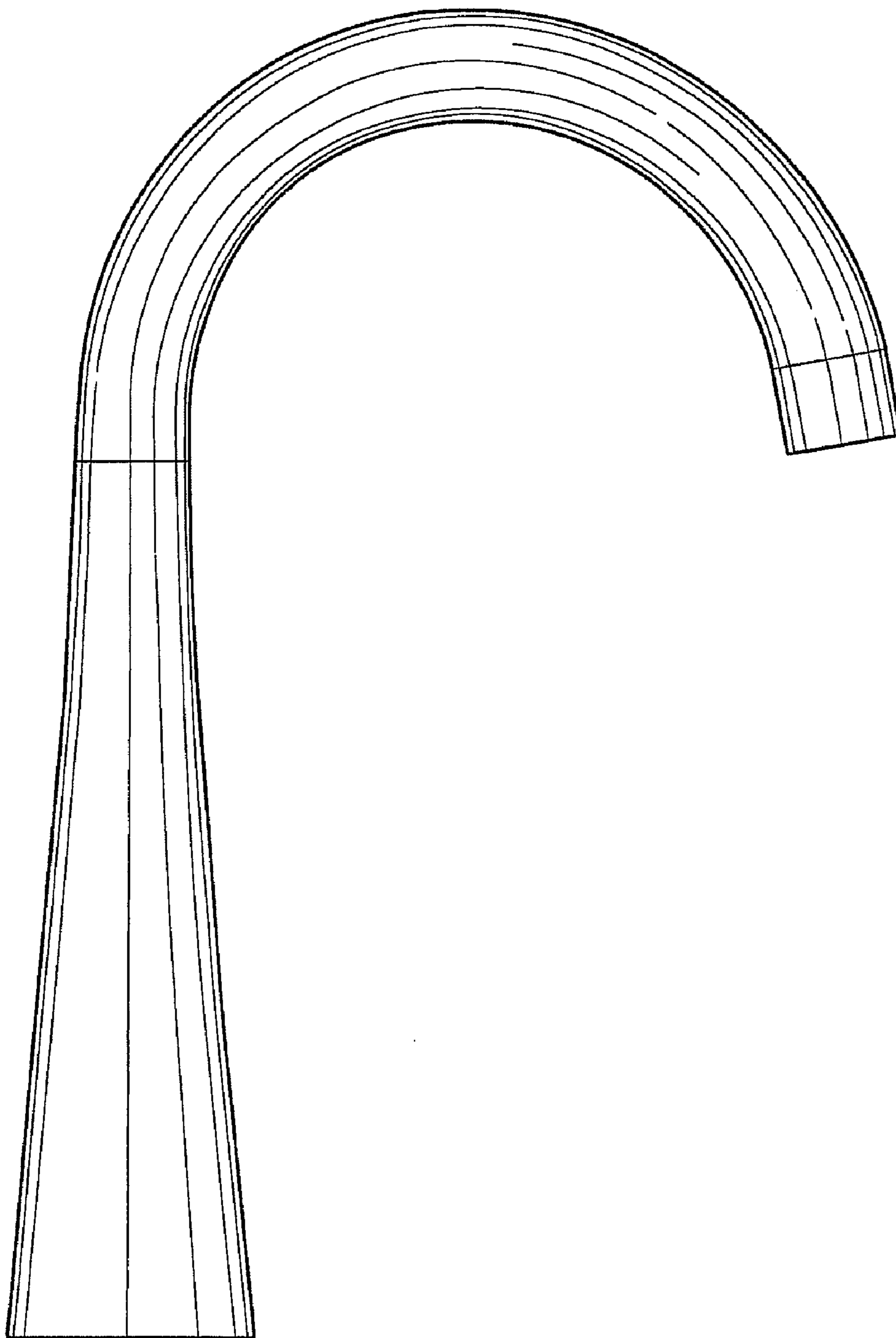


FIG. 2

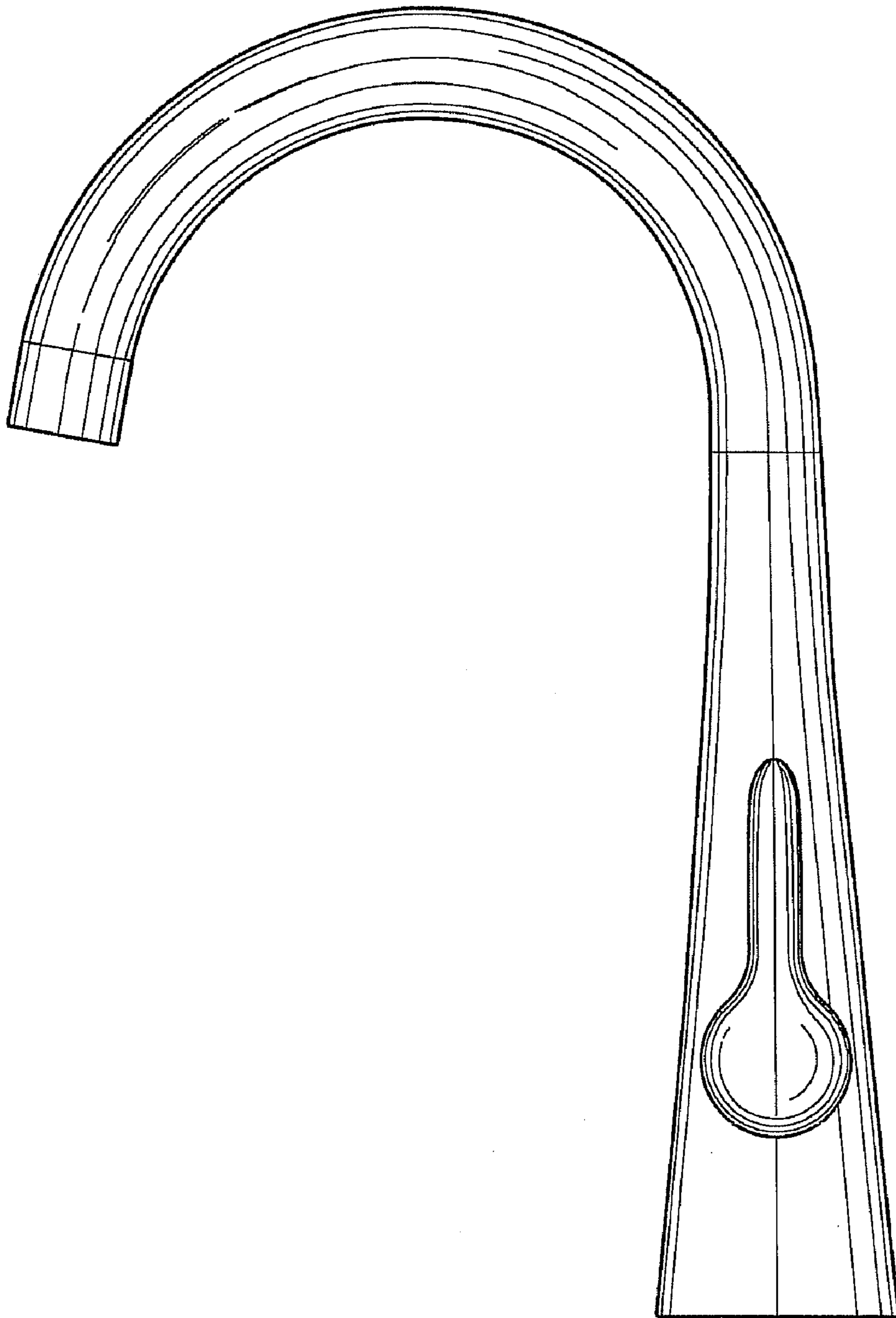


FIG. 3

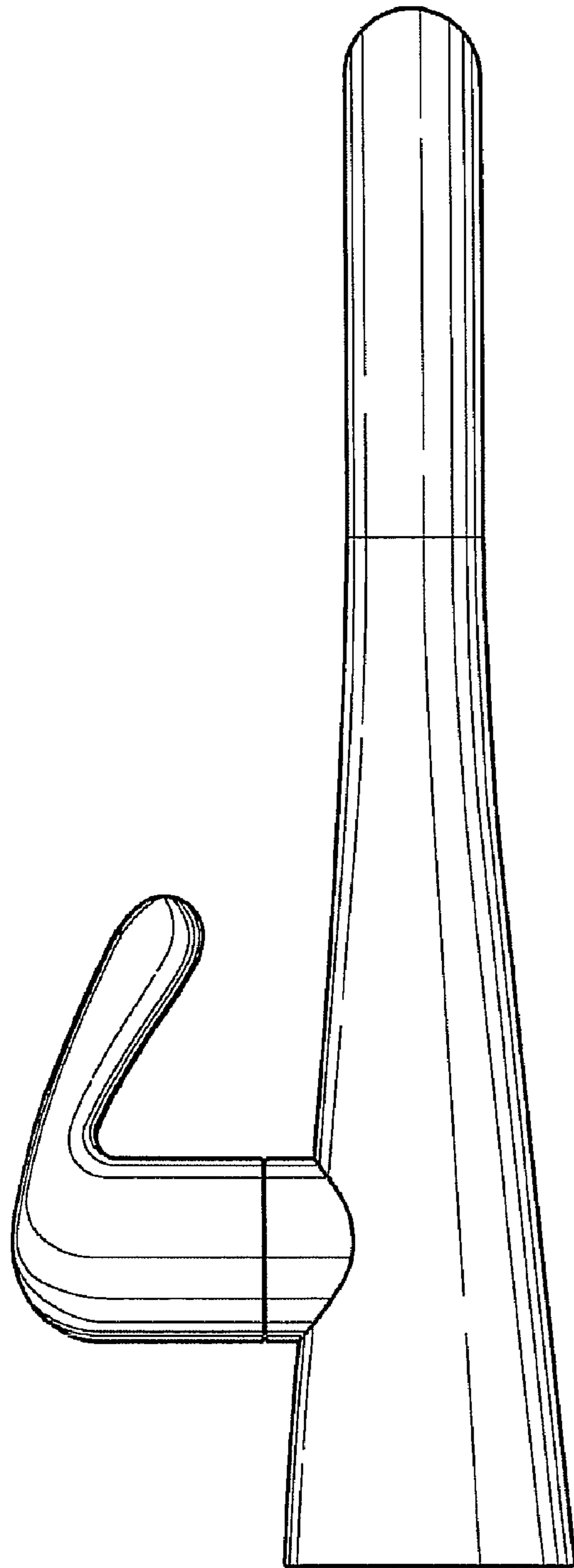


FIG. 4

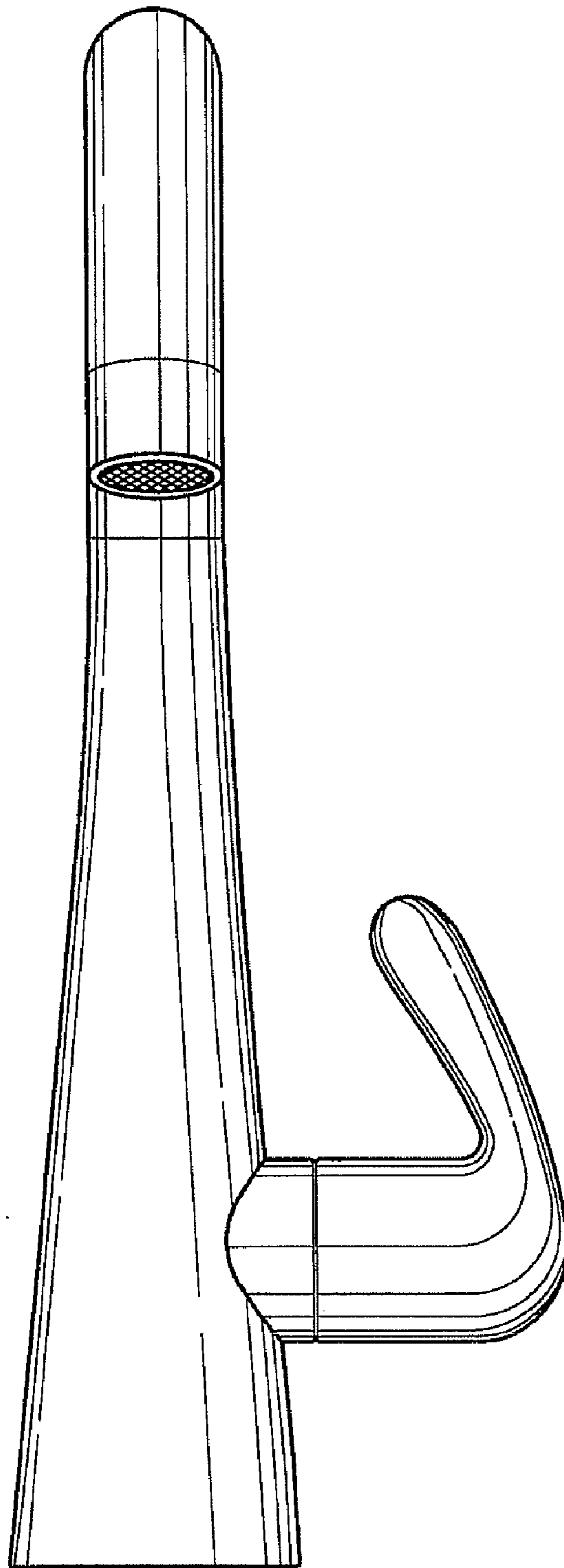


FIG. 5

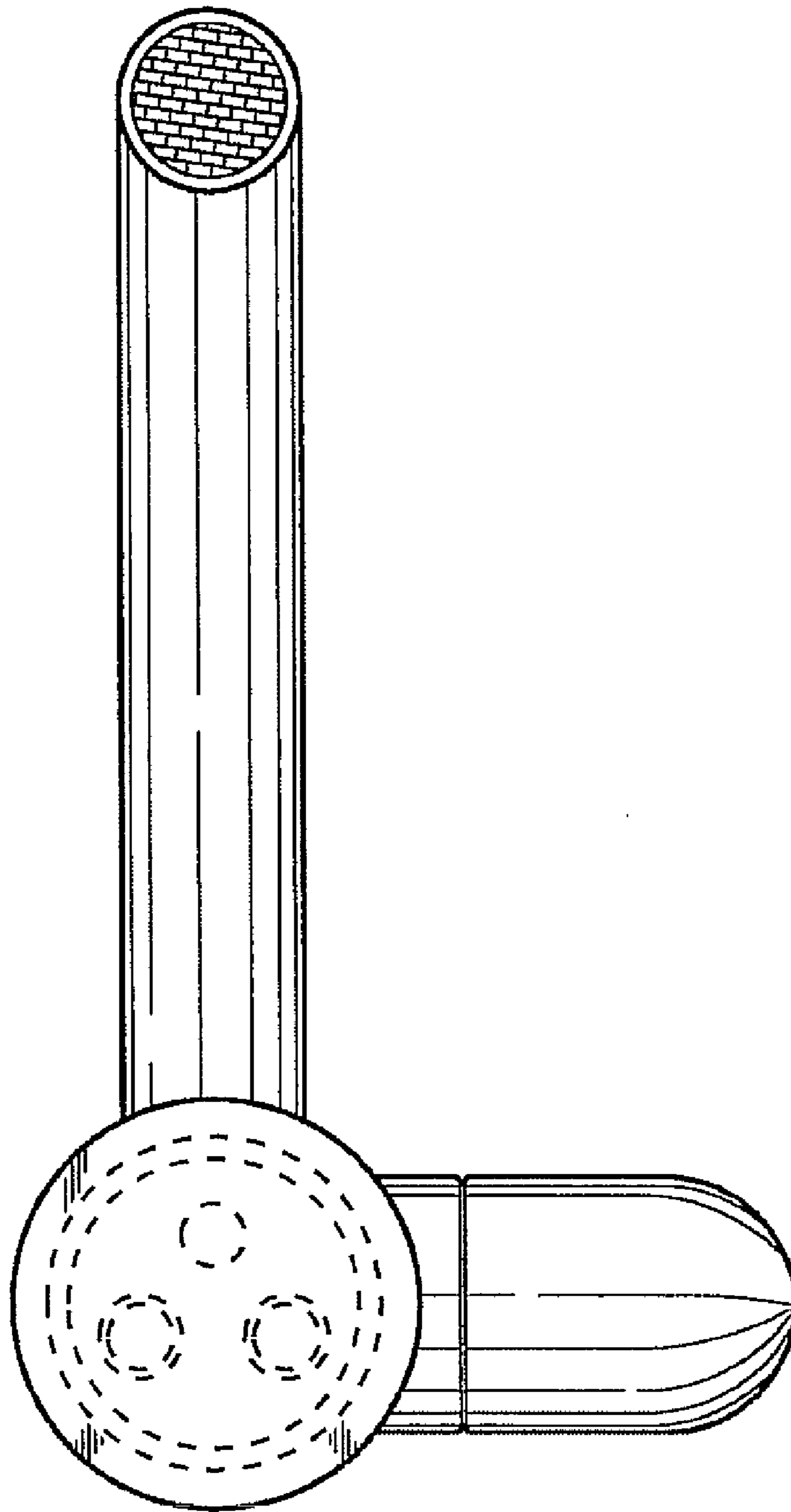


FIG. 6

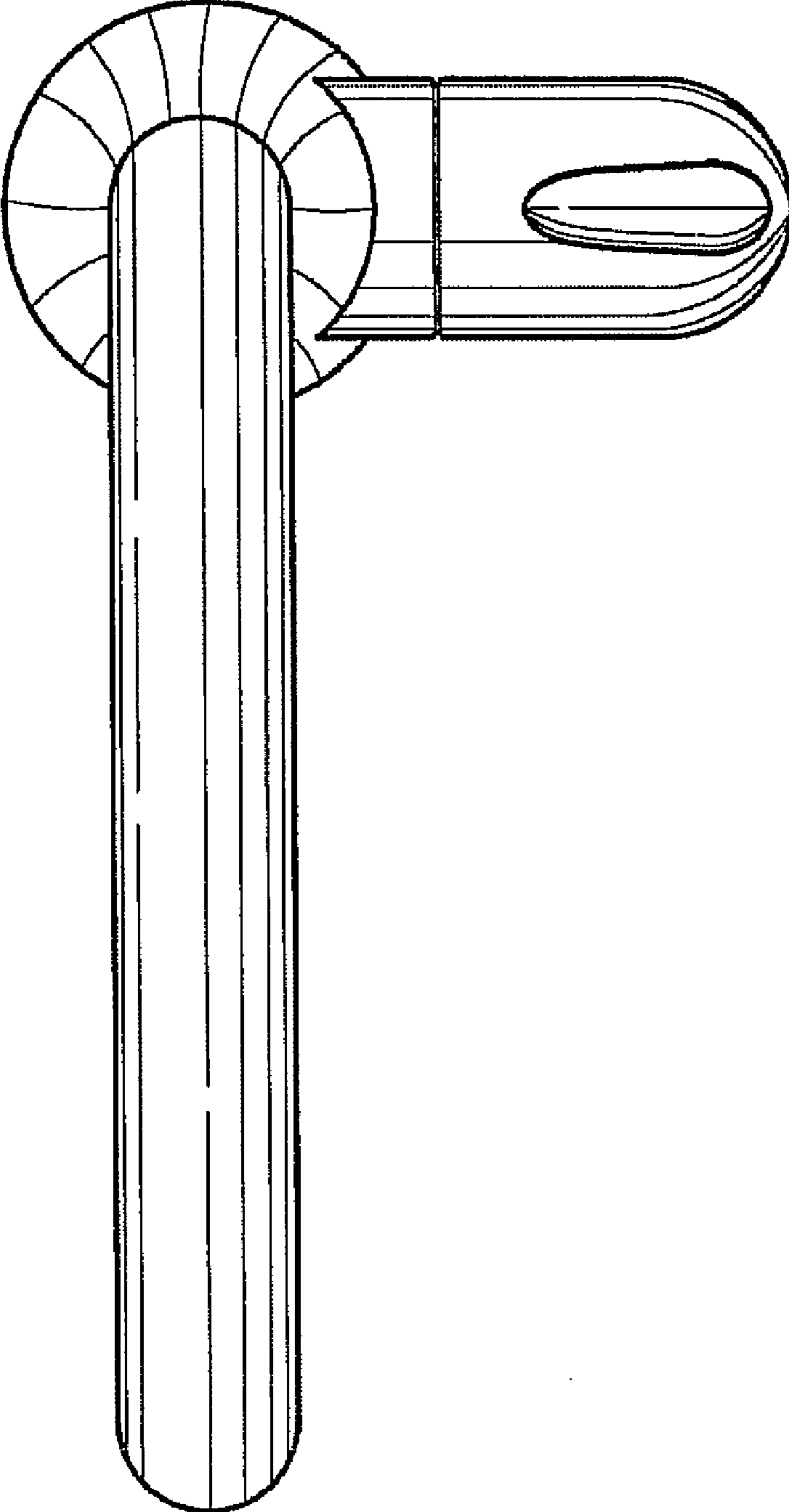


FIG. 7