

US00D603019S

(12) **United States Design Patent**
Flowers et al.

(10) **Patent No.:** **US D603,019 S**
(45) **Date of Patent:** **** Oct. 27, 2009**

(54) **DECK MOUNTED FAUCET**

(75) Inventors: **Paul Flowers**, Duesseldorf (DE);
Patrick Speck, Duesseldorf (DE)

(73) Assignee: **Grohe AG**, Hemer (DE)

(**) Term: **14 Years**

(21) Appl. No.: **29/329,099**

(22) Filed: **Dec. 9, 2008**

(30) **Foreign Application Priority Data**

Jun. 25, 2008 (EM) 000958665-0006

(51) **LOC (9) Cl.** **23-01**

(52) **U.S. Cl.** **D23/238**

(58) **Field of Classification Search** D23/239-243,
D23/250-254, 255-257; 4/675-678; 137/801;
16/110.1; D8/300, 307-312; D6/512, 524,
D6/546, 550

See application file for complete search history.

(56) **References Cited**

U.S. PATENT DOCUMENTS

- D368,958 S * 4/1996 Hill et al. D23/255
- D524,416 S * 7/2006 Haug et al. D23/238
- D534,245 S * 12/2006 Egli et al. D23/238
- D582,520 S * 12/2008 Lobermeier et al. D23/242

* cited by examiner

Primary Examiner—Robert A Delehanty

(74) *Attorney, Agent, or Firm*—Muncy, Geissler, Olds & Lowe, PLLC

(57) **CLAIM**

The ornamental design of a deck-mounted faucet, as shown and described.

DESCRIPTION

FIG. 1 is a perspective view of a deck-mounted faucet according to a first embodiment of the present invention;

FIG. 2 is a front elevational view of the deck-mounted faucet of FIG. 1;

FIG. 3 is a left side elevational view of the deck-mounted faucet of FIG. 1;

FIG. 4 is a right side elevational view of the deck-mounted faucet of FIG. 1;

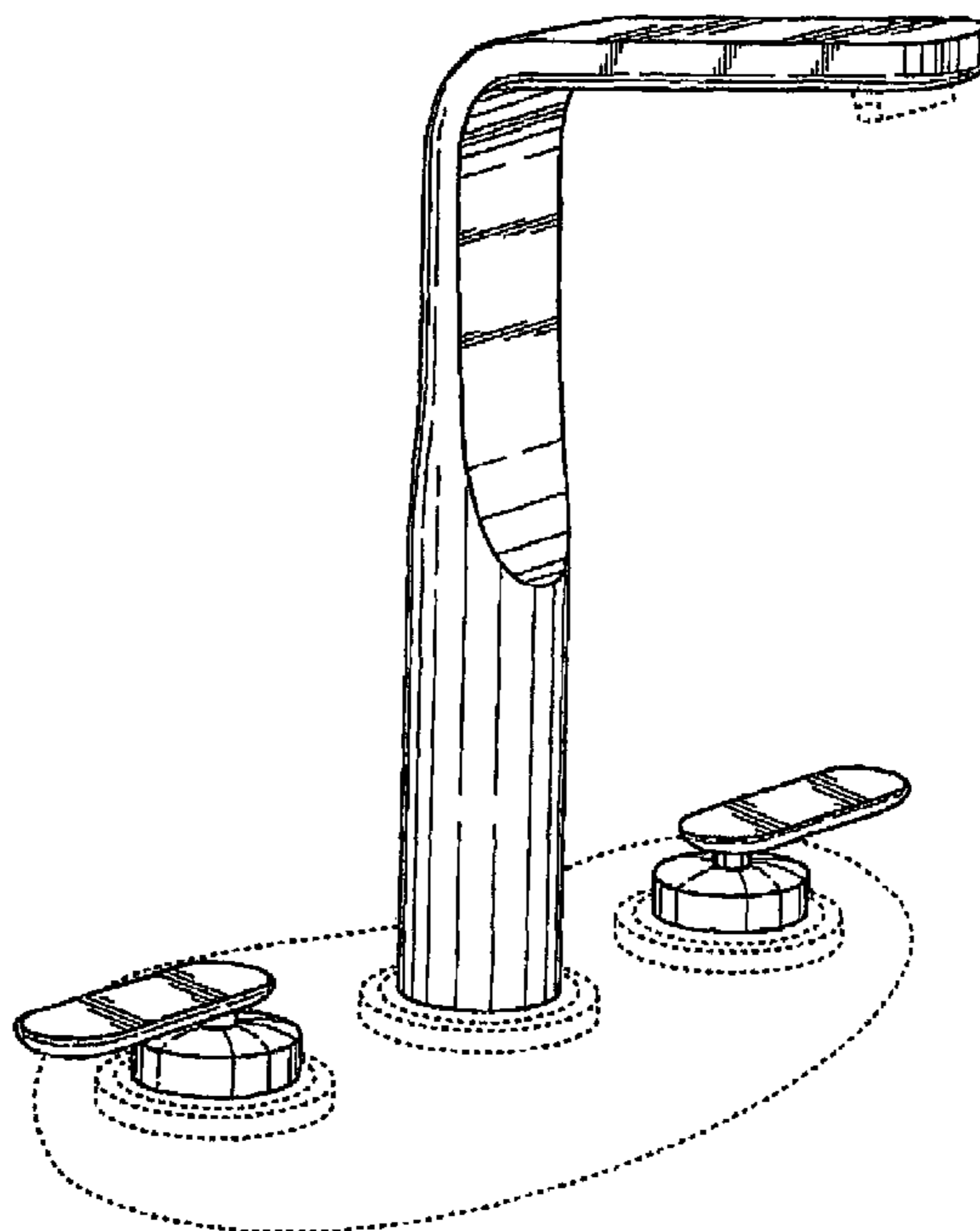
FIG. 5 is a rear elevational view of the deck-mounted faucet of FIG. 1;

FIG. 6 is a top plan view of the deck-mounted faucet of FIG. 1; and,

FIG. 7 is a bottom plan view of the deck-mounted faucet of FIG. 1.

The dashed lines illustrate environment that does not form a part of the present invention, and no claim is made to the material illustrated with dashed lines.

1 Claim, 7 Drawing Sheets



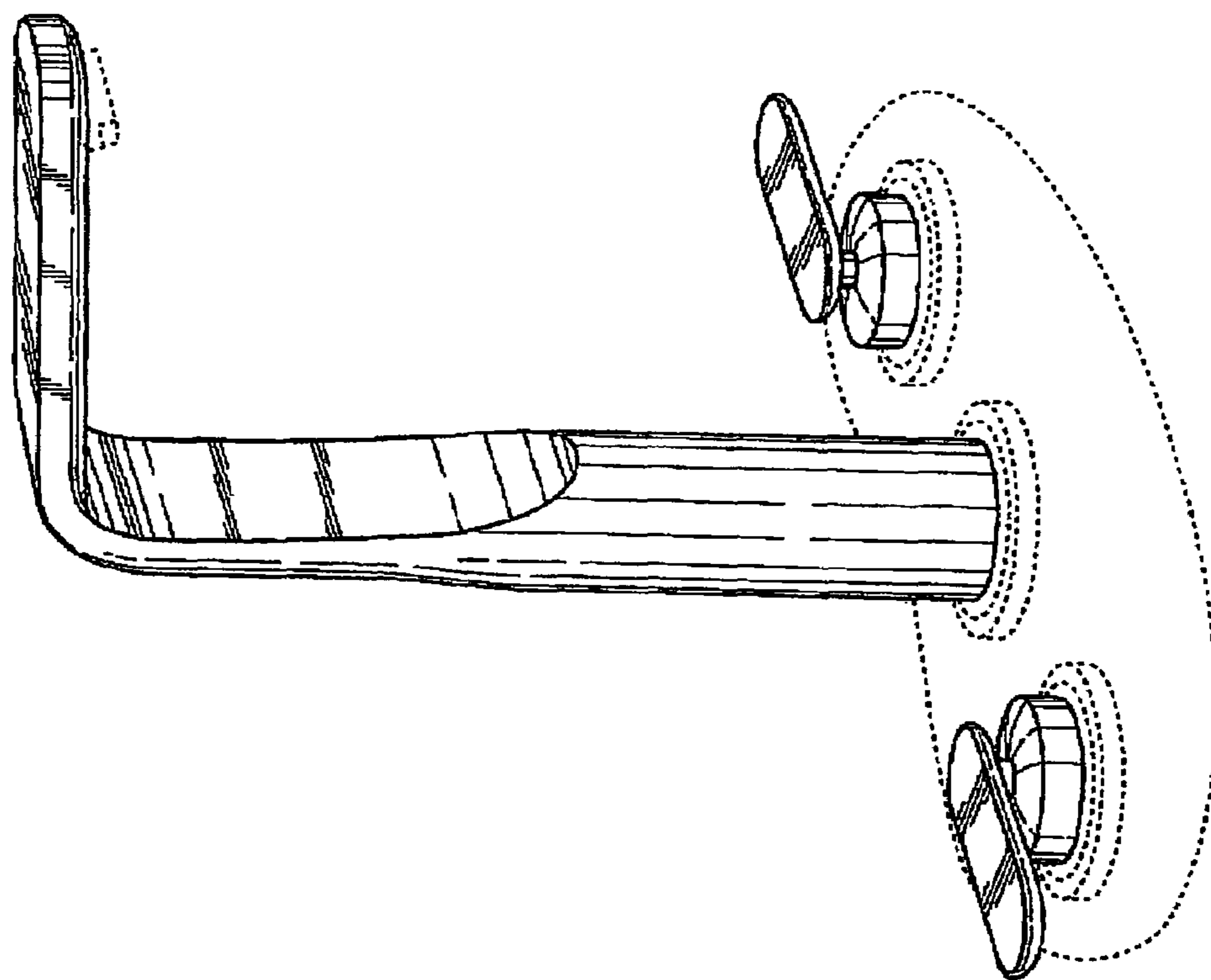


FIG. 1

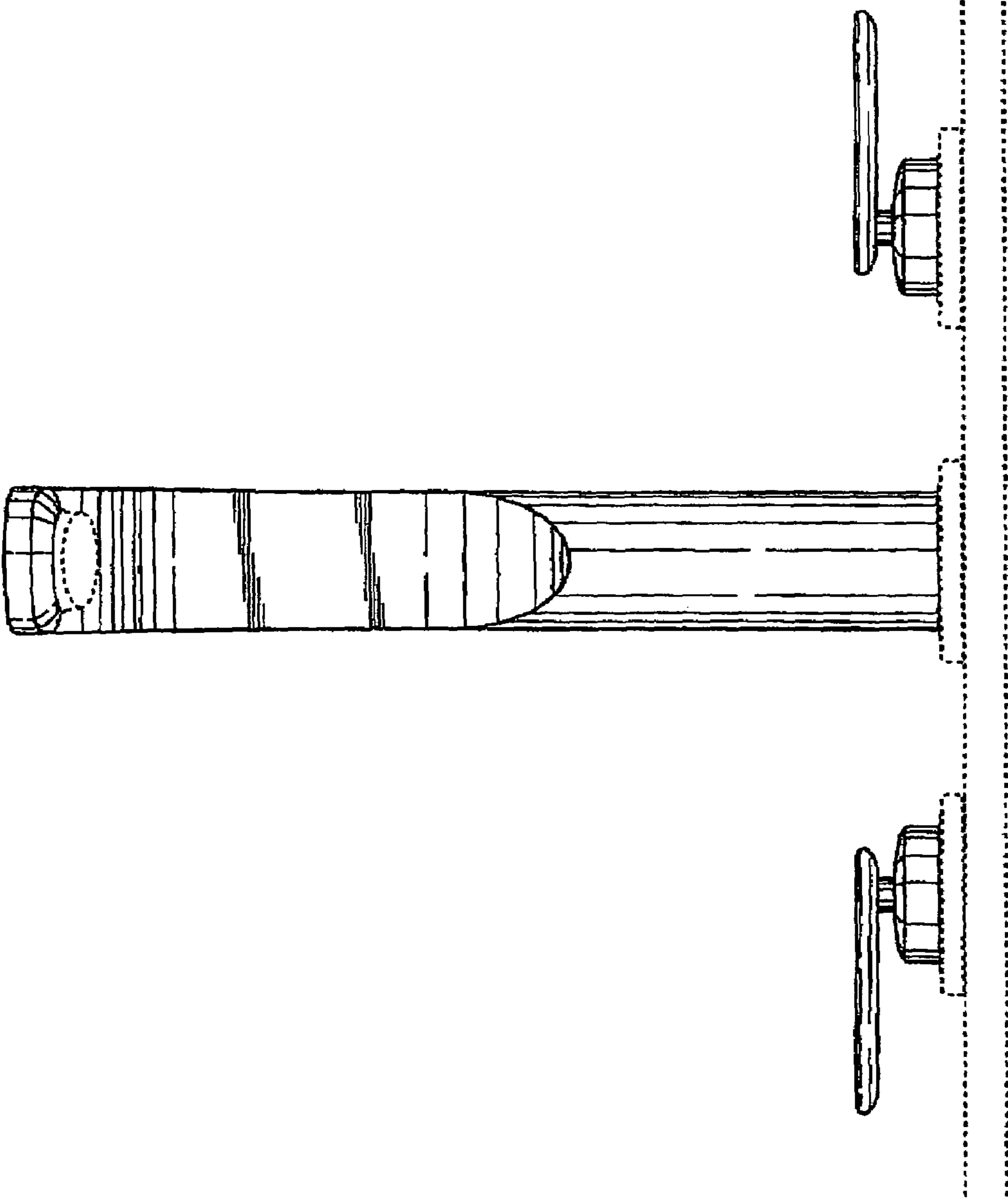


FIG. 2

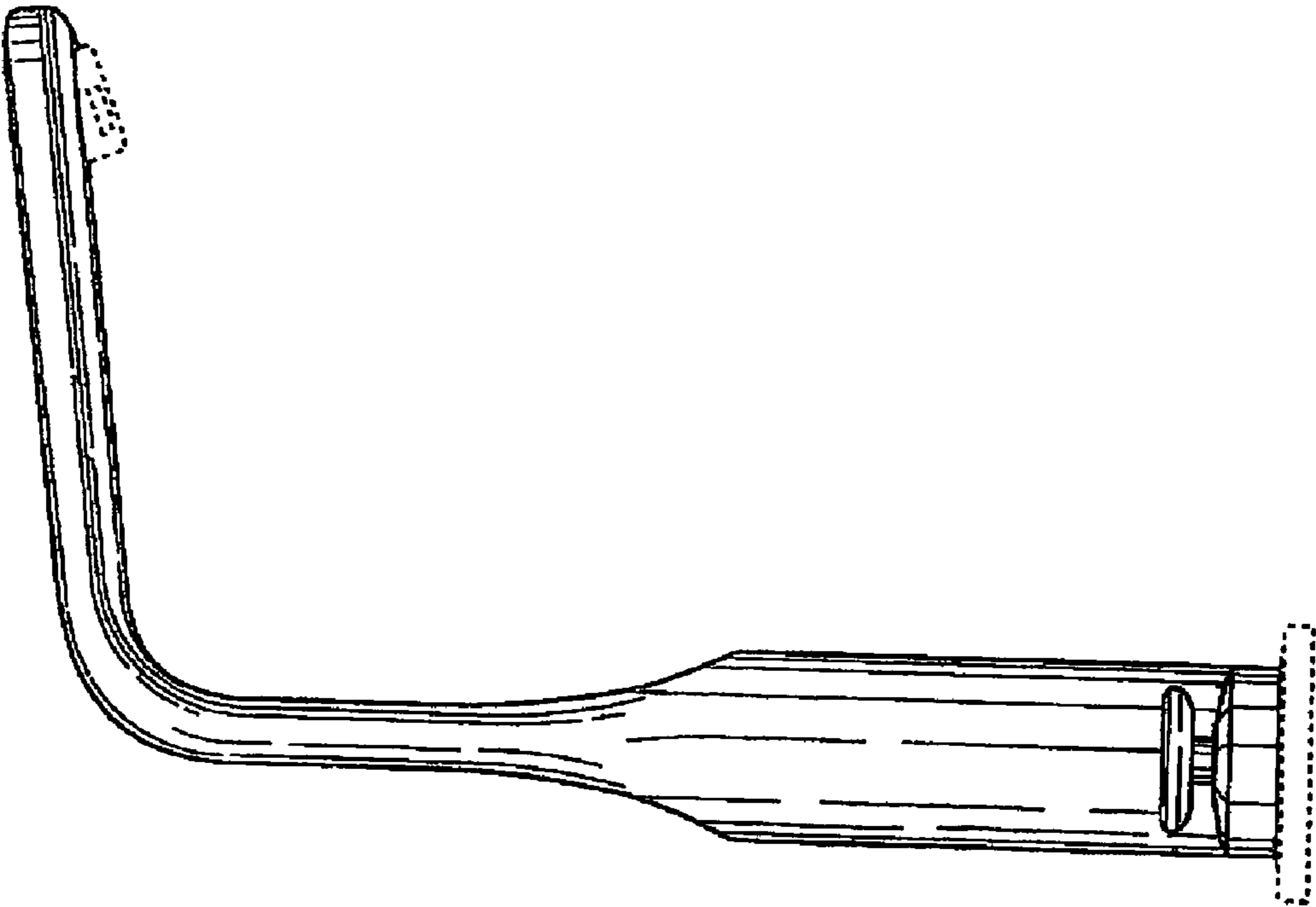


FIG. 3

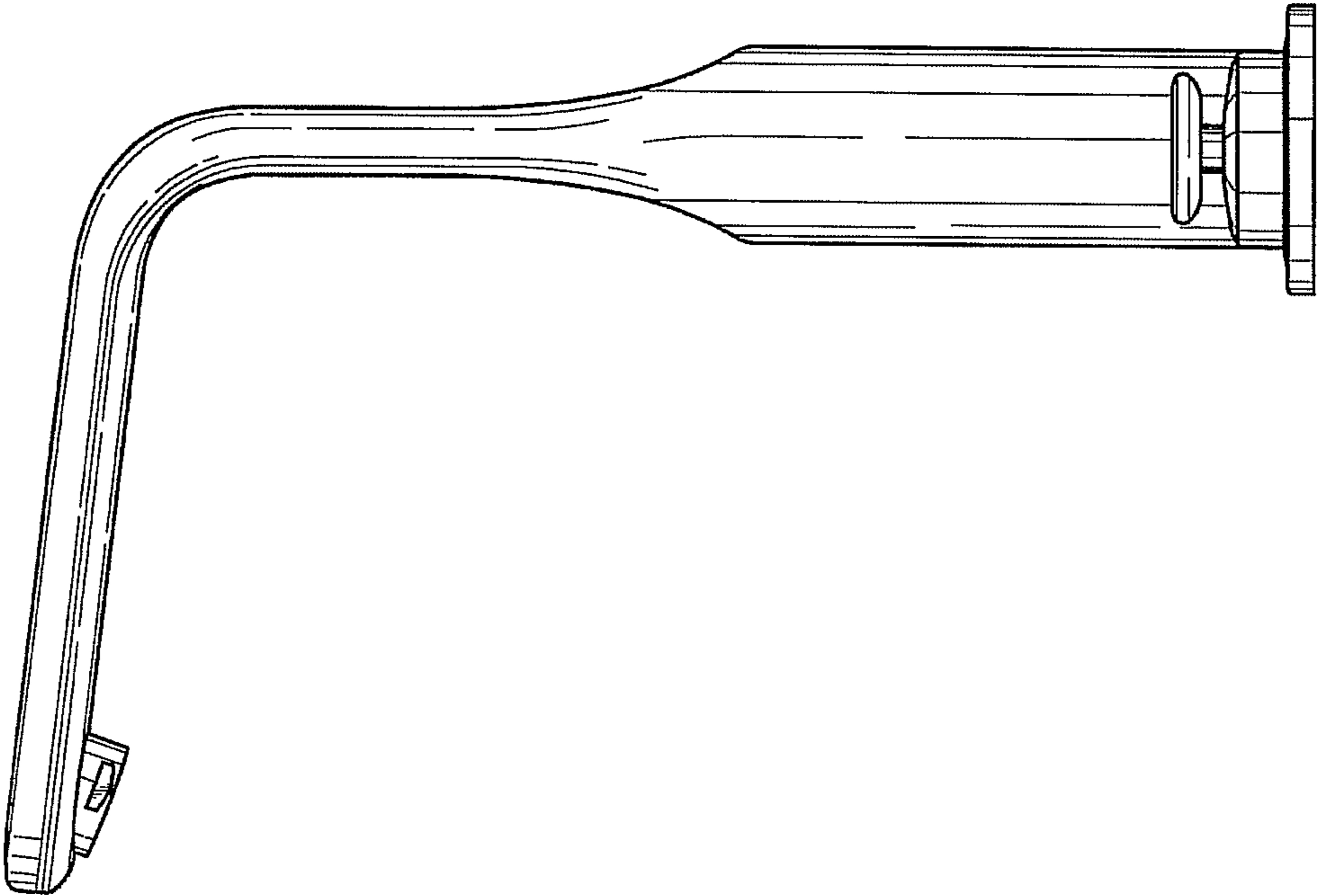


FIG. 4

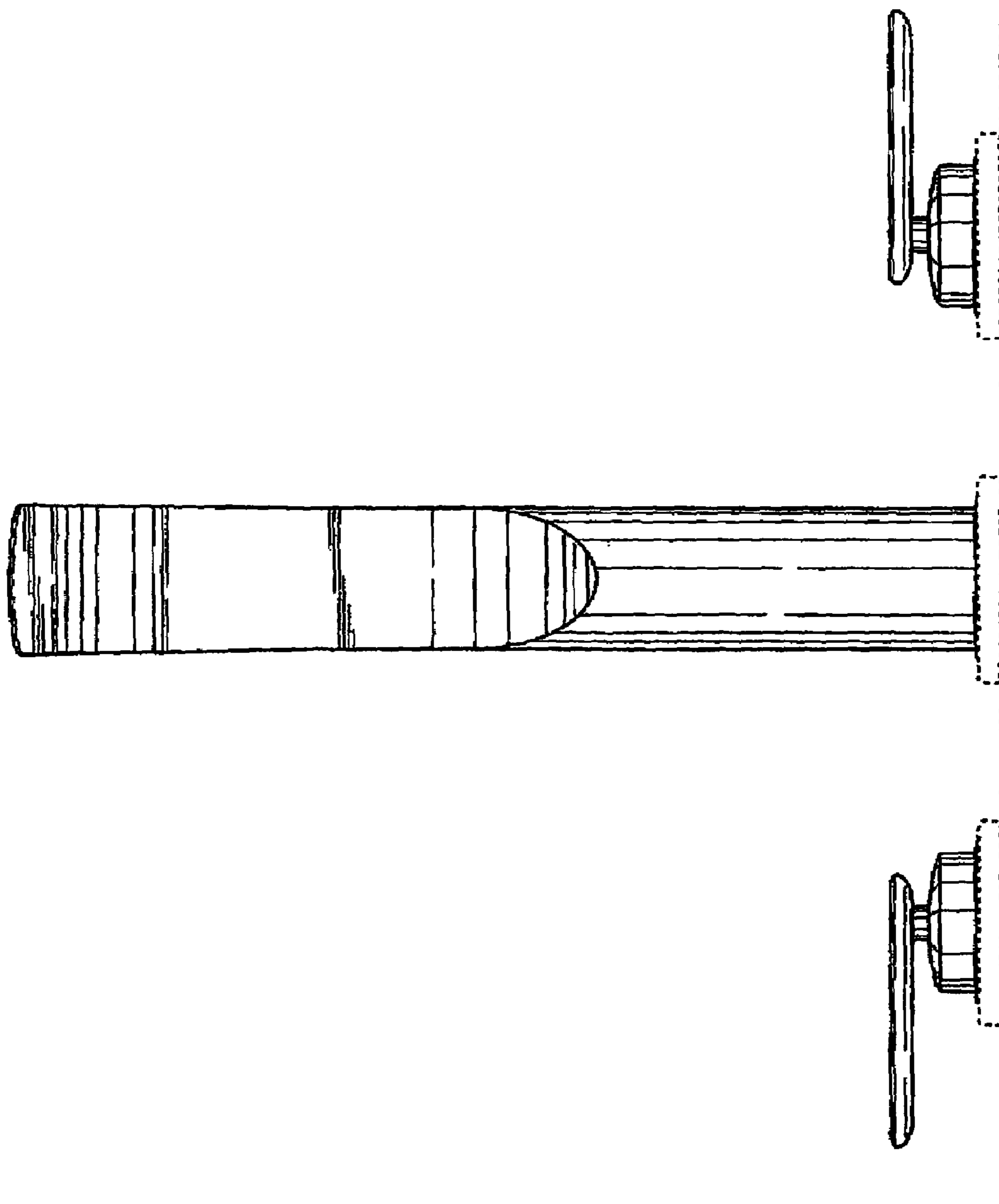


FIG. 5

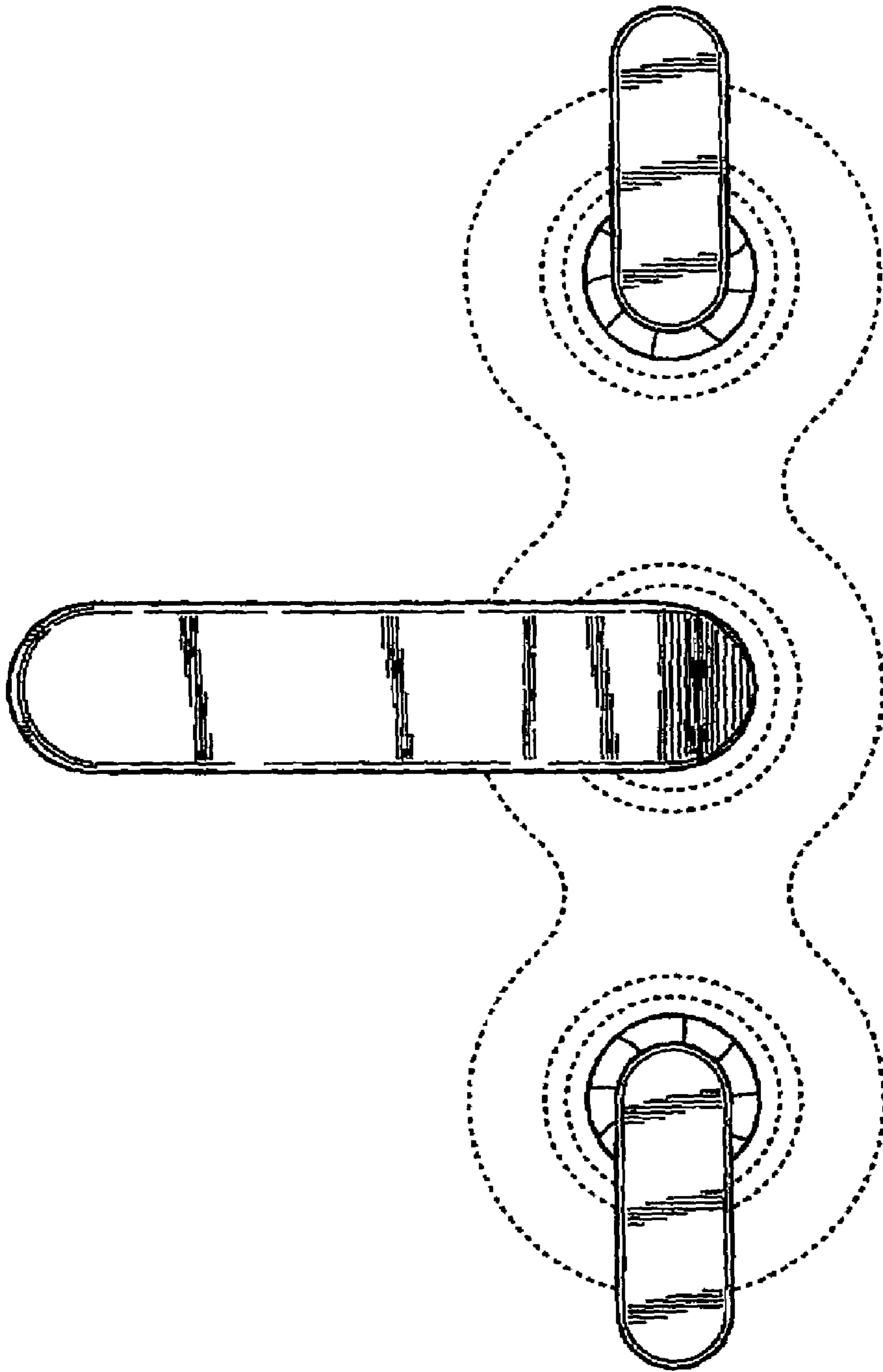


FIG. 6

FIG. 7

