



US00D603018S

(12) **United States Design Patent**  
**Stein**

(10) **Patent No.:** **US D603,018 S**

(45) **Date of Patent:** **\*\* Oct. 27, 2009**

(54) **FLOW REGULATOR**

(75) Inventor: **Alexander Stein**, Ihringen (DE)

(73) Assignee: **Neoperl GmbH**, Mullheim (DE)

(\*\*) Term: **14 Years**

(21) Appl. No.: **29/332,750**

(22) Filed: **Feb. 25, 2009**

(51) **LOC (9) Cl.** ..... **23-01**

(52) **U.S. Cl.** ..... **D23/235; D23/249**

(58) **Field of Classification Search** ..... D23/213,  
D23/235-237, 244-249, 257.26; 138/37,  
138/40-42; 239/428.5, 552, 553, 553.5,  
239/3; 261/DIG. 22

See application file for complete search history.

(56) **References Cited**

**U.S. PATENT DOCUMENTS**

5,467,929	A *	11/1995	Bosio	.....	239/428.5
D524,911	S *	7/2006	Thompson et al.	.....	D23/233
D531,697	S *	11/2006	Hofmann	.....	D23/237
D536,068	S *	1/2007	Grether	.....	D23/249
D537,148	S *	2/2007	Grether	.....	D23/249
D570,961	S *	6/2008	Grether	.....	D23/249
D581,487	S *	11/2008	Wildfang	.....	D23/249

\* cited by examiner

*Primary Examiner*—Cathron C. Brooks

*Assistant Examiner*—Maurice Stevens

(74) *Attorney, Agent, or Firm*—Volpe and Koenig, P.C.

(57) **CLAIM**

The ornamental design for flow regulator, as shown and described.

**DESCRIPTION**

FIG. 1 is a top-front perspective view of a flow regulator according to my design;

FIG. 2 is a bottom-front perspective view thereof;

FIG. 3 is a top plan view thereof;

FIG. 4 is a side elevational view thereof;

FIG. 5 is a bottom view thereof;

FIG. 6 is an additional top-front perspective view thereof, showing an alternate broken line disclosure;

FIG. 7 is a bottom-front perspective view thereof;

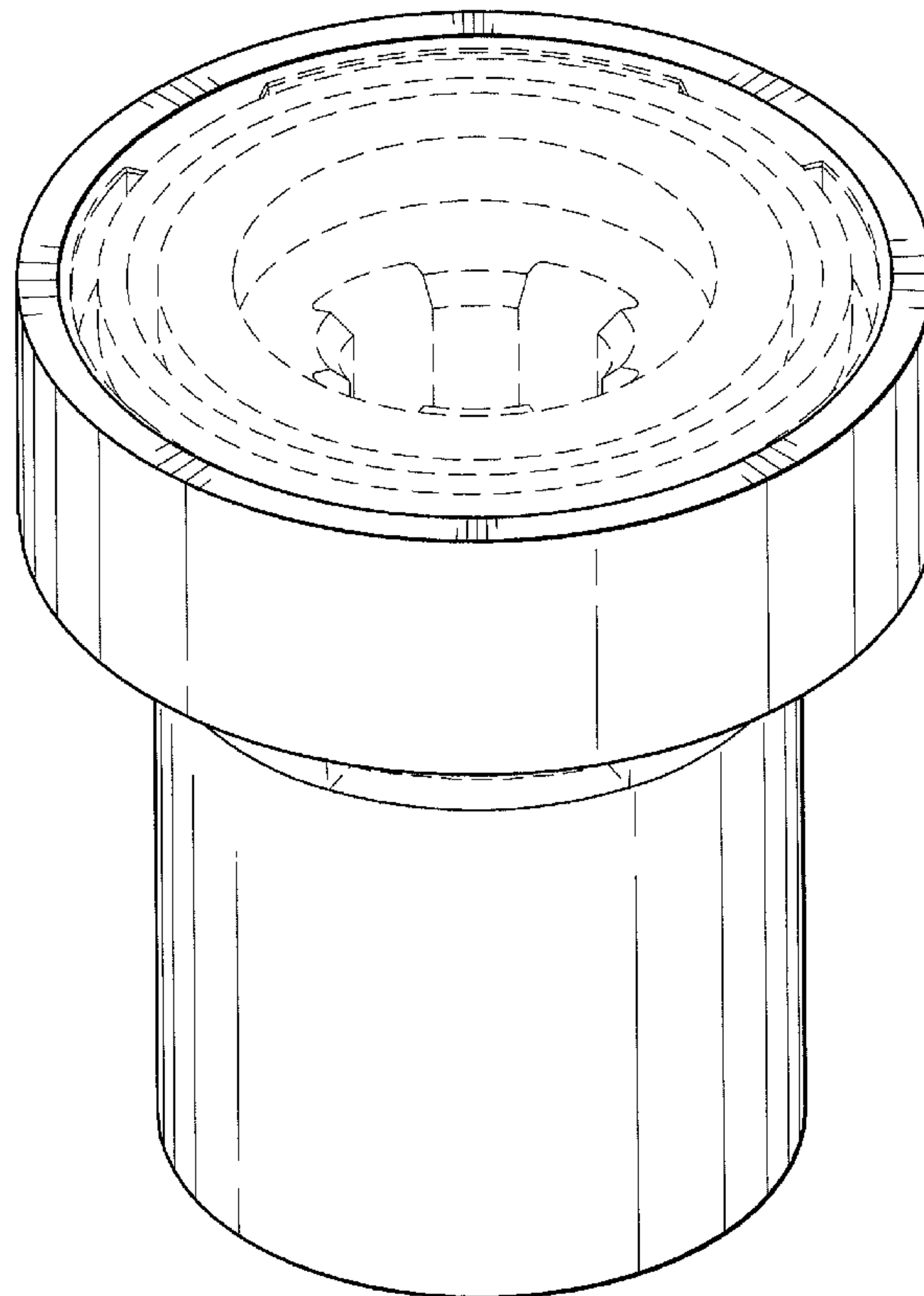
FIG. 8 is a top plan view thereof;

FIG. 9 is a side elevational view thereof; and,

FIG. 10 is a bottom plan view thereof.

The broken lines shown in the drawings represent unclaimed portions of the design and form no part thereof.

**1 Claim, 10 Drawing Sheets**



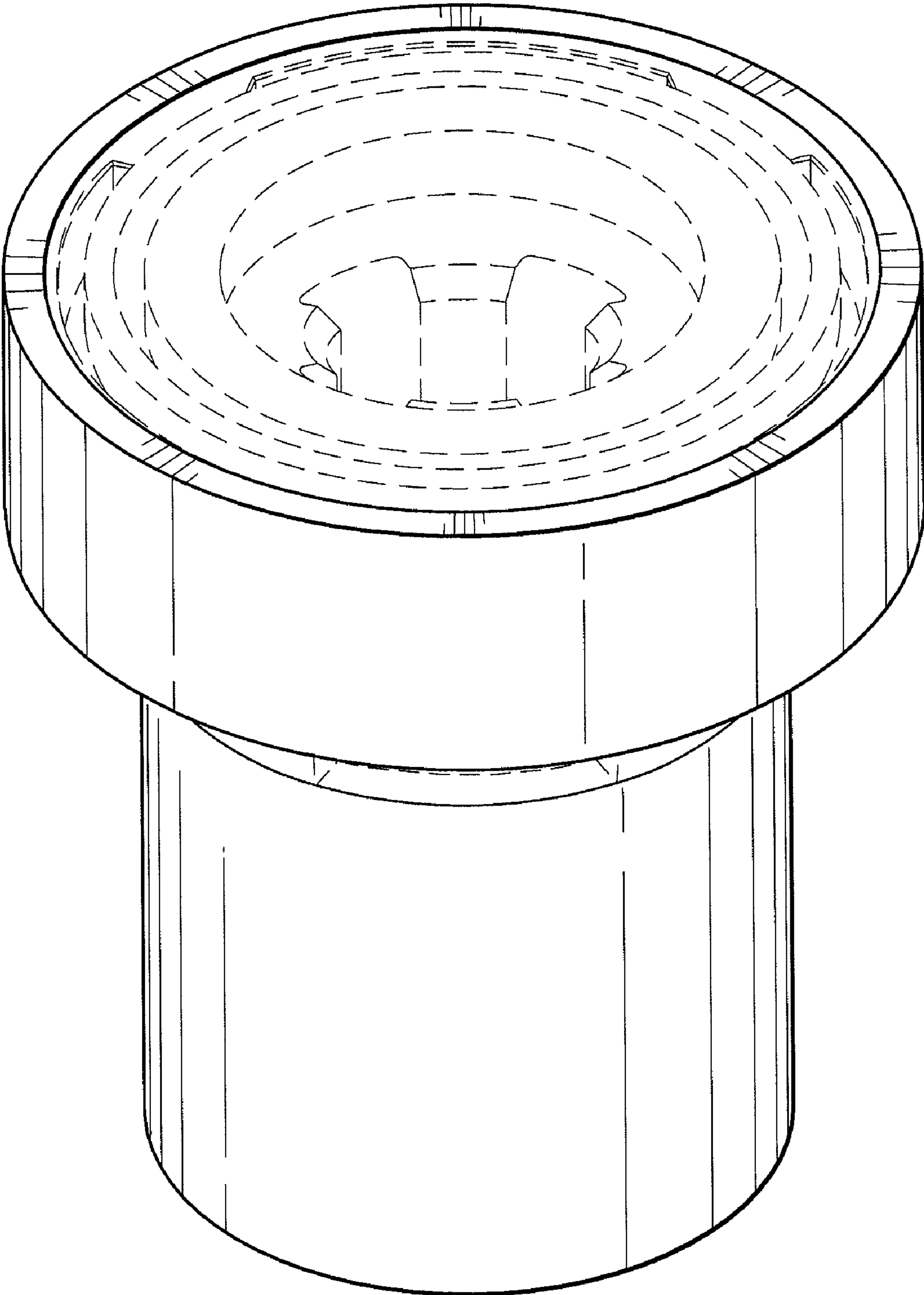


FIG. 1

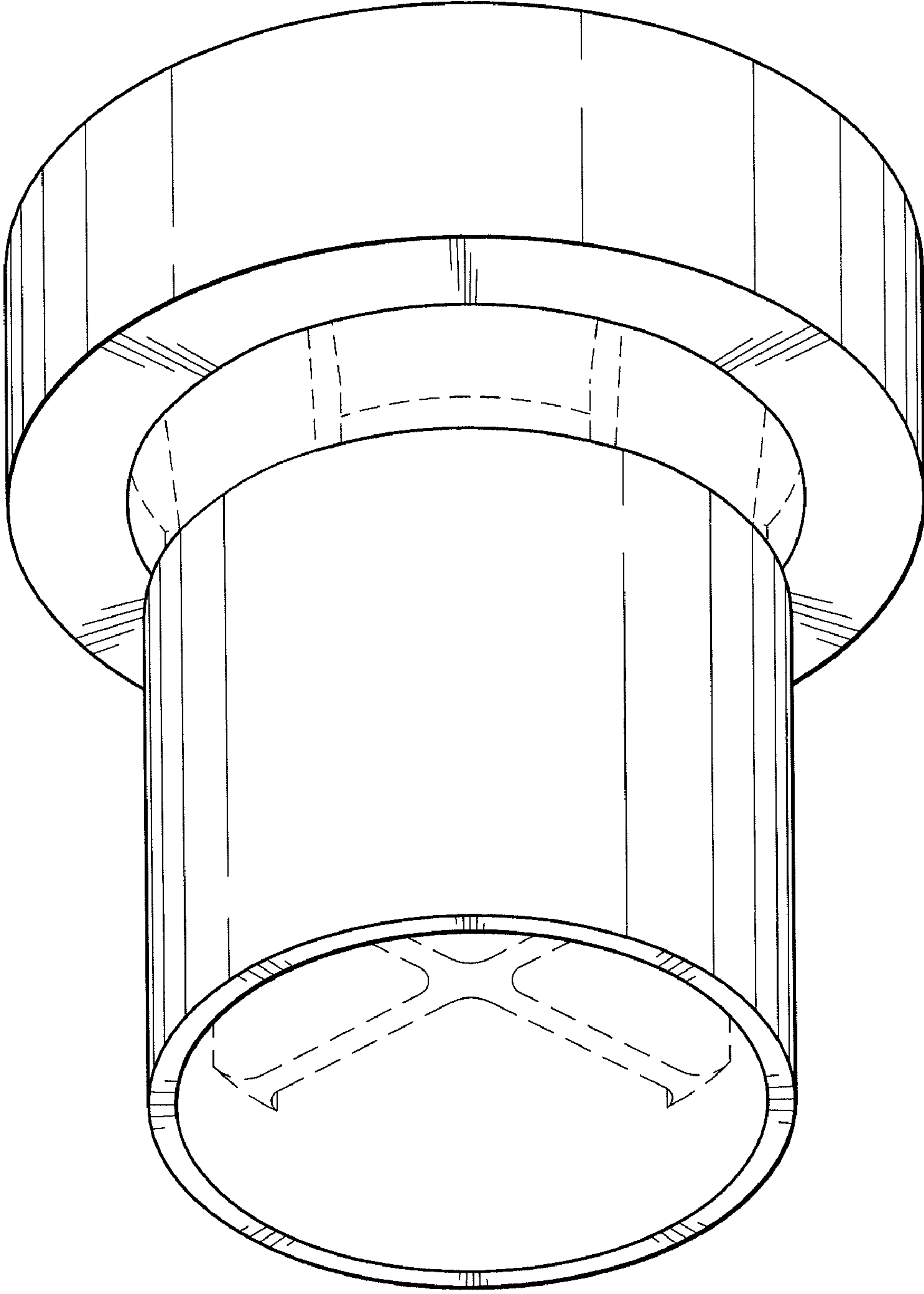
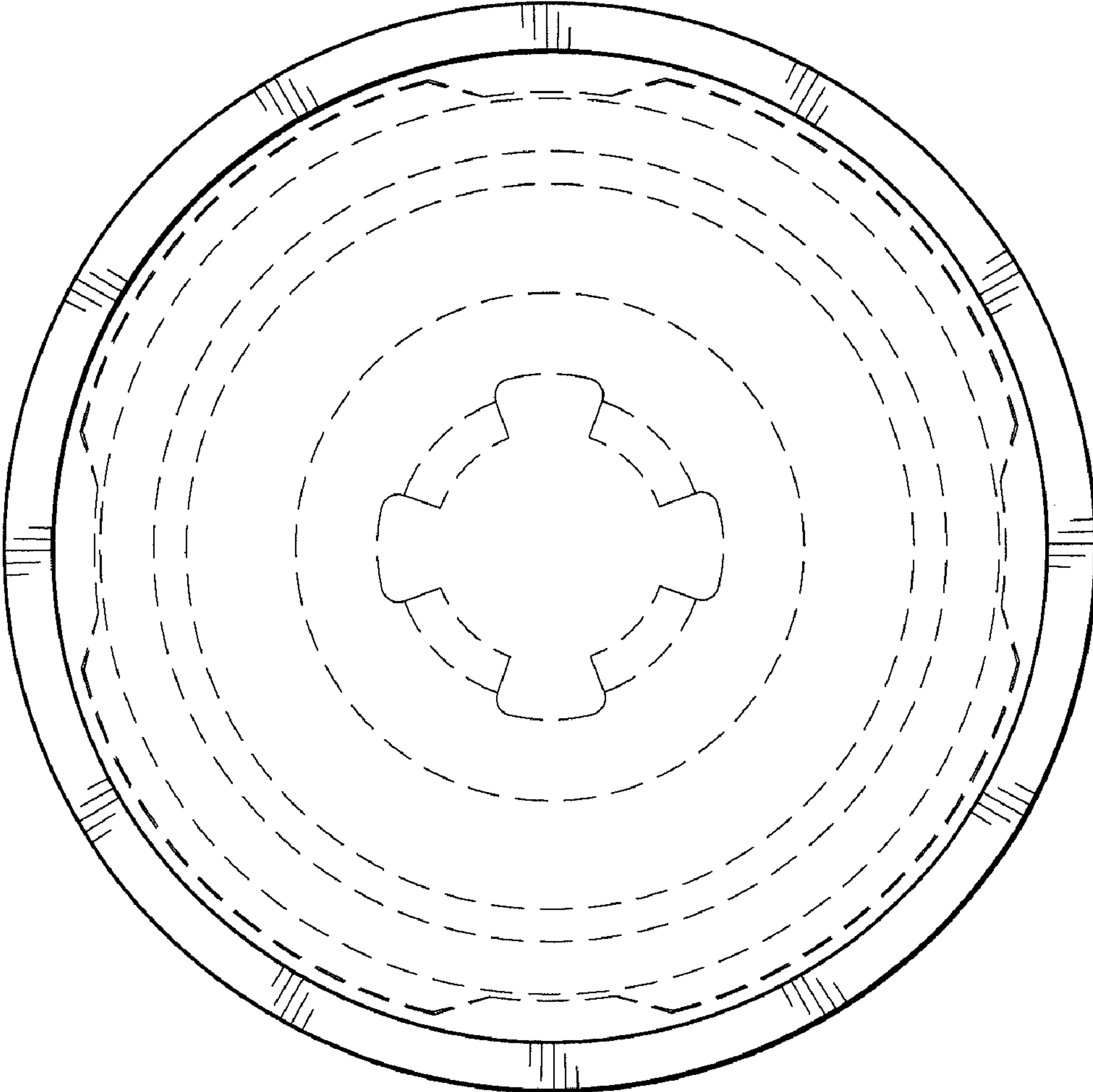
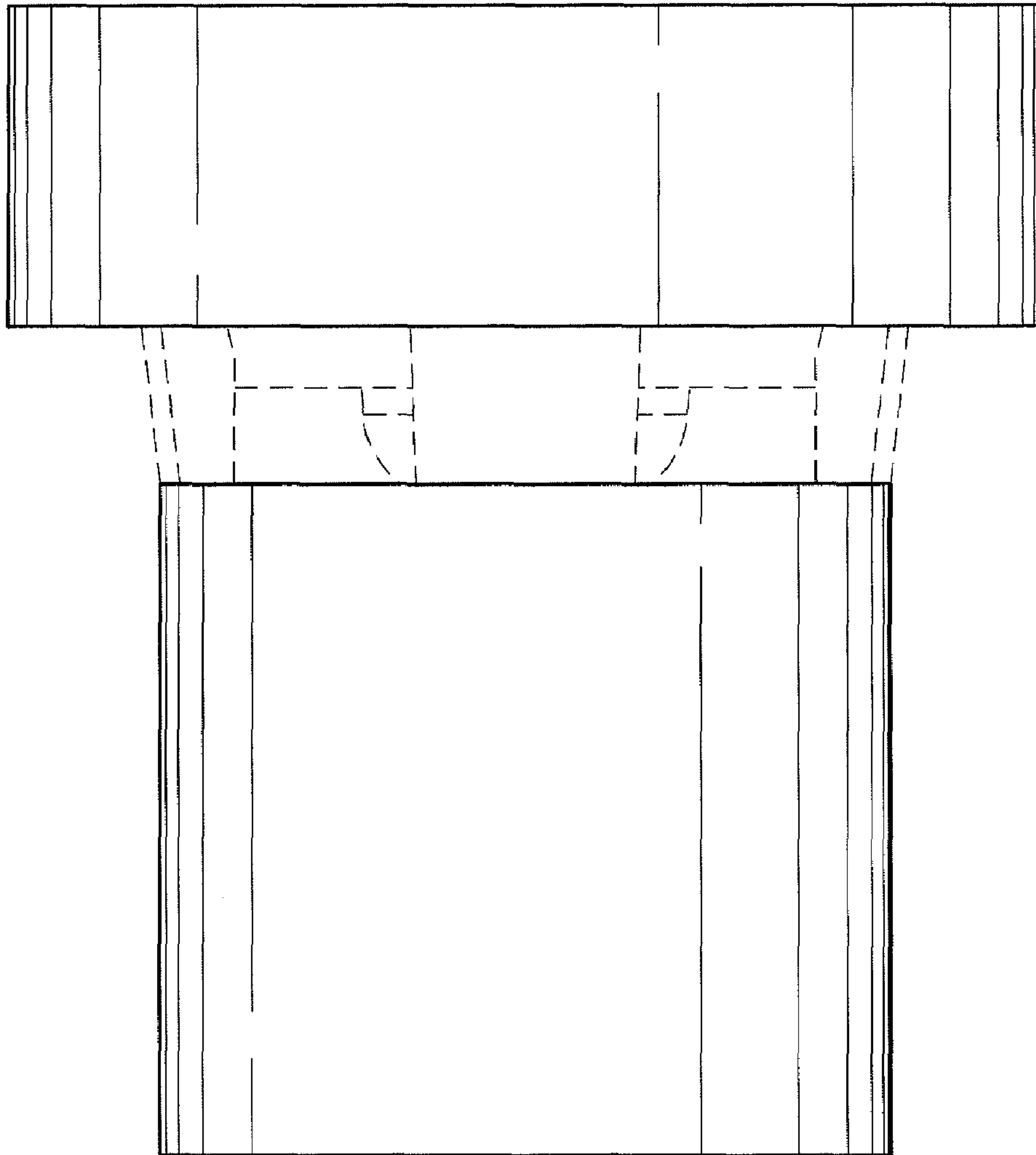


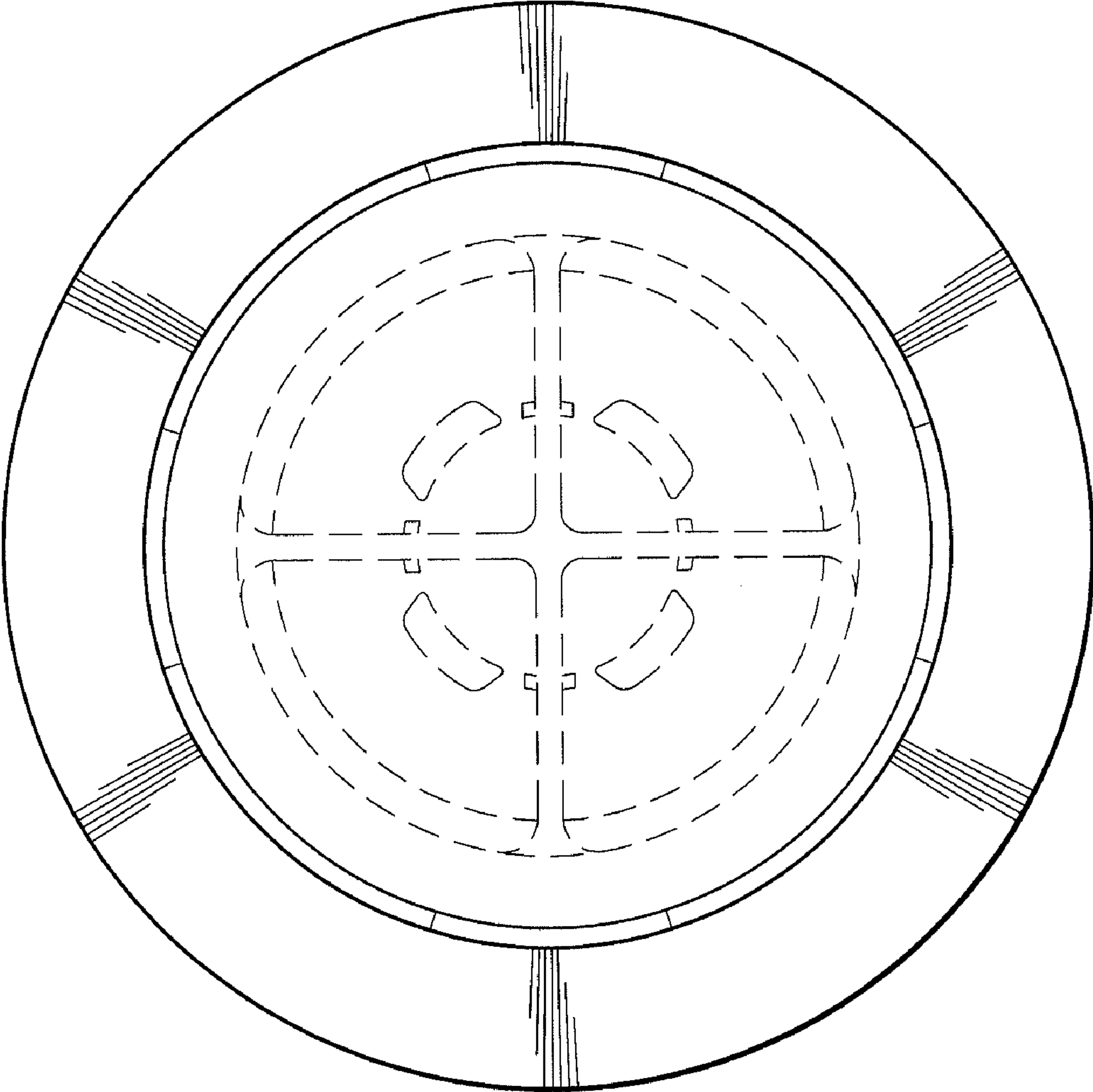
FIG. 2



**FIG. 3**



**FIG. 4**



**FIG. 5**



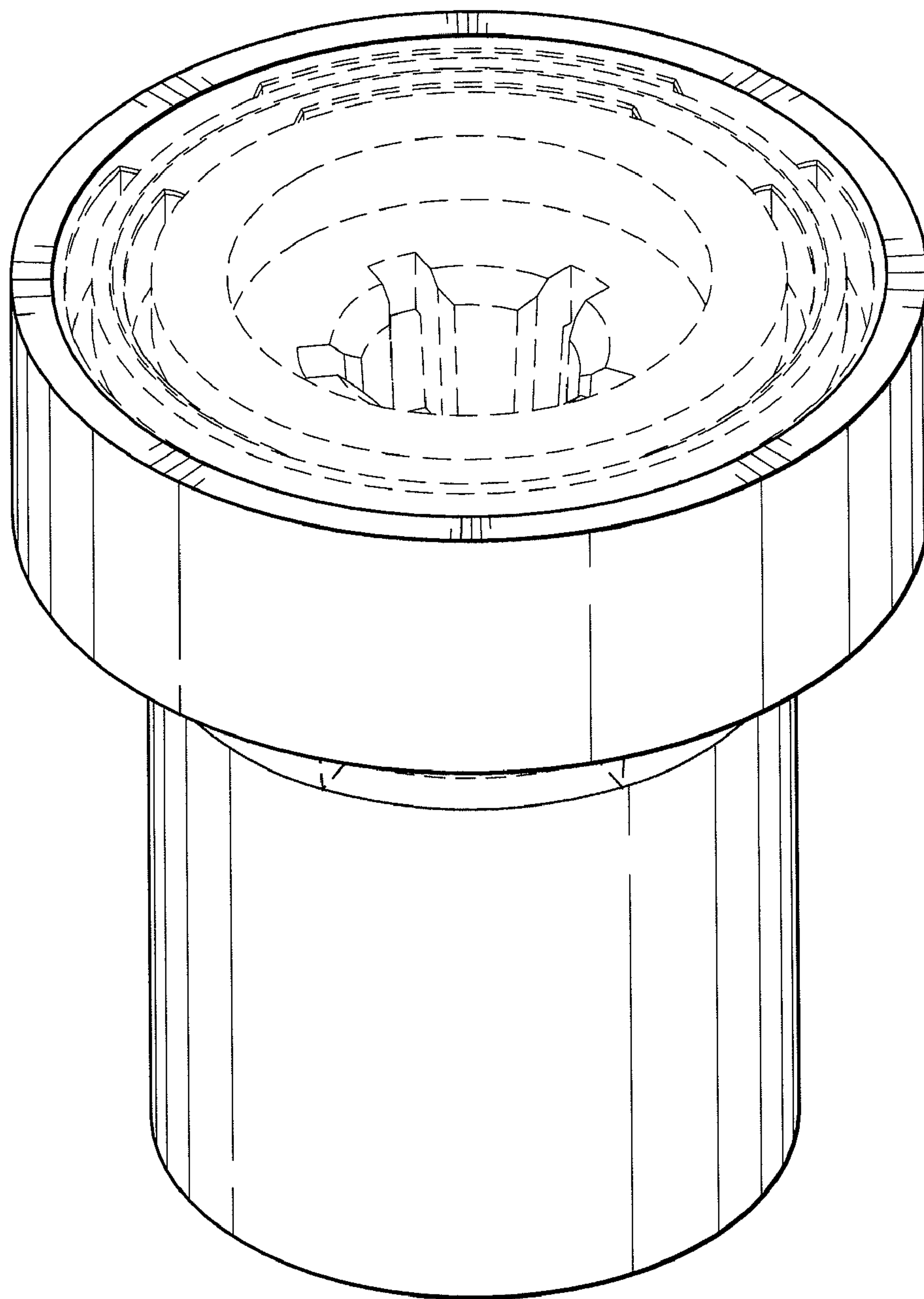
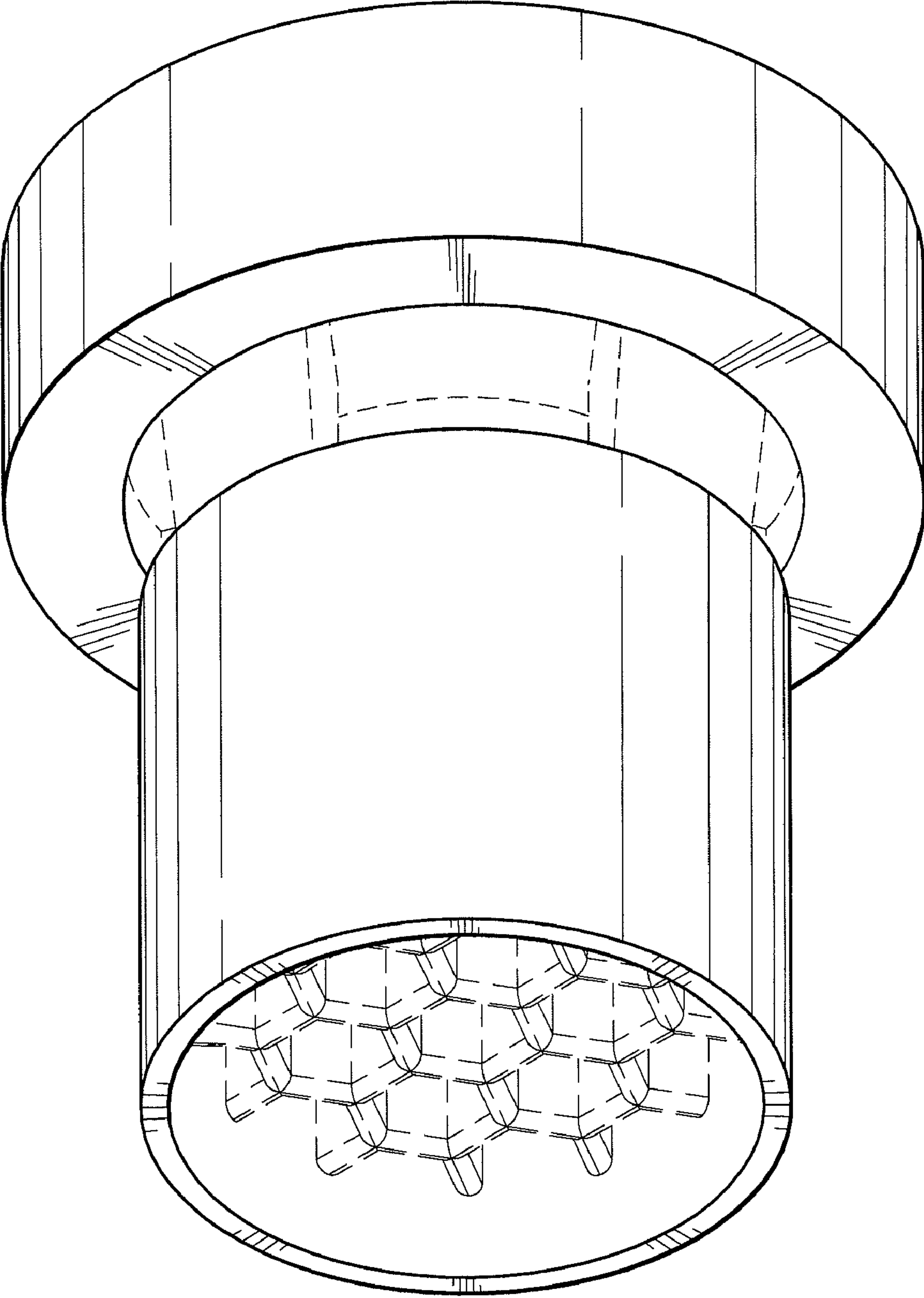


FIG. 6



**FIG. 7**



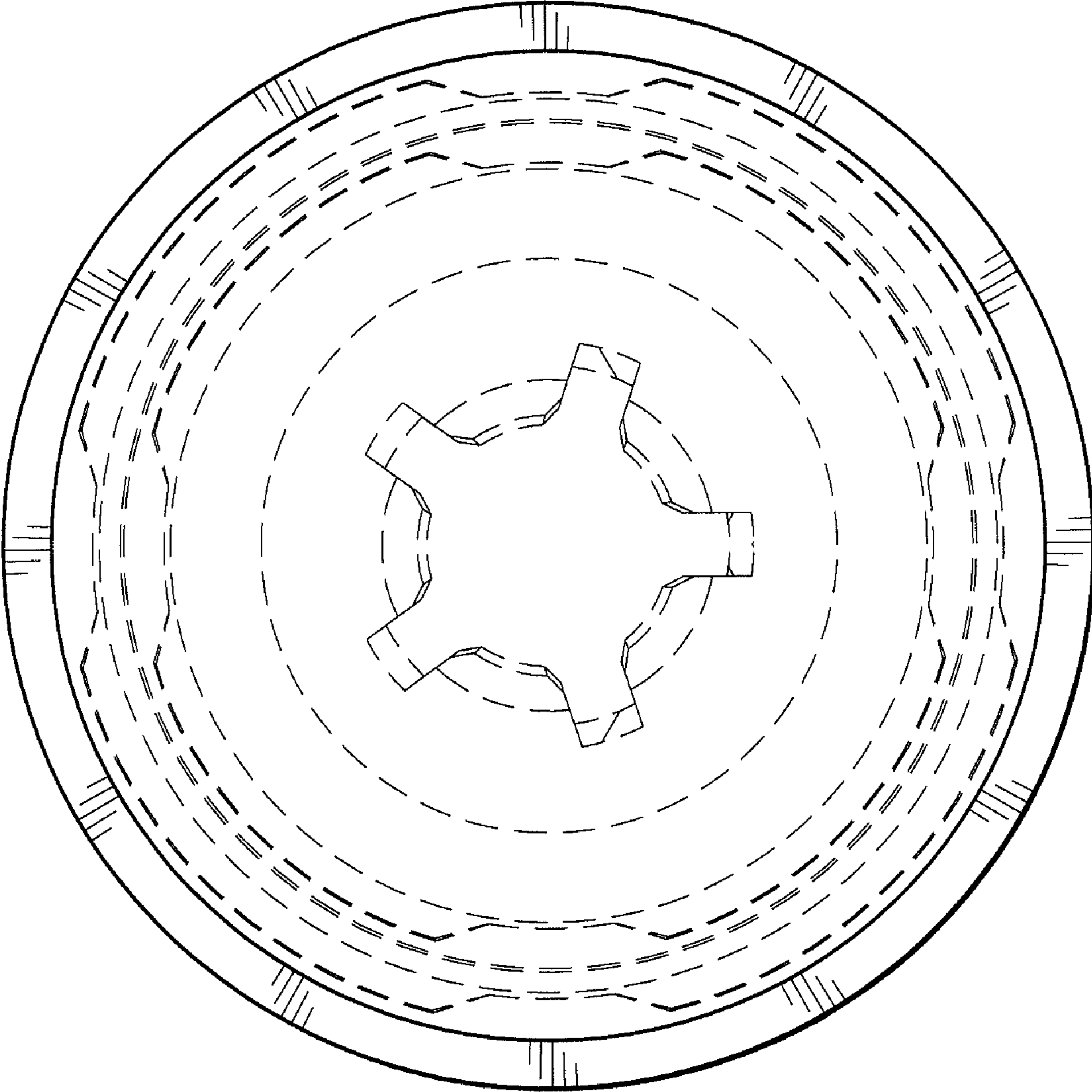
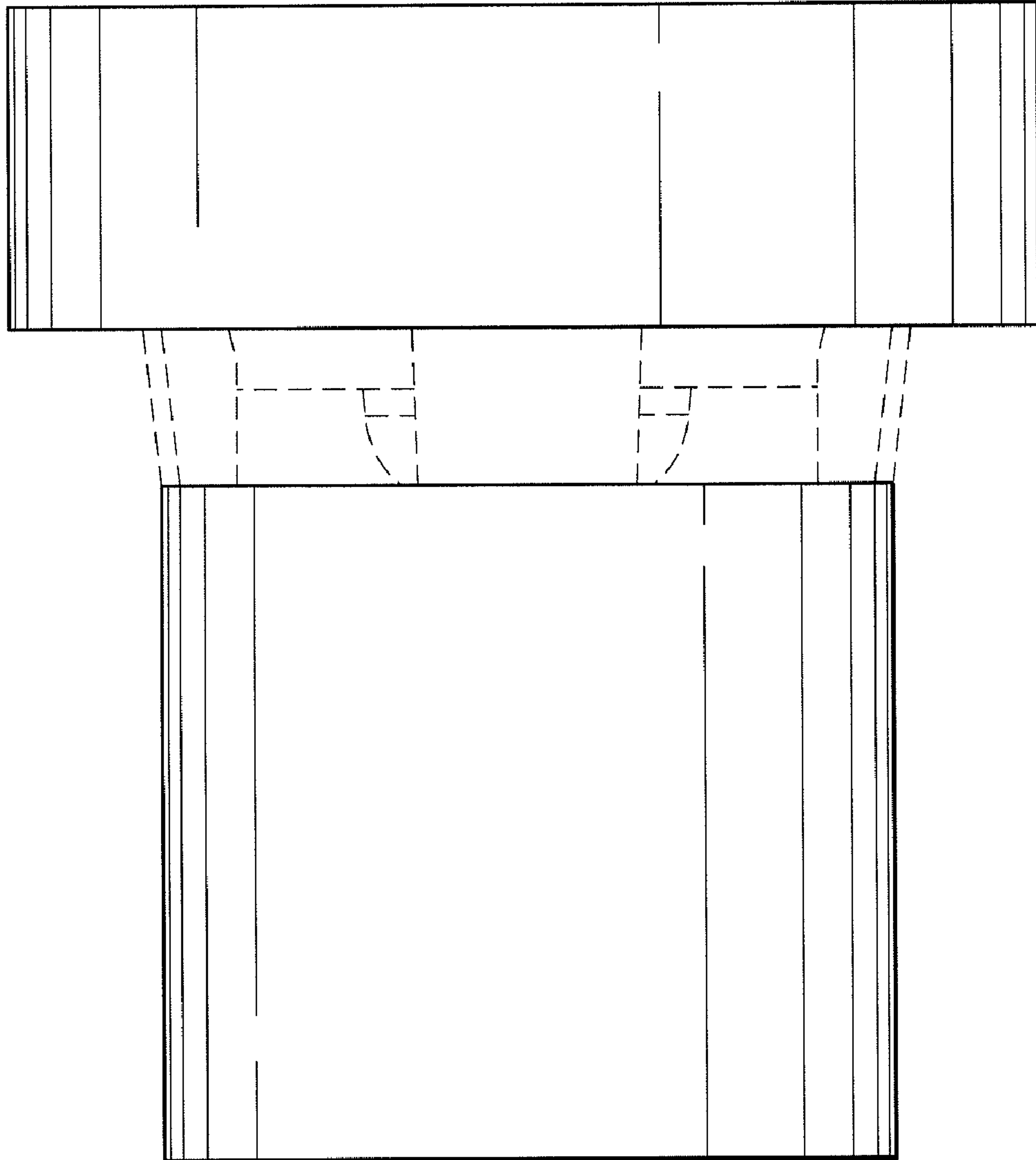
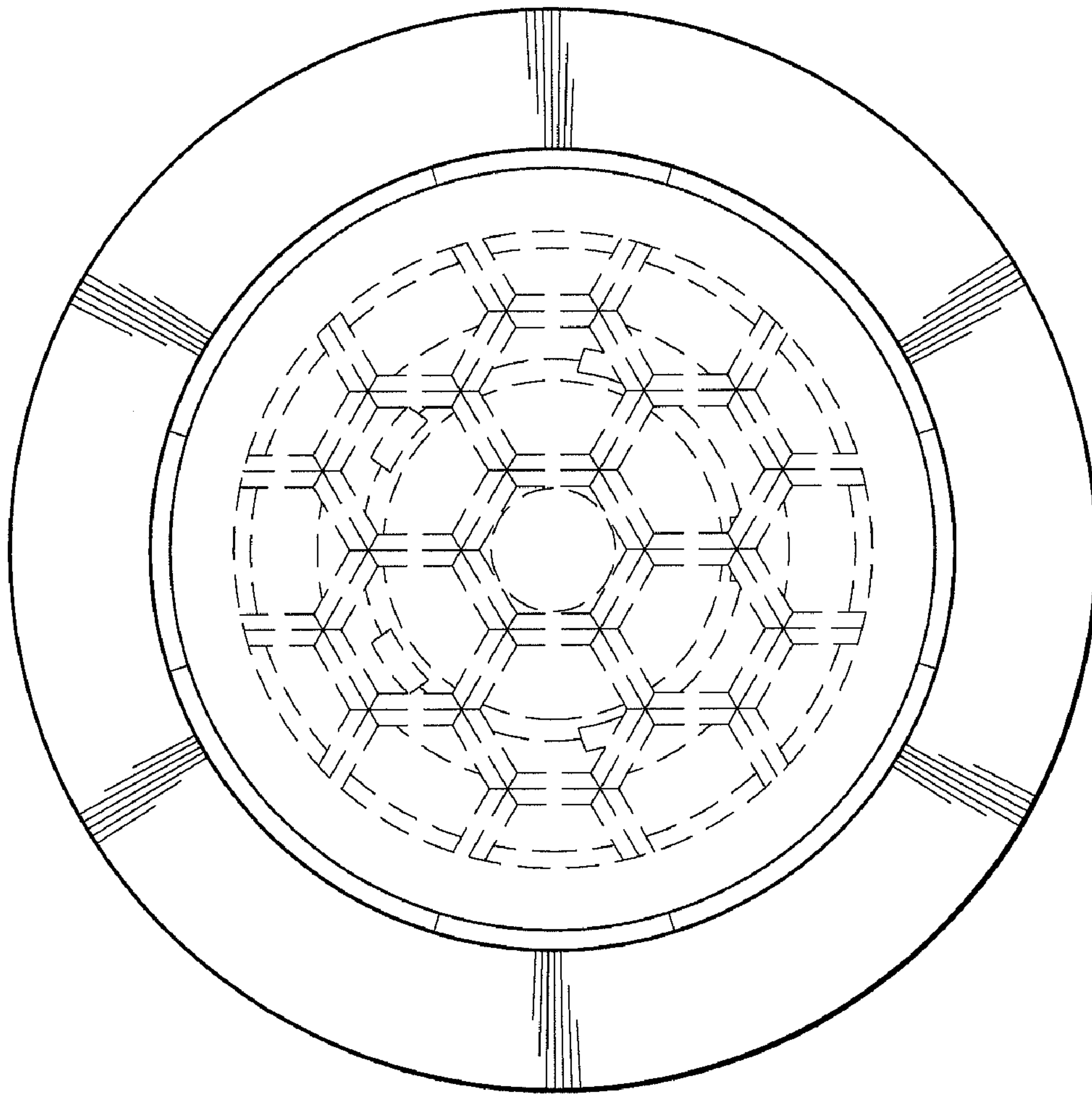


FIG. 8



**FIG. 9**



**FIG. 10**