



US00D603016S

(12) **United States Design Patent**
Matsumura

(10) **Patent No.:** **US D603,016 S**

(45) **Date of Patent:** **** Oct. 27, 2009**

(54) **FLOW CONTROL VALVE**

(75) Inventor: **Kenichi Matsumura**, Tsukubamirai (JP)

(73) Assignee: **SMC Corporation**, Chiyoda-ku, Tokyo (JP)

(**) Term: **14 Years**

(21) Appl. No.: **29/293,761**

(22) Filed: **Dec. 11, 2007**

(30) **Foreign Application Priority Data**

Jun. 12, 2007 (JP) 2007-015571

(51) **LOC (9) Cl.** **23-01**

(52) **U.S. Cl.** **D23/233**

(58) **Field of Classification Search** D23/233-237,
D23/244-249; 251/62, 63, 63.5, 129.1, 129.16-129.18,
251/309, 368; 137/498, 545, 547, 549, 377
See application file for complete search history.

(56) **References Cited**

U.S. PATENT DOCUMENTS

D504,715 S * 5/2005 Hagihara D23/235
D511,369 S * 11/2005 Croft D23/233
D558,859 S * 1/2008 Kato et al. D23/233
D562,436 S * 2/2008 Kato et al. D23/233

* cited by examiner

Primary Examiner—Cathron C. Brooks

Assistant Examiner—Maurice Stevens

(74) *Attorney, Agent, or Firm*—Yokoi & Co., U.S.A., Inc.;
Peter Ganjian

(57) **CLAIM**

The ornamental design for a flow control valve, as shown and described.

DESCRIPTION

FIG. 1 shows a front view of a flow control valve showing my new design;

FIG. 2 shows a rear view thereof;

FIG. 3 shows a top view thereof;

FIG. 4 shows a bottom view thereof;

FIG. 5 shows a left side view thereof;

FIG. 6 shows a right side view thereof;

FIG. 7 shows a top, front and right side perspective view thereof; and,

FIG. 8 shows a bottom, rear and left side perspective view thereof.

1 Claim, 4 Drawing Sheets

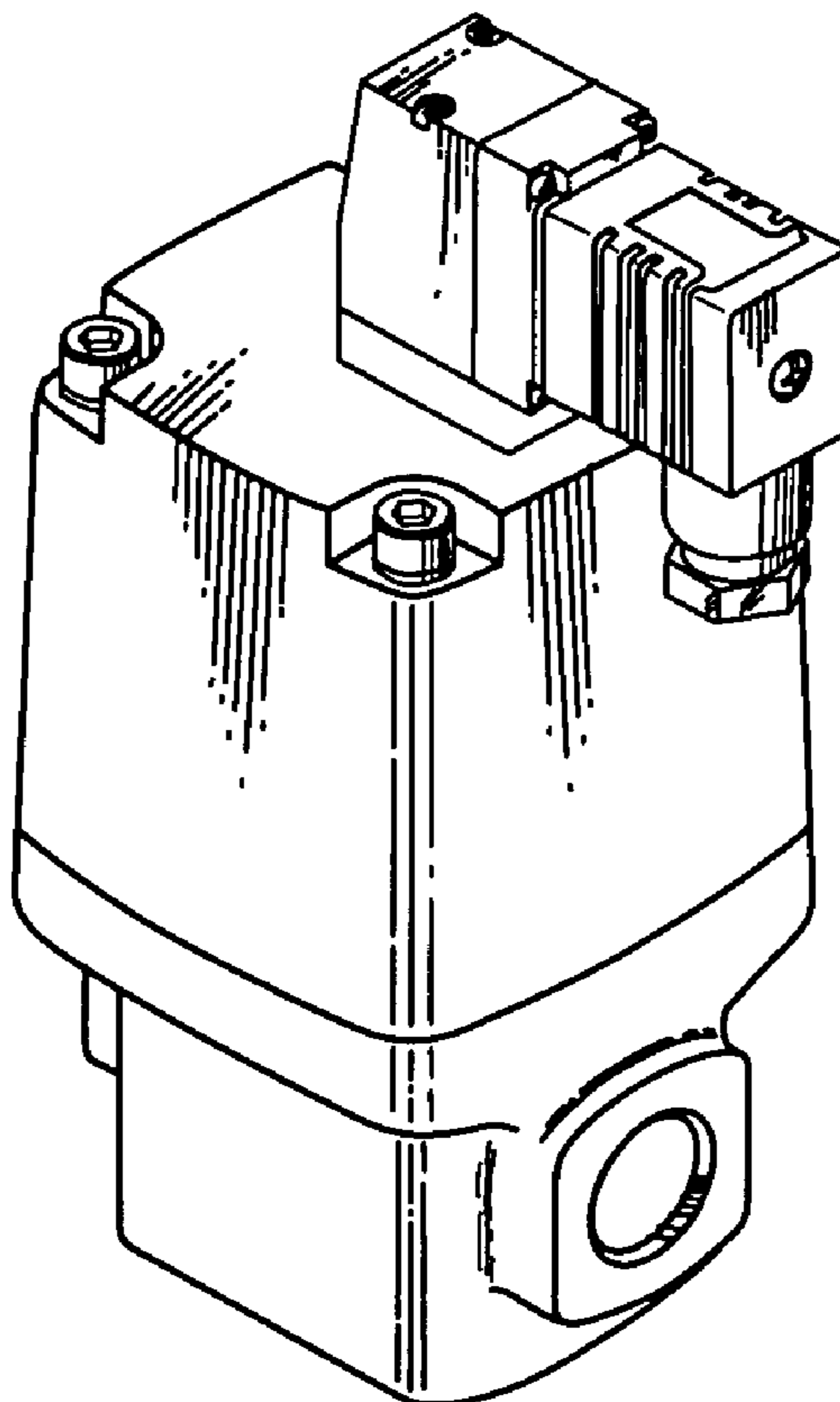


FIG. 1

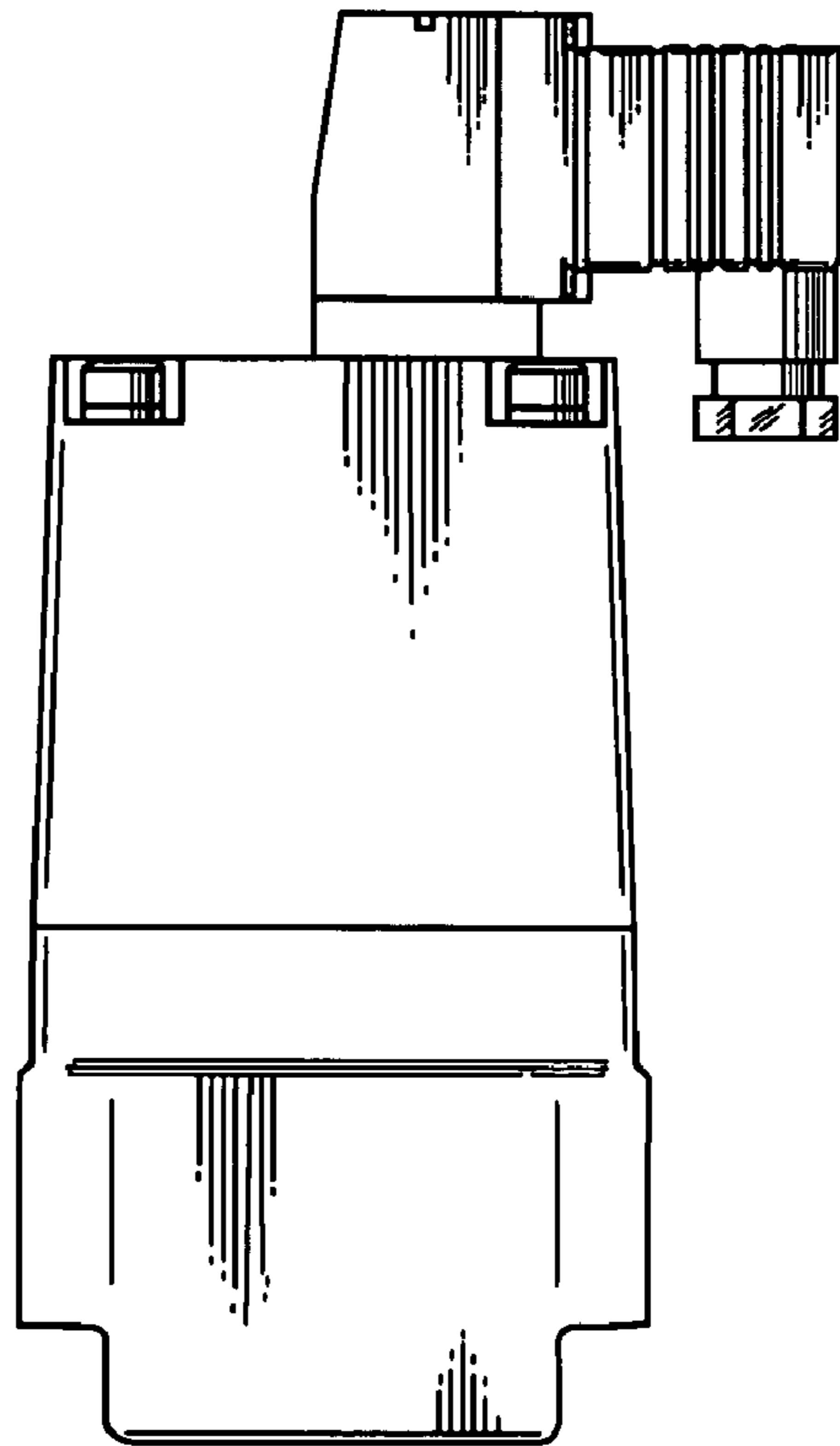


FIG. 2

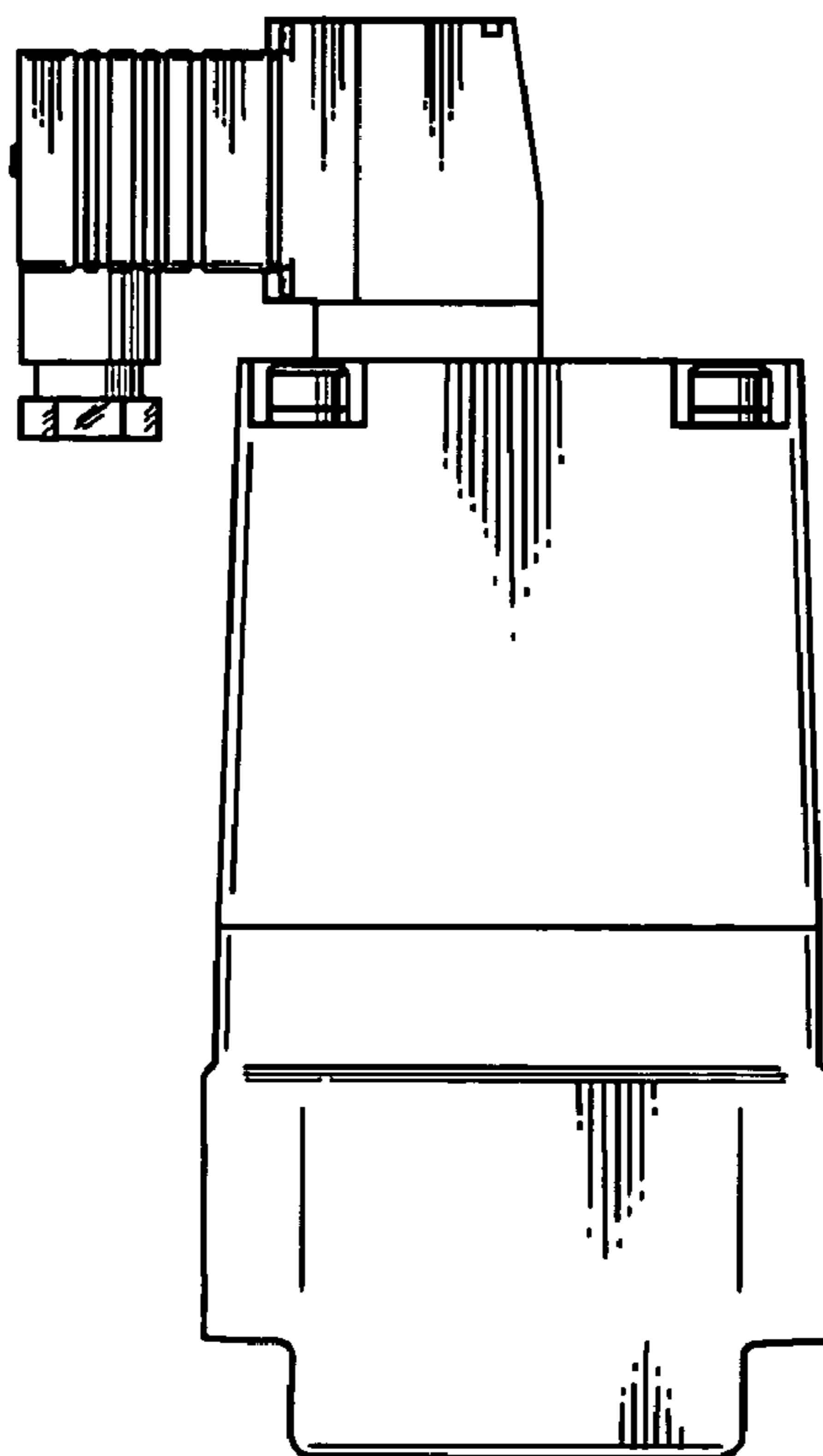


FIG. 3

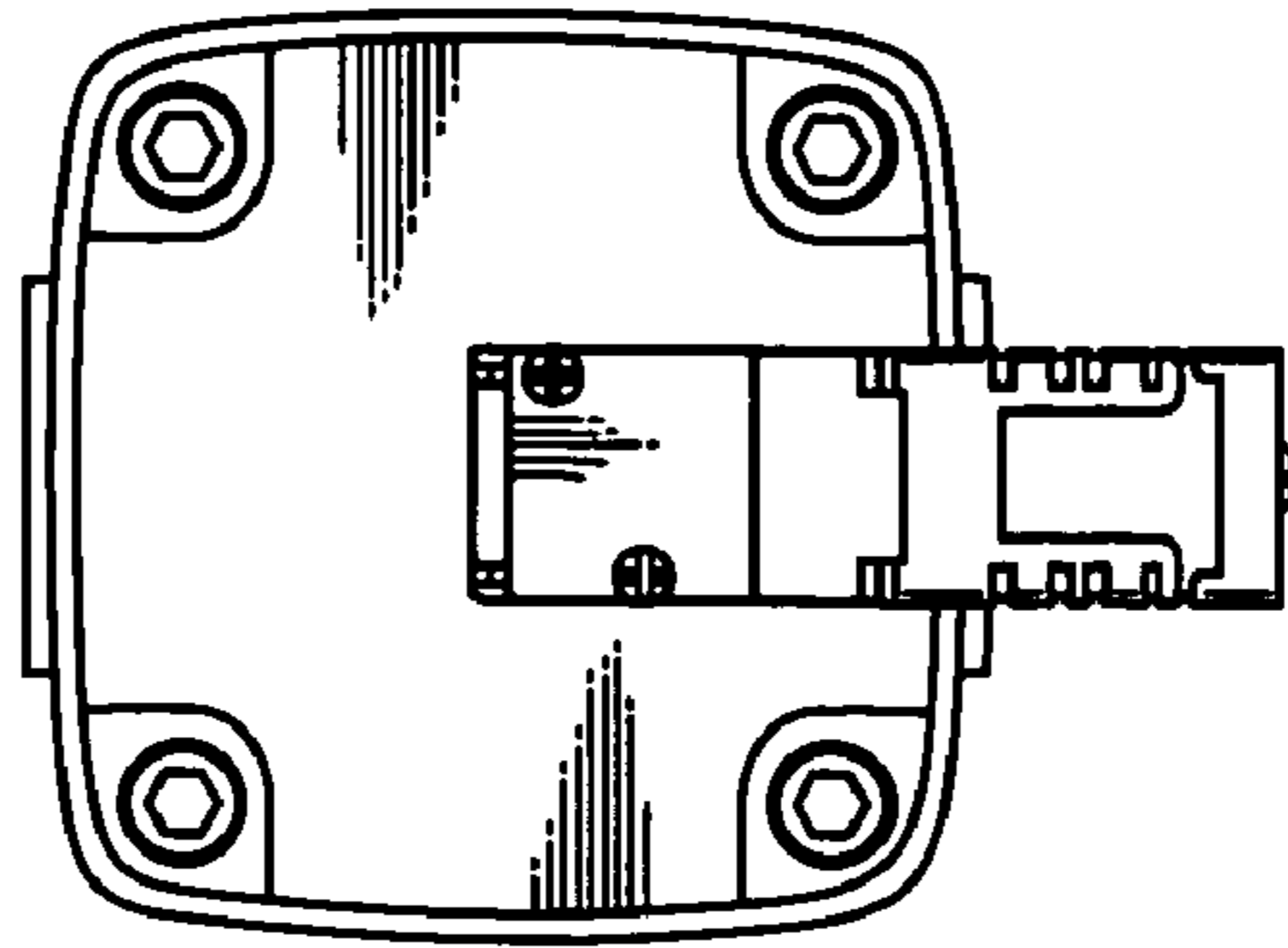


FIG. 4

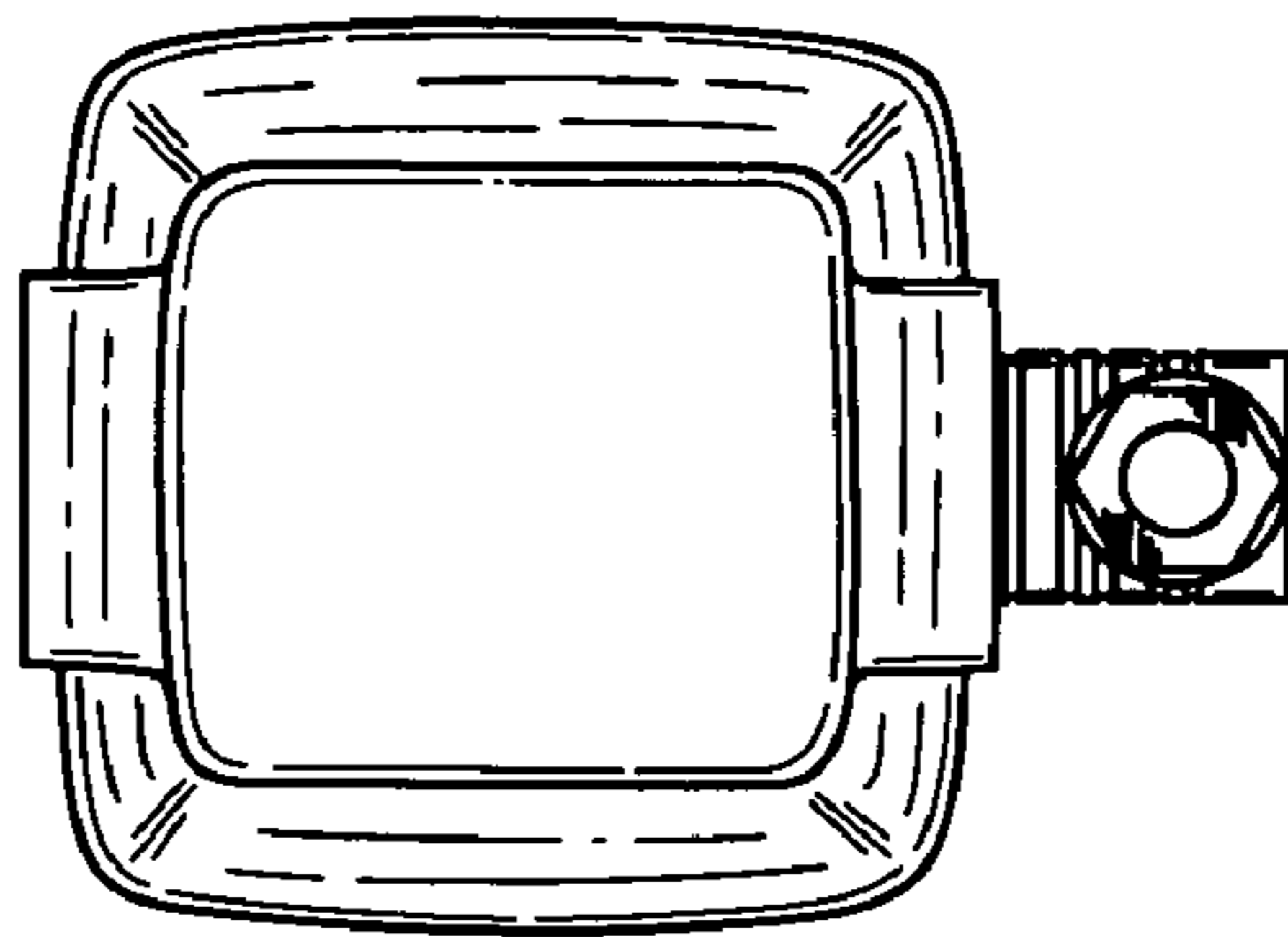


FIG. 5

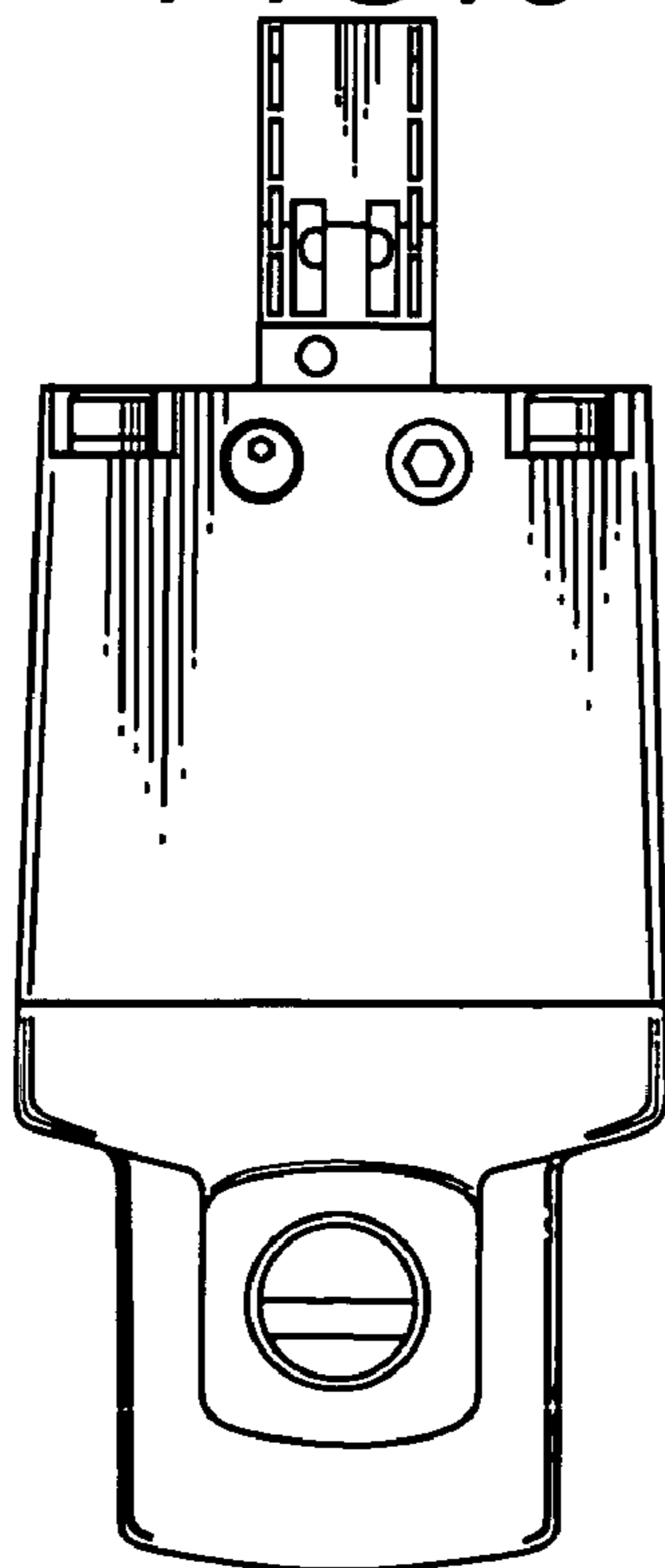


FIG. 6

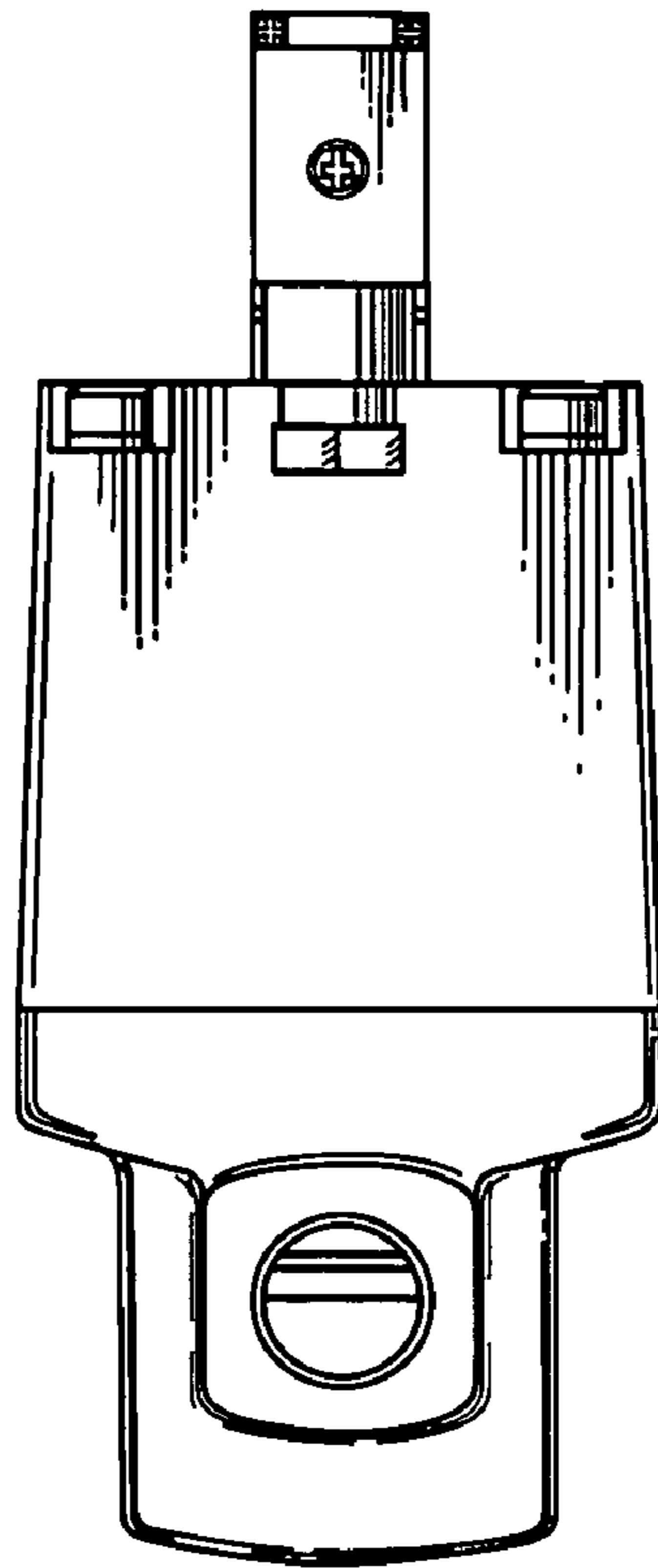


FIG. 7

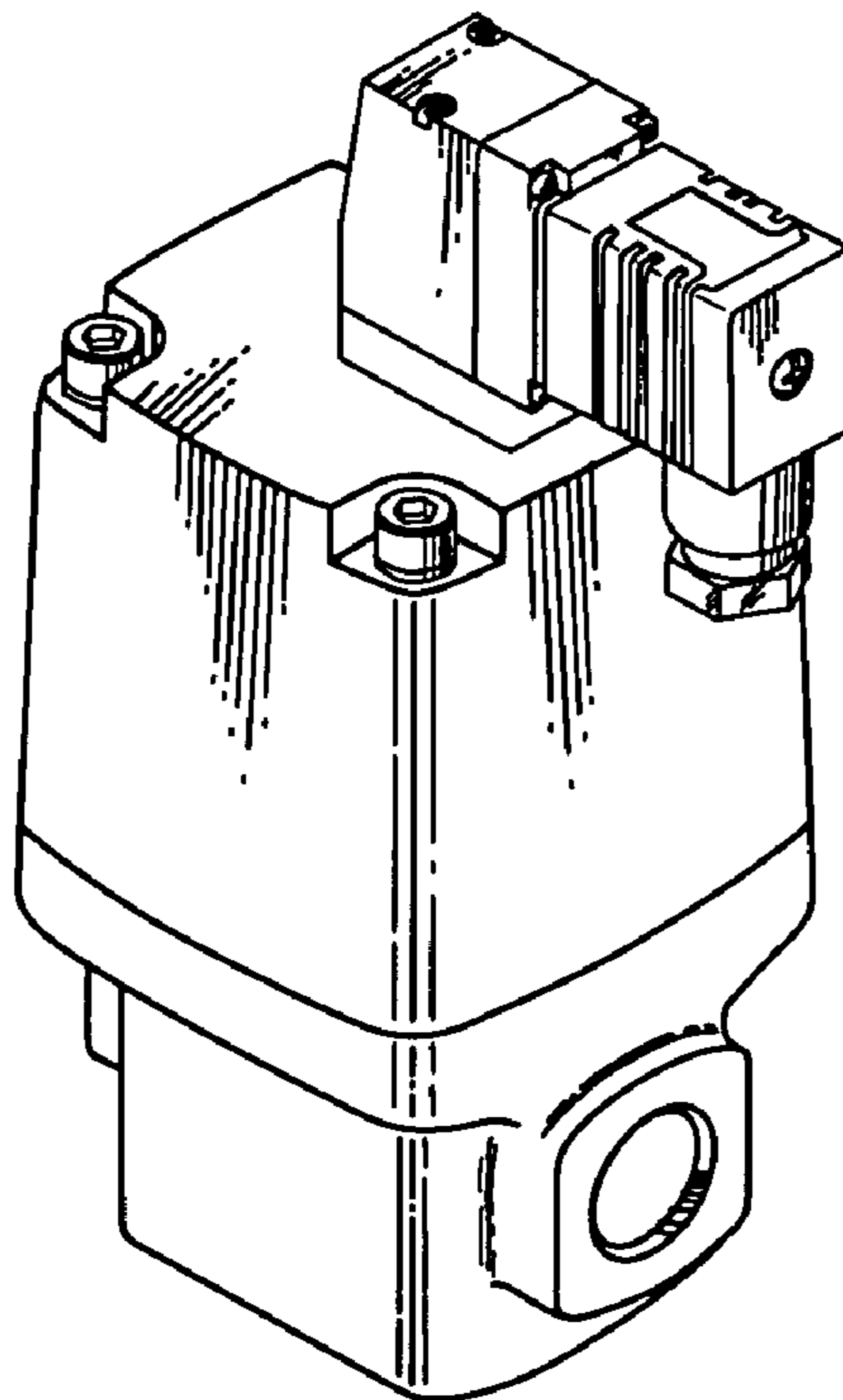


FIG. 8

