



US00D603014S

(12) **United States Design Patent**
Rice

(10) **Patent No.:** **US D603,014 S**
(45) **Date of Patent:** **** Oct. 27, 2009**

(54) **ANIMAL CARCASS DRAGGER**

(57) **CLAIM**

(76) **Inventor:** **Loyde Odell Rice**, 89 N. Oak St.,
Brevard, NC (US) 28712

The ornamental design for an animal carcass dragger, as shown.

(**) **Term:** **14 Years**

(21) **Appl. No.:** **29/313,689**

(22) **Filed:** **Feb. 2, 2009**

(51) **LOC (9) Cl.** **22-99**

(52) **U.S. Cl.** **D22/199**

(58) **Field of Classification Search** D22/199;
224/103, 921, 259-260, 638; 294/17, 26,
294/74, 137, 142, 81.2; 452/2-11; 43/5;
119/799

See application file for complete search history.

(56) **References Cited**

U.S. PATENT DOCUMENTS

3,188,130	A *	6/1965	Pietrowicz	294/74
5,901,999	A *	5/1999	Brock	294/137
D486,879	S *	2/2004	Powell et al.	D22/199
D502,756	S *	3/2005	Birdwell et al.	D22/199
6,921,325	B1	7/2005	Mace		
D509,881	S *	9/2005	Waltrip	D22/199
D543,257	S *	5/2007	Kaempfe et al.	D22/199

* cited by examiner

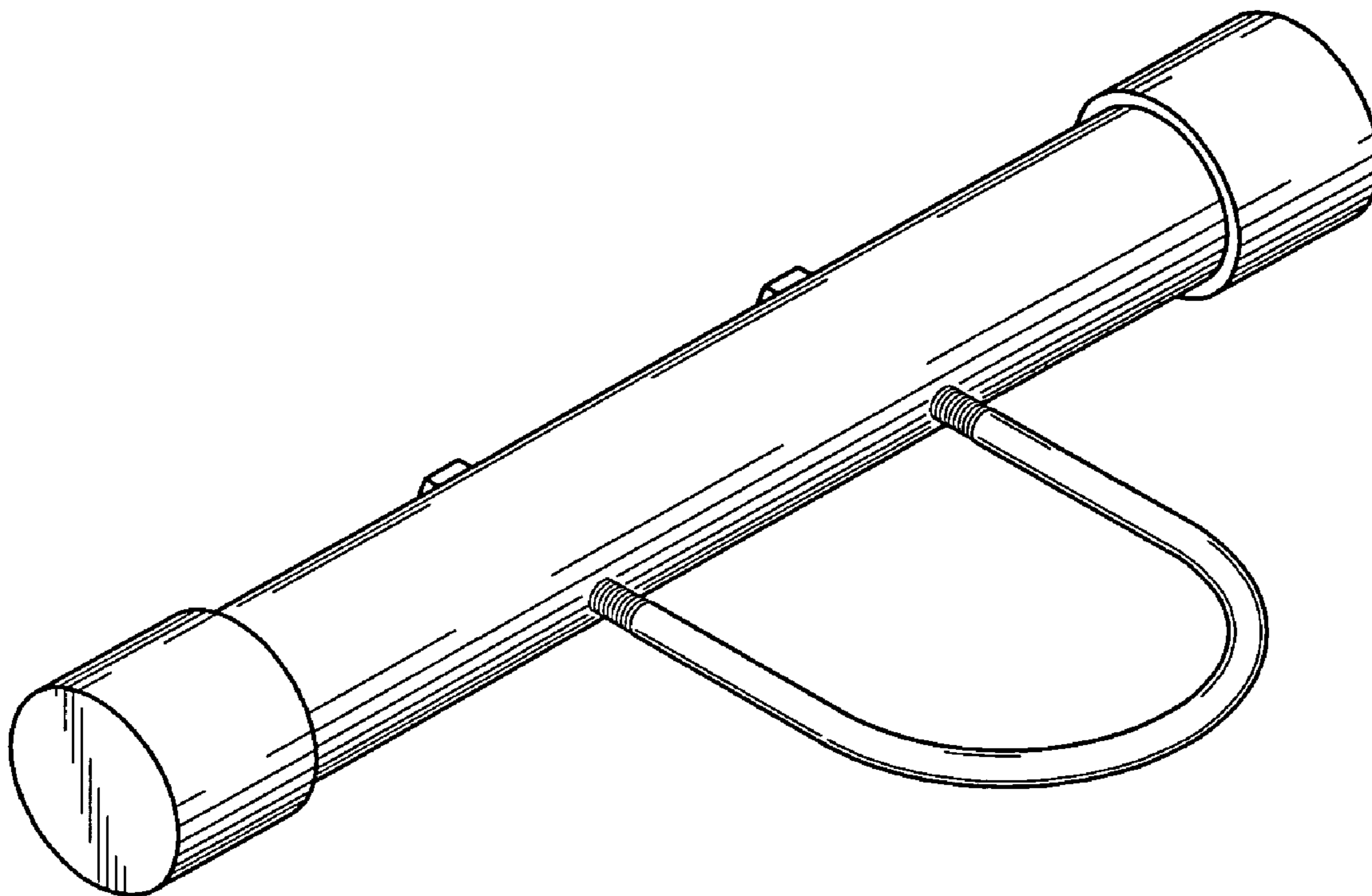
Primary Examiner—Catherine R Oliver

(74) *Attorney, Agent, or Firm*—Carter, Schnedler &
Warnock, P.A.

DESCRIPTION

FIG. 1 is a perspective view showing a first embodiment of my new design;
 FIG. 2 is a top and bottom view of the first embodiment;
 FIG. 3 is a front view of the first embodiment;
 FIG. 4 is a rear view of the first embodiment;
 FIG. 5 is a side view of the first embodiment;
 FIG. 6 is a perspective view showing a second embodiment of my new design;
 FIG. 7 is a top and bottom view of the second embodiment;
 FIG. 8 is a front view of the second embodiment;
 FIG. 9 is a rear view of the second embodiment;
 FIG. 10 is a side view of the second embodiment;
 FIG. 11 is a perspective view showing a third embodiment of my new design;
 FIG. 12 is a top and bottom view of the third embodiment;
 FIG. 13 is a front view of the third embodiment;
 FIG. 14 is a rear view of the third embodiment; and,
 FIG. 15 is a side view of the third embodiment.

1 Claim, 6 Drawing Sheets



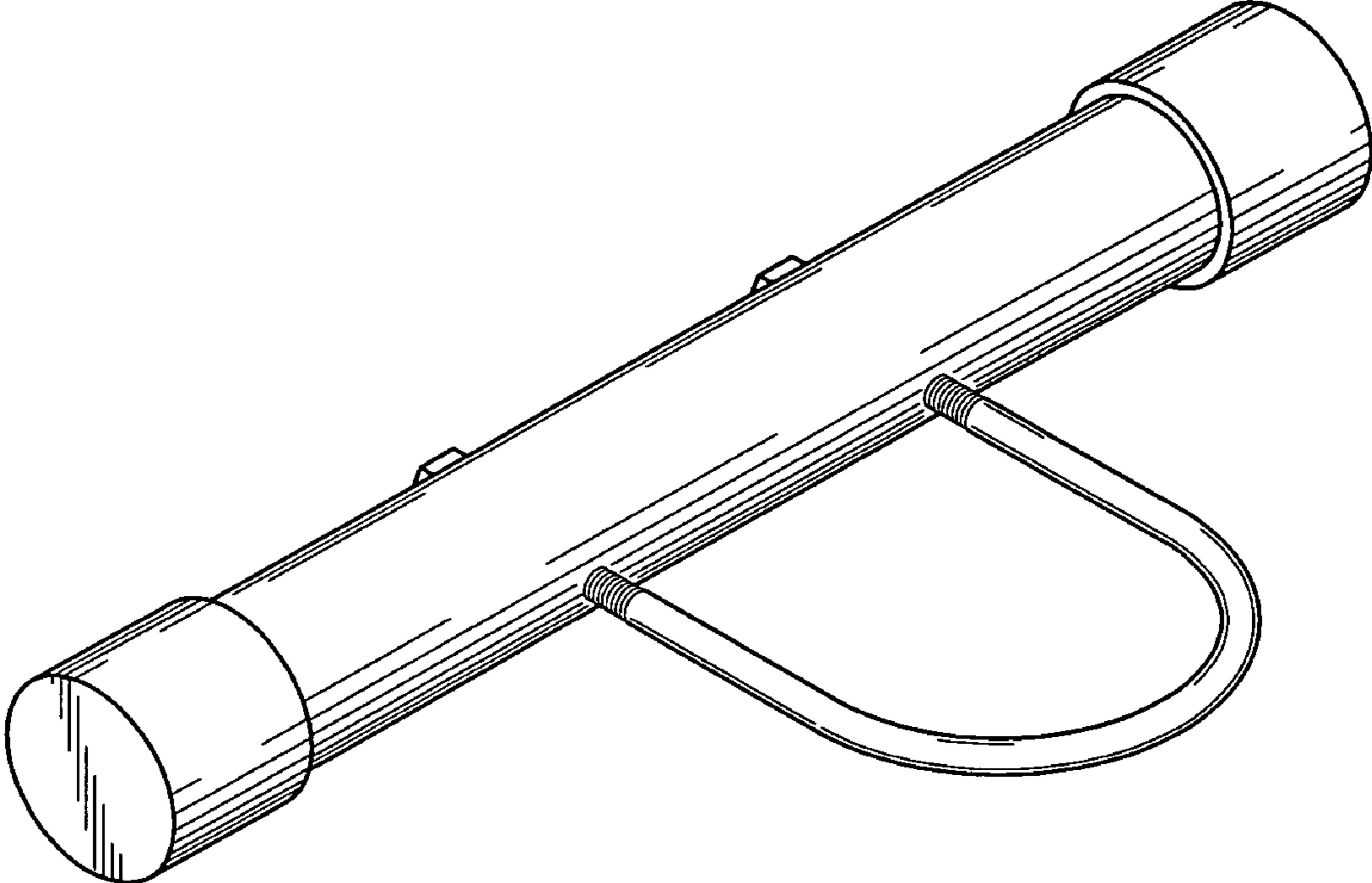


Fig. 1

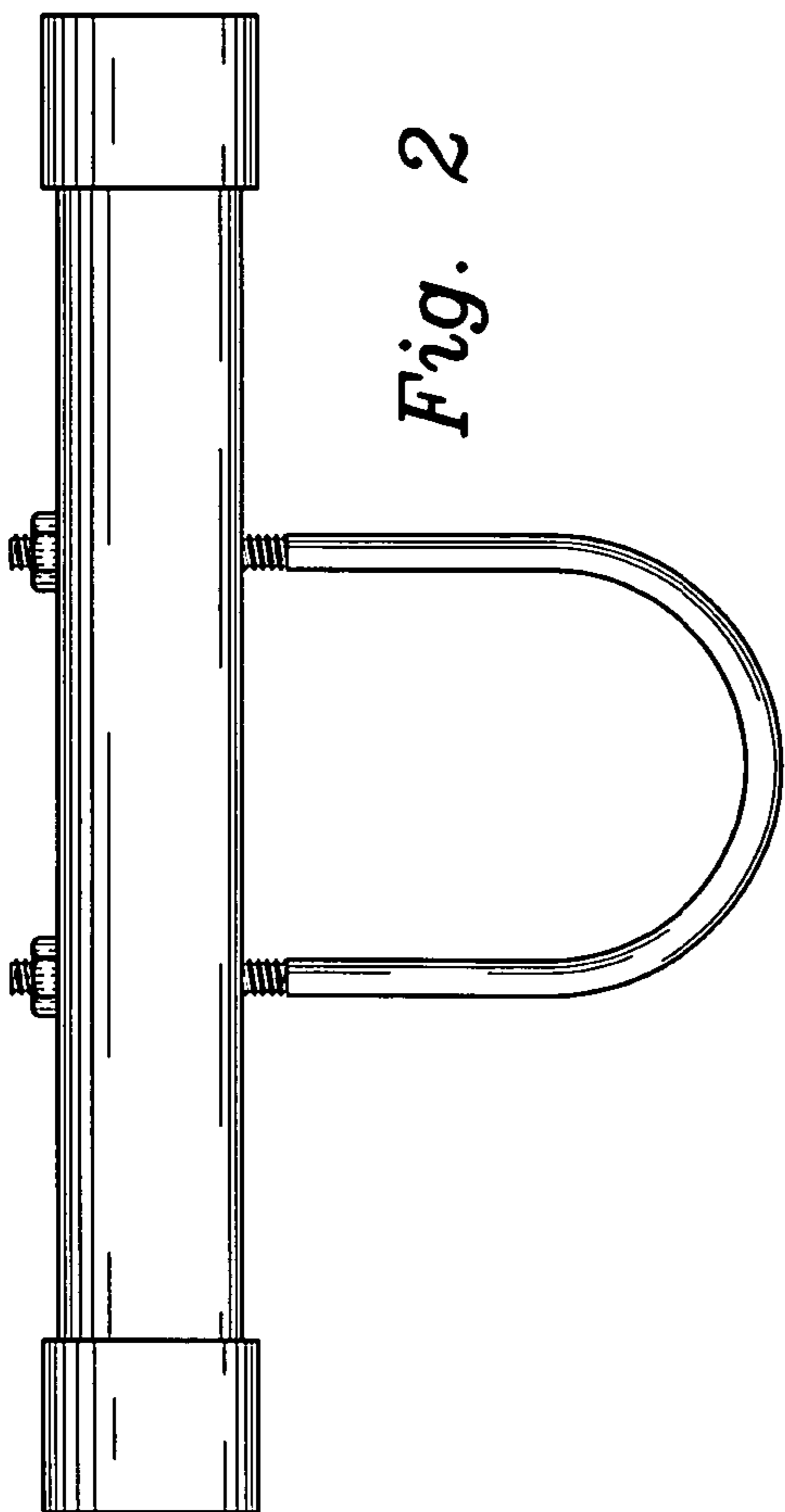


Fig. 2

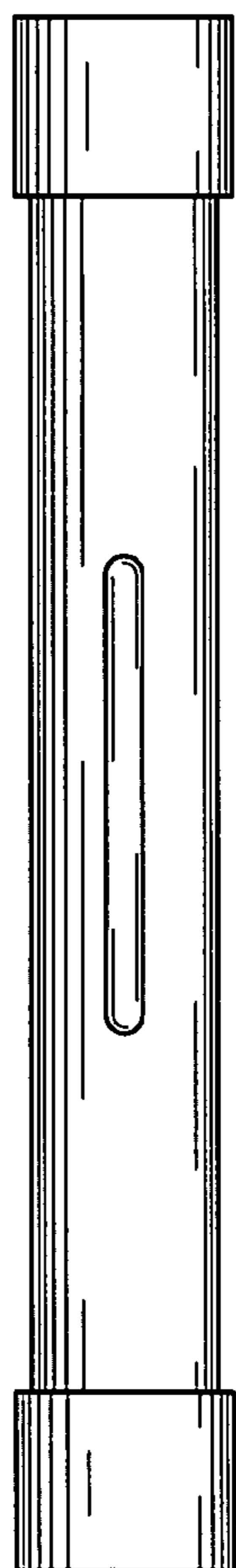


Fig. 3

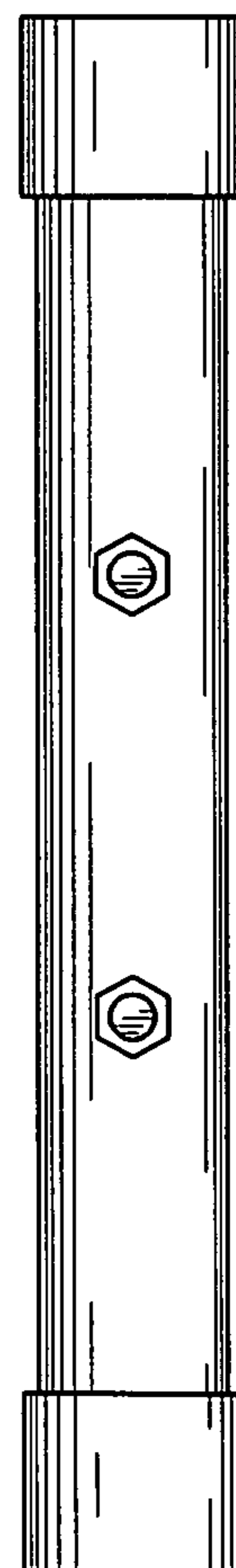


Fig. 4

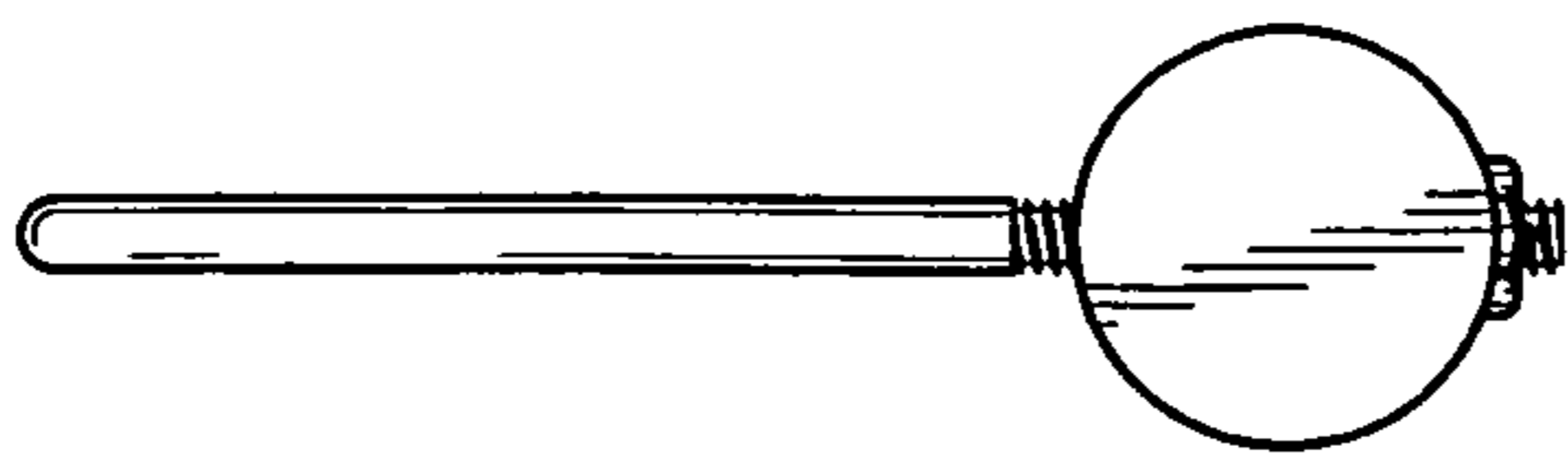


Fig. 5

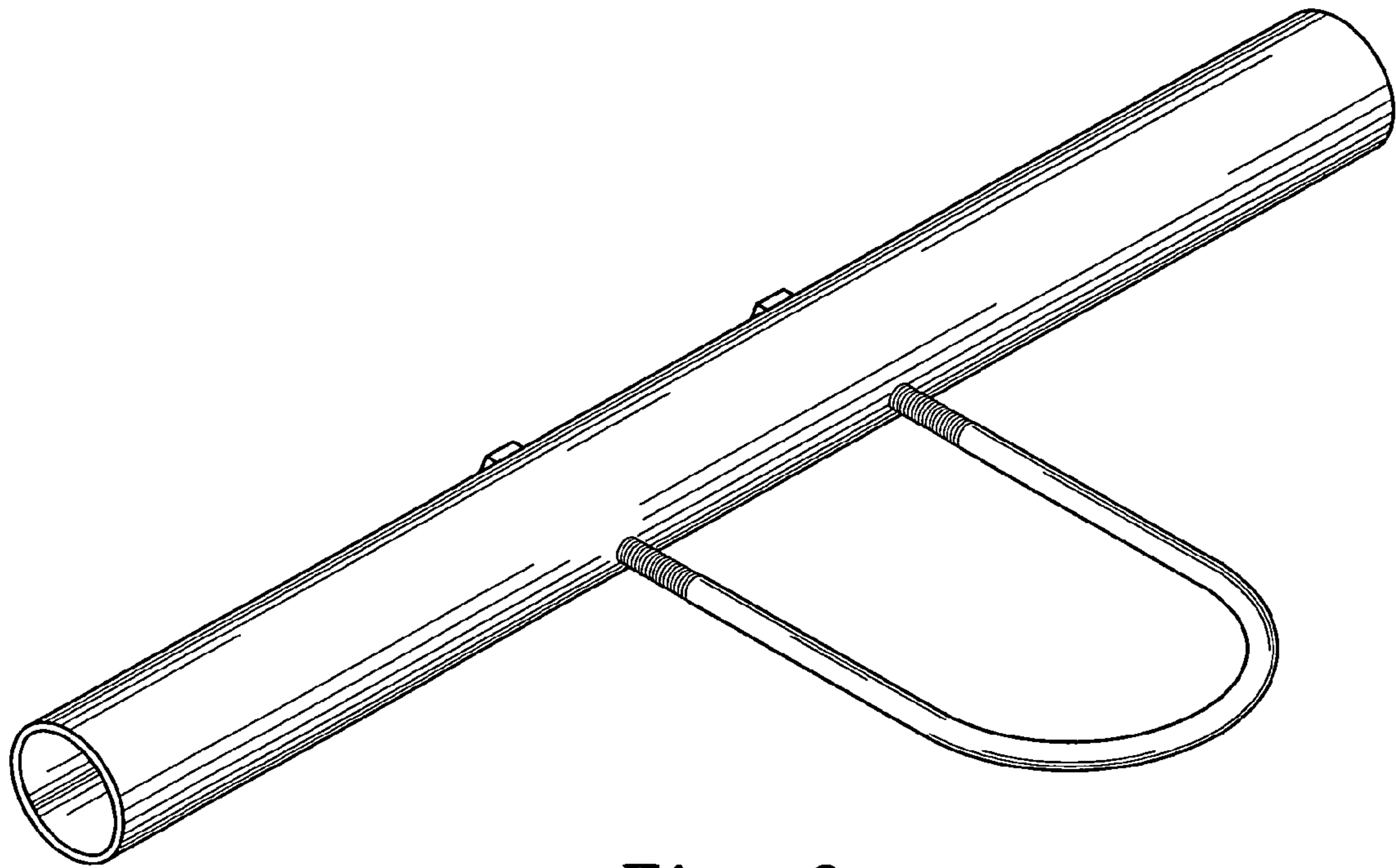


Fig. 6

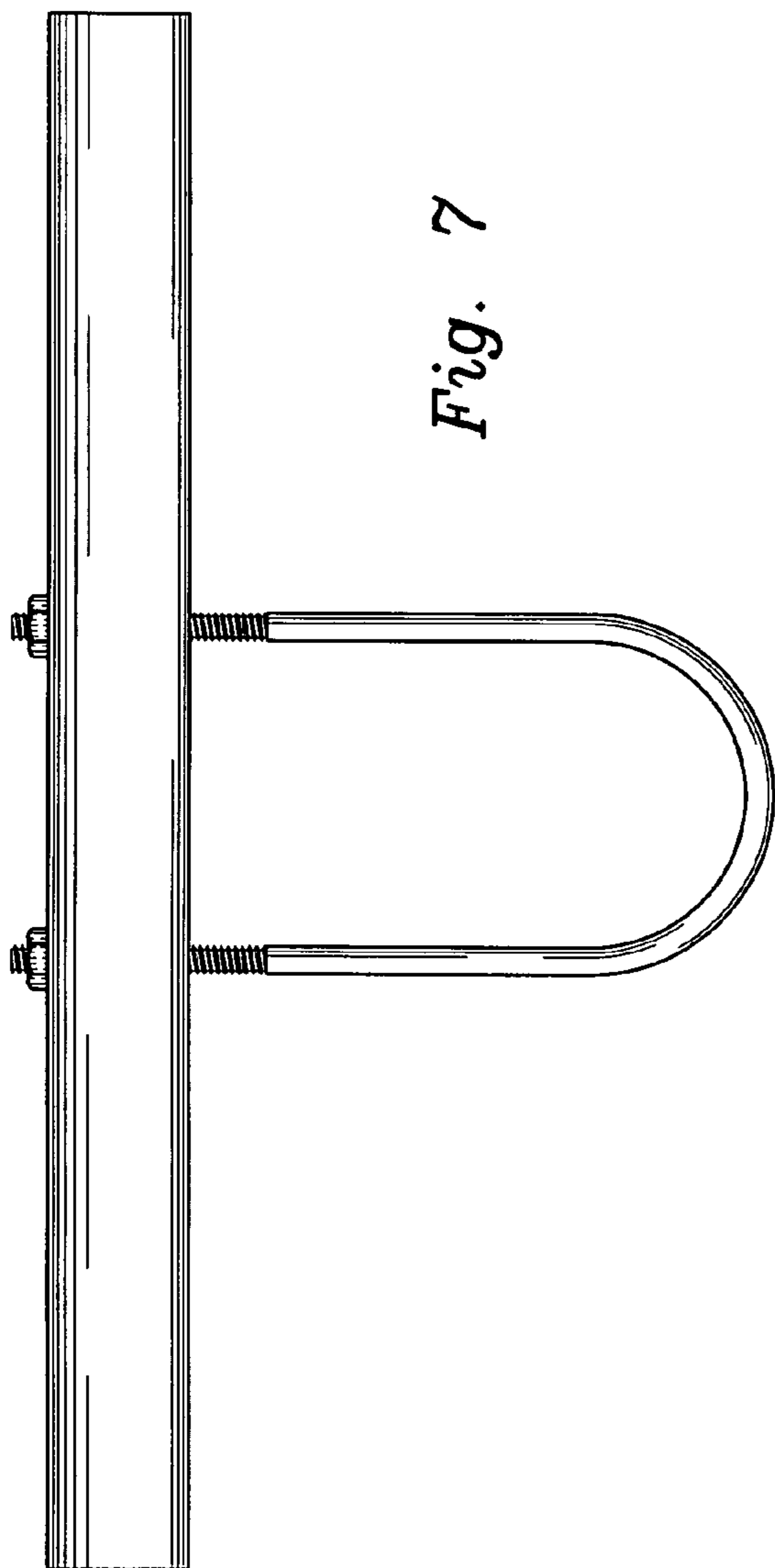


Fig. 7



Fig. 8

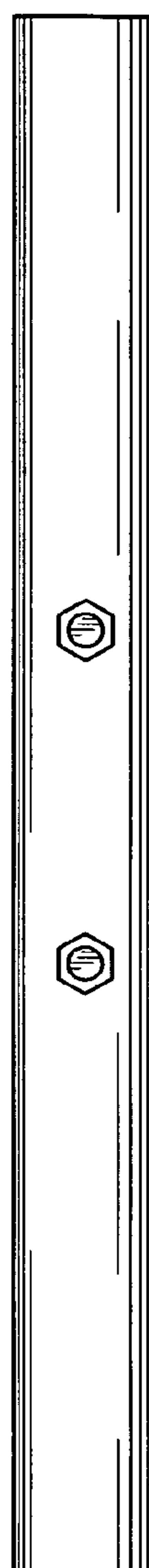


Fig. 9

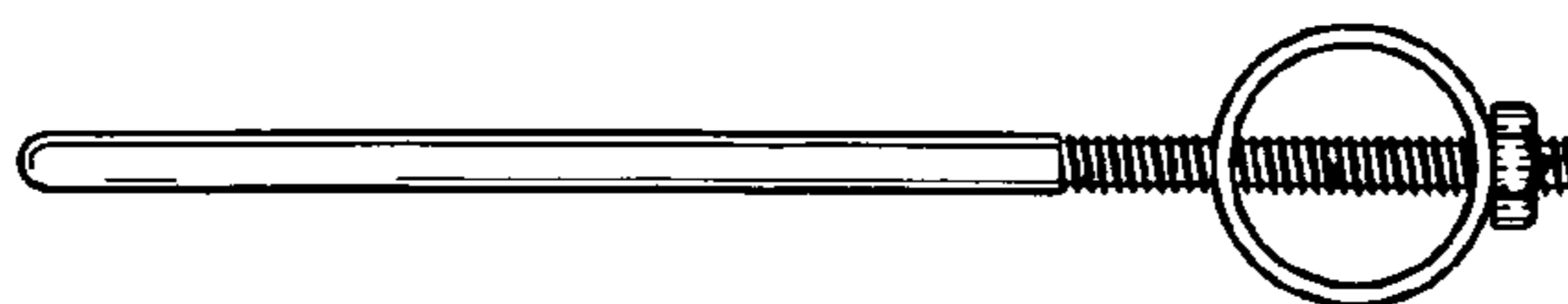


Fig. 10

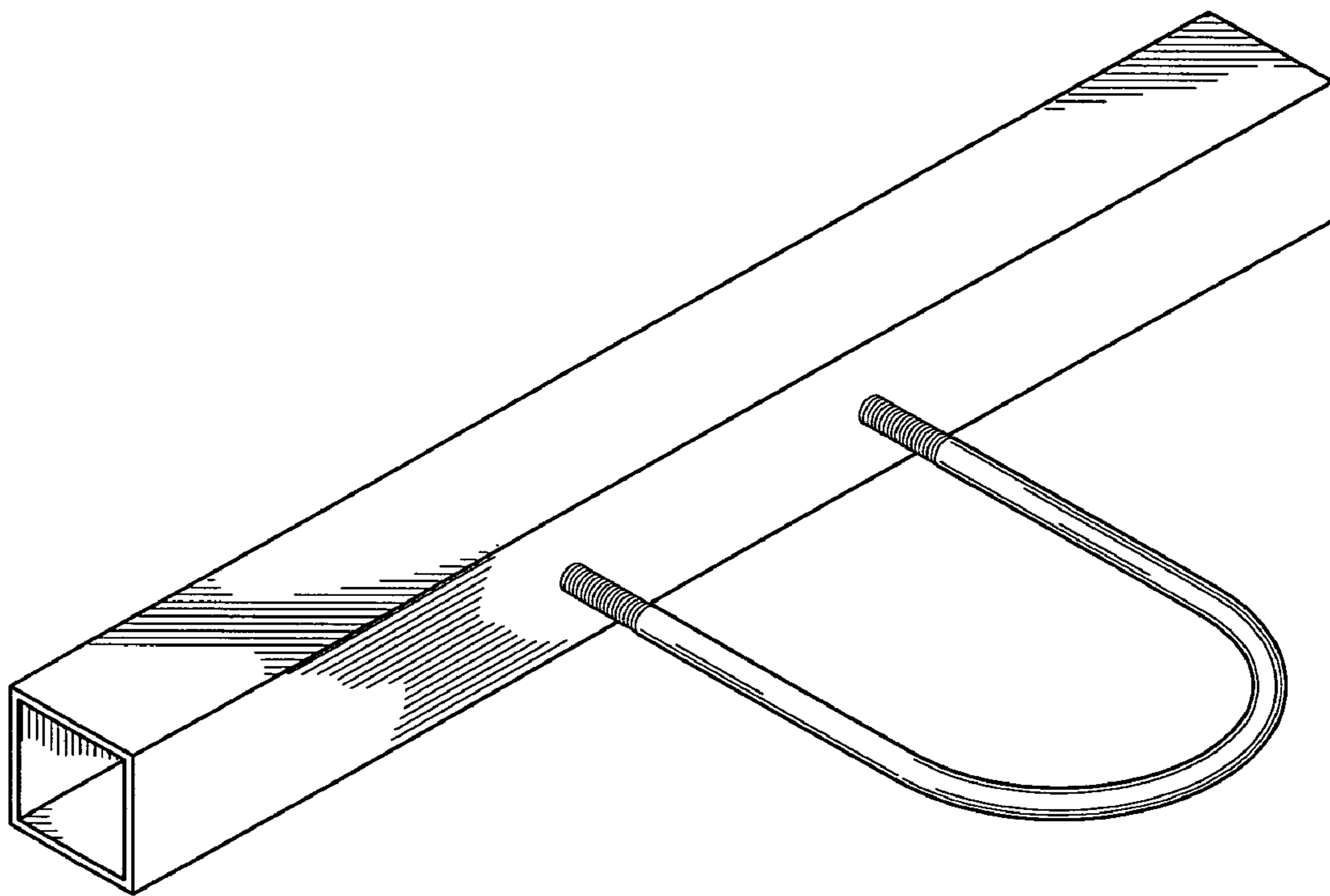


Fig. 11

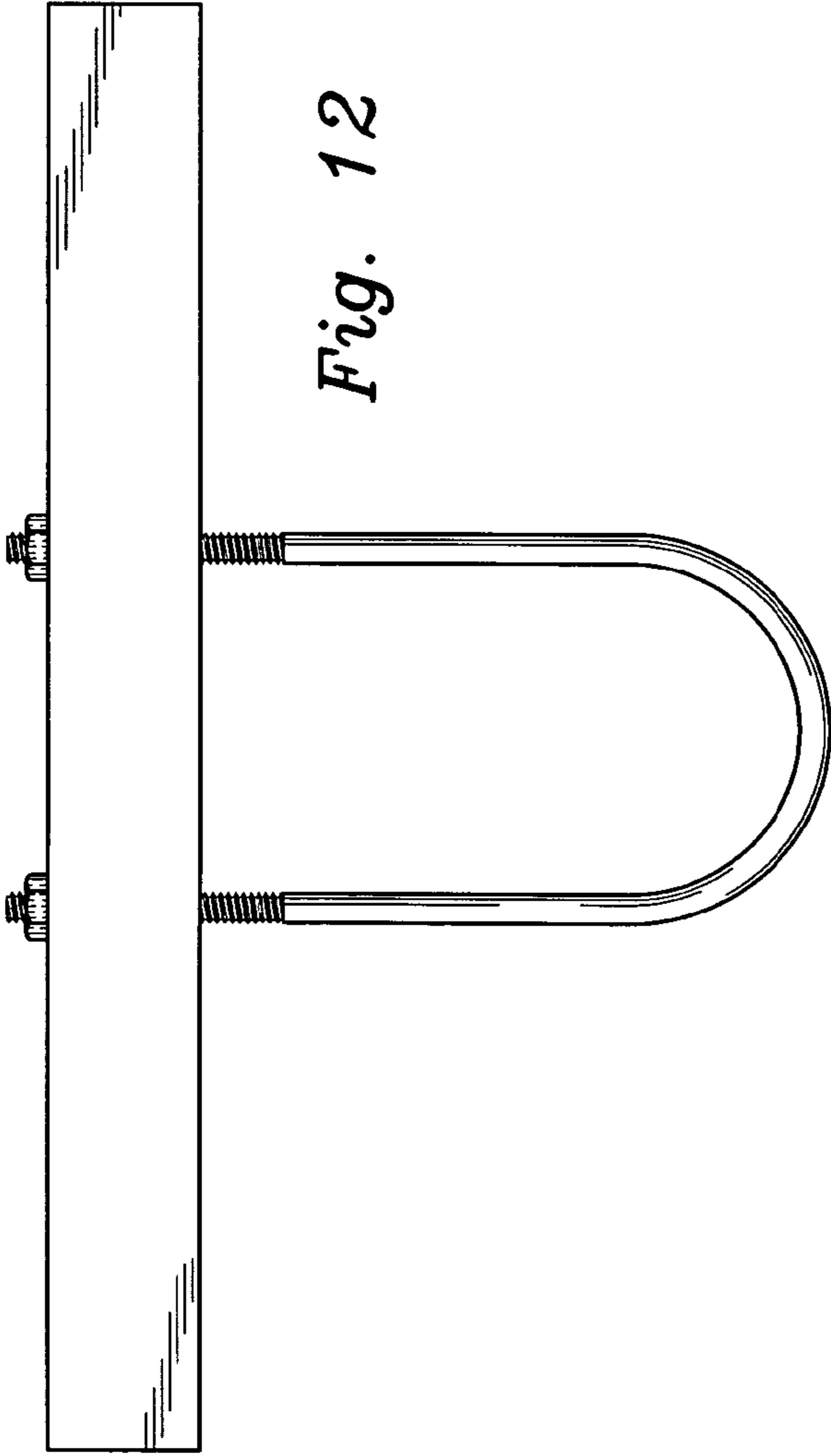


Fig. 12

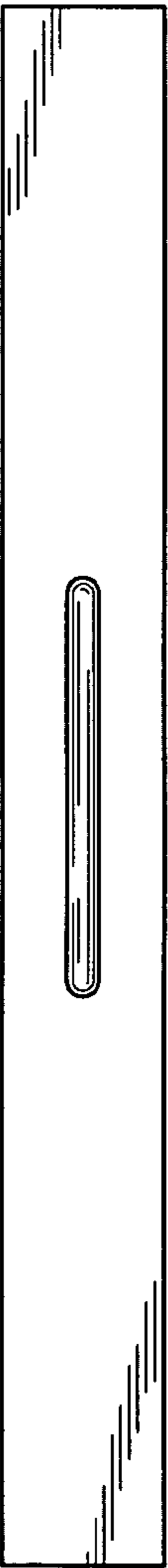


Fig. 13

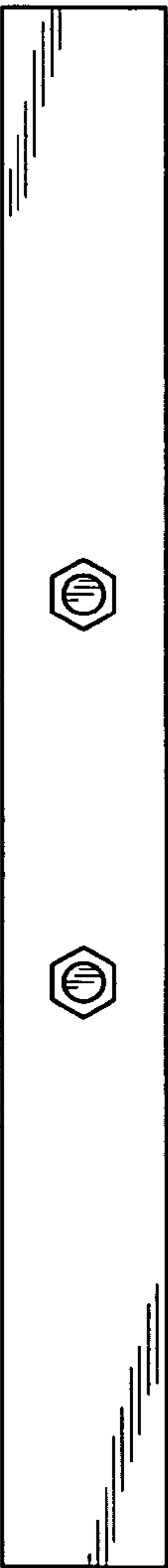


Fig. 14

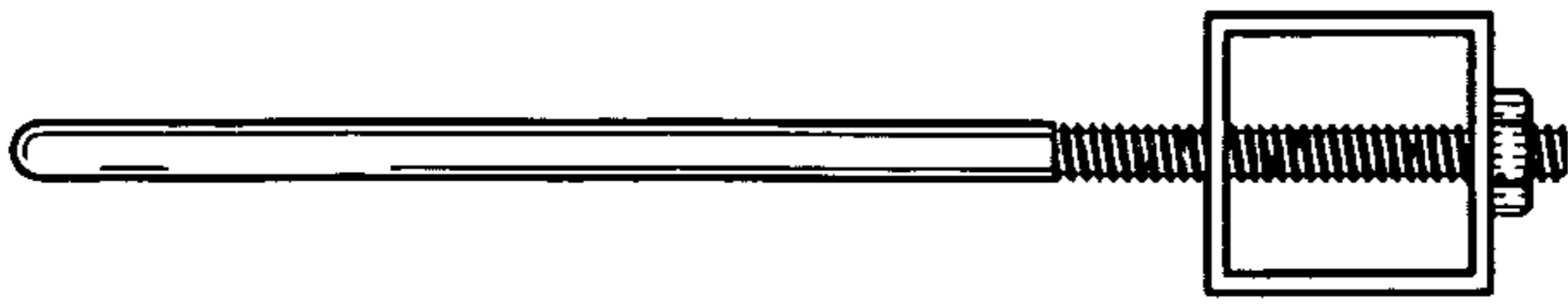


Fig. 15