



US00D603013S

(12) **United States Design Patent**
Fitzpatrick et al.

(10) **Patent No.:** **US D603,013 S**
(45) **Date of Patent:** **** Oct. 27, 2009**

(54) **FIREARM STOCK**

2008/0236017 A1* 10/2008 Fitzpatrick et al. 42/73

(75) Inventors: **Richard Fitzpatrick**, Longmont, CO (US); **Michael T Mayberry**, Denver, CO (US); **Brian Nakayama**, Arvada, CO (US)

(73) Assignee: **Magpul Industries Corporation**, Boulder, CO (US)

(**) Term: **14 Years**

(21) Appl. No.: **29/302,206**

(22) Filed: **Jan. 11, 2008**

(51) **LOC (9) Cl.** **22-01**

(52) **U.S. Cl.** **D22/108**

(58) **Field of Classification Search** D22/100,
D22/108, 109, 110, 199; 42/11, 72, 75.02,
42/71.01, 85, 90, 106, 114, 113, 116, 119,
42/124, 125, 127, 145, 128; 248/201, 205.1

See application file for complete search history.

(56) **References Cited**

U.S. PATENT DOCUMENTS

1,032,628	A	7/1912	Sherman	
1,651,299	A	11/1927	Stansel	
3,710,496	A	1/1973	Packmayr	
4,122,623	A	10/1978	Stice	
4,589,219	A	5/1986	Milliman	
4,663,877	A	5/1987	Bragg	
4,896,446	A	1/1990	Gregory	
5,031,348	A	7/1991	Carey	
5,075,995	A	12/1991	Kennel	
5,933,997	A	8/1999	Barrett	
6,598,330	B2*	7/2003	Garrett et al.	42/85
6,637,141	B1*	10/2003	Weatherby et al.	42/75.03
D517,637	S*	3/2006	Murello et al.	D22/103
7,162,823	B2*	1/2007	Schoppman et al.	42/75.01
D551,313	S	9/2007	Saur	
2008/0028662	A1*	2/2008	Abraham et al.	42/74
2008/0168695	A1*	7/2008	Nakayama	42/75.02
2008/0236016	A1*	10/2008	Fitzpatrick et al.	42/71.01

OTHER PUBLICATIONS

Command Arms Accessories Online Catalog (2008) SRS Product Information.

Heckler & Koch Online Catalog (2008) PSG1A1 Product Information.

Magpul Online Catalog (2007) PRS Ar15/M16 Product Information.

Magpul Online Catalog (2007) FAL Preproduction Product Information.

U.S. Appl. No. 29/302,198, filed Jan. 11, 2008, Fitzpatrick.

* cited by examiner

Primary Examiner—T. Chase Nelson

Assistant Examiner—Michael A Pratt

(74) *Attorney, Agent, or Firm*—Swanson & Bratschun, L.L.C.

(57) **CLAIM**

The ornamental design for a firearm stock, as shown and described.

DESCRIPTION

FIG. 1 is a right side perspective view of a 1 firearm stock showing our new design;

FIG. 2 is a left side perspective view of the firearm stock of FIG. 1;

FIG. 3 is a left side elevation view of the firearm stock of FIG. 1;

FIG. 4 is a right side elevation view of the firearm stock of FIG. 1;

FIG. 5 is a top plan view of the firearm stock of FIG. 1;

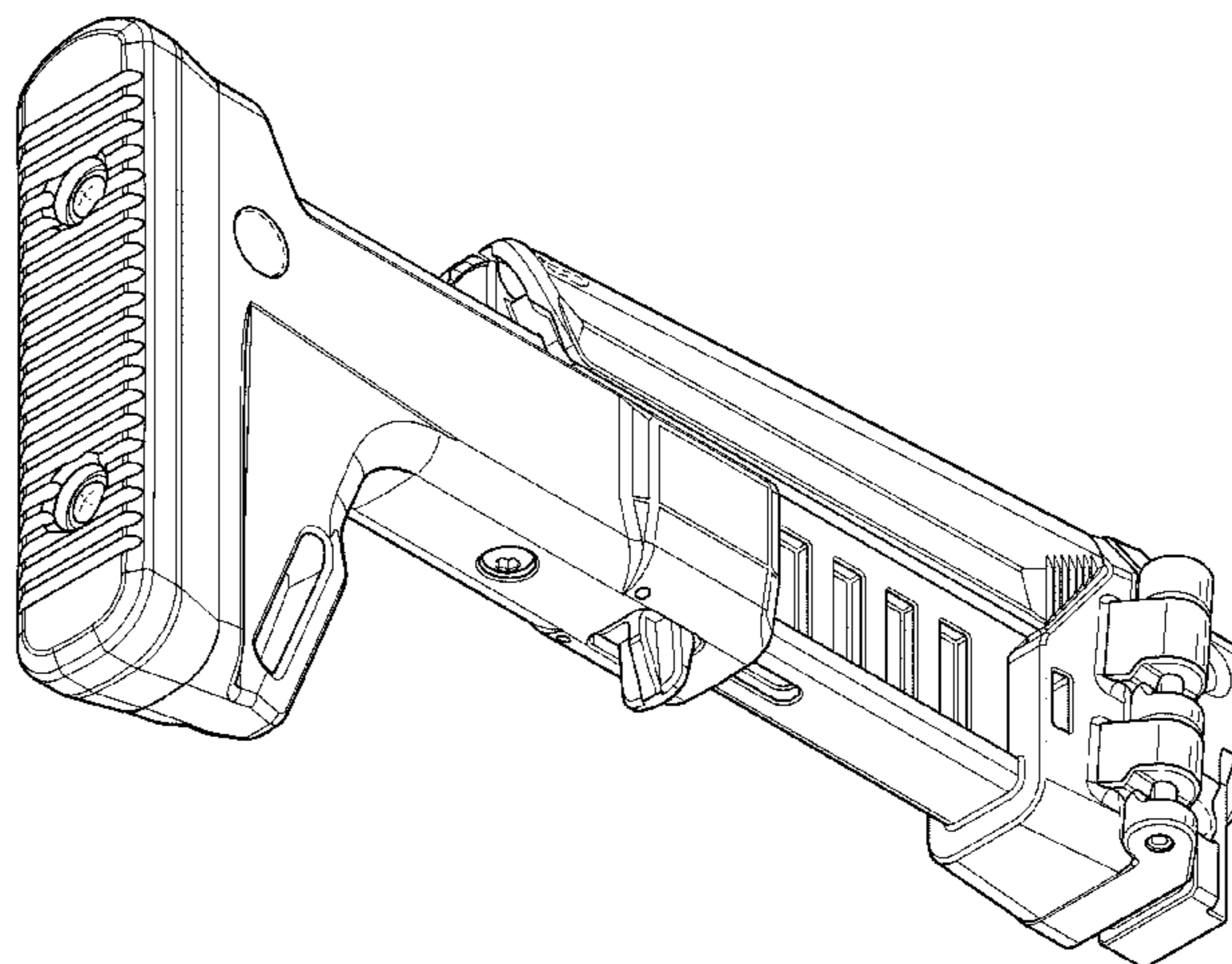
FIG. 6 is a bottom plan view of the firearm stock of FIG. 1;

FIG. 7 is a front elevation view of the firearm stock of FIG. 1; and,

FIG. 8 is a rear elevation view of the firearm stock of FIG. 1.

The broken line showing of portions of the claimed design in all figures is included for the purpose of illustrating environment and forms no part of the claimed designs.

1 Claim, 6 Drawing Sheets



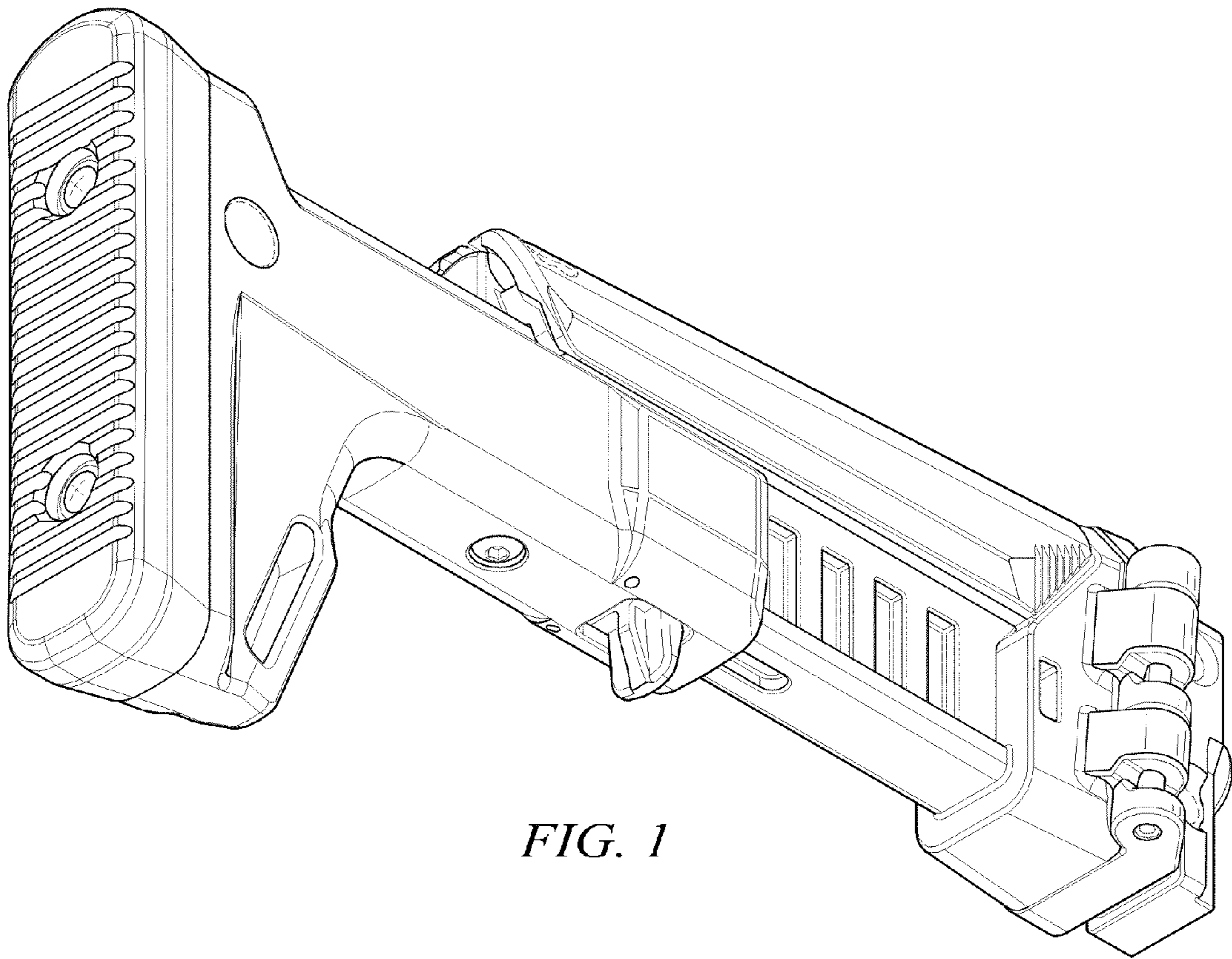


FIG. 1

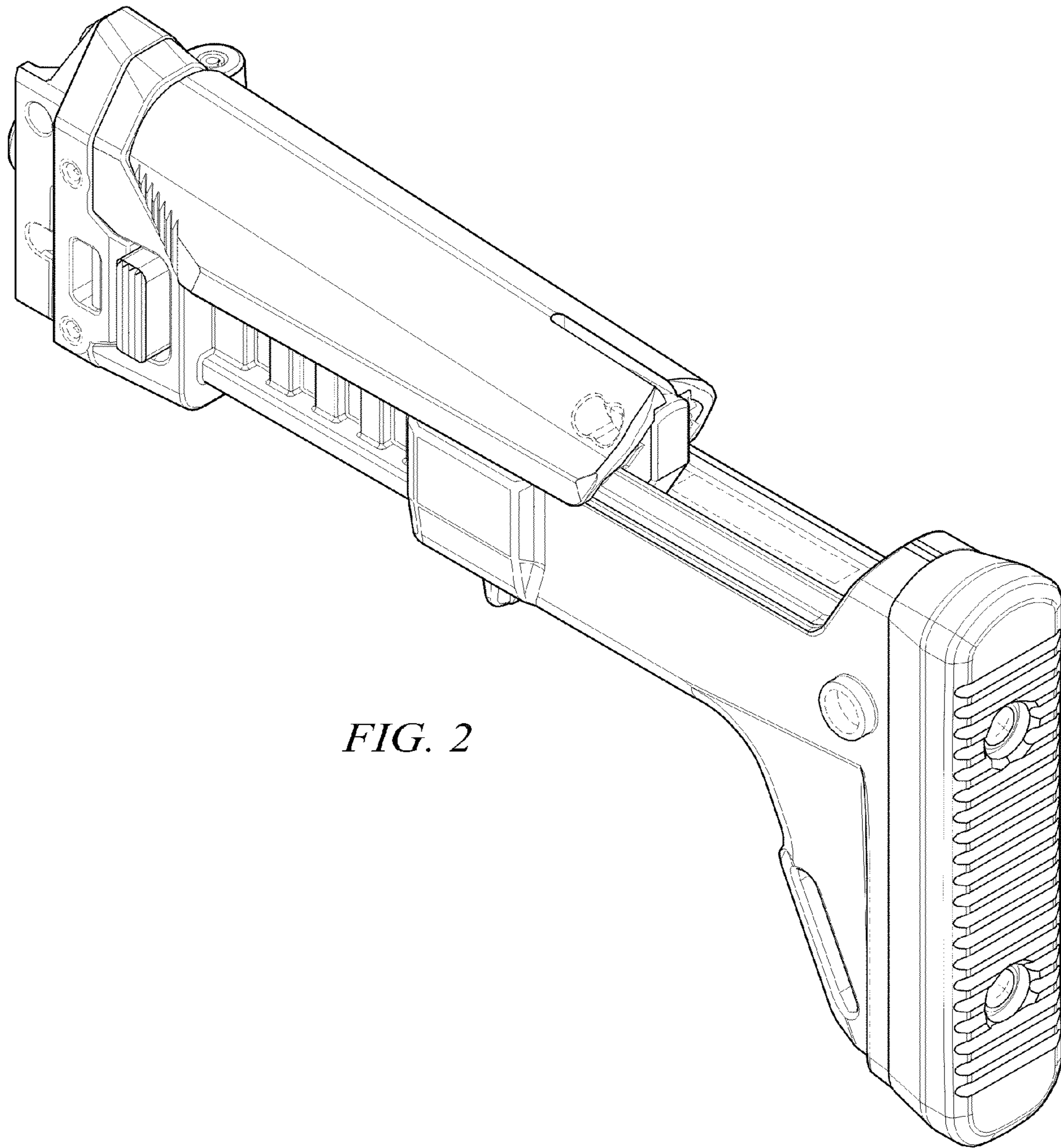


FIG. 2

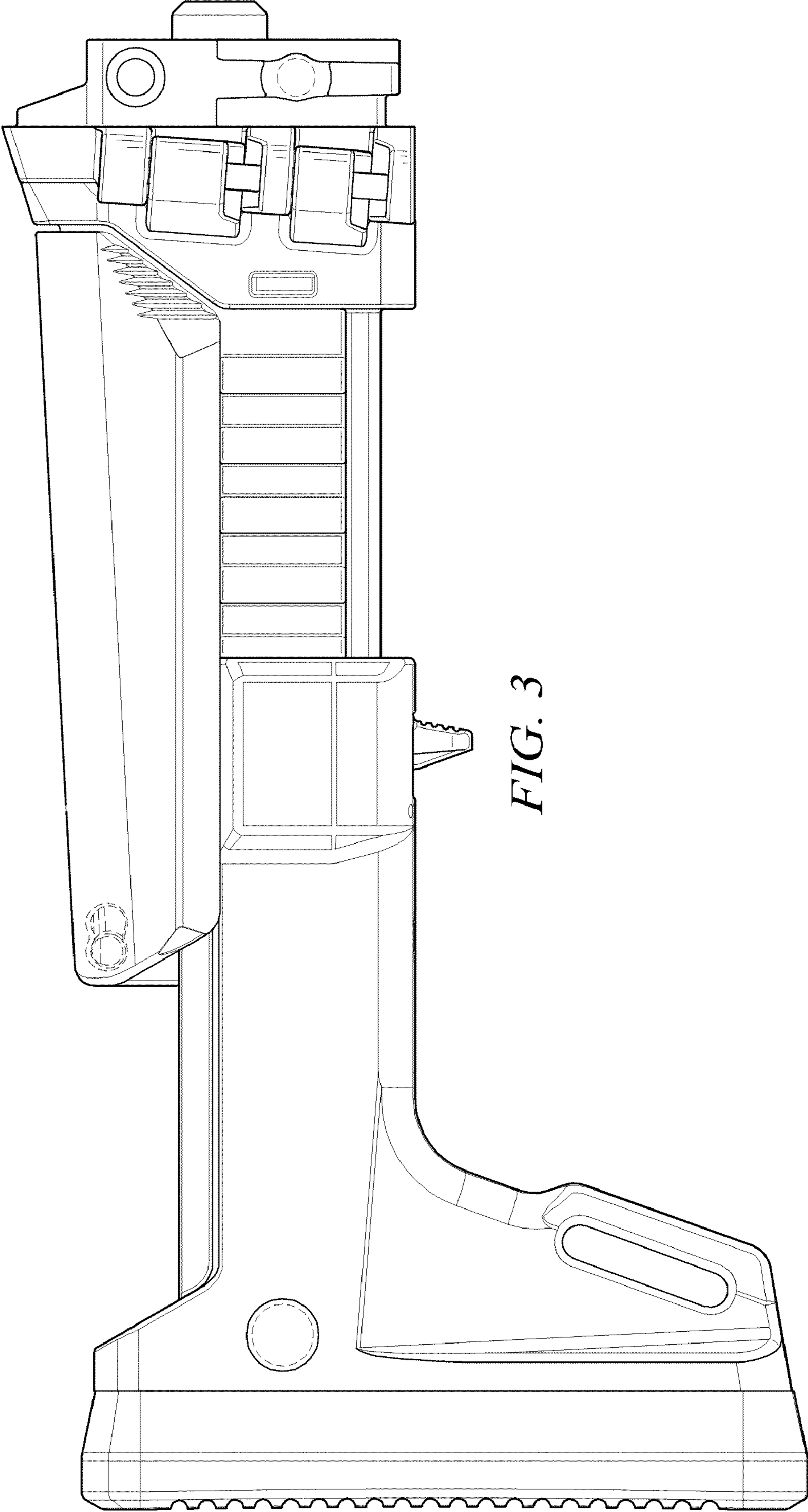


FIG. 3

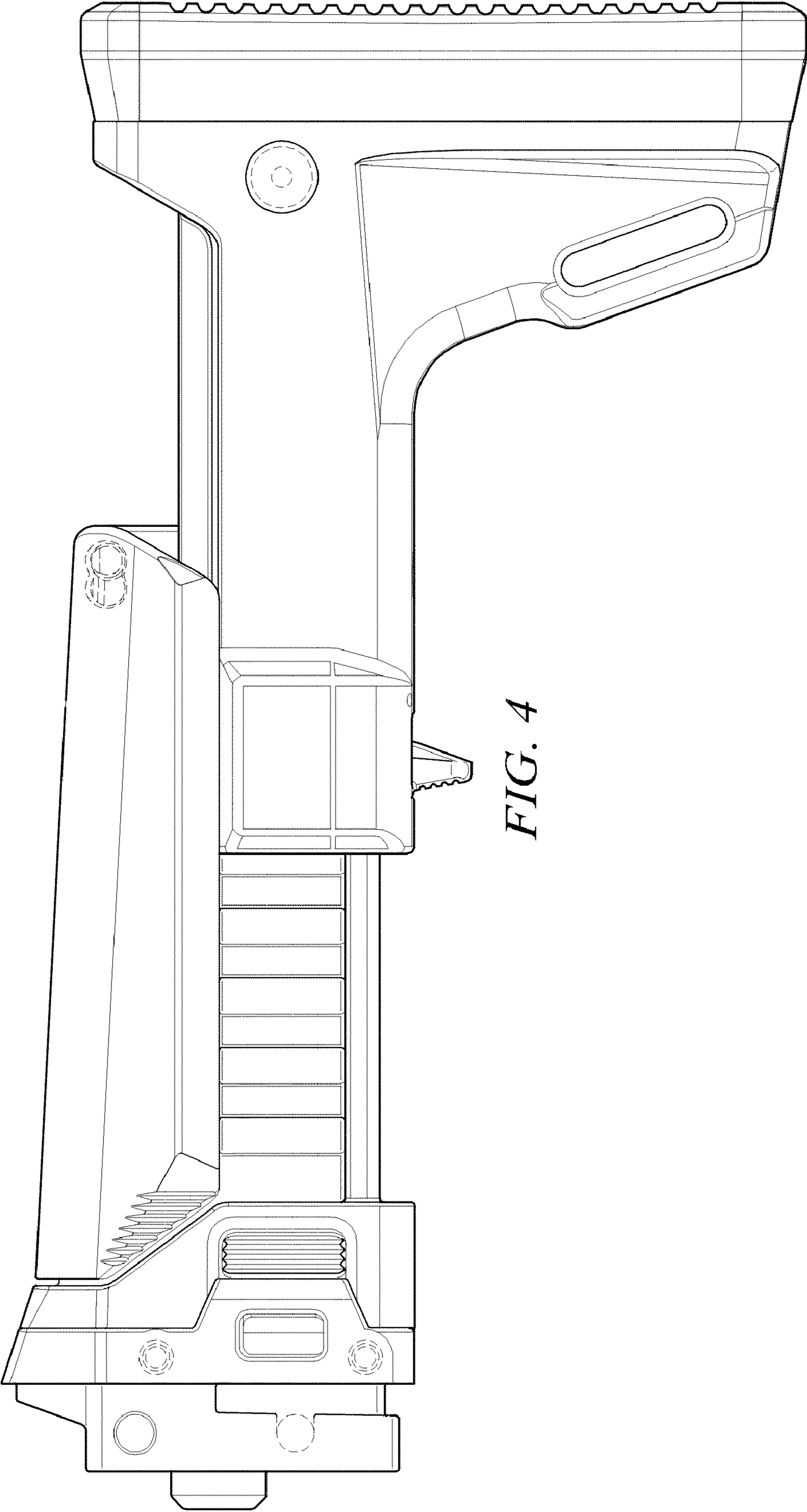


FIG. 4

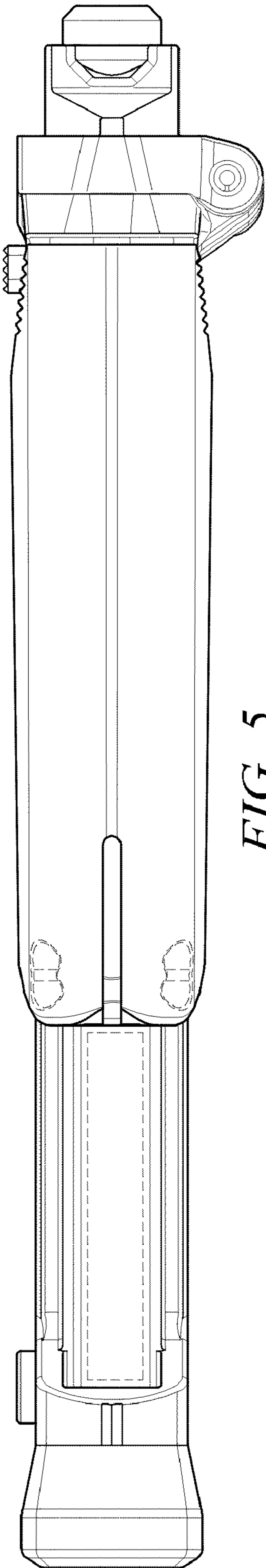


FIG. 5

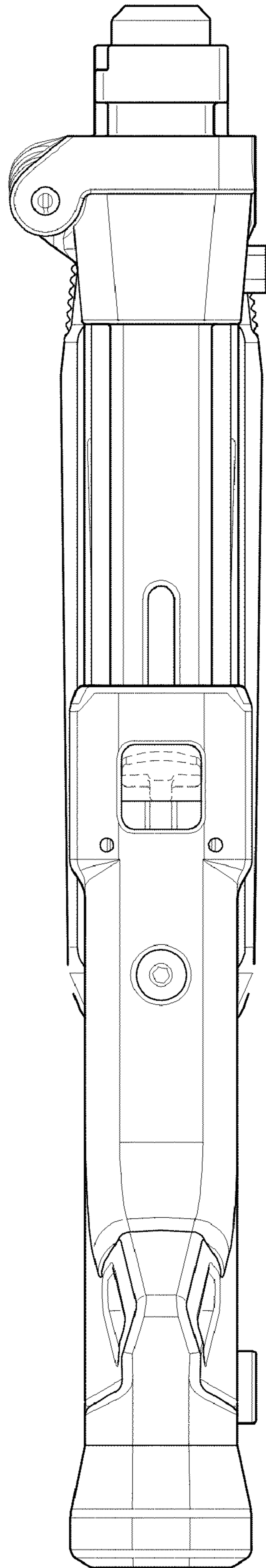


FIG. 6

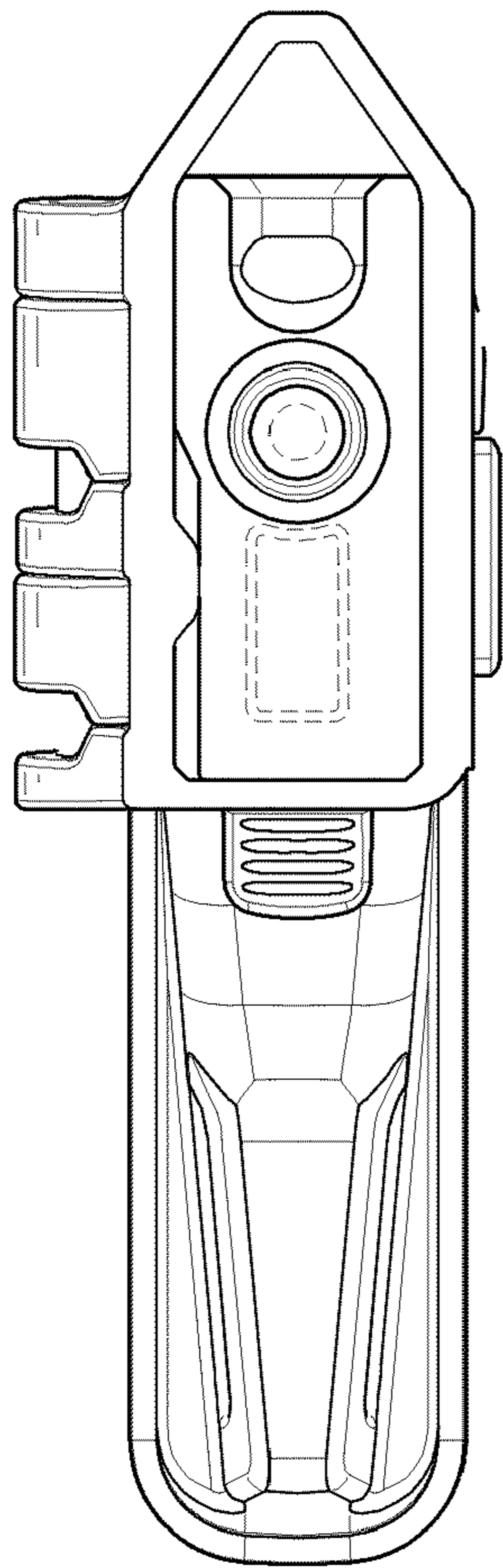


FIG. 7

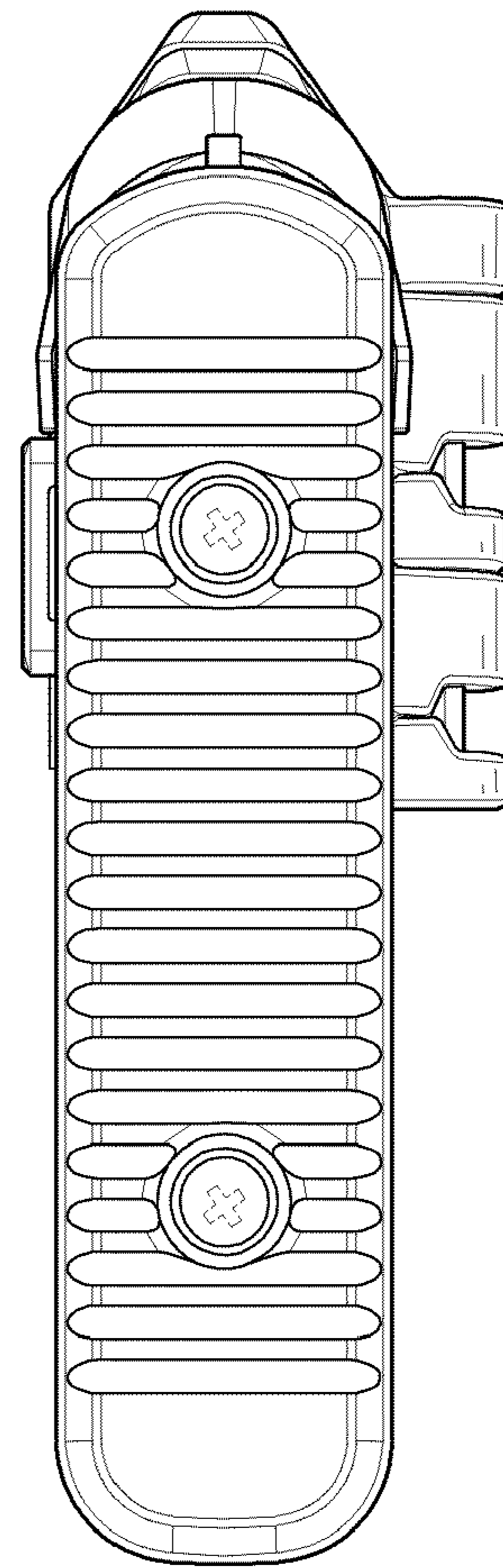


FIG. 8