

US00D603012S

(12) **United States Design Patent**
Fitzpatrick et al.

(10) **Patent No.:** **US D603,012 S**

(45) **Date of Patent:** **** Oct. 27, 2009**

(54) **LOWER GRIP HOUSING FOR A FIREARM
USING AN AK-47 MAGAZINE**

(75) Inventors: **Richard Fitzpatrick**, Longmont, CO
(US); **Michael T Mayberry**, Denver, CO
(US); **Brian Nakayama**, Arvada, CO
(US)

(73) Assignee: **Magpul Industries Corporation**,
Boulder, CO (US)

(**) Term: **14 Years**

(21) Appl. No.: **29/302,205**

(22) Filed: **Jan. 11, 2008**

(51) **LOC (9) Cl.** **22-01**

(52) **U.S. Cl.** **D22/108**

(58) **Field of Classification Search** D22/100,
D22/108, 109, 110, 199; 42/11, 72, 75.02,
42/71.01, 85, 90, 106, 114, 113, 116, 119,
42/124, 125, 127, 145, 128; 248/201, 205.1;
362/110; 33/241; 313/105 R; 89/40.06,
89/37.04, 33.04, 191.01; 124/67, 66, 74
See application file for complete search history.

(56) **References Cited**

U.S. PATENT DOCUMENTS

5,900,577	A	5/1999	Robinson	
6,481,145	B2	11/2002	Weichert	
6,598,330	B2 *	7/2003	Garrett et al.	42/85
D512,117	S	11/2005	Murello	
D516,660	S	3/2006	Murello	
D517,152	S	3/2006	Murello	
D517,637	S	3/2006	Murello	
7,162,823	B2	1/2007	Schoppman	
D551,313	S	9/2007	Saur	
7,428,795	B2 *	9/2008	Herring	42/75.01
2003/0110675	A1 *	6/2003	Garrett et al.	42/85
2004/0000083	A1 *	1/2004	Grant, Jr.	42/112
2004/0244258	A1	12/2004	O'Dwyer	
2005/0000142	A1 *	1/2005	Kim et al.	42/124
2005/0183317	A1 *	8/2005	Finn	42/72

2006/0283067	A1 *	12/2006	Herring	42/75.01
2007/0130817	A1 *	6/2007	Ballard	42/118
2008/0168695	A1	7/2008	Nakayama	
2008/0236017	A1	10/2008	Fitzpatrick	

OTHER PUBLICATIONS

U.S. Appl. No. 29/302,203, filed Jan. 11, 2008, Fitzpatrick.

* cited by examiner

Primary Examiner—T. Chase Nelson

Assistant Examiner—Michael A Pratt

(74) *Attorney, Agent, or Firm*—Swanson & Bratschun,
L.L.C.

(57) **CLAIM**

The ornamental design for a lower grip housing for a firearm using an AK-47 magazine, as shown and described.

DESCRIPTION

FIG. 1 is a left side perspective view of a lower grip housing for a firearm using an AK-47 magazine showing our new design;

FIG. 2 is a right side perspective view of the lower grip housing of FIG. 1;

FIG. 3 is a left side elevation view of the lower grip housing of FIG. 1;

FIG. 4 is a right side elevation view of the lower grip housing of FIG. 1;

FIG. 5 is a top plan view of the lower grip housing of FIG. 1;

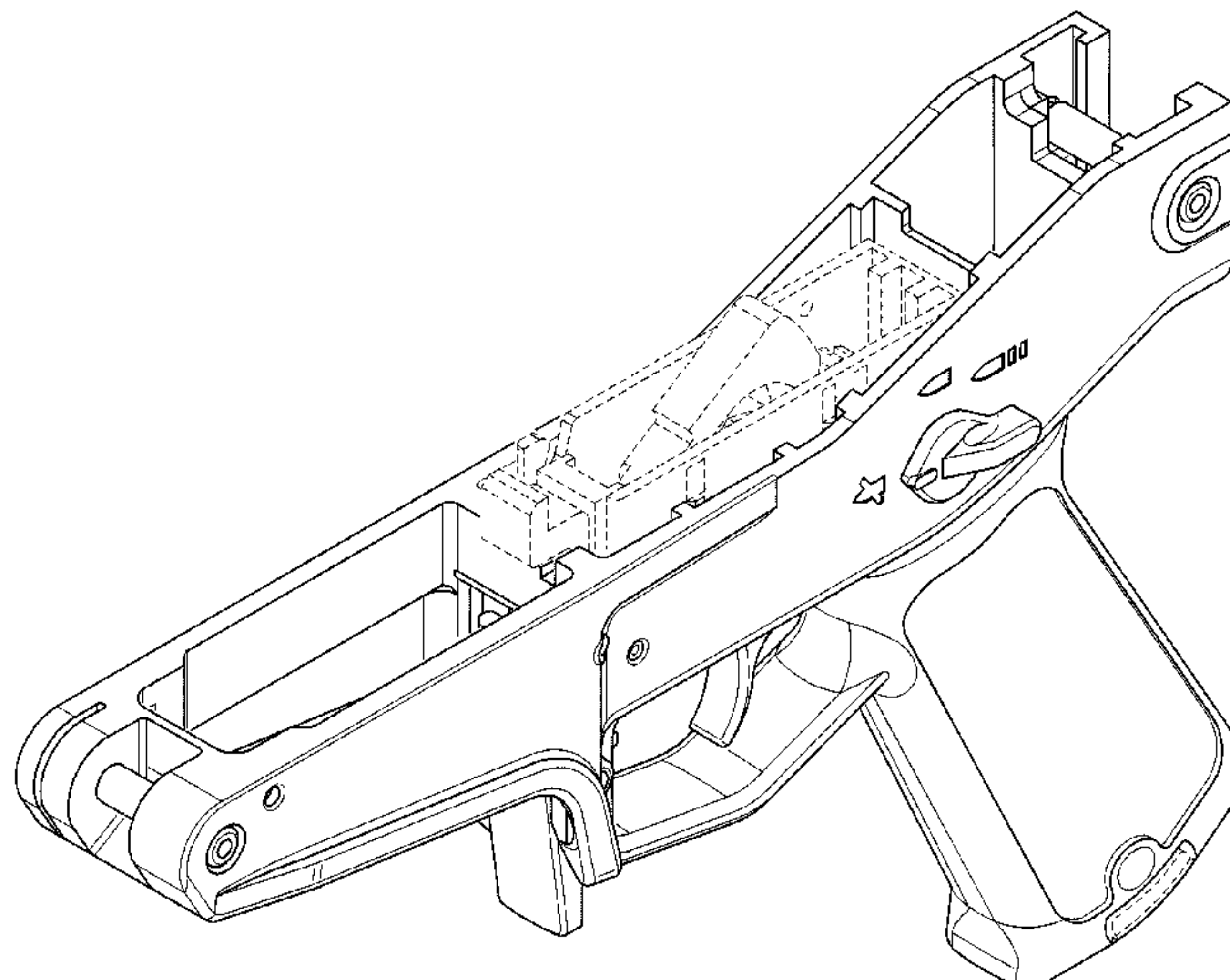
FIG. 6 is a bottom plan view of the lower grip housing of FIG. 1;

FIG. 7 is a front elevation view of the lower grip housing of FIG. 1; and,

FIG. 8 is a rear elevation view of the lower grip housing of FIG. 1.

The broken line showing of portions of the claimed design in all figures is included for the purpose of illustrating environment and forms no part of the claimed design.

1 Claim, 6 Drawing Sheets



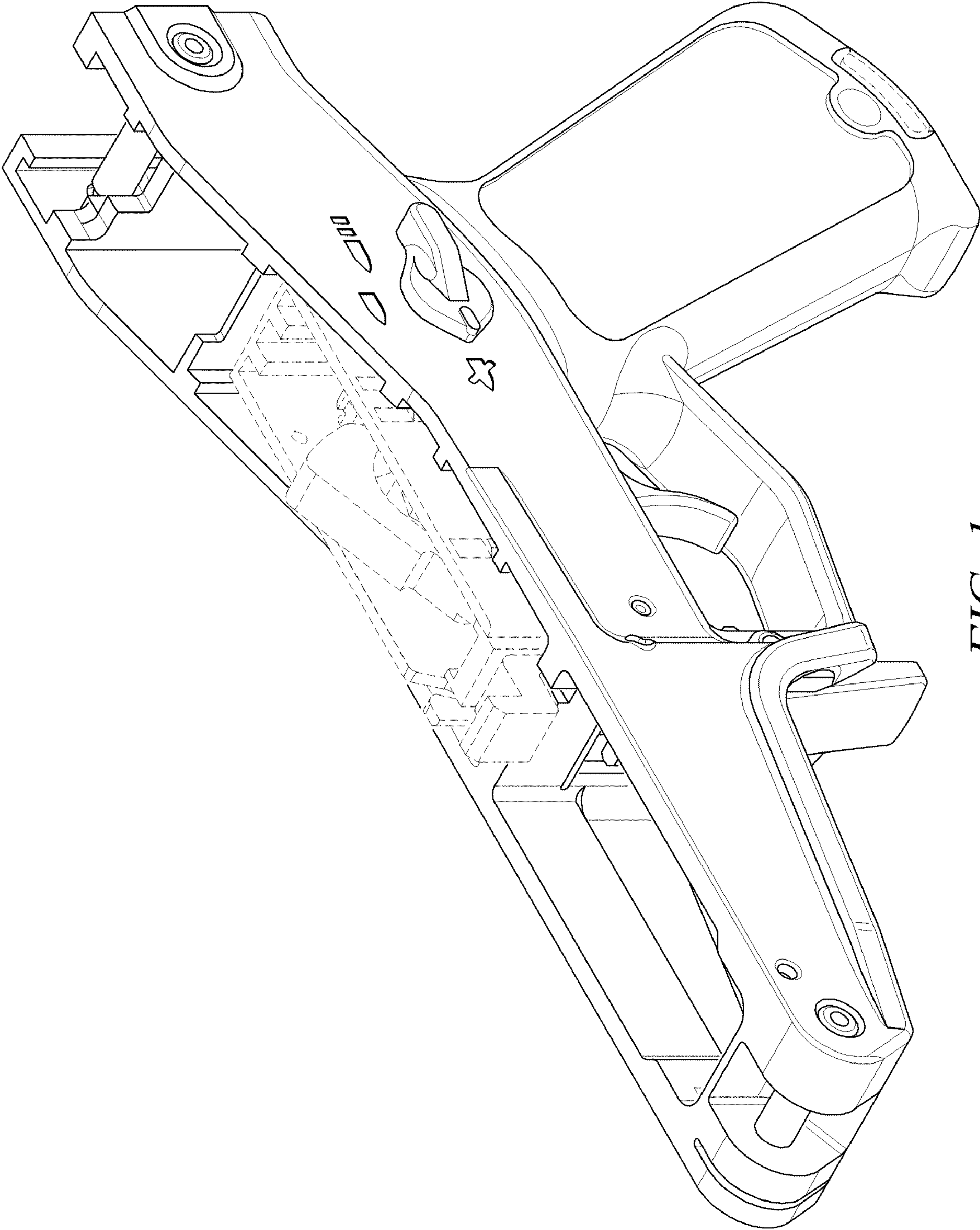


FIG. 1

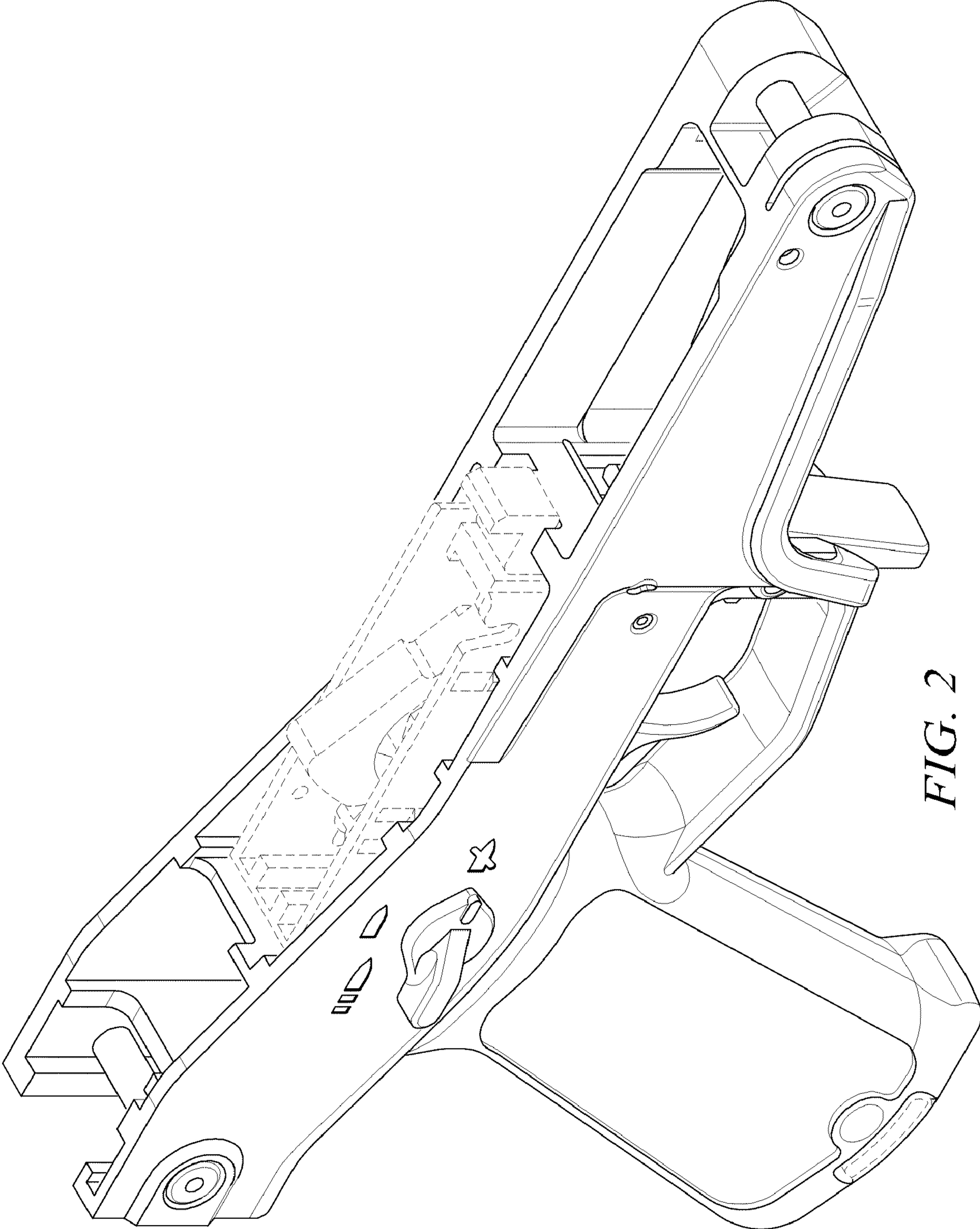


FIG. 2

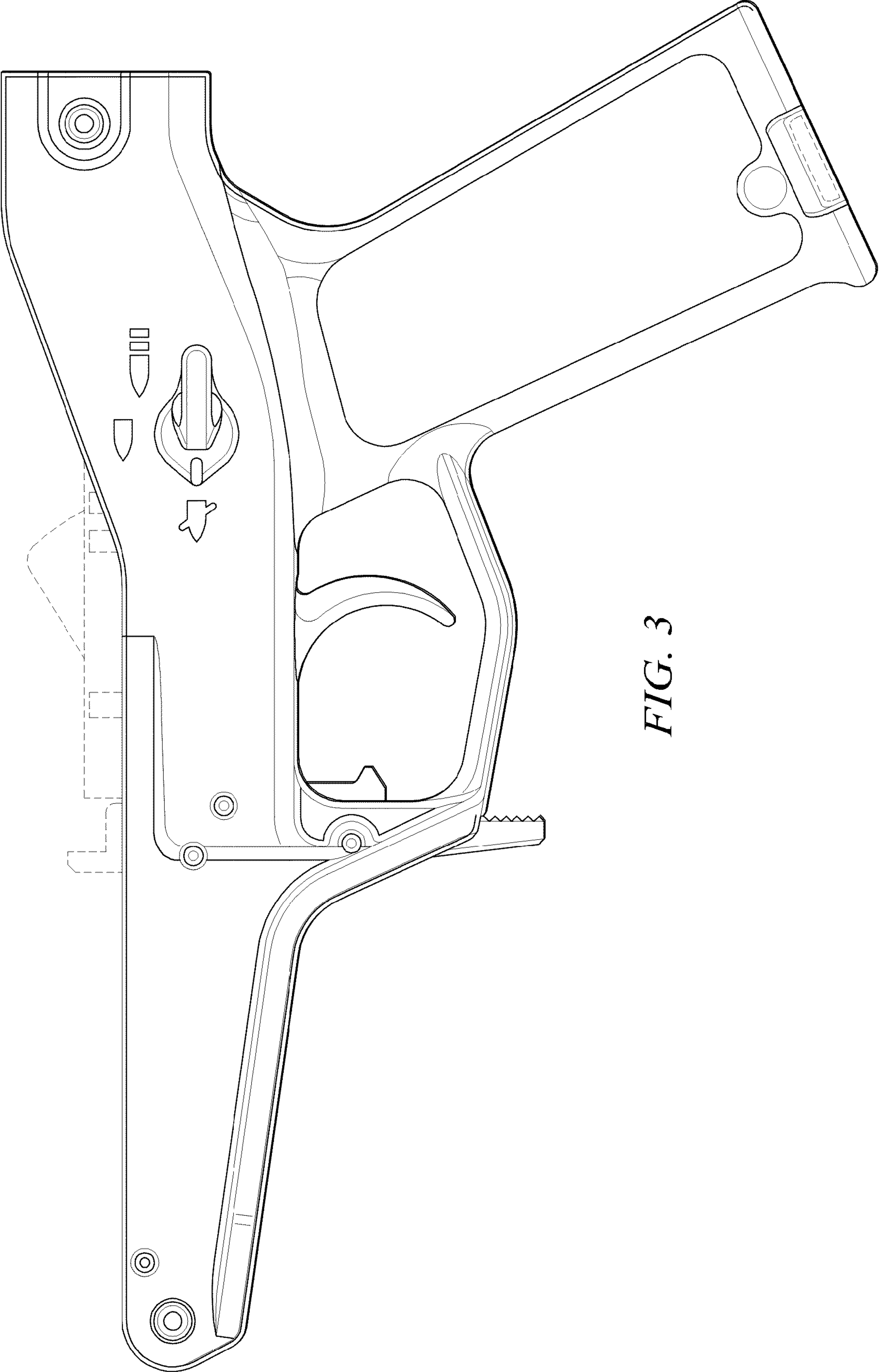


FIG. 3

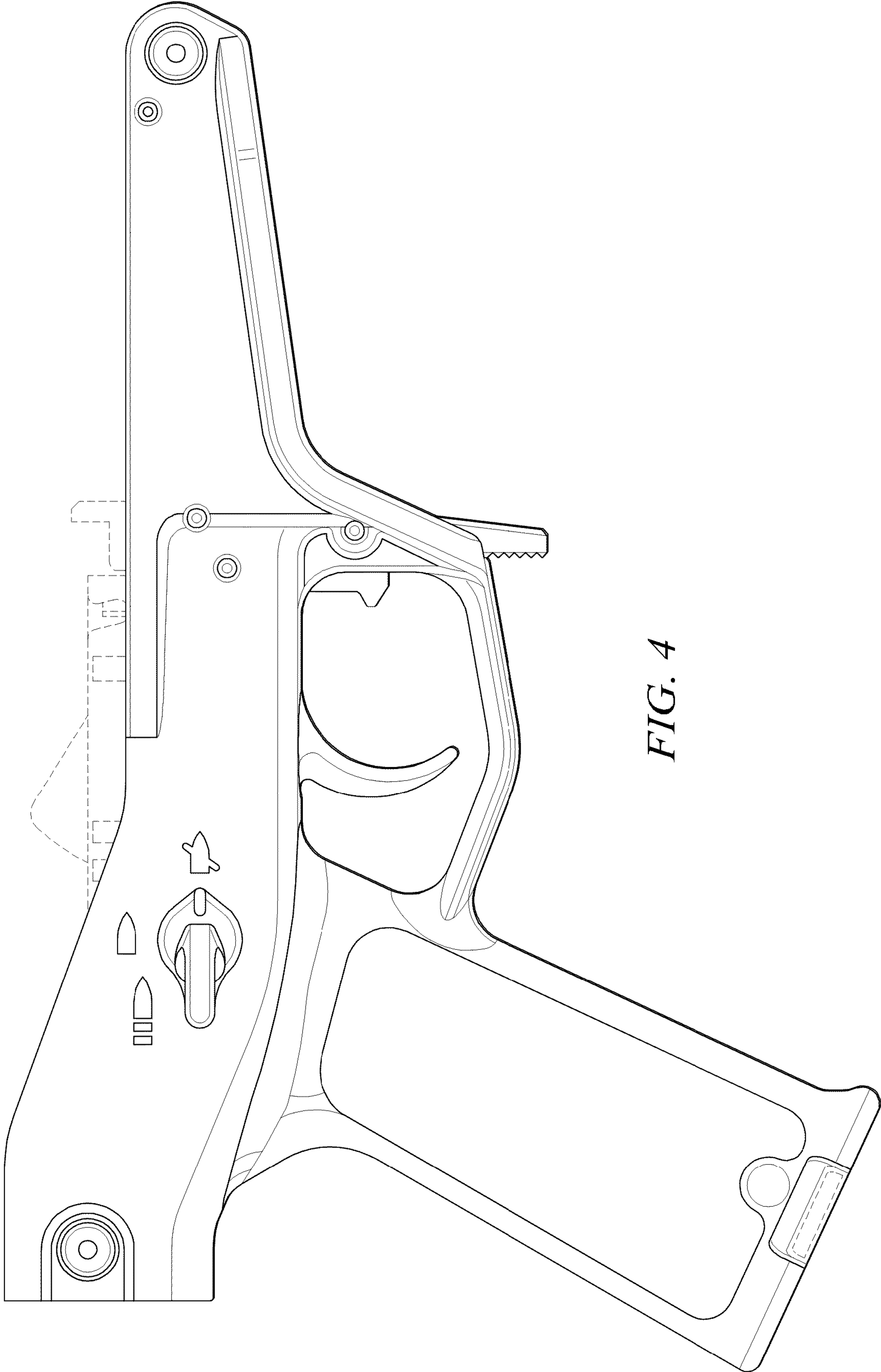


FIG. 4

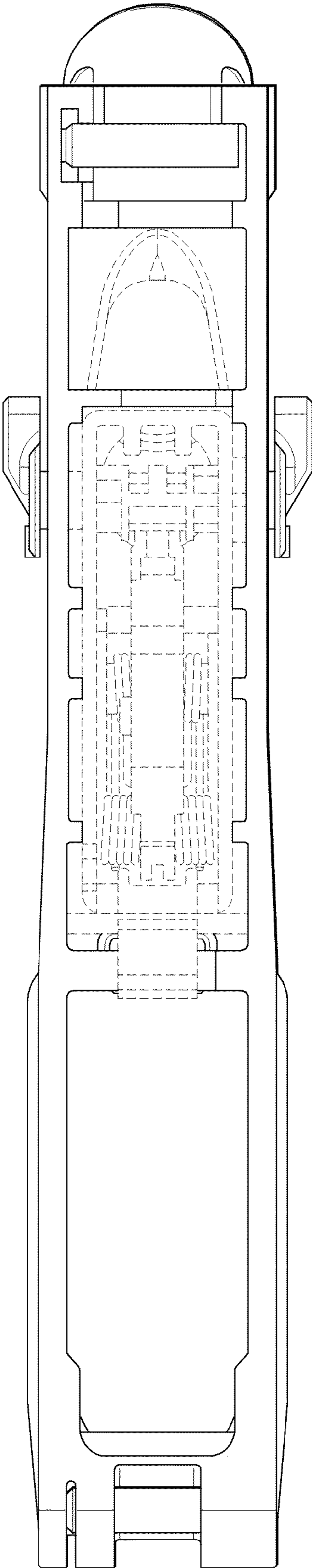


FIG. 5

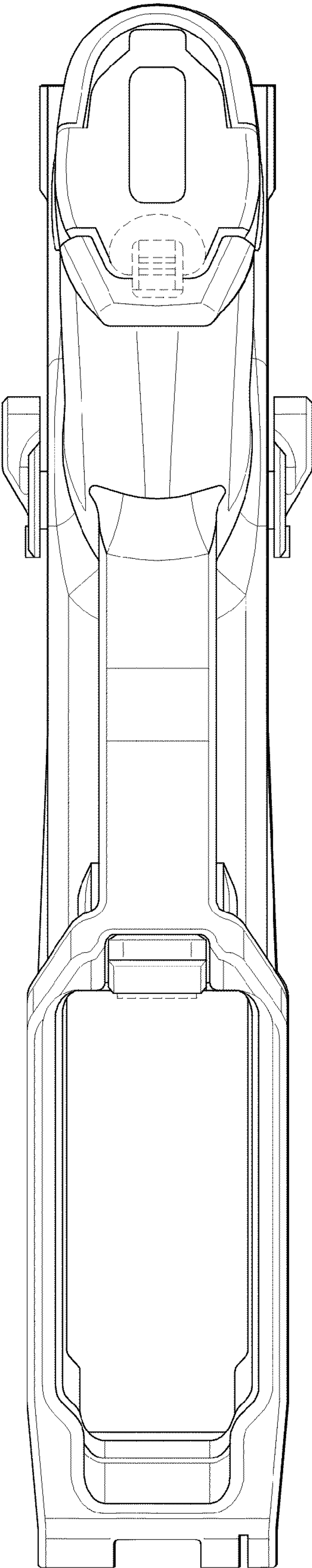


FIG. 6

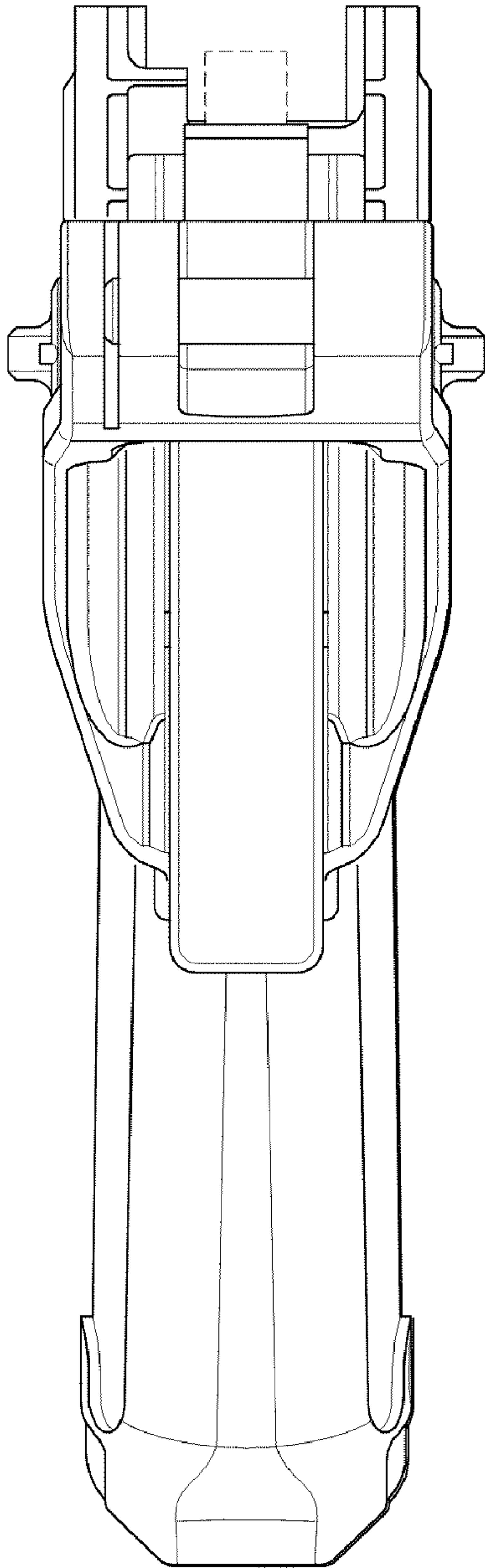


FIG. 7

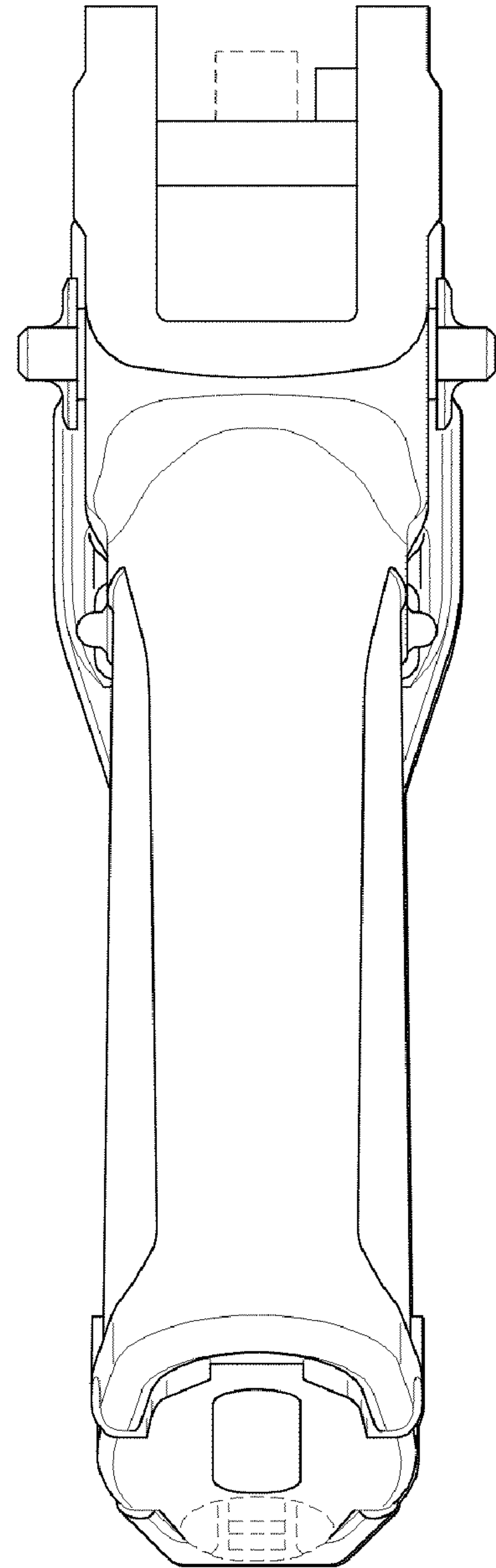


FIG. 8