



US00D603010S

(12) **United States Design Patent**
Boifava

(10) **Patent No.:** **US D603,010 S**

(45) **Date of Patent:** **** Oct. 27, 2009**

(54) **AMUSEMENT RIDE**

D377,074 S * 12/1996 Ford et al. D21/827
5,580,316 A * 12/1996 Hill et al. 472/116
D397,188 S * 8/1998 Bro et al. D21/814

(75) Inventor: **Mario Boifava**, Vicenza (IT)

* cited by examiner

(73) Assignee: **Antonio Zamperla S.p.A.**, Altavilla
Vicentina (VI) (IT)

Primary Examiner—Mitchell I Siegel

(74) *Attorney, Agent, or Firm*—Nixon & Vanderhye P.C.

(**) Term: **14 Years**

(57) **CLAIM**

(21) Appl. No.: **29/309,981**

The ornamental design for an amusement ride, as shown and described.

(22) Filed: **Nov. 25, 2008**

(51) **LOC (9) Cl.** **21-03**

DESCRIPTION

(52) **U.S. Cl.** **D21/831**

FIG. 1 is a front perspective view of an amusement ride according to my design;

(58) **Field of Classification Search** D21/508,
D21/511, 811, 814, 826–833; 482/35–36;
472/130–131

FIG. 2 is a front view thereof;

FIG. 3 is a rear view thereof;

See application file for complete search history.

FIG. 4 is a left side view thereof;

FIG. 5 is a right side view thereof;

(56) **References Cited**

U.S. PATENT DOCUMENTS

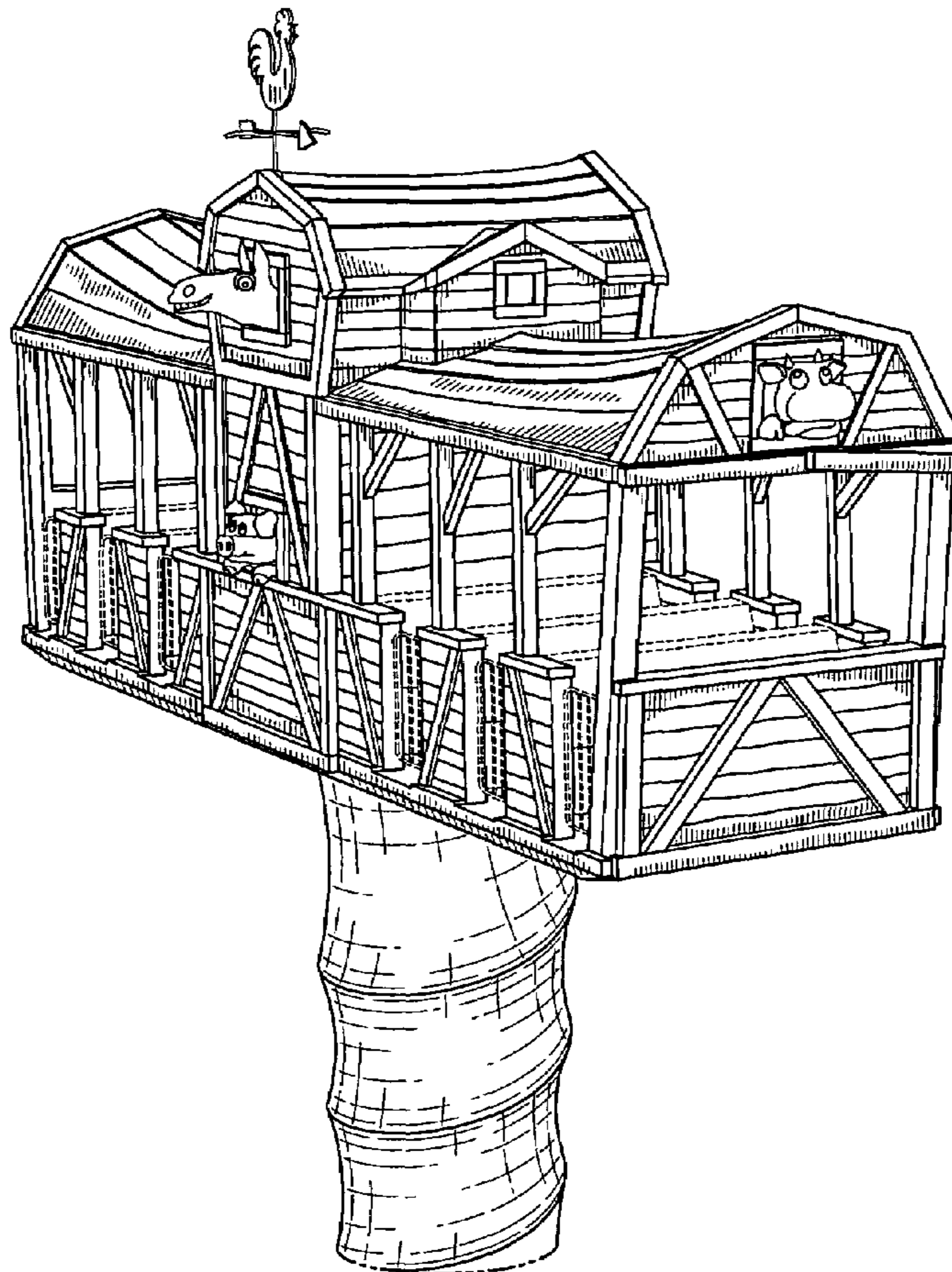
D204,282 S * 4/1966 Morgan D21/833
D219,826 S * 2/1971 Wormser D21/826
D260,108 S * 8/1981 Ament et al. D21/827
D358,620 S * 5/1995 Hill et al. D21/511
D361,817 S * 8/1995 Boifava D21/833
D366,923 S * 2/1996 Boifava D21/833

FIG. 6 is a top view thereof; and,

FIG. 7 is a bottom view thereof.

Where included, broken lines represent environmental structure and do not form a part of the claimed design.

1 Claim, 5 Drawing Sheets



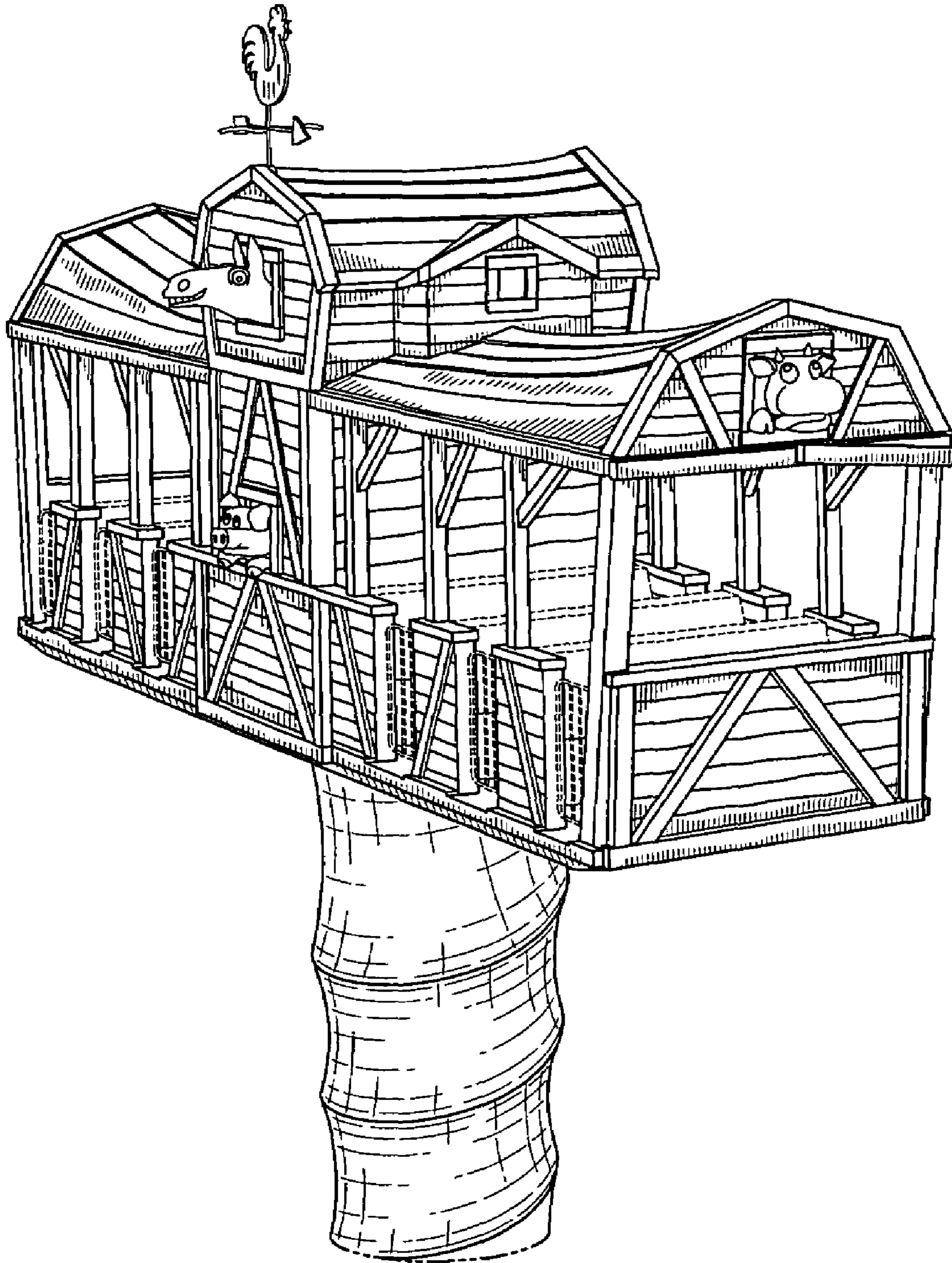


FIG-1

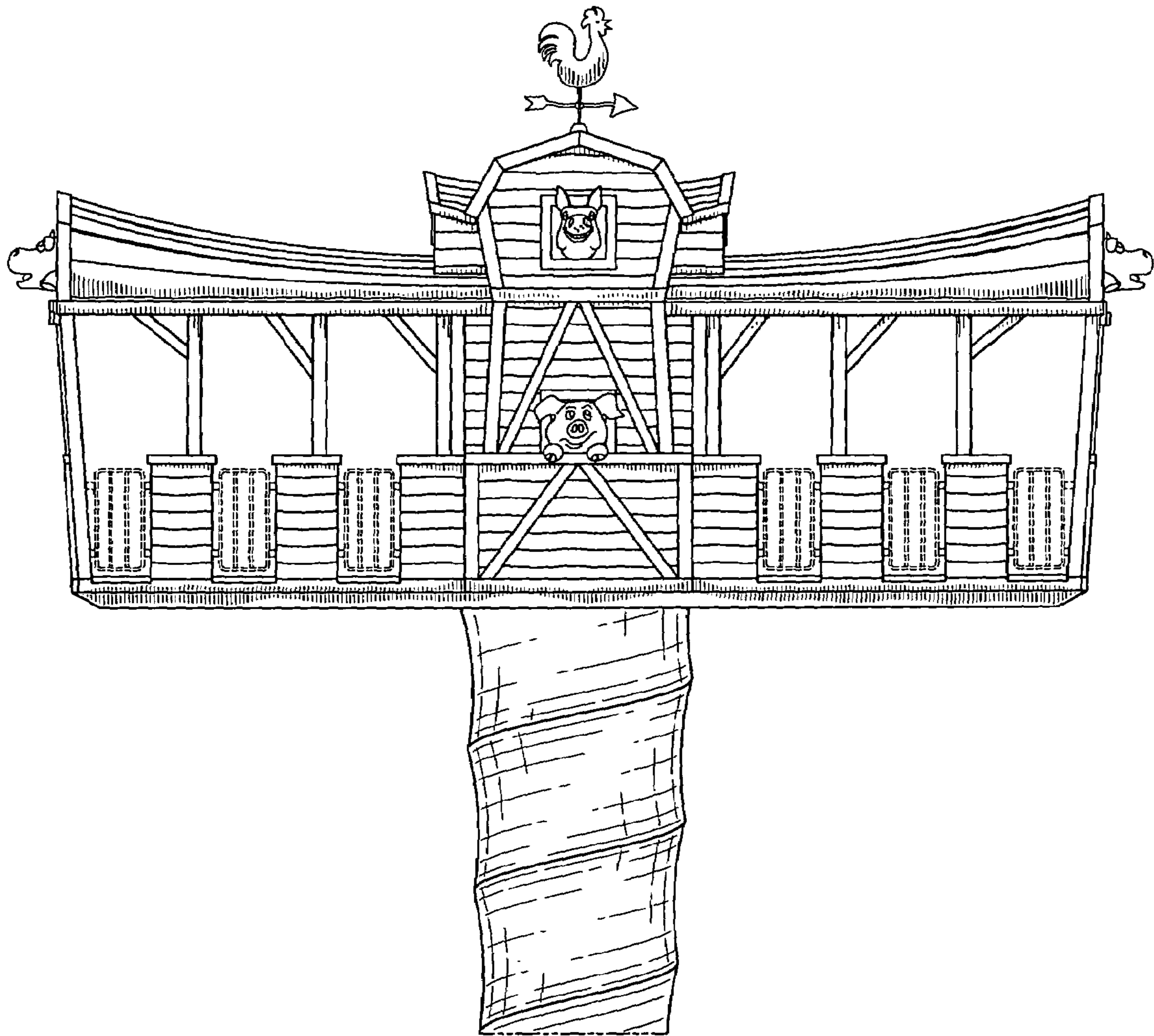


FIG-2

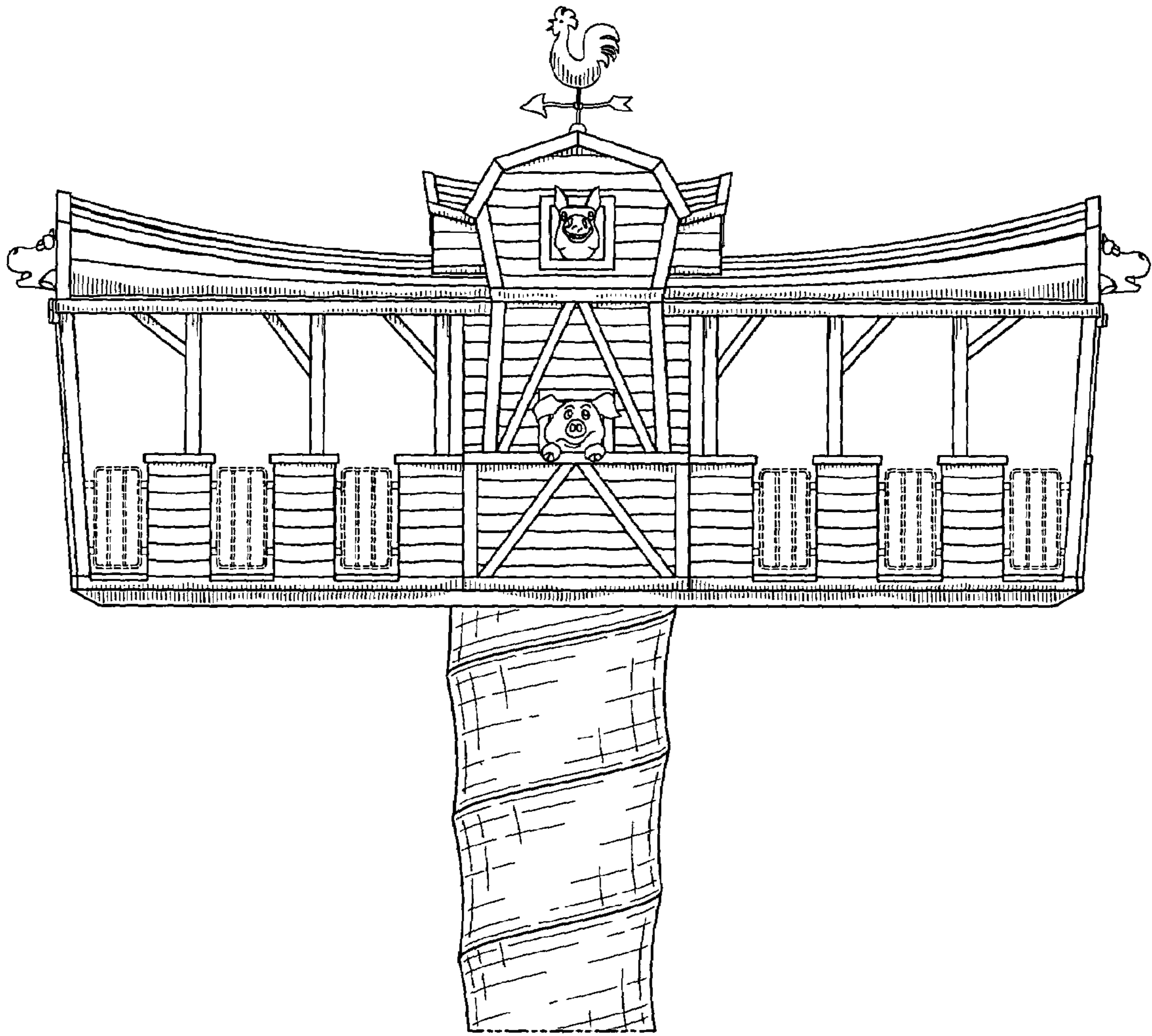


FIG-3

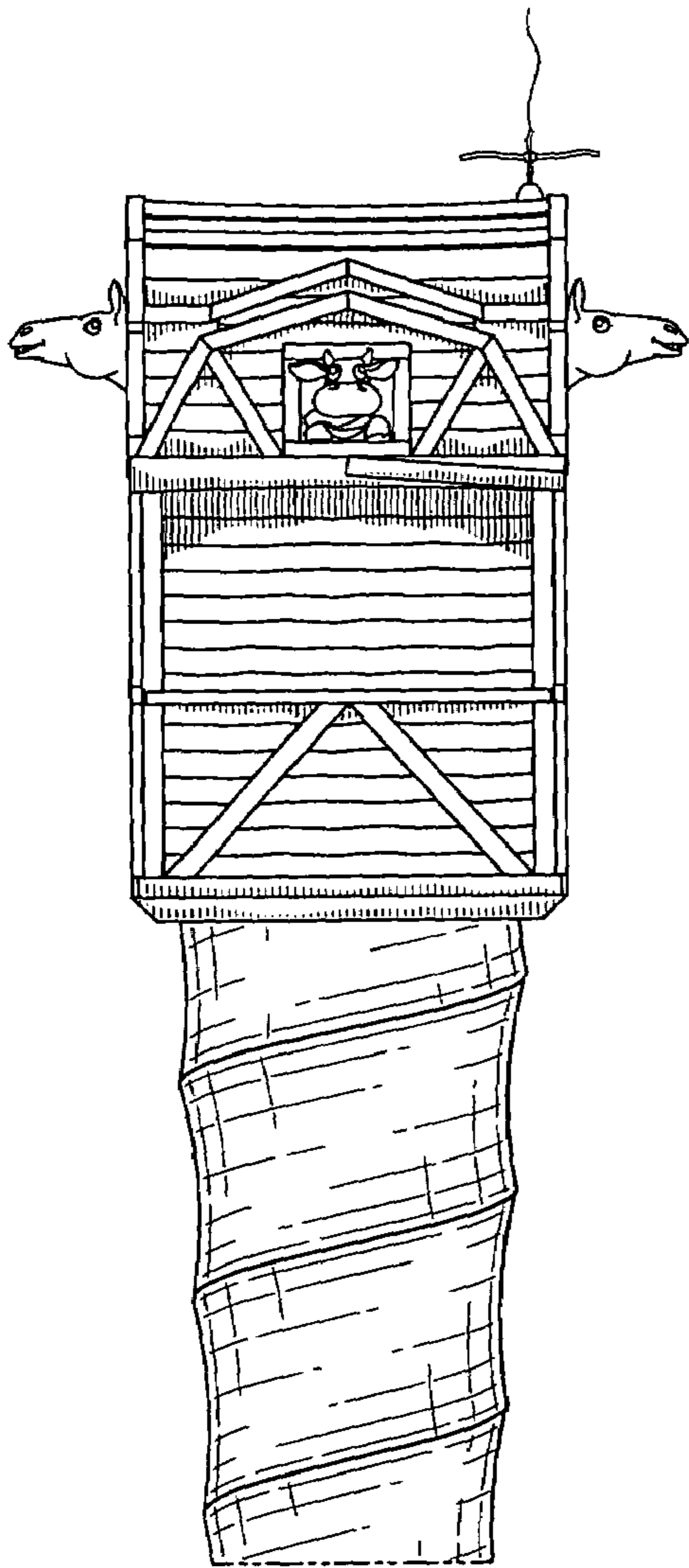


FIG-4

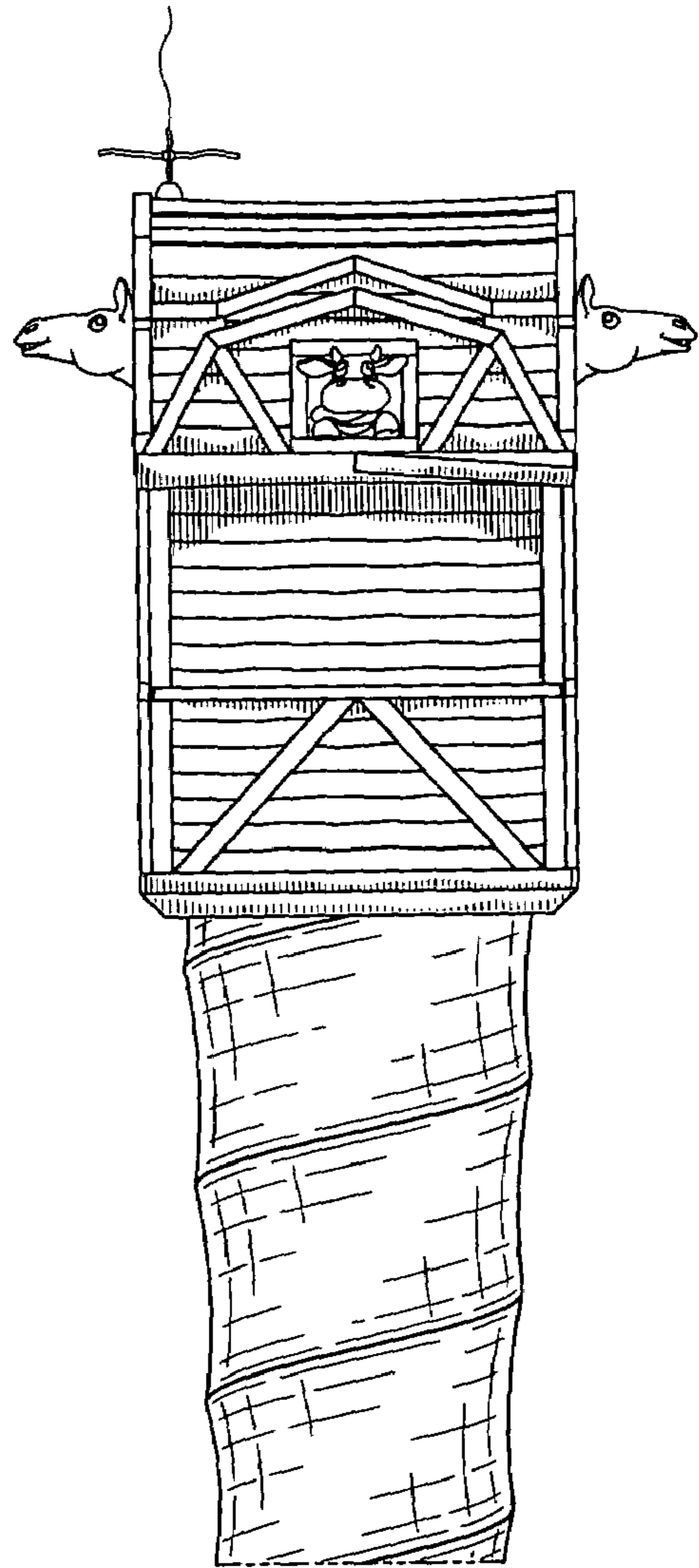


FIG-5

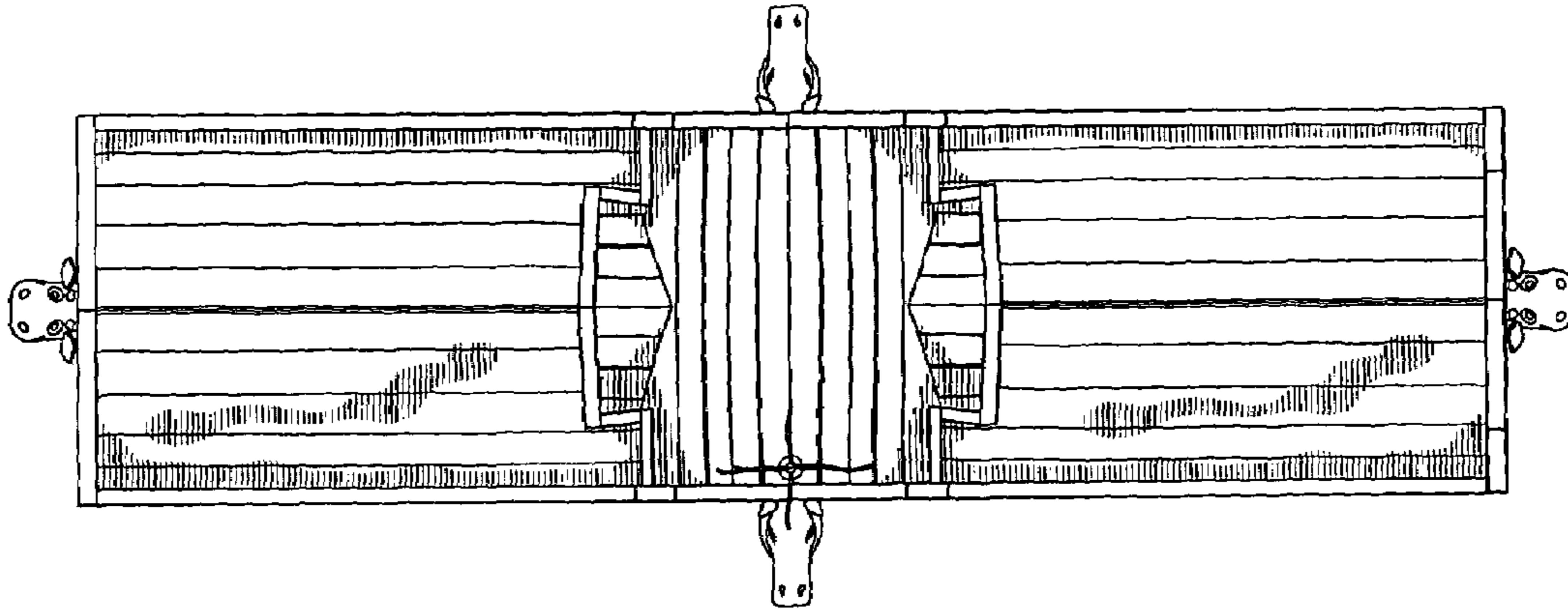


FIG-6

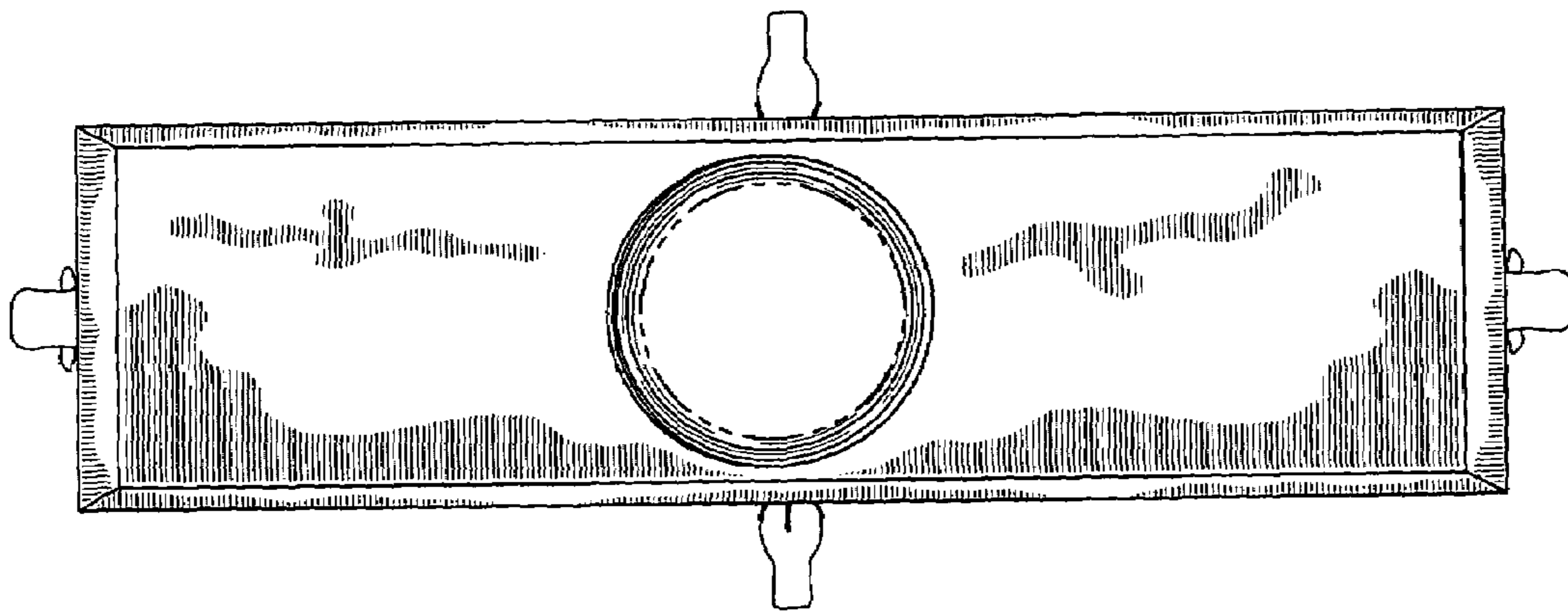


FIG-7