



US00D603009S

(12) **United States Design Patent**  
**Bezilla et al.**

(10) **Patent No.:** **US D603,009 S**  
(45) **Date of Patent:** **\*\* Oct. 27, 2009**

(54) **GOLF CLUB HEAD**

(75) Inventors: **Stephanie L. Bezilla**, Carlsbad, CA (US); **Christopher R. Cooper**, Orange, CA (US); **Jimmy H. Kuan**, West Covina, CA (US); **Adam K. Sheldon**, Long Beach, CA (US)

(73) Assignee: **Roger Cleveland Golf Co., Inc.**, Huntington Beach, CA (US)

(\*\*) Term: **14 Years**

(21) Appl. No.: **29/340,637**

(22) Filed: **Jul. 22, 2009**

**Related U.S. Application Data**

(63) Continuation-in-part of application No. 29/327,605, filed on Nov. 10, 2008, which is a continuation-in-part of application No. 29/287,604, filed on Aug. 28, 2007, now abandoned.

(51) **LOC (9) Cl.** ..... **21-02**

(52) **U.S. Cl.** ..... **D21/759**

(58) **Field of Classification Search** ..... D21/736-746;  
473/324-331, 340-341, 251-256  
See application file for complete search history.

(56) **References Cited**

**U.S. PATENT DOCUMENTS**

1,540,550	A	7/1925	East
4,508,349	A	4/1985	Gebauer et al.
5,358,249	A	10/1994	Mendralla
5,688,186	A	11/1997	Michaels et al.
5,709,617	A	1/1998	Nishimura et al.
6,224,497	B1	5/2001	Antonious
D447,527	S	9/2001	Hocknell et al.

D447,528	S	9/2001	McCabe
6,322,459	B1	11/2001	Nishimura et al.
6,348,010	B1	2/2002	Doolen
6,402,639	B1	6/2002	Iwata et al.
6,443,856	B1	9/2002	Galloway et al.
6,719,644	B2	4/2004	Beach

**FOREIGN PATENT DOCUMENTS**

JP	A-02-228981	9/1990
JP	A-09-253250	9/1997
JP	A-09-308715	12/1997
JP	A-2001-178856	7/2001
JP	A-2002-153575	5/2002
JP	A-2002-253709	9/2002

\* cited by examiner

*Primary Examiner*—Mitchell I Siegel

(74) *Attorney, Agent, or Firm*—Oliff & Berridge, PLC

(57) **CLAIM**

The ornamental design for a golf club head, as shown and described.

**DESCRIPTION**

FIG. 1 is a front elevational view of a golf club head;

FIG. 2 is an enlarged partial front view of the golf club head of FIG. 1;

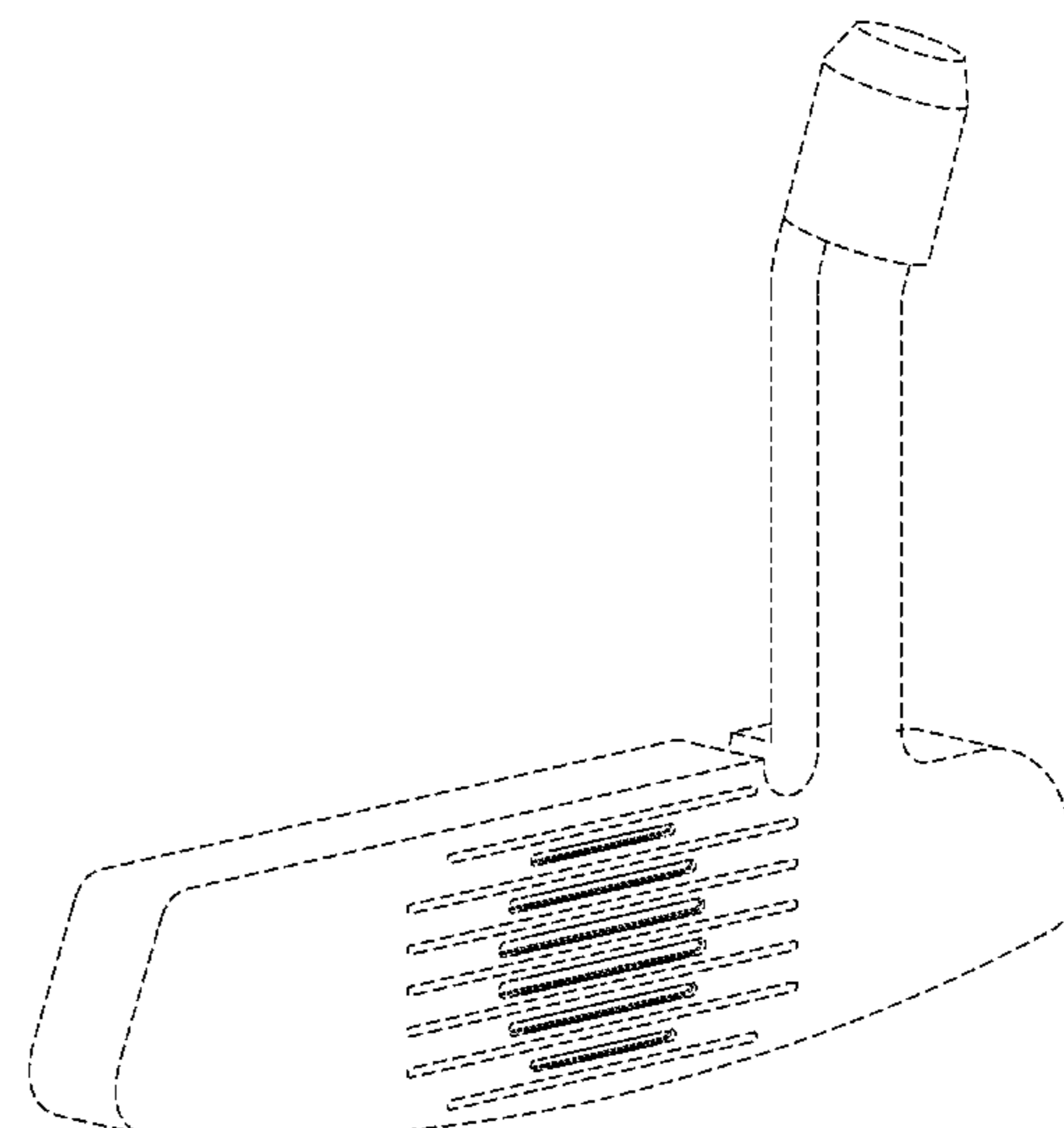
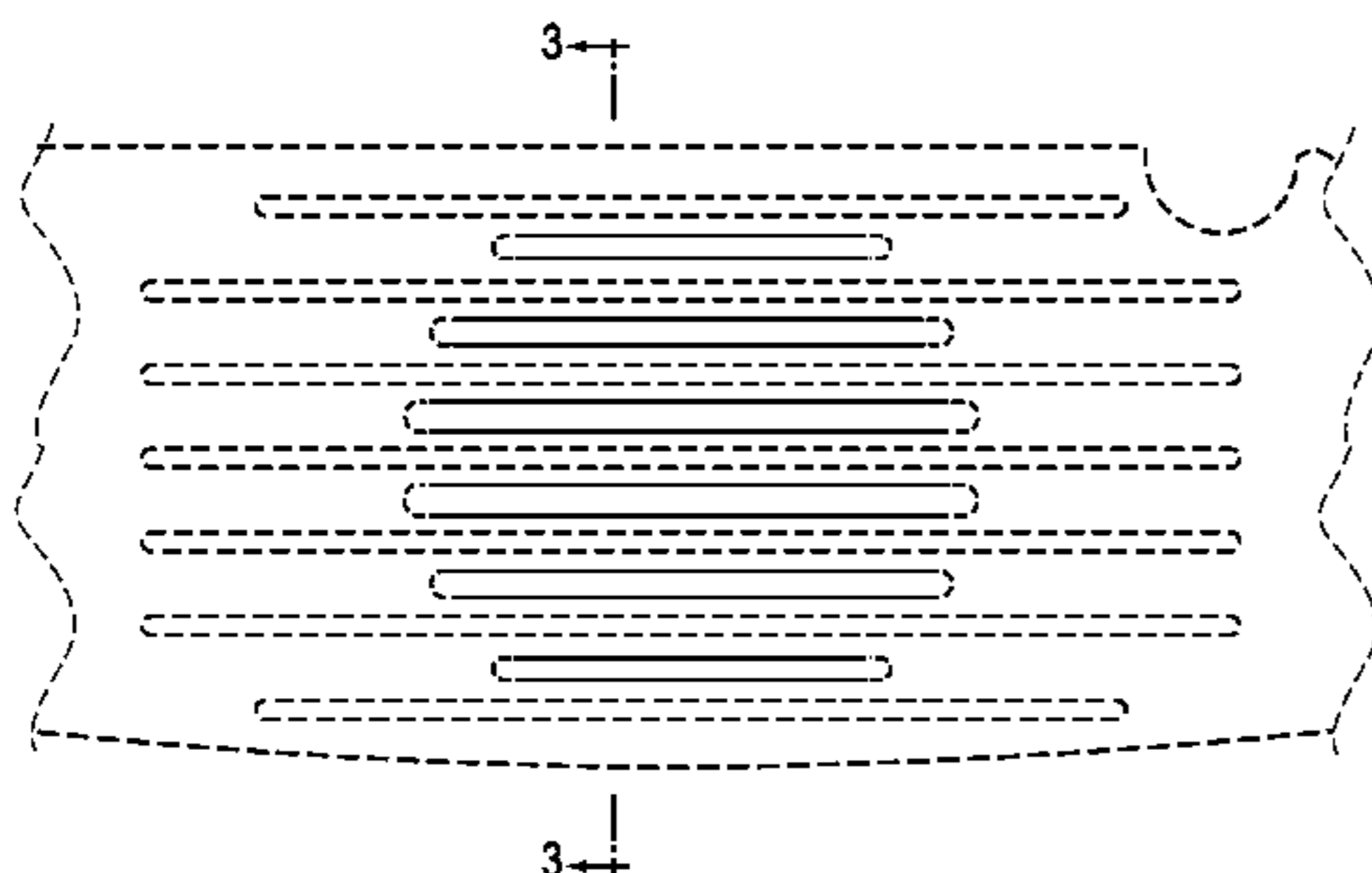
FIG. 3 is a partial cross-sectional view thereof taken along the line 3—3 of FIGS. 1 and 2;

FIG. 4 is a perspective view thereof; and,

FIG. 5 is an enlarged partial perspective view of the golf club head of FIG. 4.

The broken lines showing various portions of the golf club head and scoreline pattern depict environmental subject matter only and form no part of the claimed design.

**1 Claim, 5 Drawing Sheets**



# US D603,009 S

Page 2

## U.S. PATENT DOCUMENTS

6,814,673	B2	11/2004	Wahl et al.						
6,981,923	B2	1/2006	Chappell						
7,018,303	B2	3/2006	Yamamoto						
7,056,226	B2	6/2006	Kennedy						
D524,391	S	7/2006	Hasebe						
7,156,751	B2	1/2007	Wahl et al.						
7,179,175	B2	2/2007	Kennedy, III						
D538,870	S *	3/2007	Chick et al. ....	D21/759					
D544,562	S *	6/2007	Park et al. ....	D21/759					
D544,935	S *	6/2007	Chick et al. ....	D21/759					
D545,390	S *	6/2007	Kuan .....	D21/759					
D545,932	S *	7/2007	Park et al. ....	D21/759					
D551,311	S *	9/2007	Park et al. ....	D21/759					
D551,729	S *	9/2007	Park et al. ....	D21/759					
D551,730	S *	9/2007	Park et al. ....	D21/759					
D554,220	S *	10/2007	Park et al. ....	D21/759					
D568,428	S	5/2008	Hooley						
D569,466	S	5/2008	Hooley						
D572,786	S	7/2008	Ban et al.						
D596,687	S *	7/2009	Bezilla et al. ....	D21/759					
2004/0192465	A1	9/2004	Erb et al.						
2005/0043113	A1	2/2005	Mann, Jr. et al.						
2005/0209020	A1	9/2005	Burrows						
2006/0003851	A1	1/2006	Chappell						
2006/0154739	A1	7/2006	Mann, Jr. et al.						

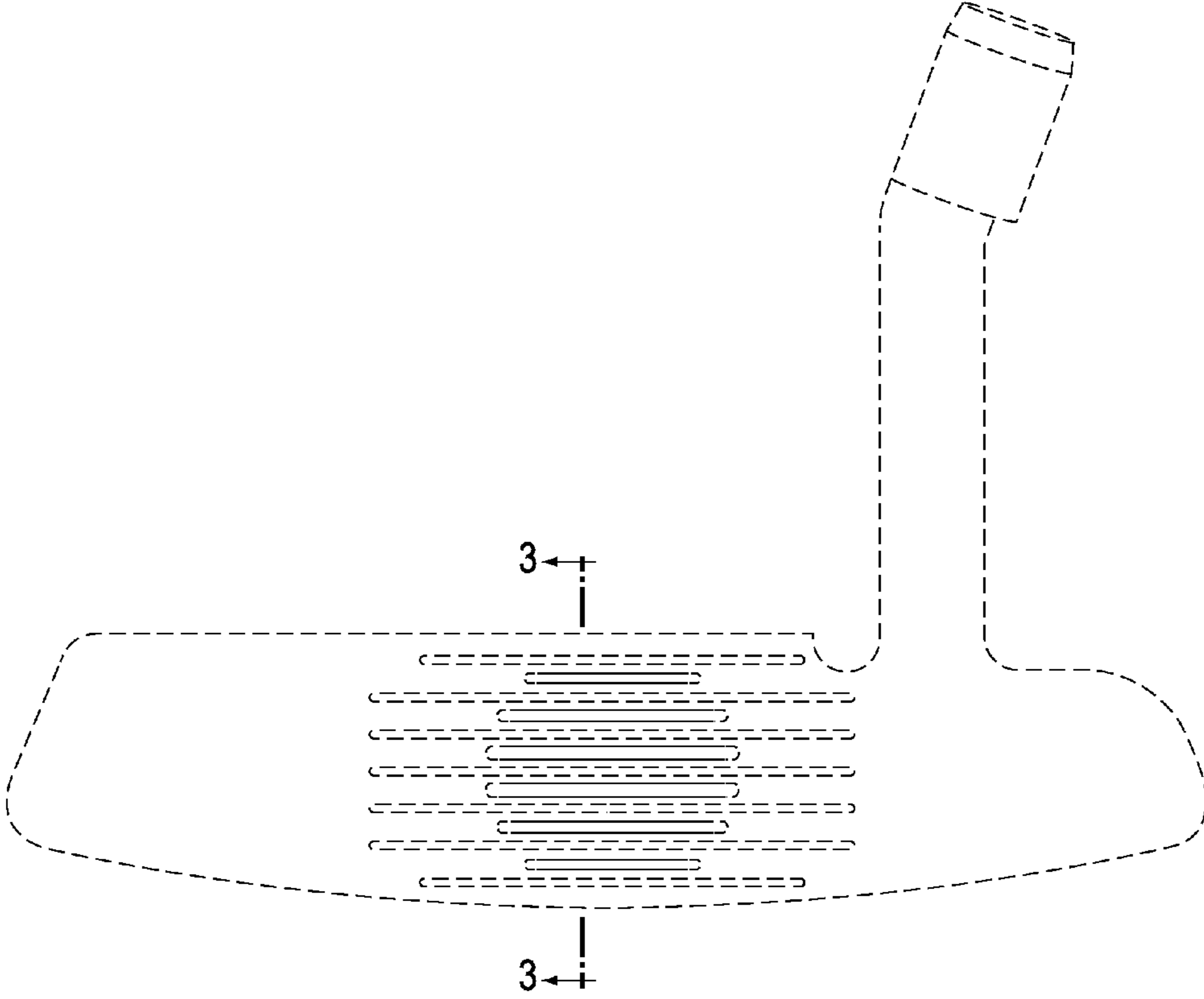


FIG. 1

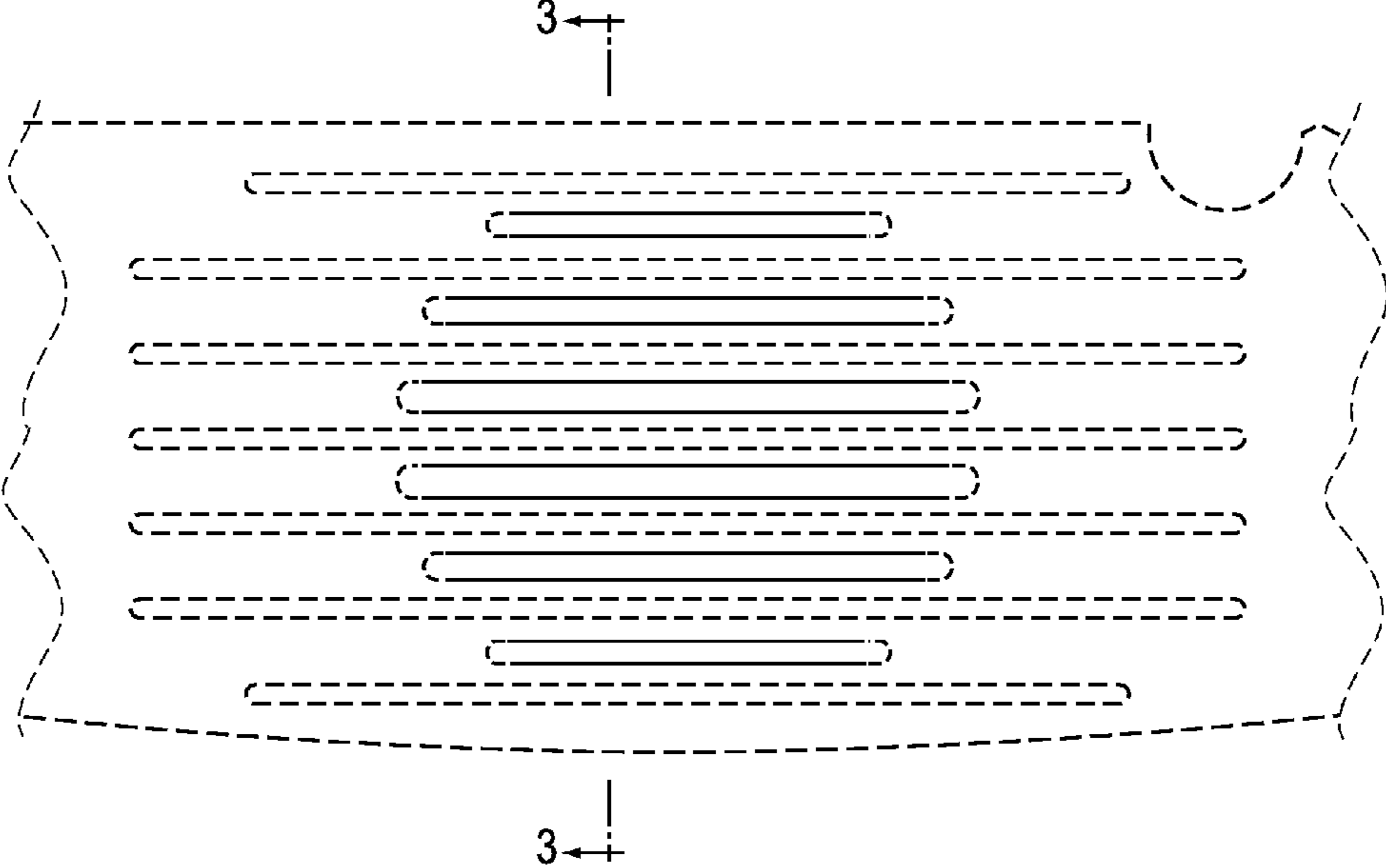


FIG. 2

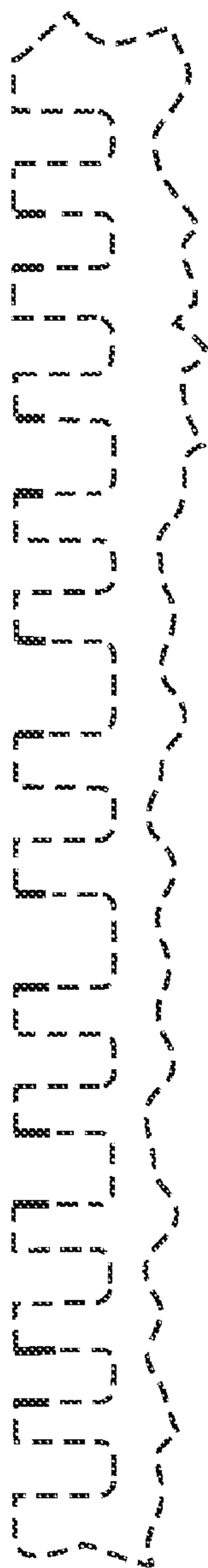


FIG. 3

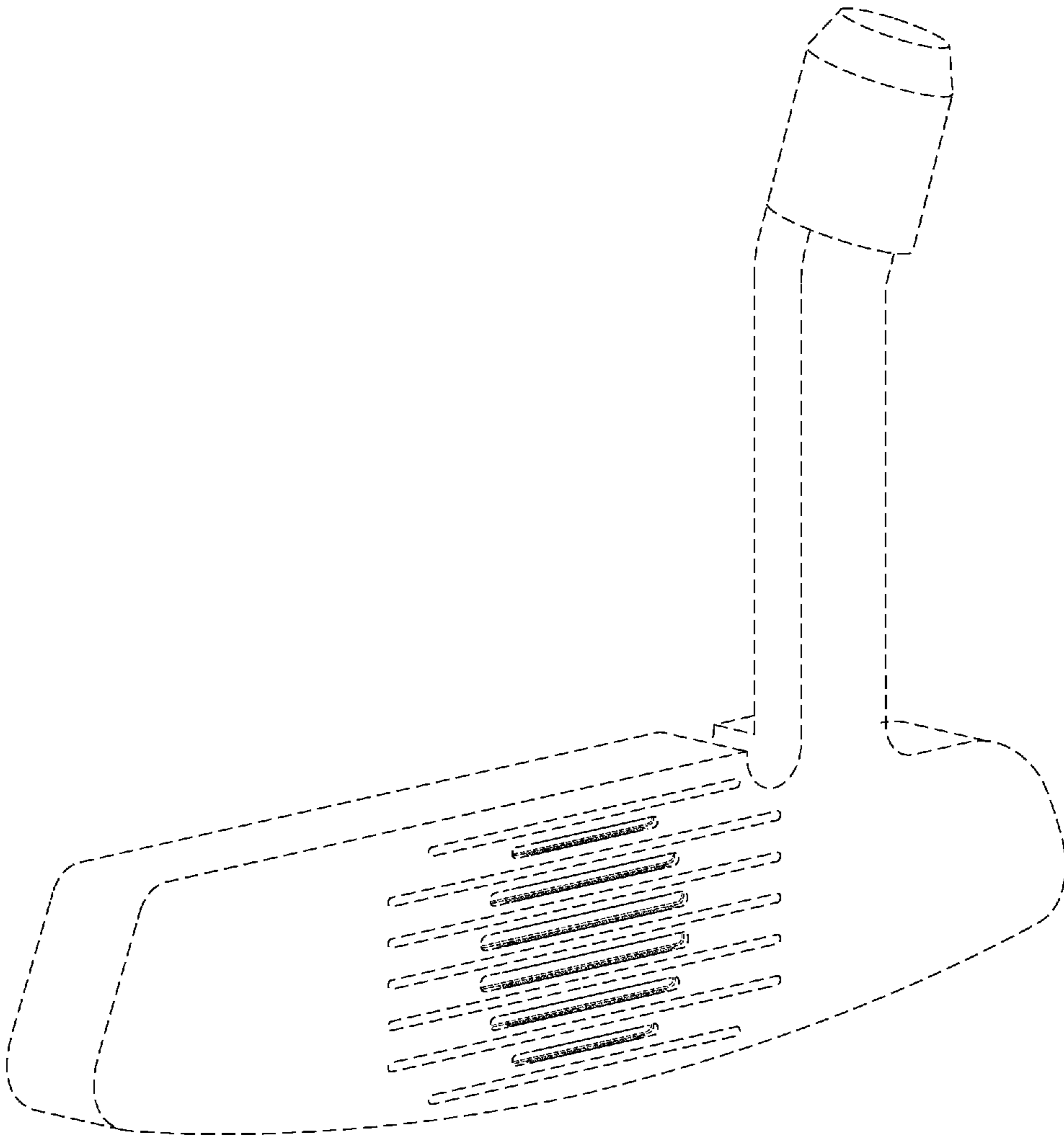


FIG. 4

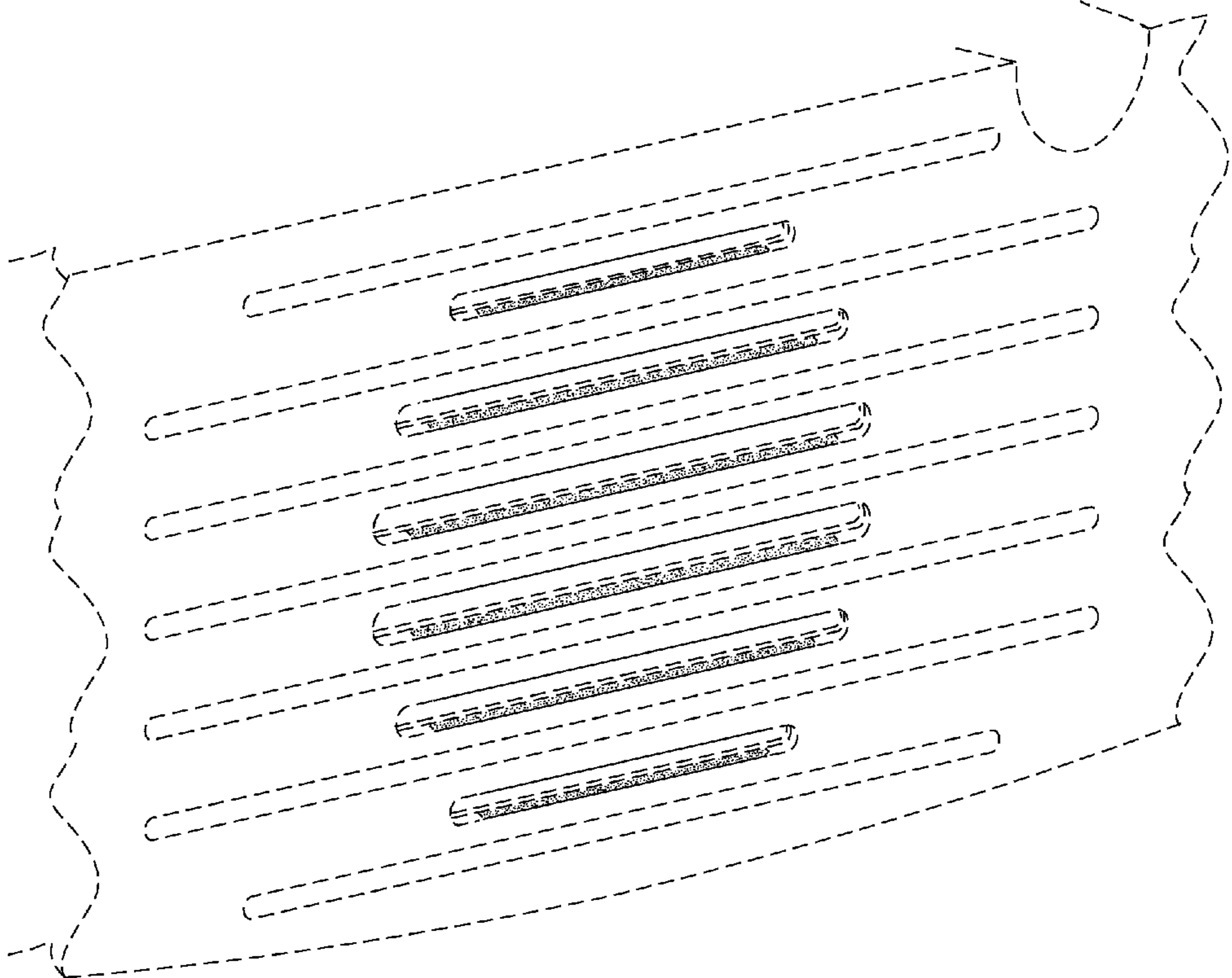


FIG. 5