



US00D603008S

(12) **United States Design Patent**
Donahue

(10) **Patent No.:** **US D603,008 S**

(45) **Date of Patent:** **** Oct. 27, 2009**

(54) **GOLF PUTTER HEAD**

(76) Inventor: **Paul Joseph Donahue**, 79a Dominion
Circuit, Deakin Act (AU) 2600

(**) Term: **14 Years**

(21) Appl. No.: **29/325,088**

(22) Filed: **Sep. 25, 2008**

(51) **LOC (9) Cl.** **21-02**

(52) **U.S. Cl.** **D21/742**

(58) **Field of Classification Search** D21/736-746;
473/324-331, 340-341

See application file for complete search history.

(56) **References Cited**

U.S. PATENT DOCUMENTS

D234,960 S *	4/1975	Swash	D21/739
D234,962 S *	4/1975	Swash	D21/739
D235,668 S *	7/1975	Swash	D21/739
D437,017 S *	1/2001	Ford	D21/744
D499,782 S *	12/2004	Stites et al.	D21/759
D523,102 S *	6/2006	Stites et al.	D21/742
D529,108 S *	9/2006	Stites et al.	D21/736
D533,609 S *	12/2006	Moore et al.	D21/742
D565,139 S *	3/2008	Wilson	D21/743

* cited by examiner

Primary Examiner—Mitchell I Siegel

(74) *Attorney, Agent, or Firm*—Wolf, Greenfield & Sacks,
P.C.

(57) **CLAIM**

The ornamental design for a golf putter head, as shown and
described.

DESCRIPTION

FIG. 1 is a top, rear, right side perspective view of a golf putter
head;

FIG. 2 is a top, front, right side perspective view thereof;

FIG. 3 is a bottom, front, right side perspective view thereof;

FIG. 4 is a bottom, front, left side perspective view thereof;

FIG. 5 is a top, left side perspective view thereof;

FIG. 6 is a bottom, right side perspective view thereof;

FIG. 7 is a top plan view thereof;

FIG. 8 is a left side view thereof;

FIG. 9 is a front view thereof;

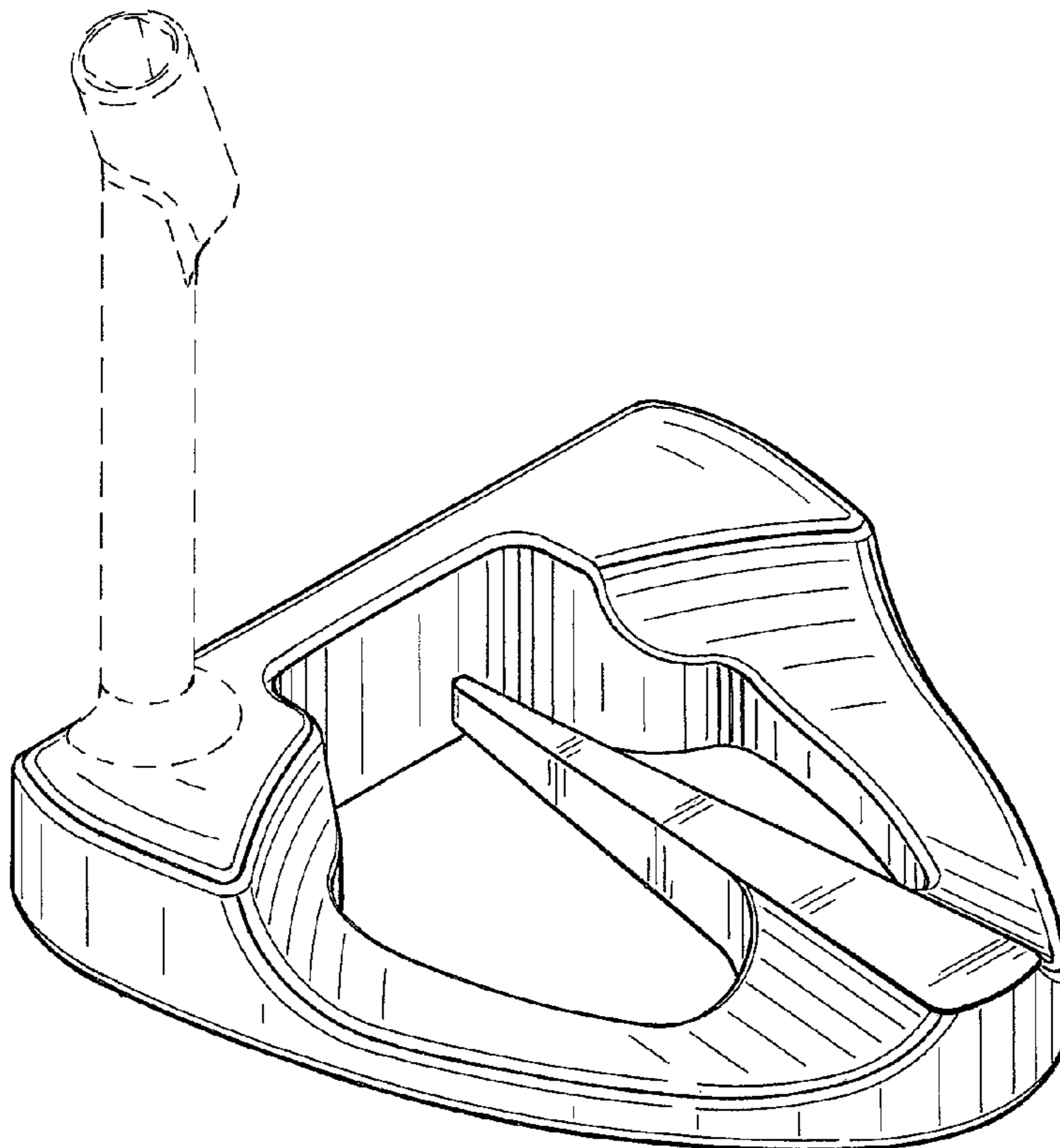
FIG. 10 is a right side view thereof;

FIG. 11 is a rear view thereof; and,

FIG. 12 is a bottom plan view thereof.

The broken lines are for illustrative purposes only and form
no part of the claimed design.

1 Claim, 6 Drawing Sheets



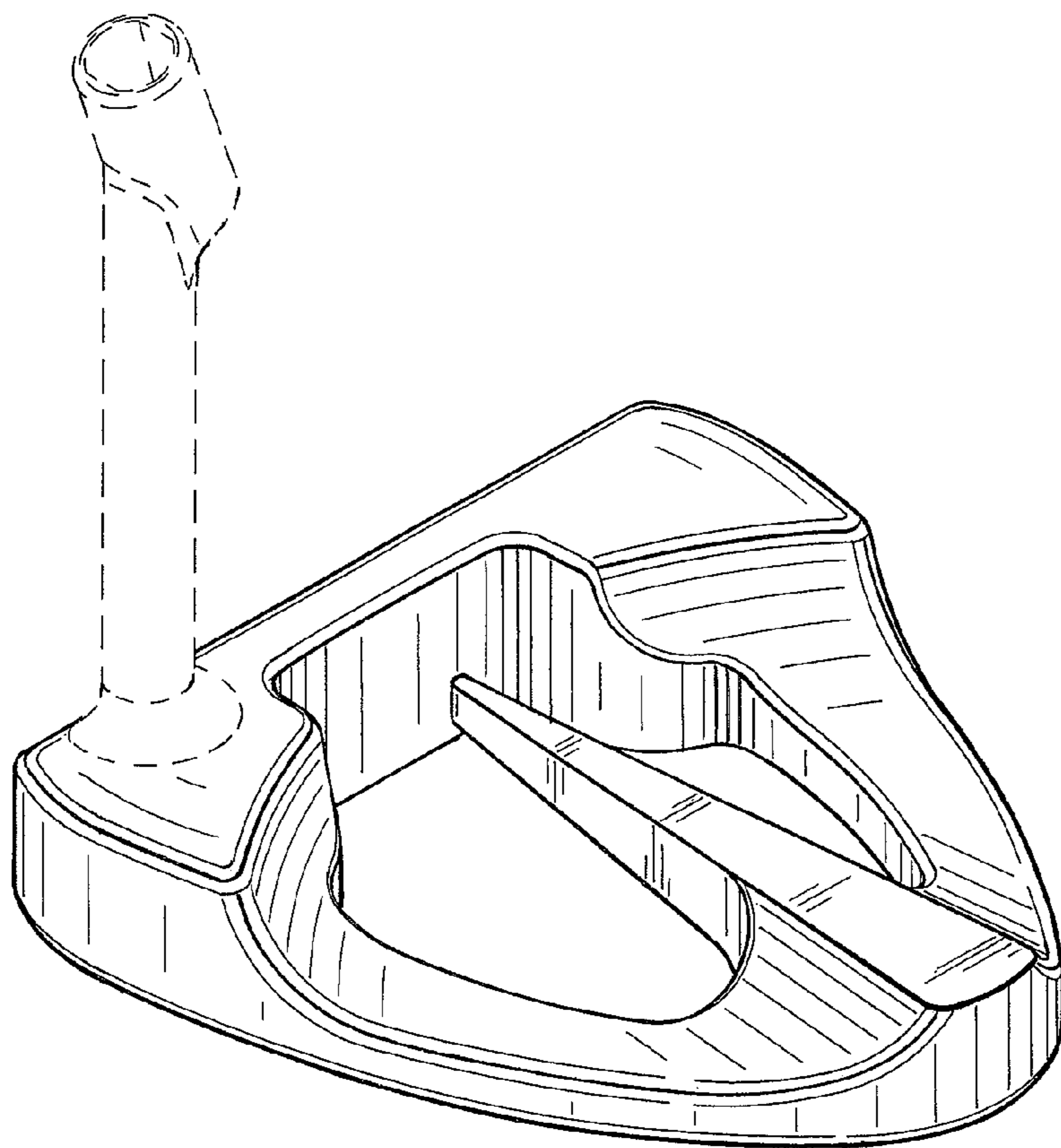


Fig. 1

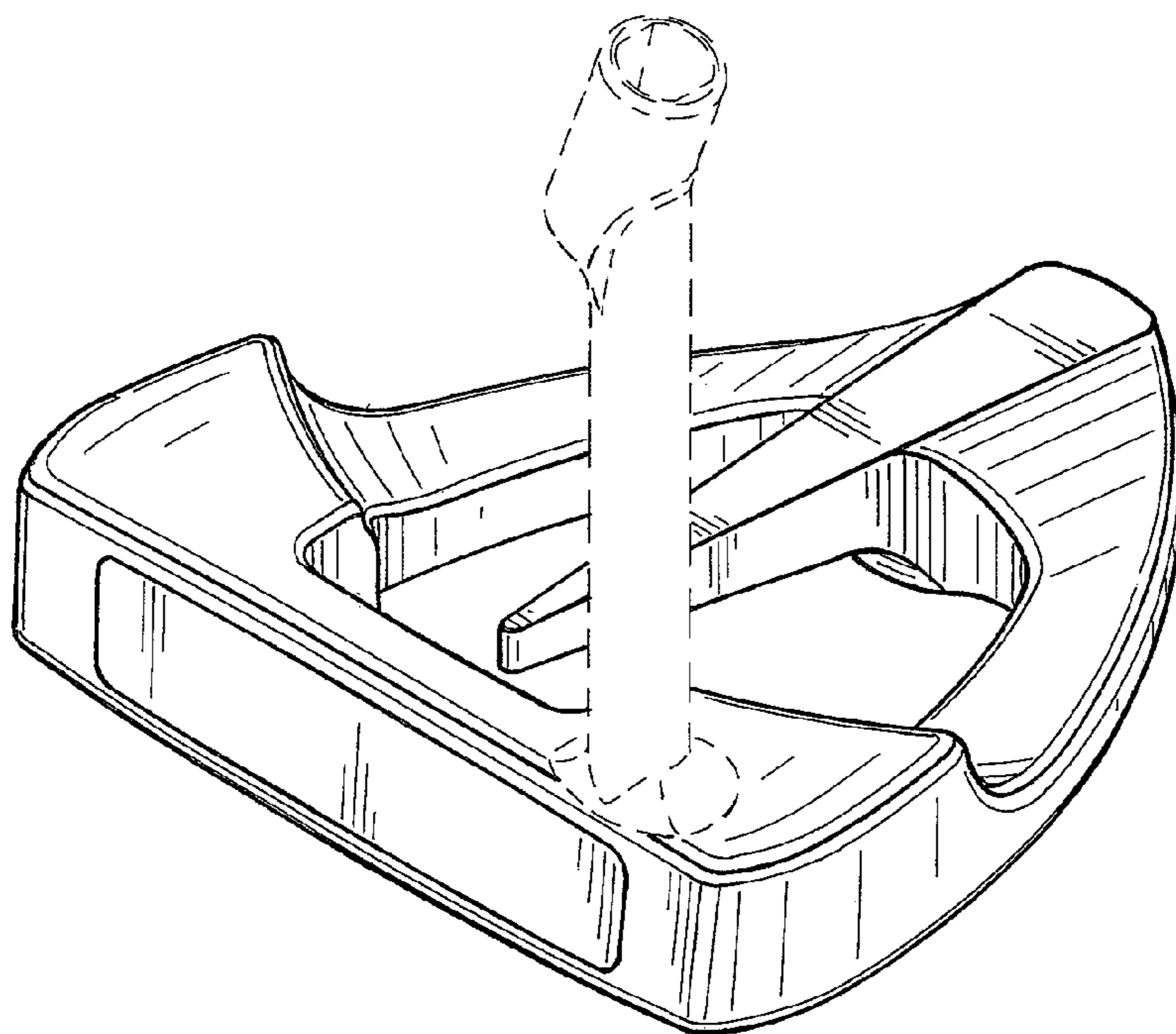


Fig. 2

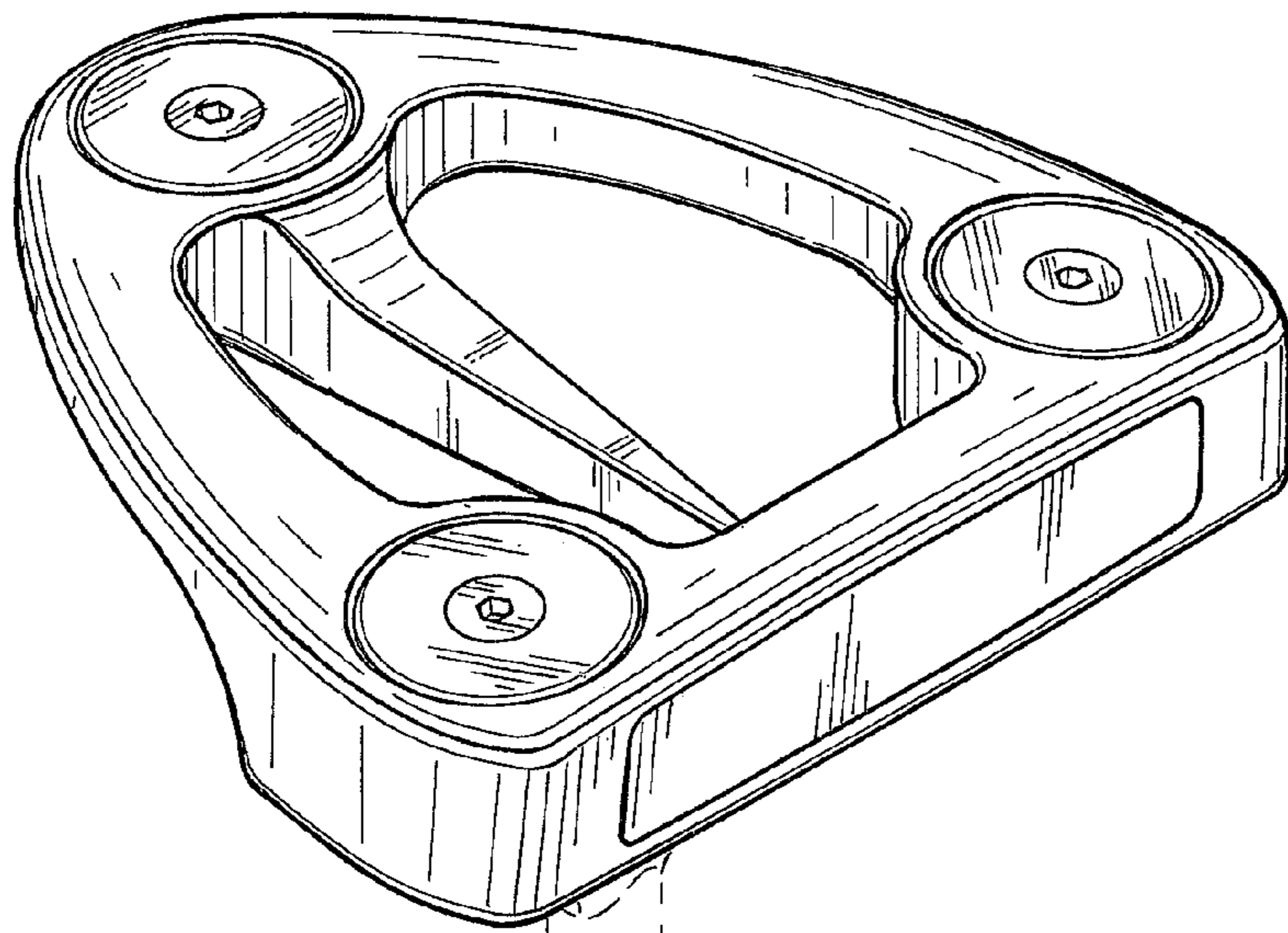


Fig. 3

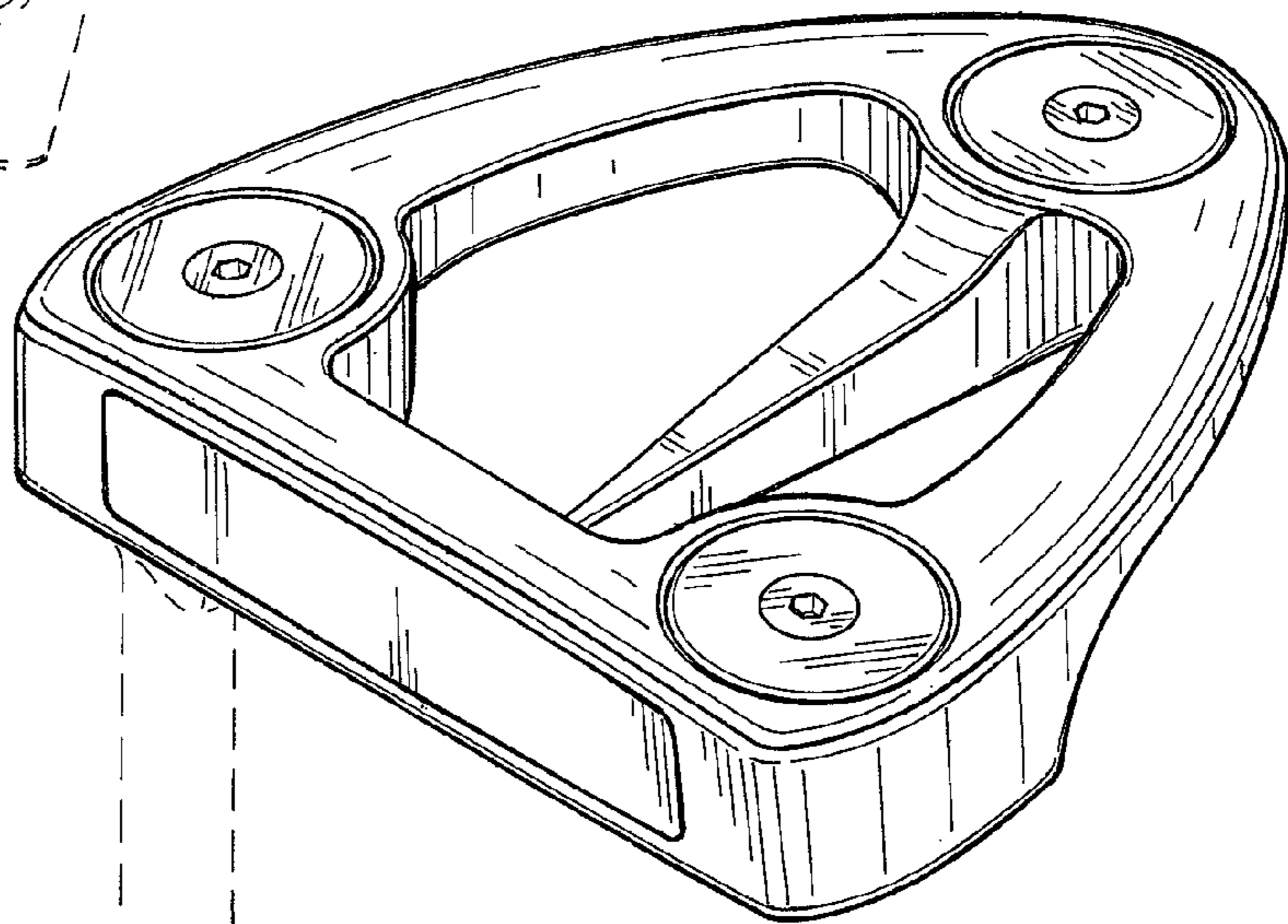
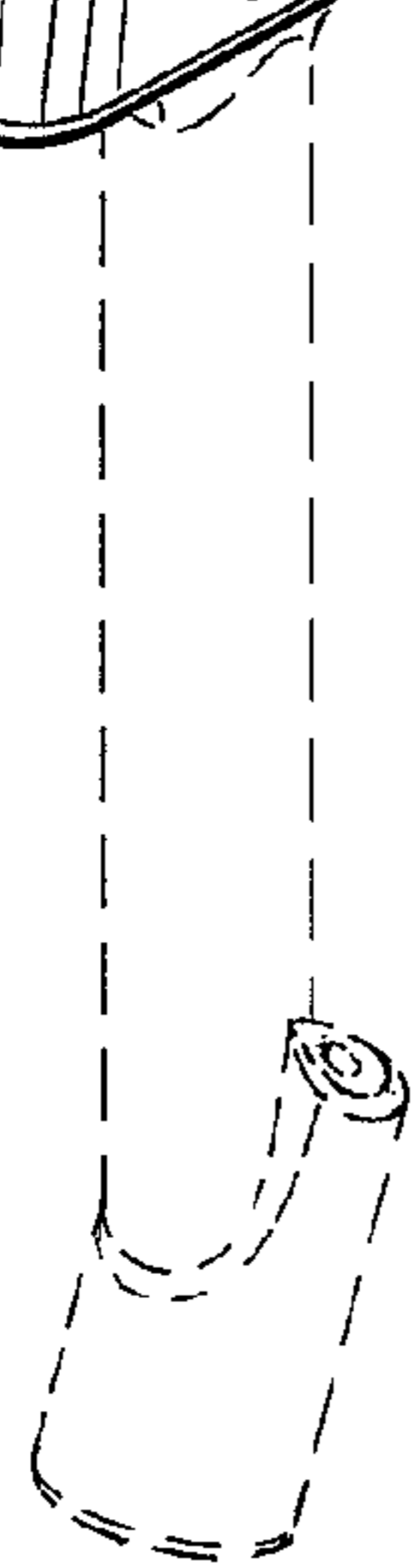


Fig. 4



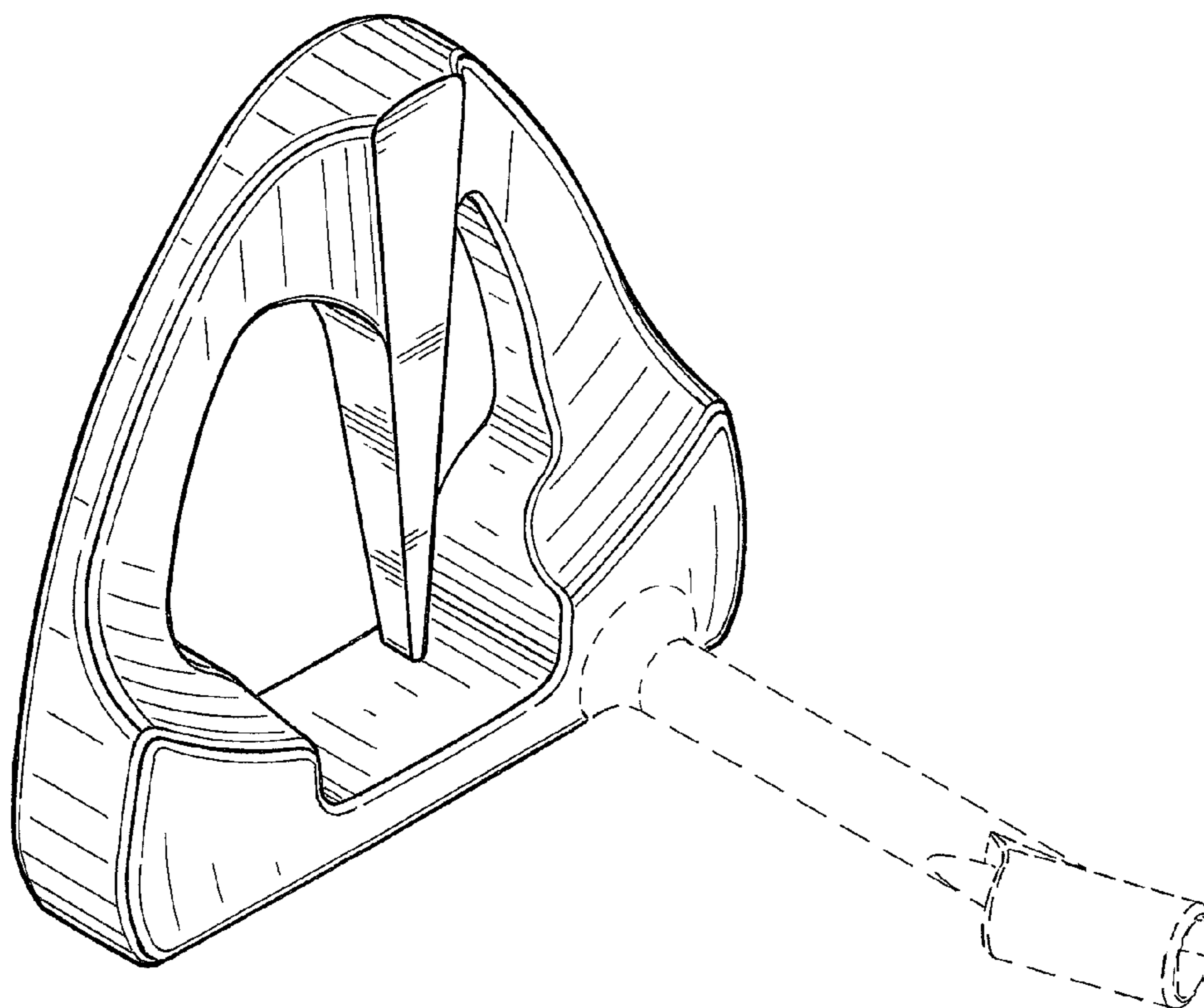


Fig. 5

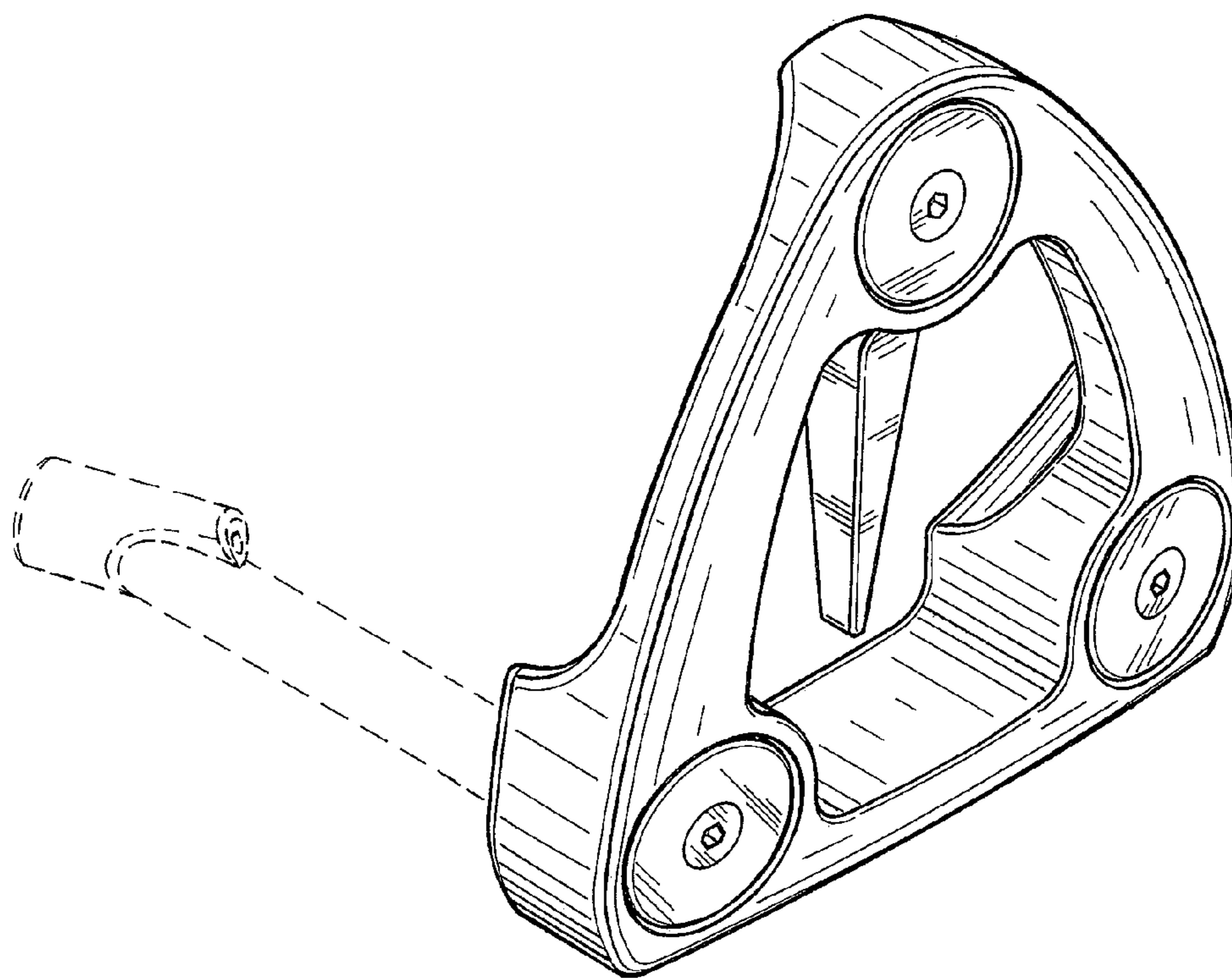


Fig. 6

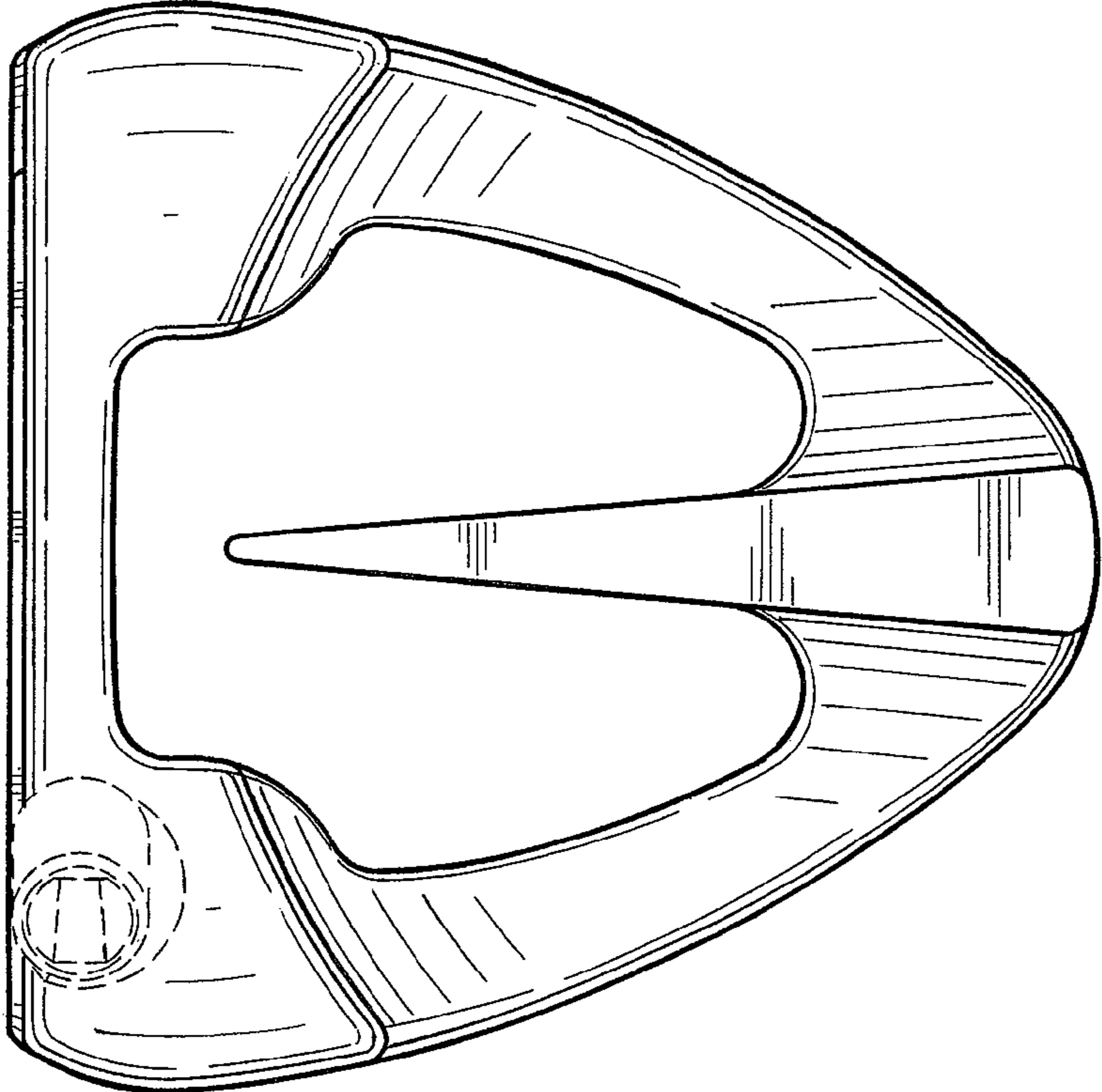


Fig. 7

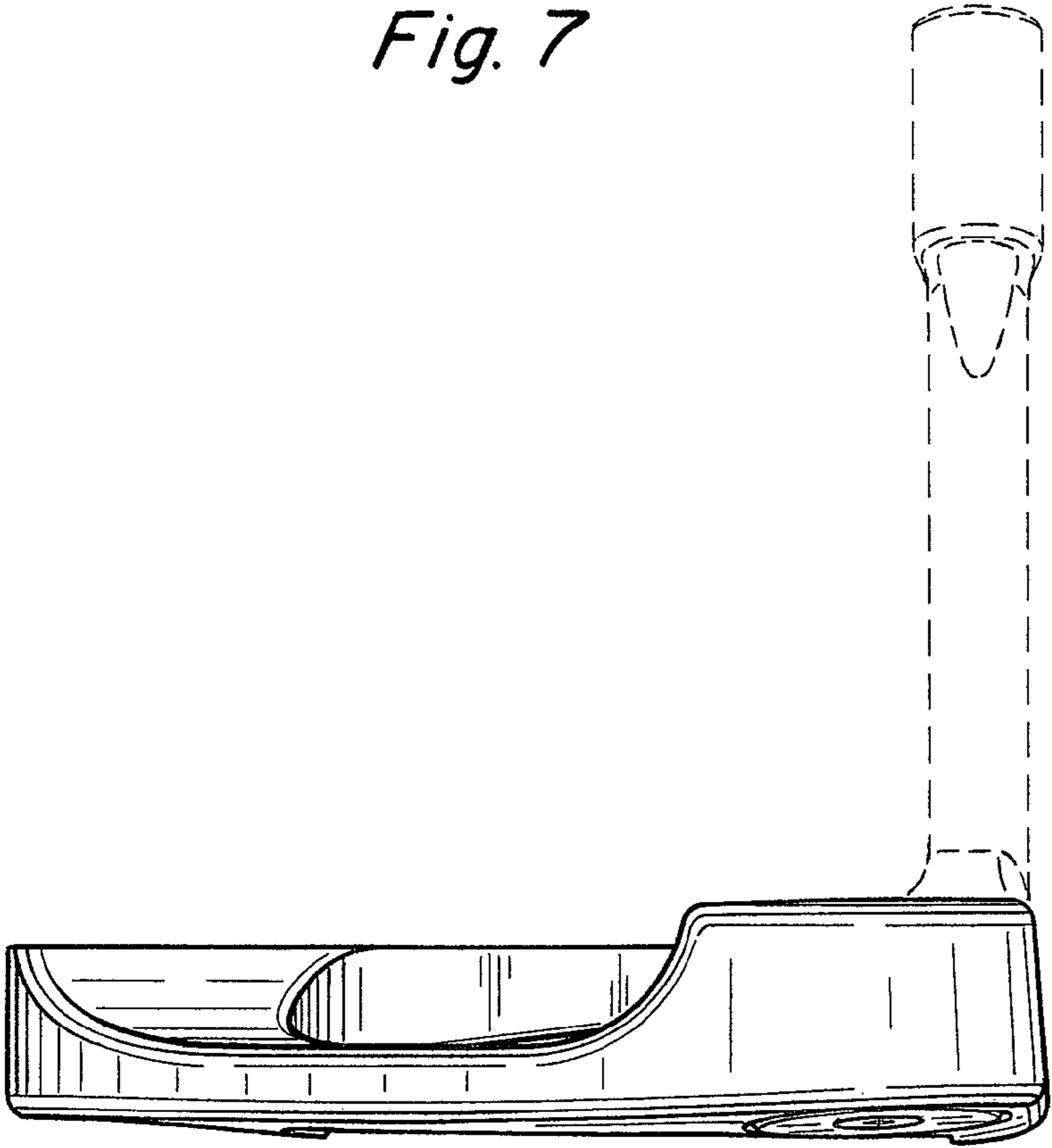


Fig. 8

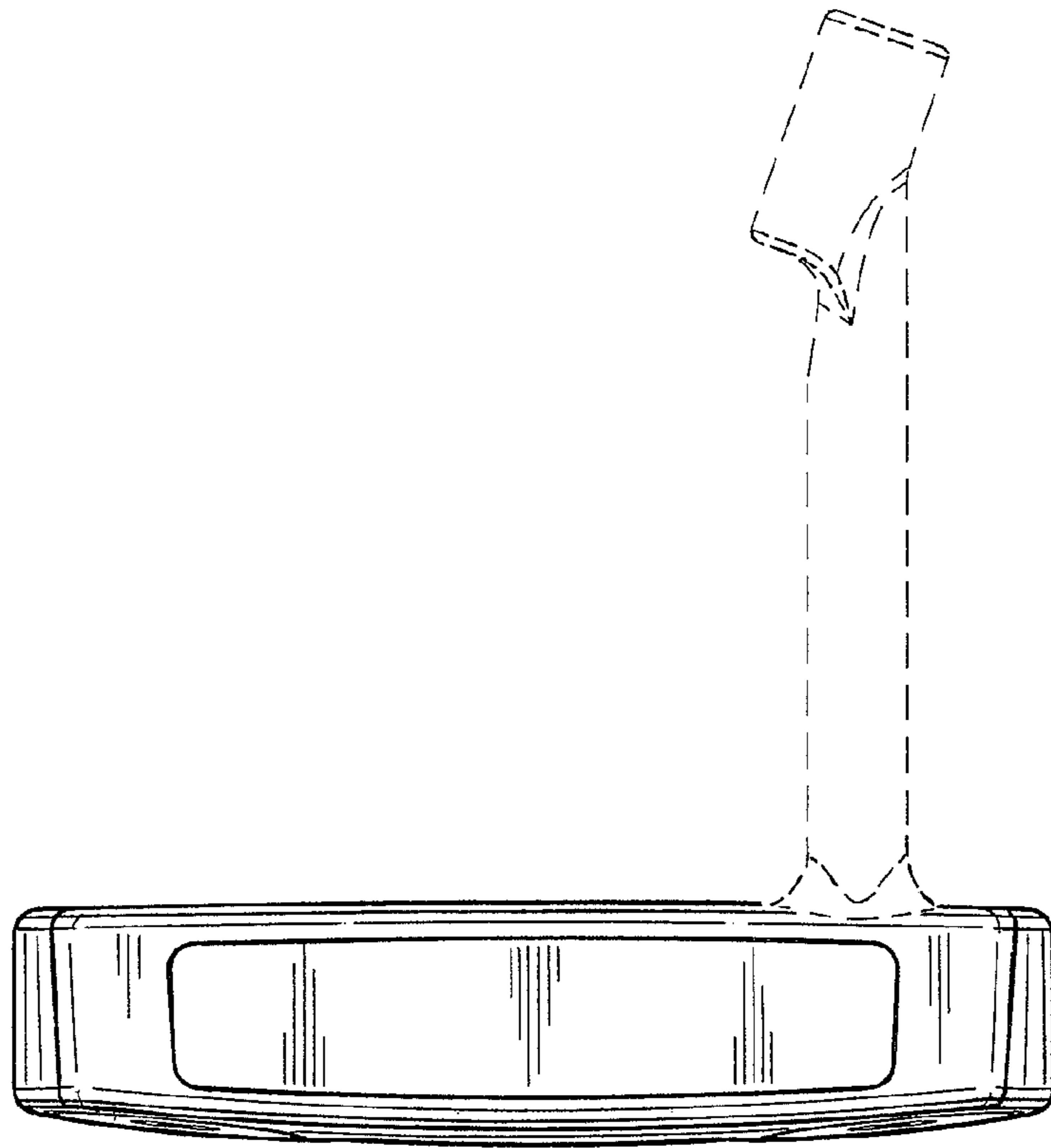


Fig. 9

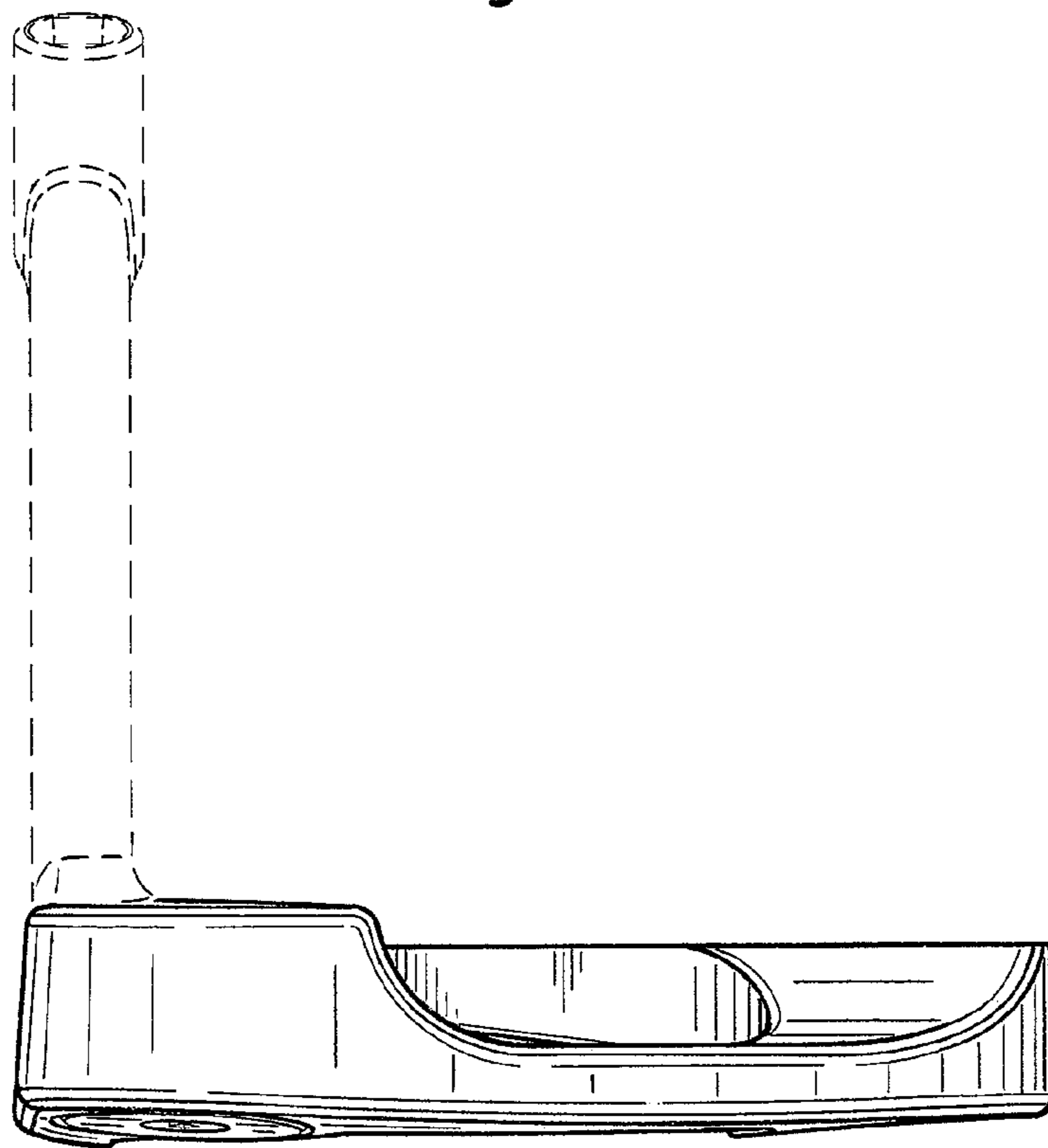


Fig. 10

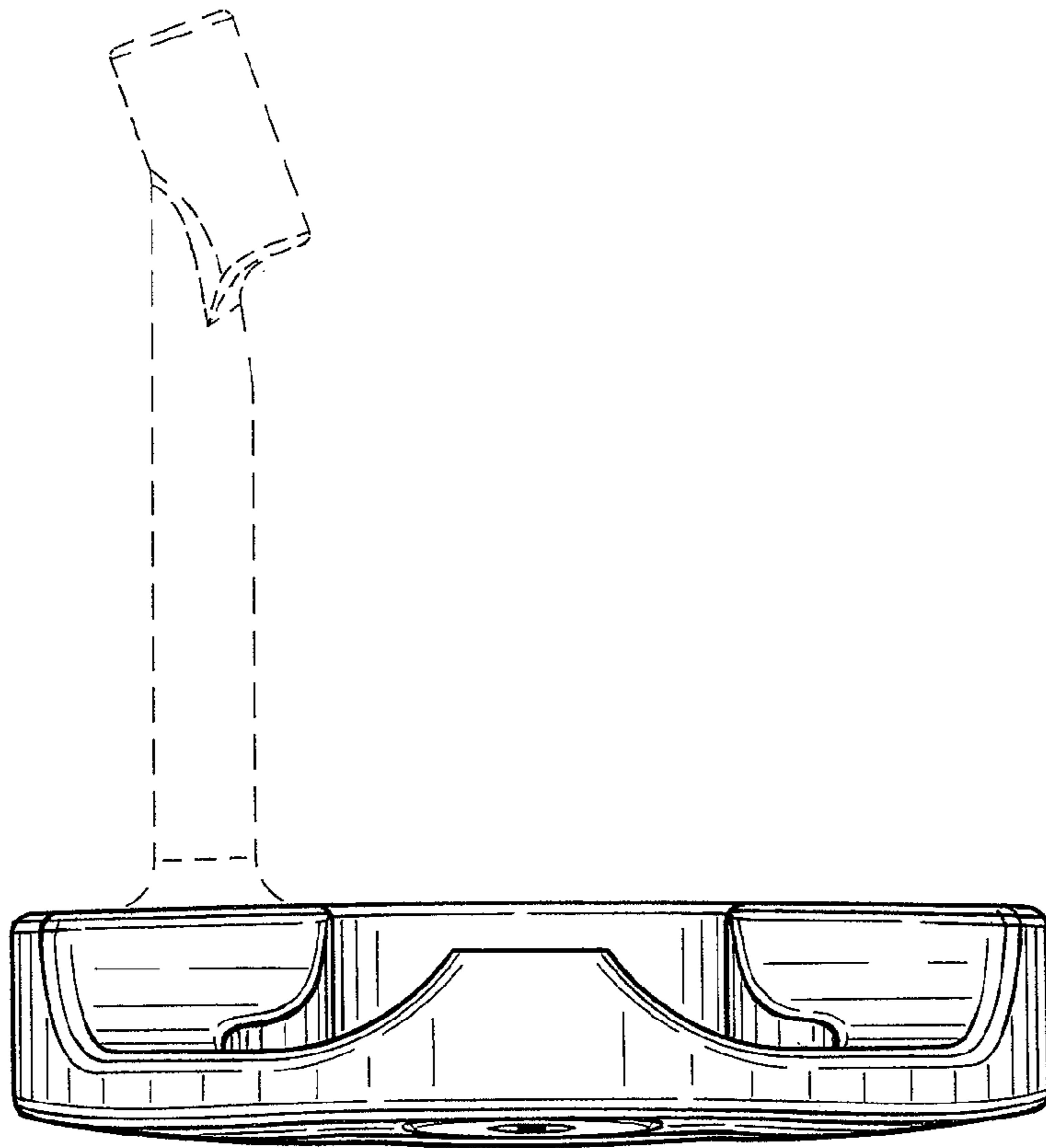


Fig. 11

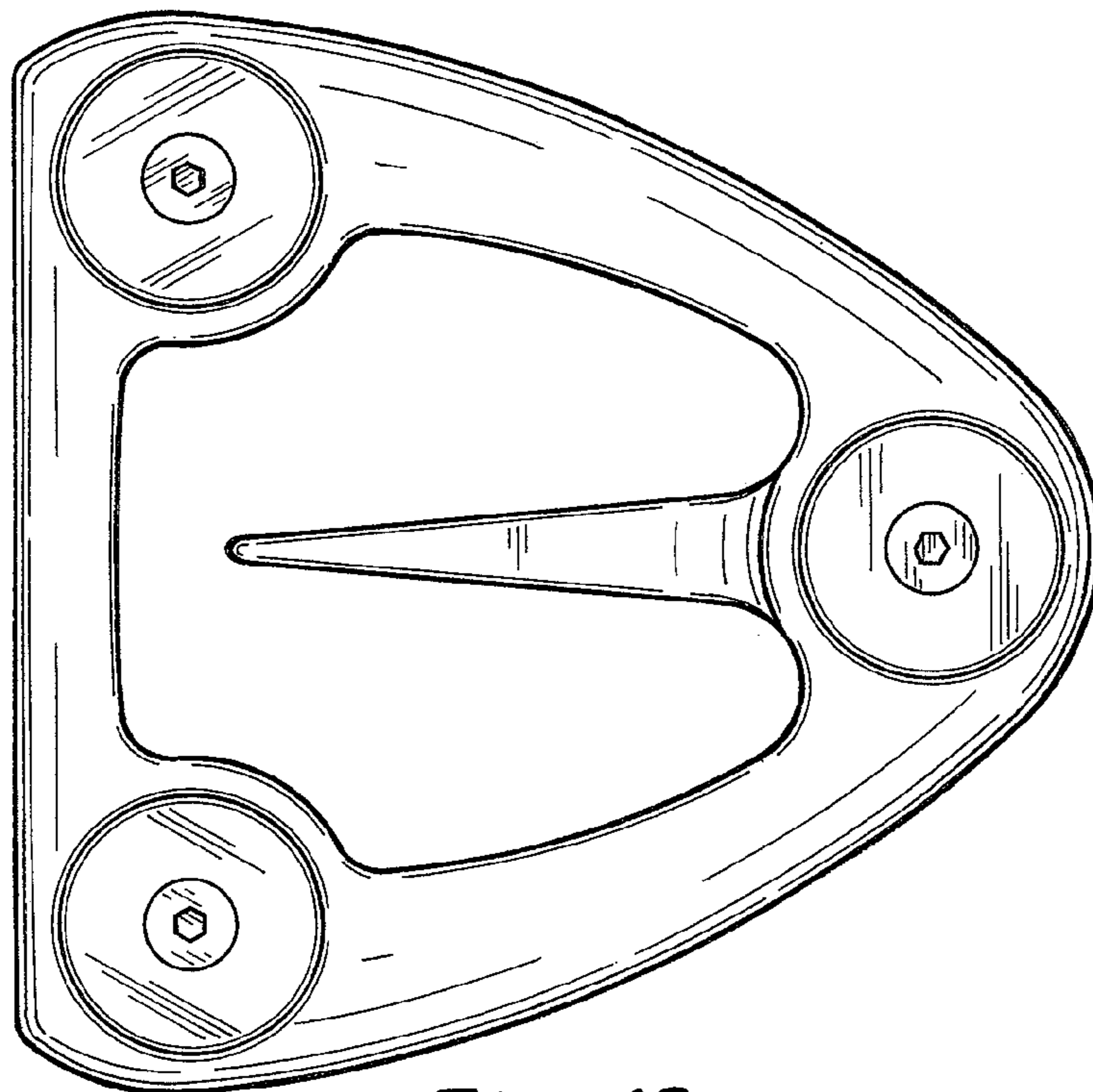


Fig. 12