

US00D603006S

(12) **United States Design Patent**
Foster et al.

(10) **Patent No.:** **US D603,006 S**

(45) **Date of Patent:** **** *Oct. 27, 2009**

(54) **PUTTER HEAD**

(75) Inventors: **Philip G. Foster**, Carlsbad, CA (US);
Augustin W. Rollinsoni, Carlsbad, CA
(US)

(73) Assignee: **Callaway Golf Company**, Carlsbad, CA
(US)

(*) Notice: This patent is subject to a terminal dis-
claimer.

(**) Term: **14 Years**

(21) Appl. No.: **29/327,951**

(22) Filed: **Nov. 14, 2008**

(51) **LOC (9) Cl.** **21-02**

(52) **U.S. Cl.** **D21/736**

(58) **Field of Classification Search** D21/736-746;
473/324-331, 340-341, 286, 252, 249
See application file for complete search history.

(56) **References Cited**

U.S. PATENT DOCUMENTS

4,580,784 A * 4/1986 Brill 473/286
5,127,653 A * 7/1992 Nelson 473/249

D356,613 S * 3/1995 Adams et al. D21/743
D408,878 S * 4/1999 Patten D21/743
5,916,035 A * 6/1999 Caiozzo 473/252
D478,642 S * 8/2003 Spino D21/736
D533,244 S * 12/2006 Kroll, Jr. D21/746
D565,681 S * 4/2008 Tanaka D21/736

* cited by examiner

Primary Examiner—Mitchell I Siegel

(74) *Attorney, Agent, or Firm*—Michael A. Catania; Elaine H.
Lo

(57) **CLAIM**

The ornamental design for a putter head, as shown and
described.

DESCRIPTION

FIG. 1 is a top perspective view of a putter head;

FIG. 2 is a top plan view thereof;

FIG. 3 is a bottom plan view thereof;

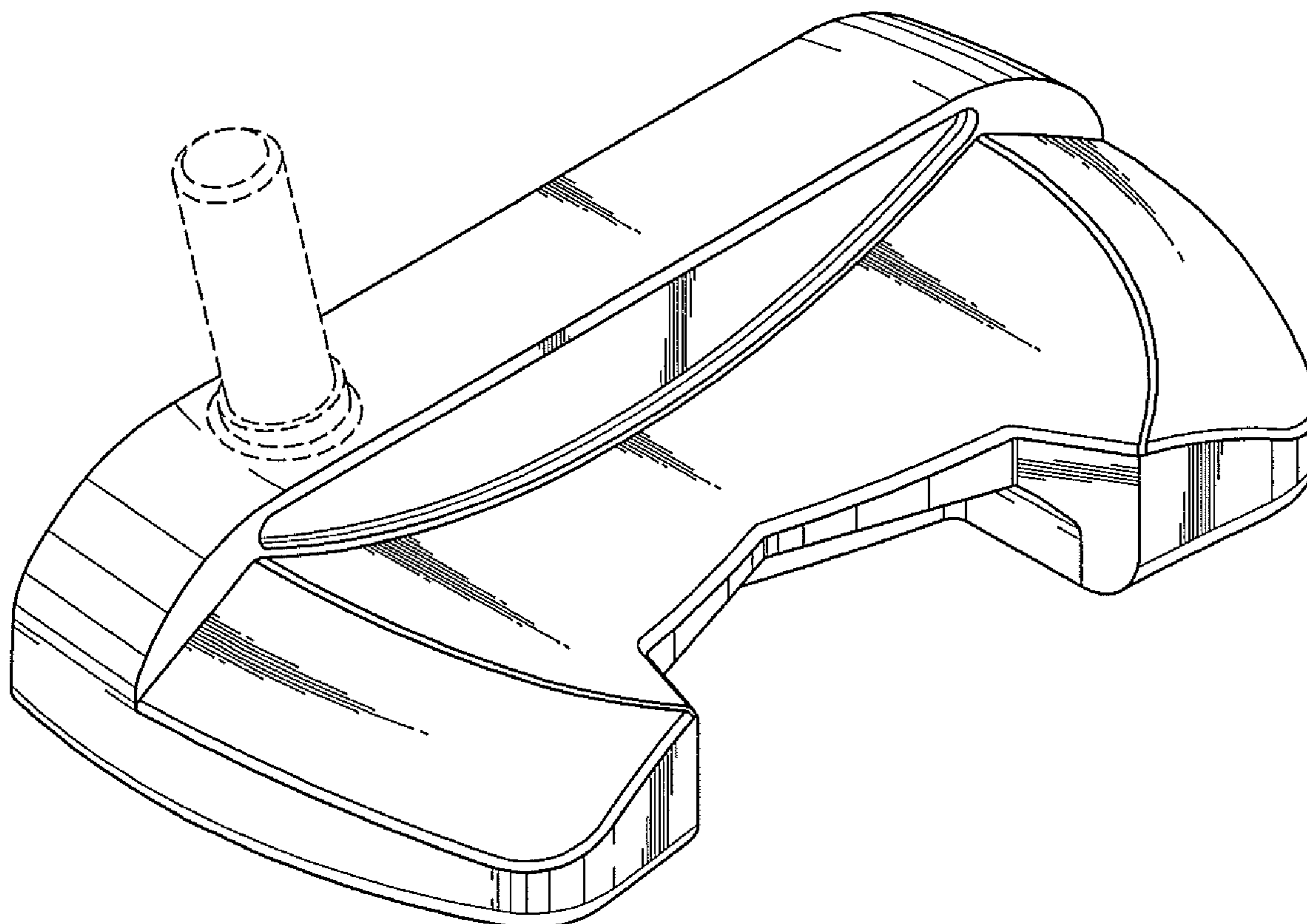
FIG. 4 is a toe elevational view thereof;

FIG. 5 is a heel elevational view thereof;

FIG. 6 is a rear elevational view thereof; and,

FIG. 7 is a front elevational view thereof.

1 Claim, 3 Drawing Sheets



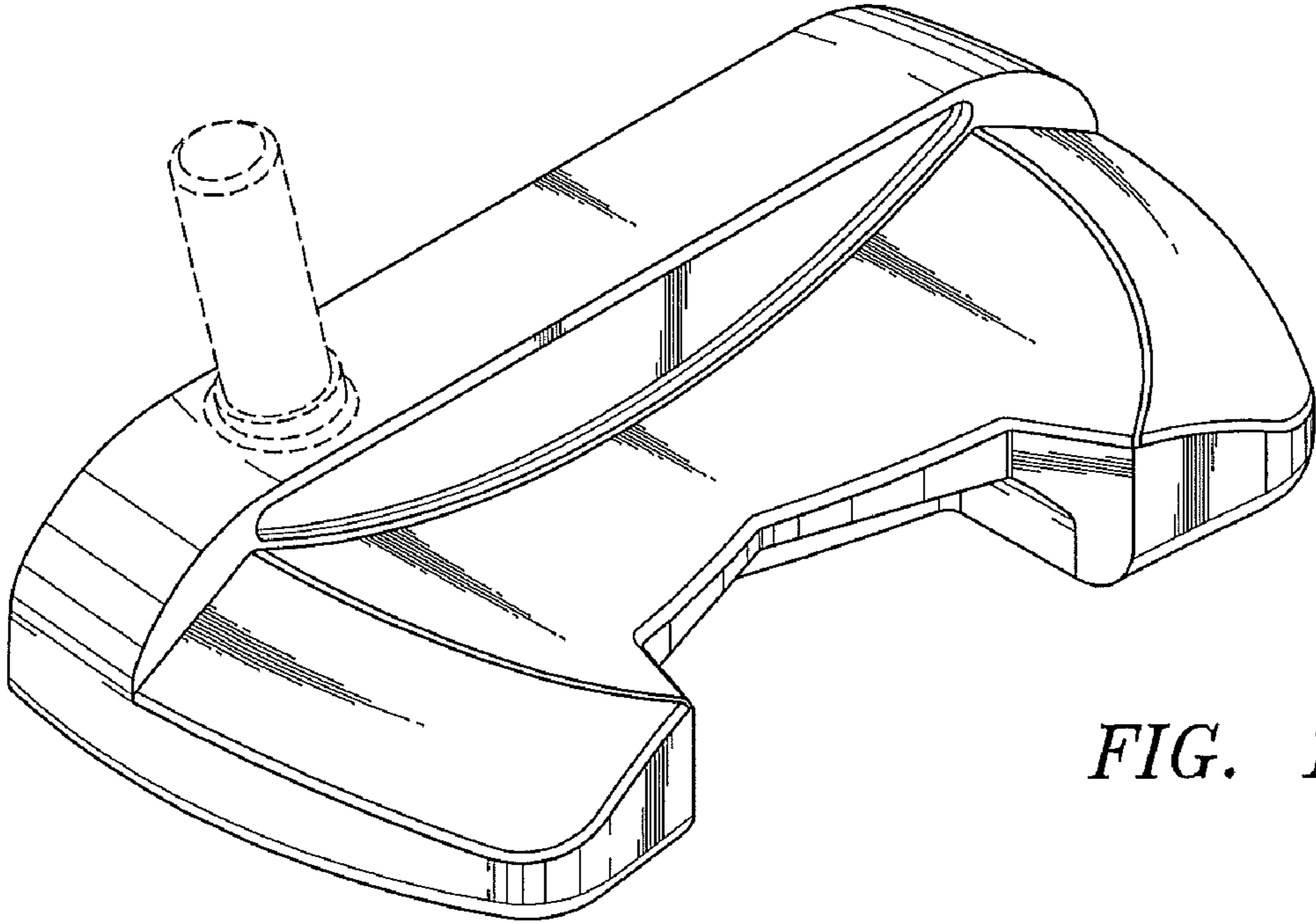


FIG. 1

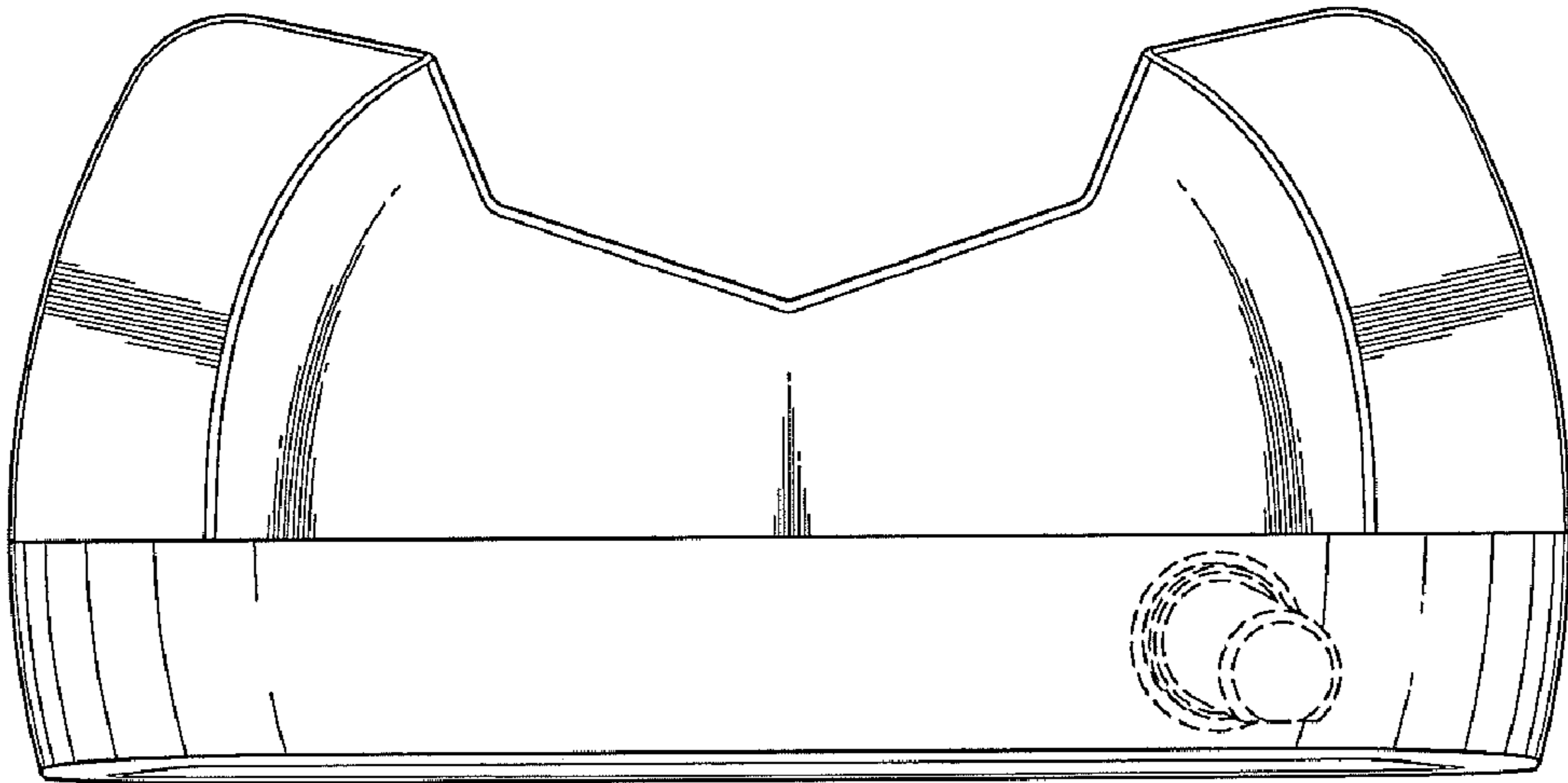


FIG. 2

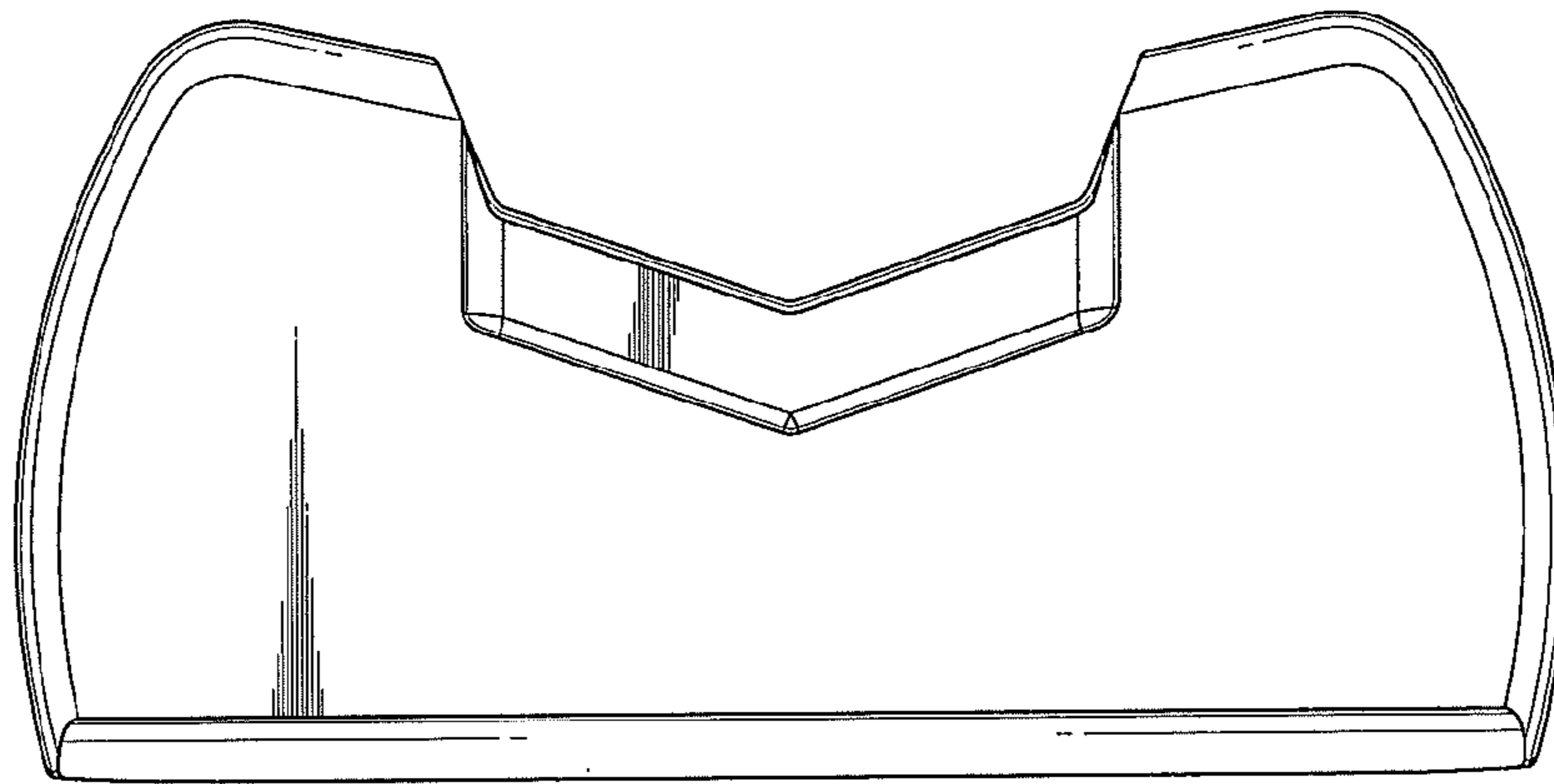


FIG. 3

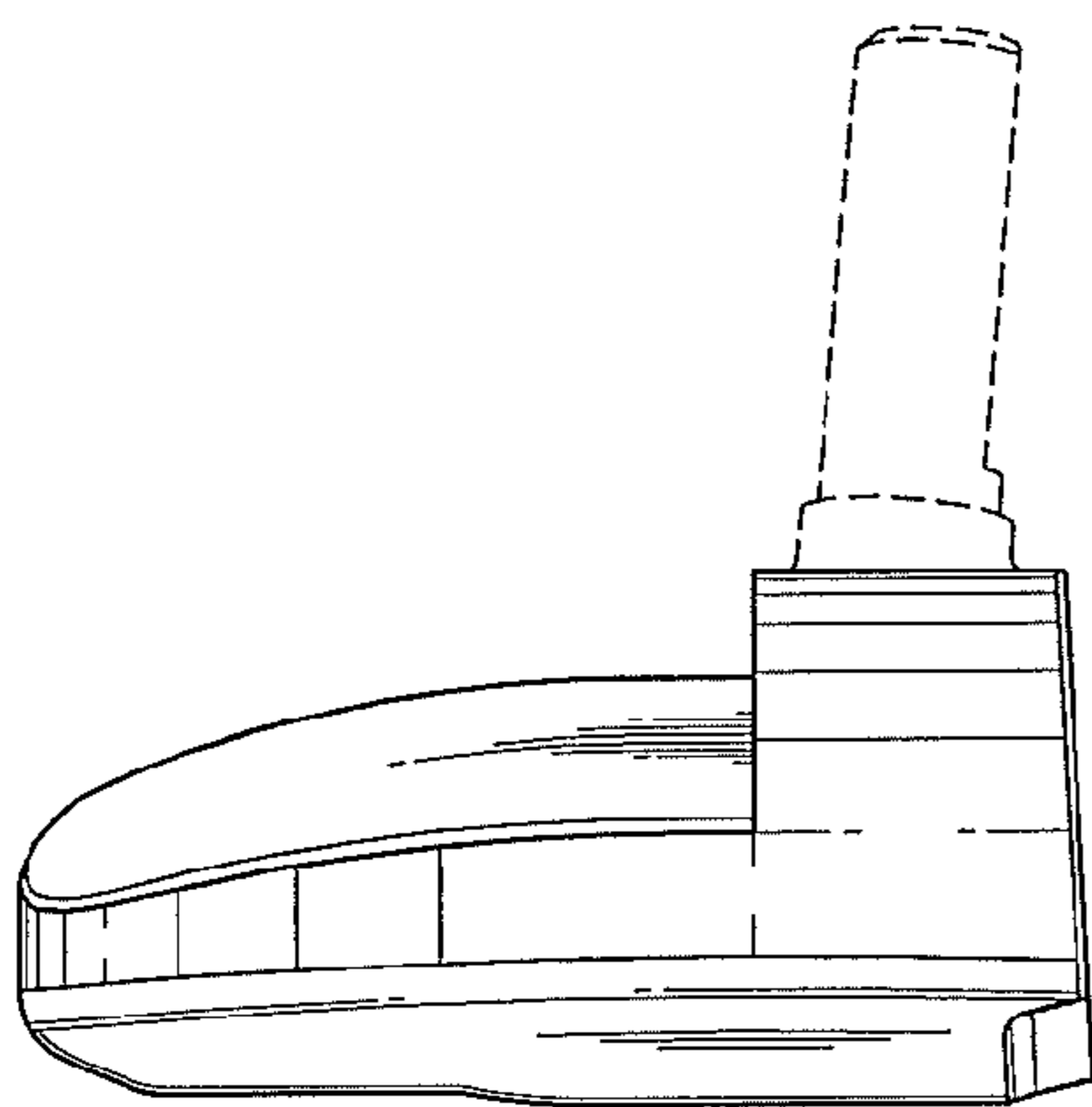


FIG. 4

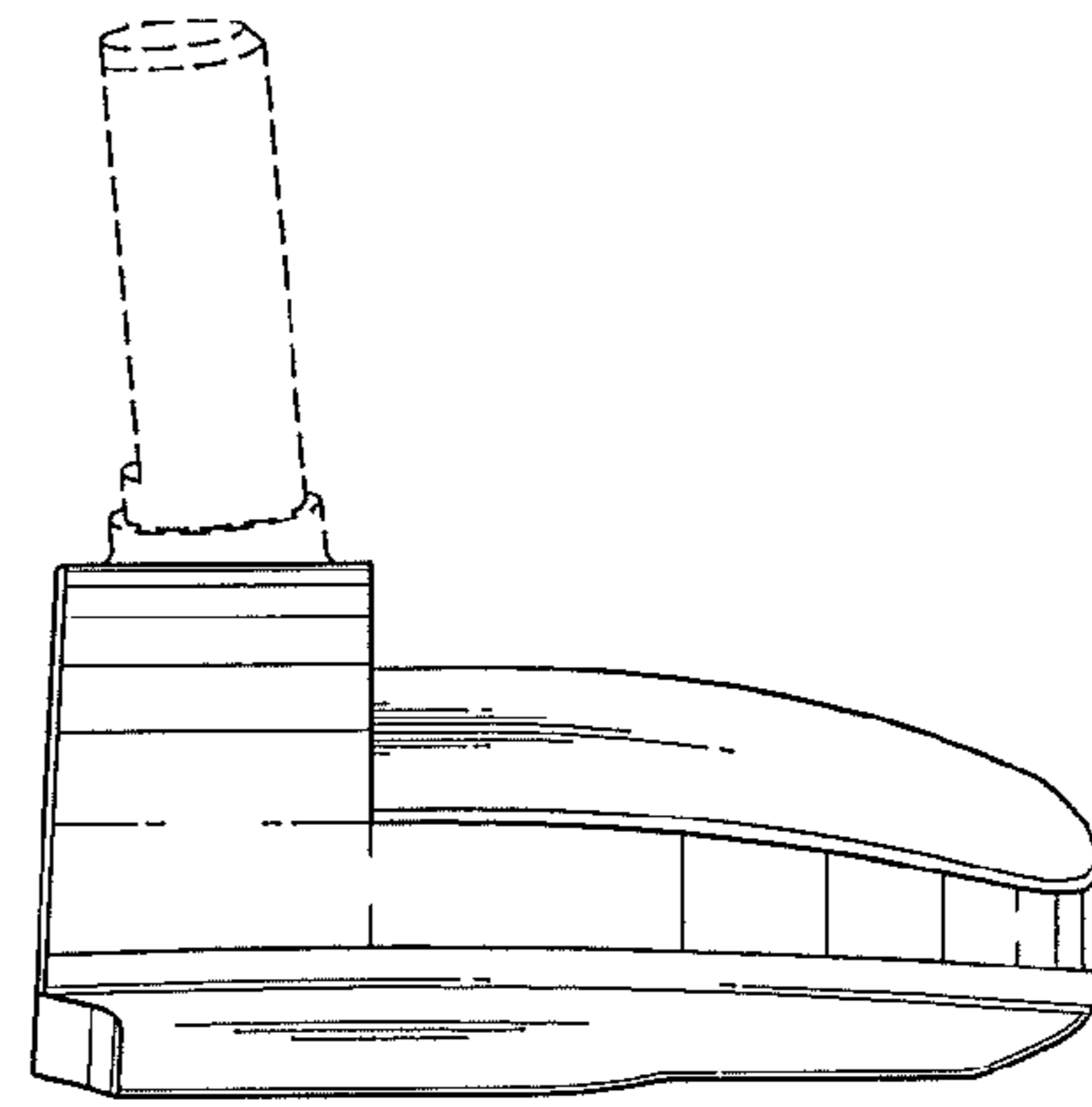


FIG. 5

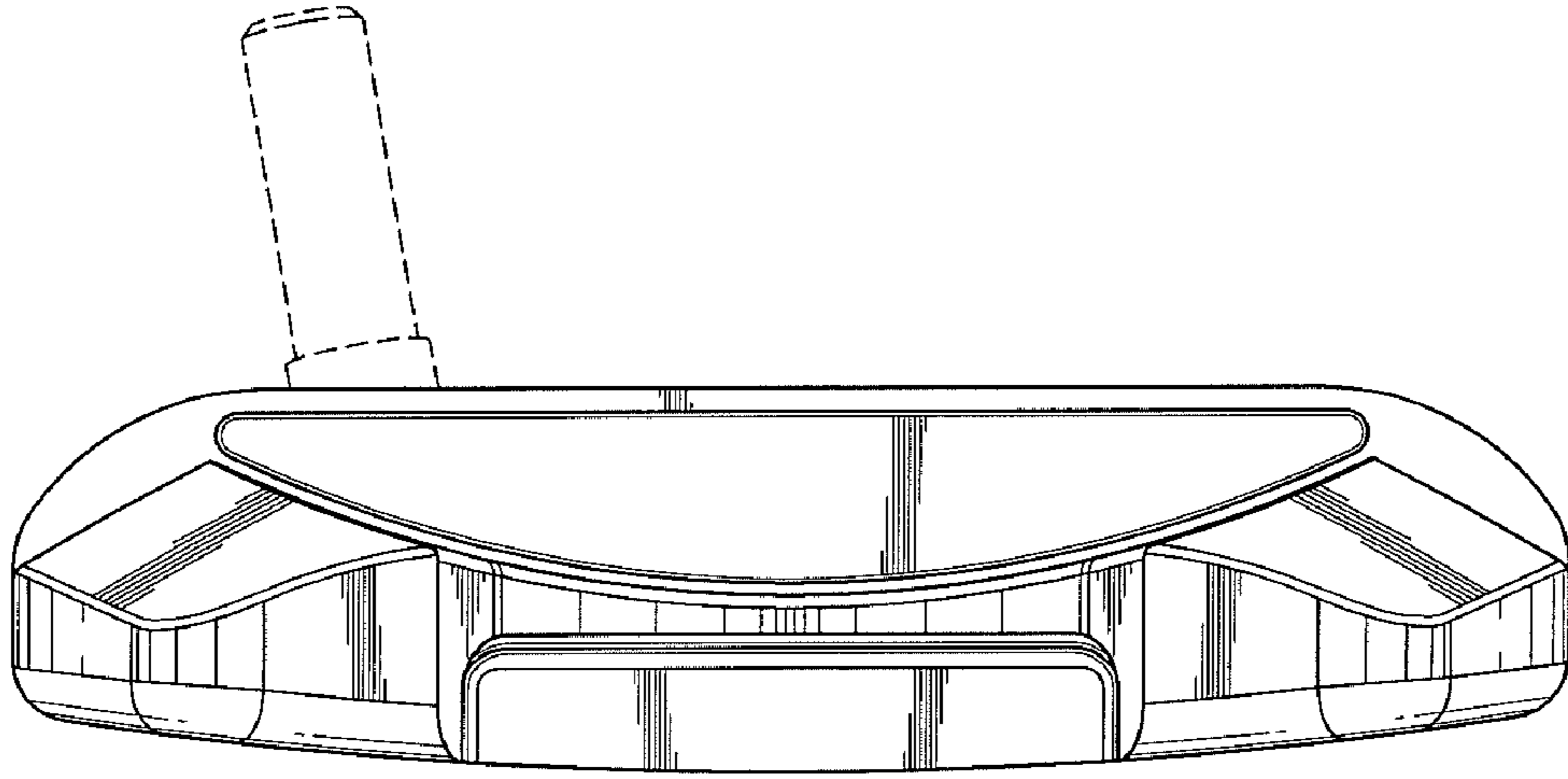


FIG. 6

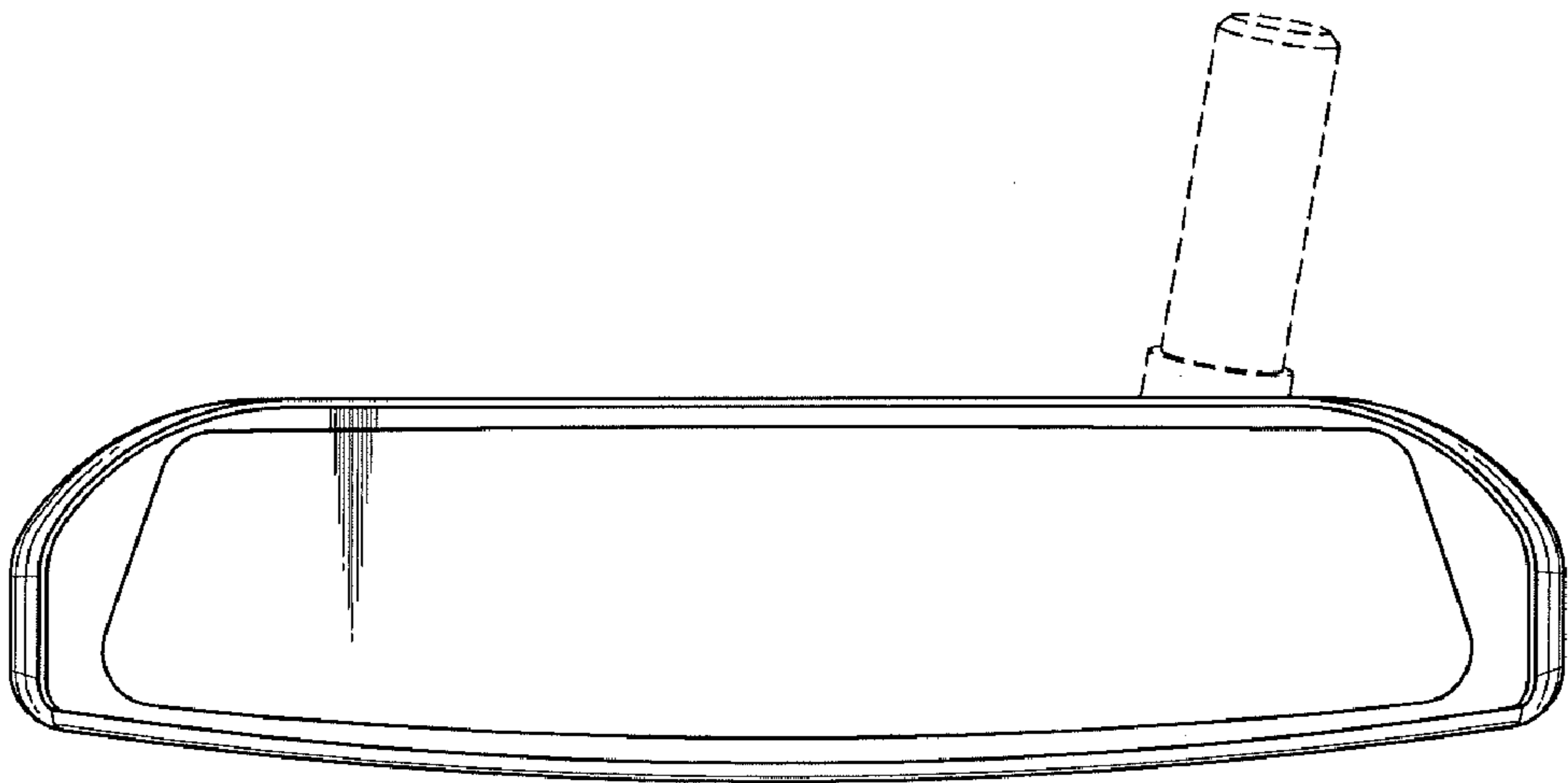


FIG. 7