



US00D603004S

(12) **United States Design Patent**  
**Chudy**

(10) **Patent No.:** **US D603,004 S**

(45) **Date of Patent:** **\*\* Oct. 27, 2009**

(54) **LINED GOLF TEE**

(75) Inventor: **Dean A. Chudy**, Wadsworth, IL (US)

(73) Assignee: **Golf Gifts & Gallery, Inc.**, Powers Lake, WI (US)

(\*\*) Term: **14 Years**

(21) Appl. No.: **29/328,375**

(22) Filed: **Nov. 24, 2008**

(51) **LOC (9) Cl.** ..... **21-02**

(52) **U.S. Cl.** ..... **D21/717**

(58) **Field of Classification Search** ..... D21/715-721,  
D21/789-796, 300, 304, 700, 699, 840; D25/38-46,  
D25/126-135; D8/391-393; D19/42, 48;  
D10/46.1, 70, 71, 74, 46, 103, 113, 121;  
473/387-407, 410, 411

See application file for complete search history.

(56) **References Cited**

U.S. PATENT DOCUMENTS

161,080	A *	3/1875	West	.....	473/411
D99,117	S	3/1936	Drinkert		
2,789,823	A *	4/1957	Bennett	.....	273/126 R
3,203,700	A	8/1965	Antonious		
3,408,079	A	10/1968	Kirikos		
3,889,946	A *	6/1975	Setecka	.....	473/133
D310,491	S *	9/1990	Mitchell	.....	D10/46
D348,498	S *	7/1994	Milliken	.....	D21/718
5,356,146	A	10/1994	Blosser		
5,890,976	A	4/1999	Anderson		
D468,379	S	1/2003	Gan		
6,723,013	B2 *	4/2004	Ilcisin et al.	.....	473/570
6,729,977	B1	5/2004	Young		
D492,374	S	6/2004	Barouh		
D494,485	S *	8/2004	Schiene et al.	.....	D10/71
D517,622	S	3/2006	Barouh		
7,066,844	B1	6/2006	Noggle		
D559,926	S *	1/2008	Wood	.....	D21/718

2004/0152542	A1	8/2004	Blum		
2005/0026726	A1	2/2005	Barouh		
2005/0070379	A1	3/2005	Gilmour		
2006/0211519	A1 *	9/2006	Breton	.....	473/387
2006/0258483	A1	11/2006	Hannah et al.		
2006/0287136	A1 *	12/2006	Oleksyk	.....	473/387
2008/0020868	A1	1/2008	Palmer		
2008/0214328	A1 *	9/2008	Lee	.....	473/398

FOREIGN PATENT DOCUMENTS

GB	DES. 3015837	*	3/2004
GB	2408943	A	6/2005
GB	DES. 3025396	*	8/2006
JP	08038663	A	2/1996
WO	WO 2007149576	A2 *	12/2007

OTHER PUBLICATIONS

Golf tee shaped pen shown on webpage: <http://www.handhpens.com/Merchant2/graphics/00000001/misc%20pens%20031.jpg> access date: May 13, 2008.\*

\* cited by examiner

*Primary Examiner*—Catherine Tuttle

(74) *Attorney, Agent, or Firm*—Neal Gerber & Eisenberg LLP

(57) **CLAIM**

The ornamental design for a lined golf tee, as shown and described.

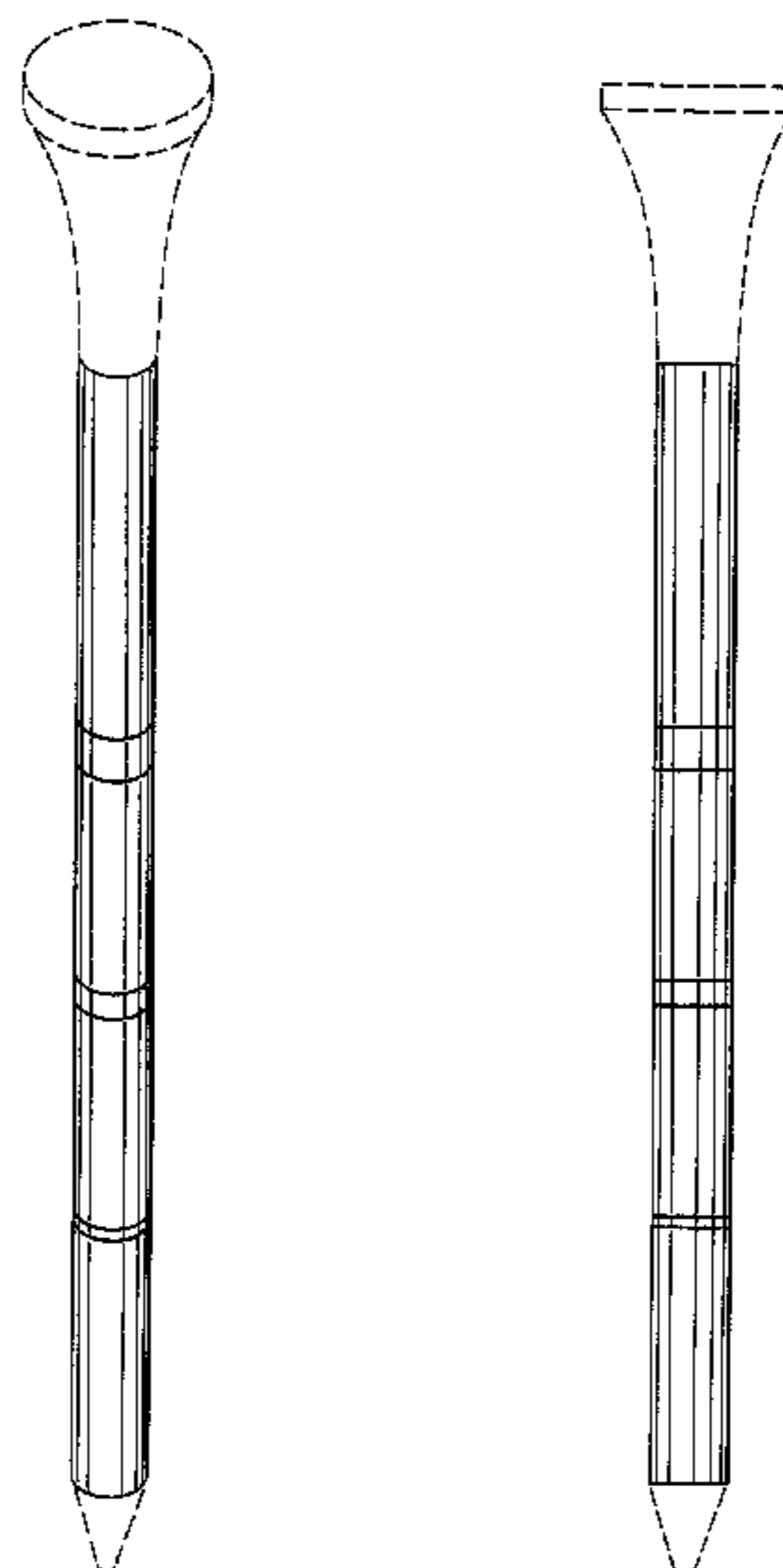
**DESCRIPTION**

FIG. 1 is perspective view of a lined golf tee in accordance with the present invention; and,

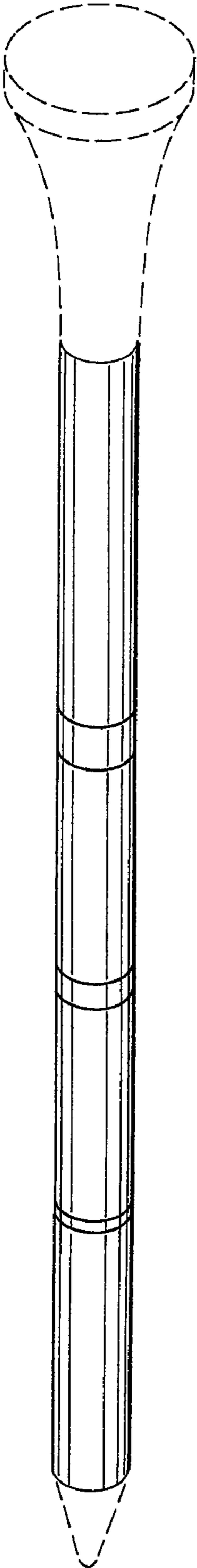
FIG. 2 is an elevational view of the lined golf tee shown in FIG. 1.

The broken lines are included for the purpose of illustrating portions of the lined golf tee that form no part of the claimed design.

**1 Claim, 1 Drawing Sheet**



**FIG. 1**



**FIG. 2**

