

US00D603001S

(12) **United States Design Patent**
Wong

(10) **Patent No.:** **US D603,001 S**
(45) **Date of Patent:** **** Oct. 27, 2009**

(54) **COMBINATION EXERCISE AND MASSAGE MACHINE**

(75) Inventor: **Franklin Wong**, Richmond Hill (CA)

(73) Assignee: **Refinement Canada Inc.**, Richmond Hill, Ontario (CA)

(**) Term: **14 Years**

(21) Appl. No.: **29/322,526**

(22) Filed: **Aug. 6, 2008**

(30) **Foreign Application Priority Data**

Feb. 7, 2008 (CA) 124549

(51) **LOC (9) Cl.** **21-02**

(52) **U.S. Cl.** **D21/688; D21/668**

(58) **Field of Classification Search** D21/662,
D21/688, 689, 668, 669, 670; 482/146, 147,
482/51, 66, 70, 71, 74

See application file for complete search history.

(56) **References Cited**

U.S. PATENT DOCUMENTS

4,340,214 A * 7/1982 Schutzer 482/51
5,078,389 A * 1/1992 Chen 482/8
5,232,423 A * 8/1993 Hajduczek 482/68

5,279,532 A * 1/1994 Chen 482/71
D358,182 S * 5/1995 Yang D21/670
5,520,598 A * 5/1996 Little 482/79
D380,508 S * 7/1997 Chang D21/688
D512,111 S * 11/2005 Summers D21/668
D550,312 S * 9/2007 Summers D21/668
D589,573 S * 3/2009 McVay et al. D21/668

* cited by examiner

Primary Examiner—Philip S Hyder

(74) *Attorney, Agent, or Firm*—Fredrikson & Byron, P.A.

(57) **CLAIM**

I claim the ornamental design for the combination exercise and massage machine, as shown and described.

DESCRIPTION

FIG. 1 is a top perspective view of a combination exercise and massage machine incorporating my new design.

FIG. 2 is a back perspective view thereof.

FIG. 3 is a bottom perspective view thereof.

FIG. 4 is a front perspective view thereof.

FIG. 5 is a right side perspective view thereof.

FIG. 6 is a perspective view thereof; and,

FIG. 7 is a left side perspective view thereof.

1 Claim, 7 Drawing Sheets

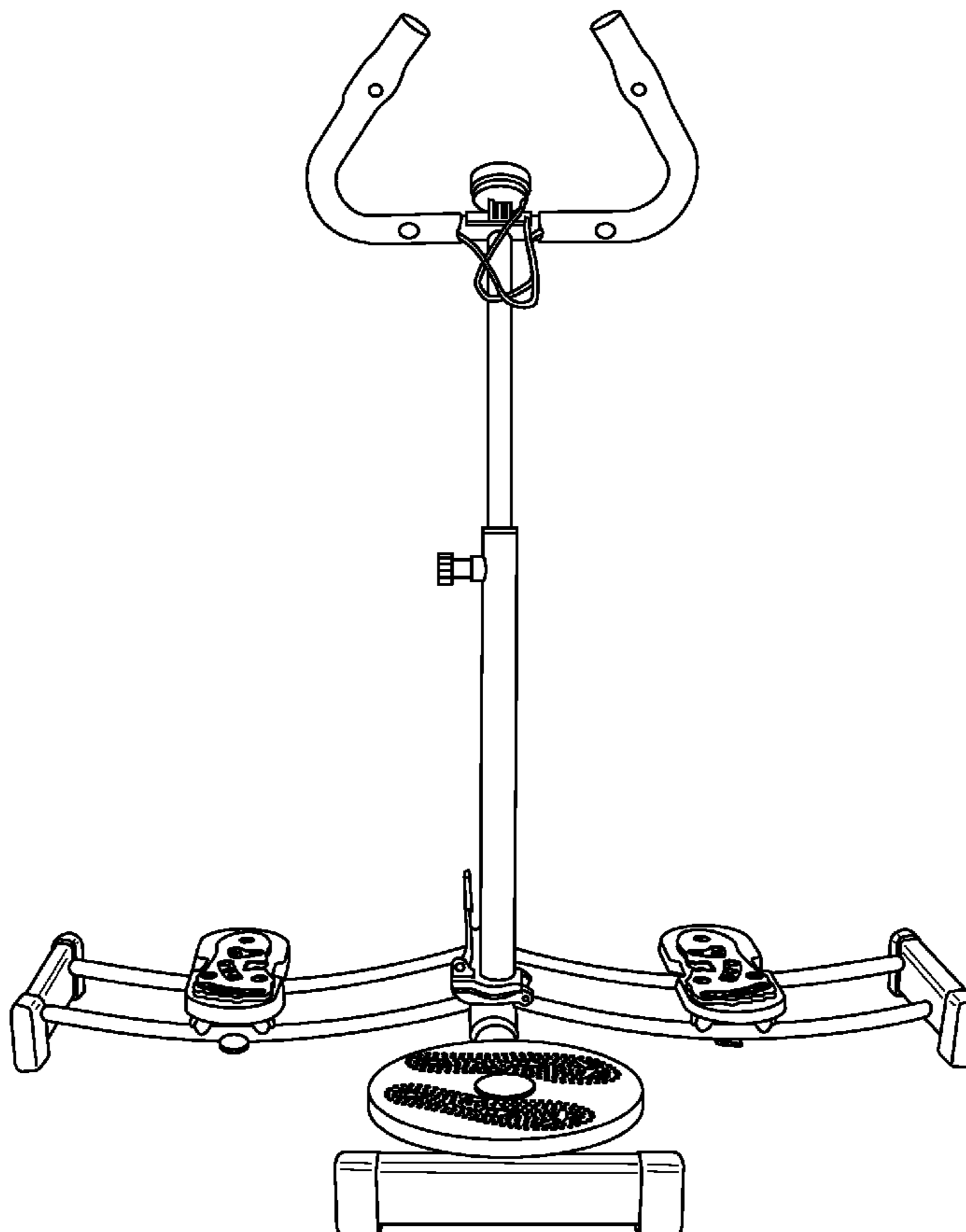


Fig. 1

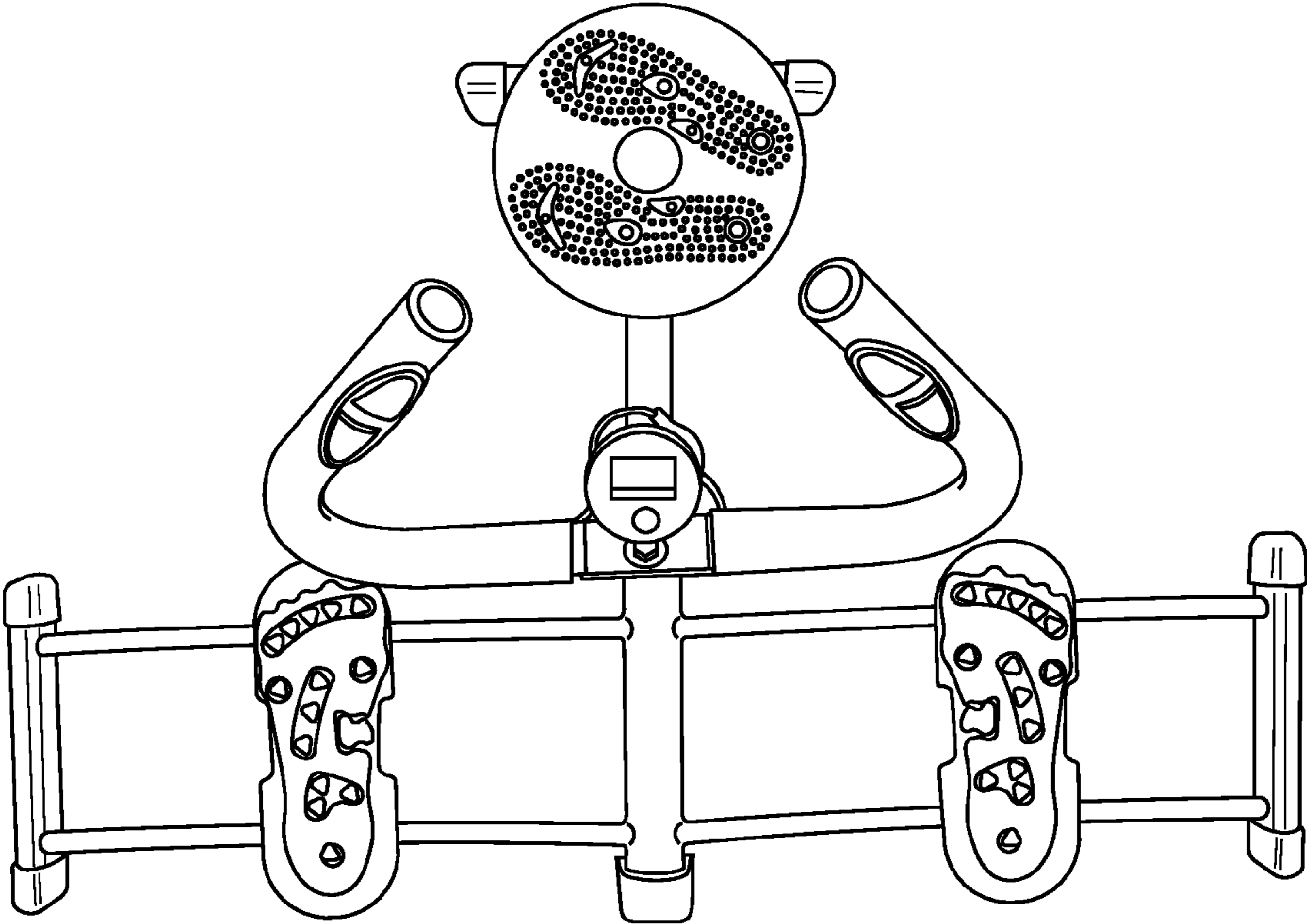


Fig. 2

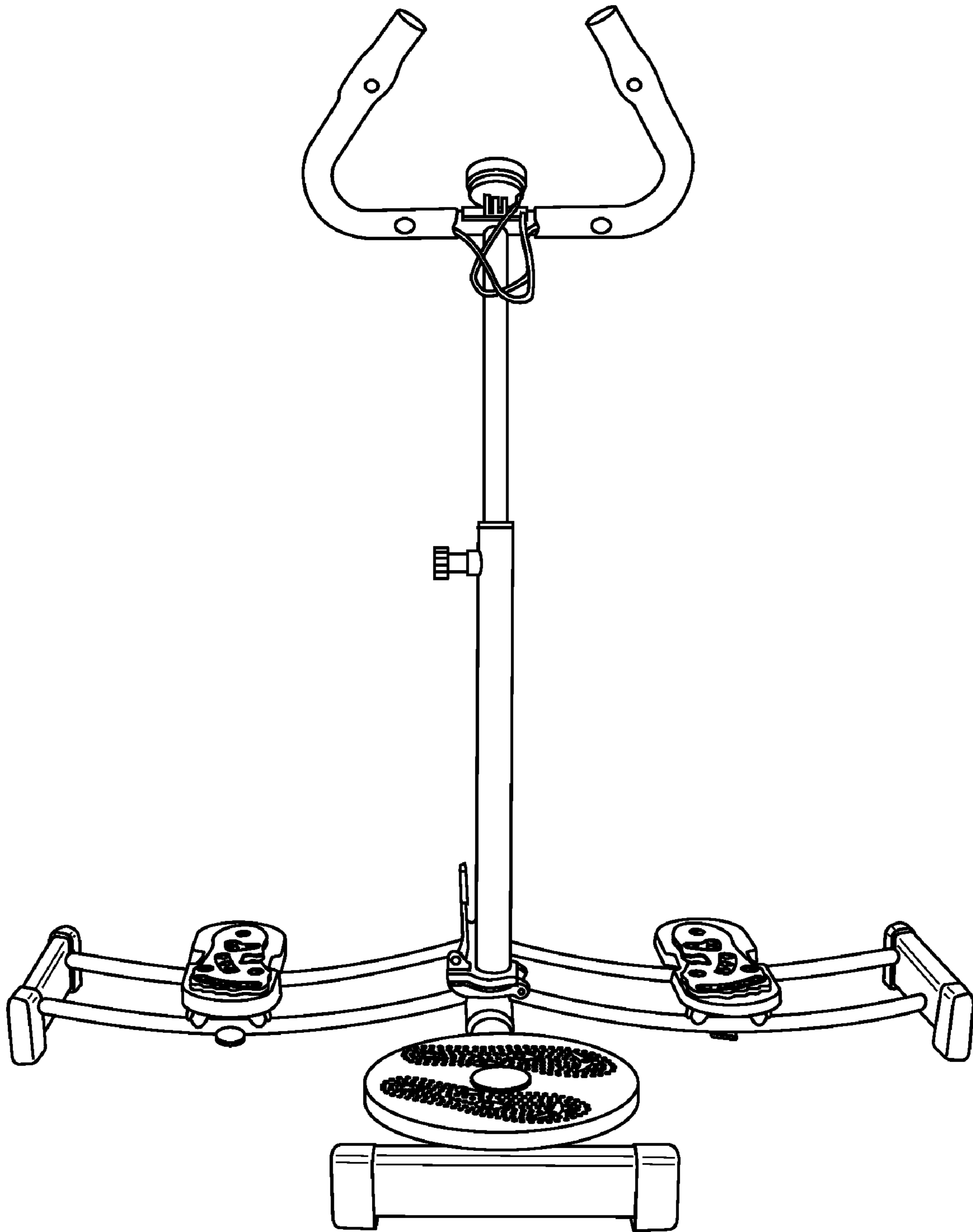


Fig. 3

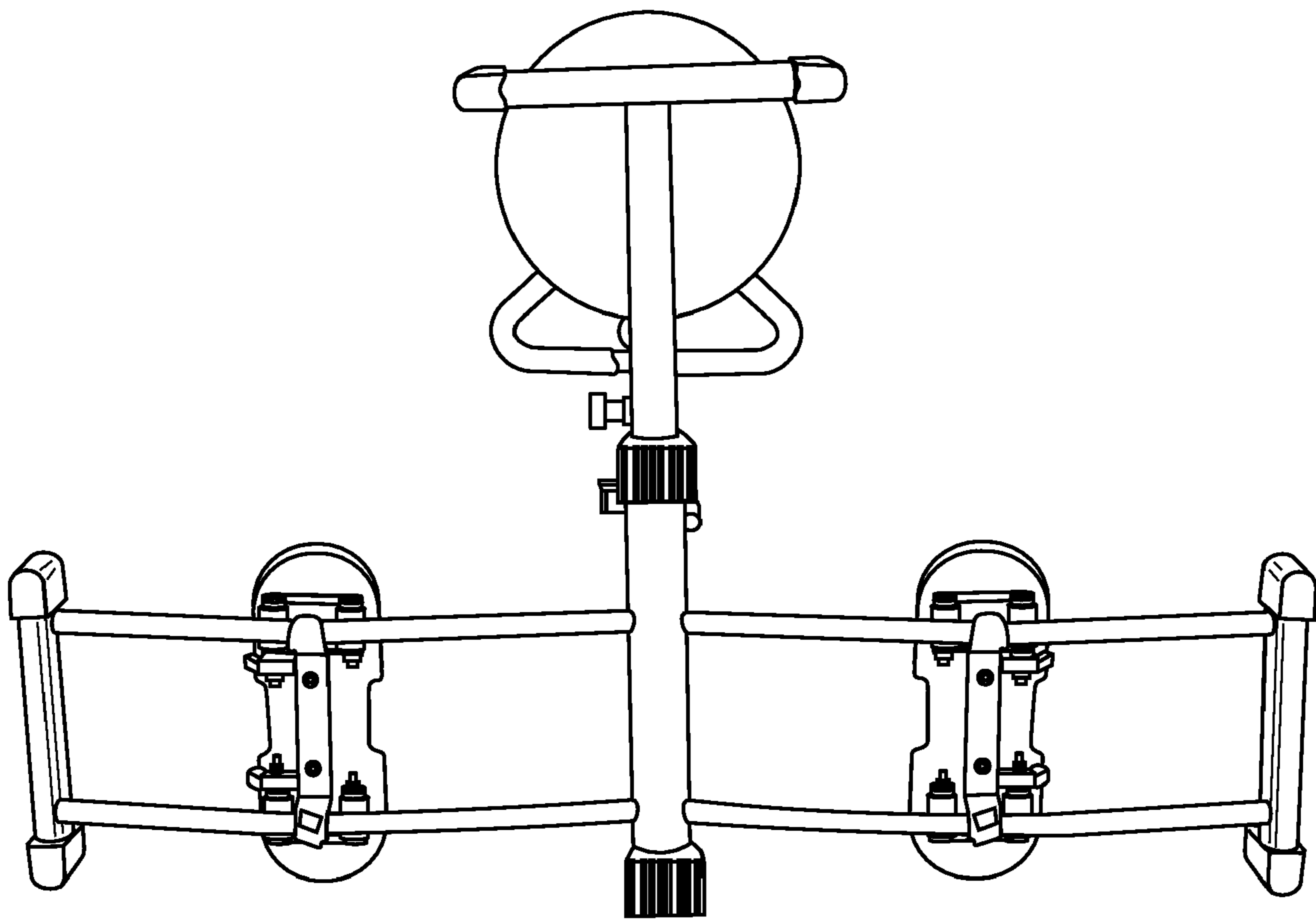


Fig. 4

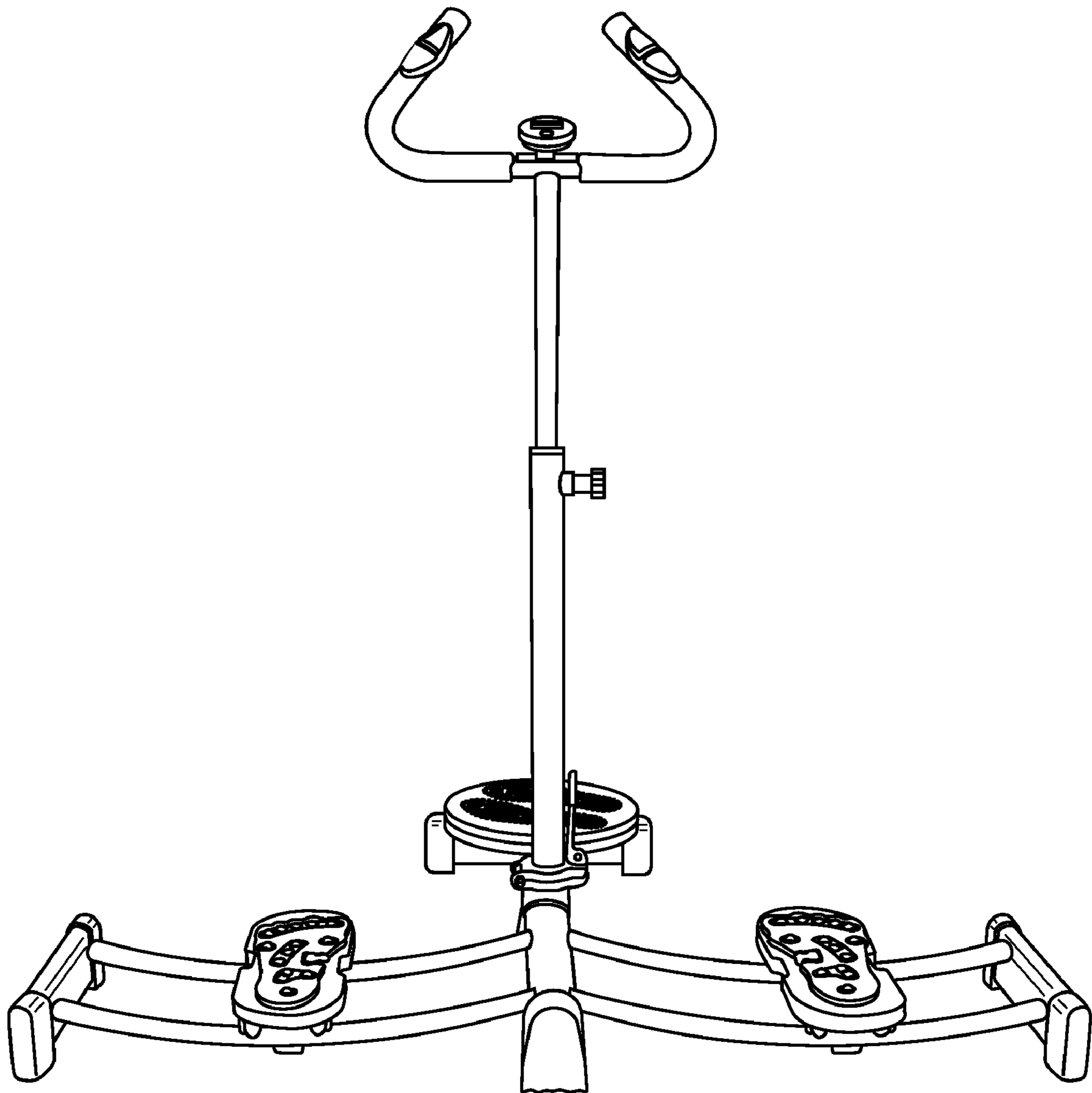


Fig. 5

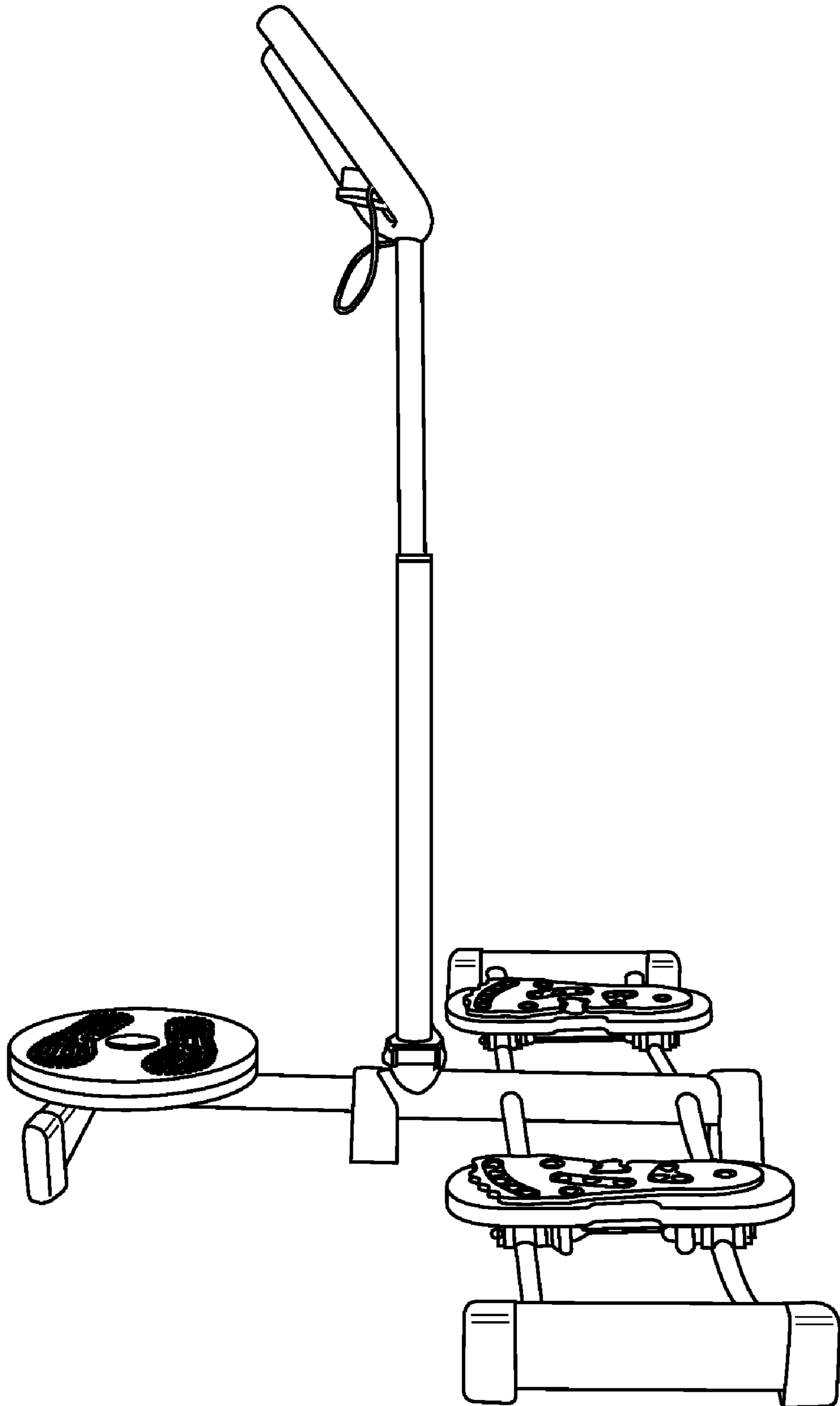


Fig. 6

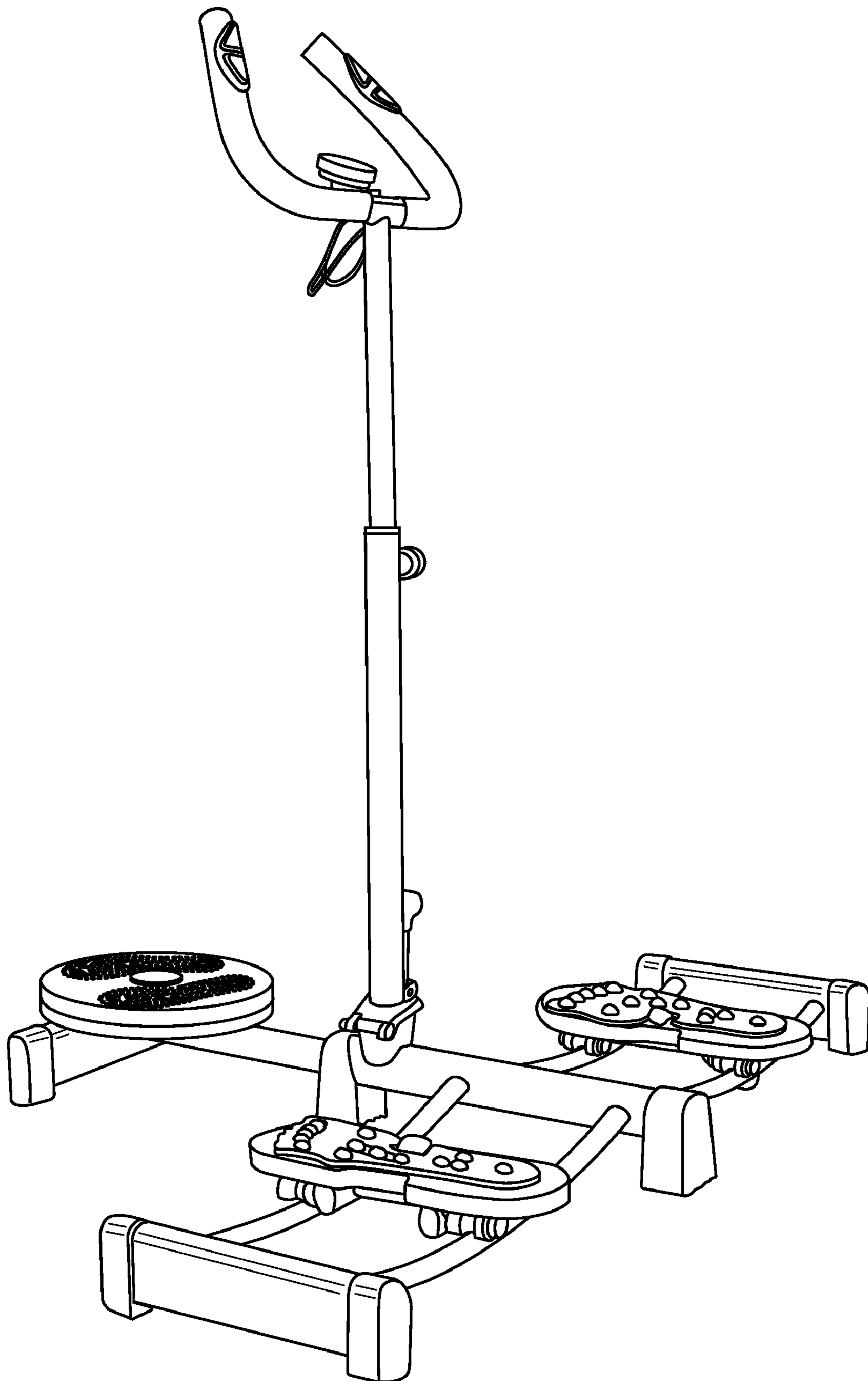


Fig. 7

