



US00D602995S

(12) **United States Design Patent**
Takeuchi

(10) **Patent No.:** **US D602,995 S**

(45) **Date of Patent:** **** Oct. 27, 2009**

(54) **ROTATABLE DISPLAY UNIT FOR A GAMING MACHINE**

2005/0282617 A1* 12/2005 Sekiguchi et al. 463/20

OTHER PUBLICATIONS

U.S. Appl. No. 29/312,430, filed Oct. 20, 2008, Takeuchi.

* cited by examiner

Primary Examiner—Sandra Morris

(74) *Attorney, Agent, or Firm*—Muirhead and Saturnelli, LLC

(75) Inventor: **Mitsushige Takeuchi**, Tokyo (JP)

(73) Assignee: **Konami Gaming, Incorporated**, Las Vegas, NV (US)

(**) Term: **14 Years**

(21) Appl. No.: **29/312,429**

(22) Filed: **Oct. 20, 2008**

(51) **LOC (9) Cl.** **21-01**

(52) **U.S. Cl.** **D21/385**

(58) **Field of Classification Search** D14/304–307;
D21/324–329, 369–371, 385; 273/138.1;
463/13, 16–17, 20, 46–47

See application file for complete search history.

(56) **References Cited**

U.S. PATENT DOCUMENTS

- D406,615 S * 3/1999 Griswold et al. D21/370
- 7,040,620 B2 * 5/2006 Seelig et al. 463/20
- D537,127 S * 2/2007 Kaminkow et al. D21/370
- 2002/0107067 A1 * 8/2002 McGlone et al. 463/20
- 2004/0162131 A1 * 8/2004 Shuster 463/17
- 2004/0209667 A1 * 10/2004 Emori et al. 463/20

(57) **CLAIM**

The ornamental design for a rotatable display unit for a gaming machine, as shown and described.

DESCRIPTION

FIG. 1 is a front elevational view of a rotatable display unit for a gaming machine showing the new design;

FIG. 2 is a rear elevational view thereof;

FIG. 3 is a left elevational view thereof;

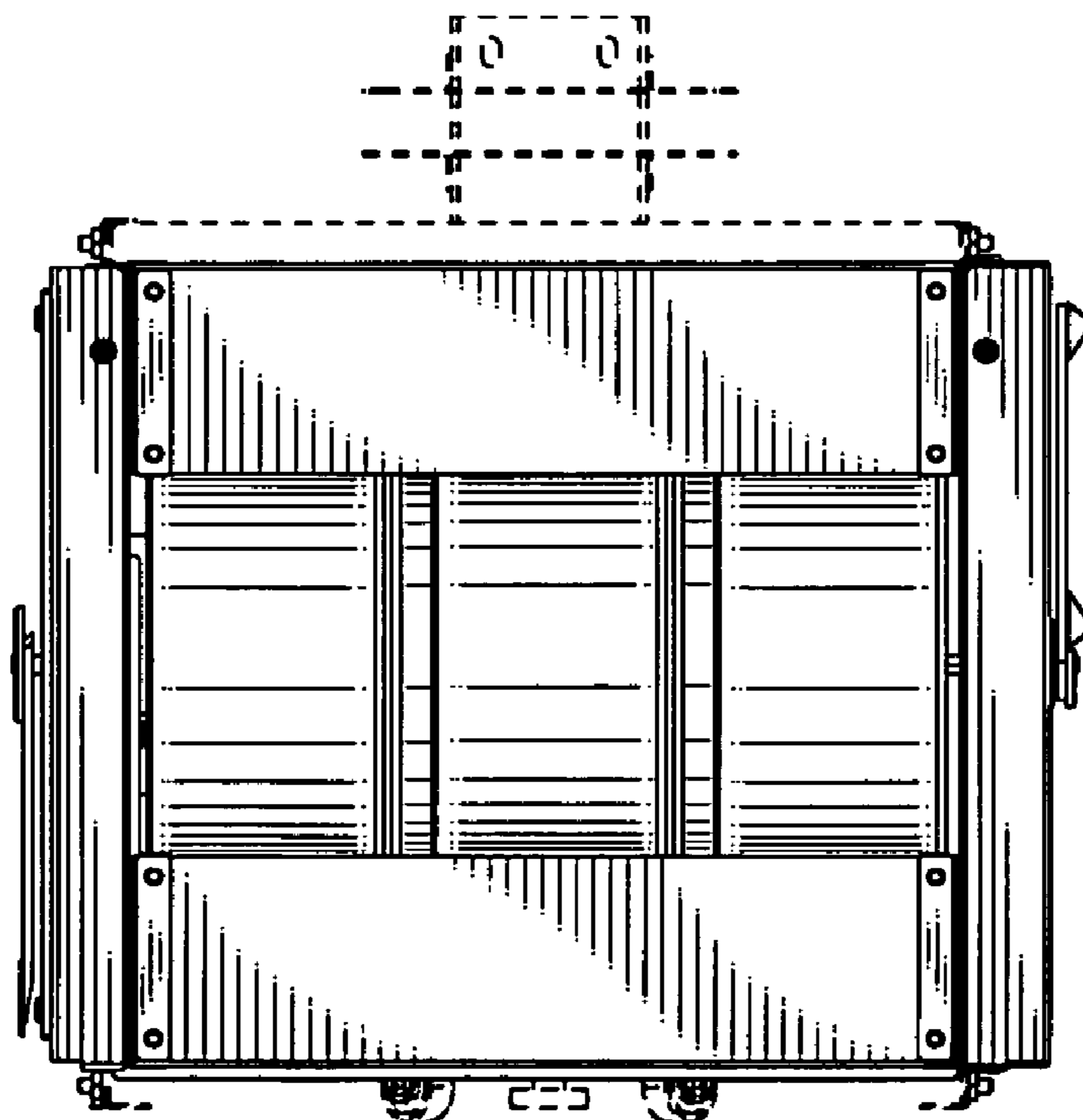
FIG. 4 is a right elevational view thereof;

FIG. 5 is a top plan view thereof; and,

FIG. 6 is a bottom plan view thereof.

The broken lines shown in the drawings illustrate portions of environmental structure and form no part of the claimed design.

1 Claim, 6 Drawing Sheets



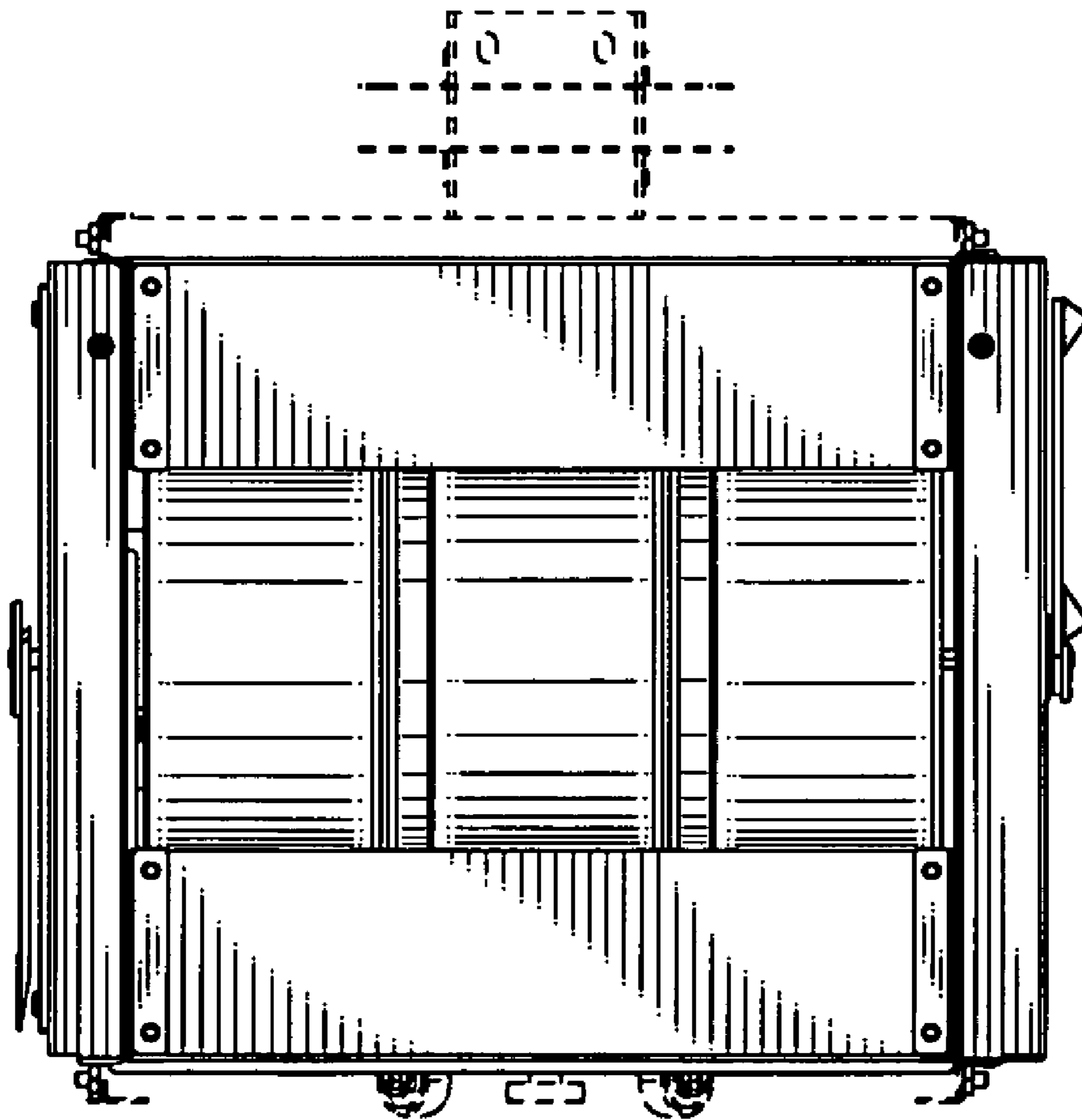


FIG. 1

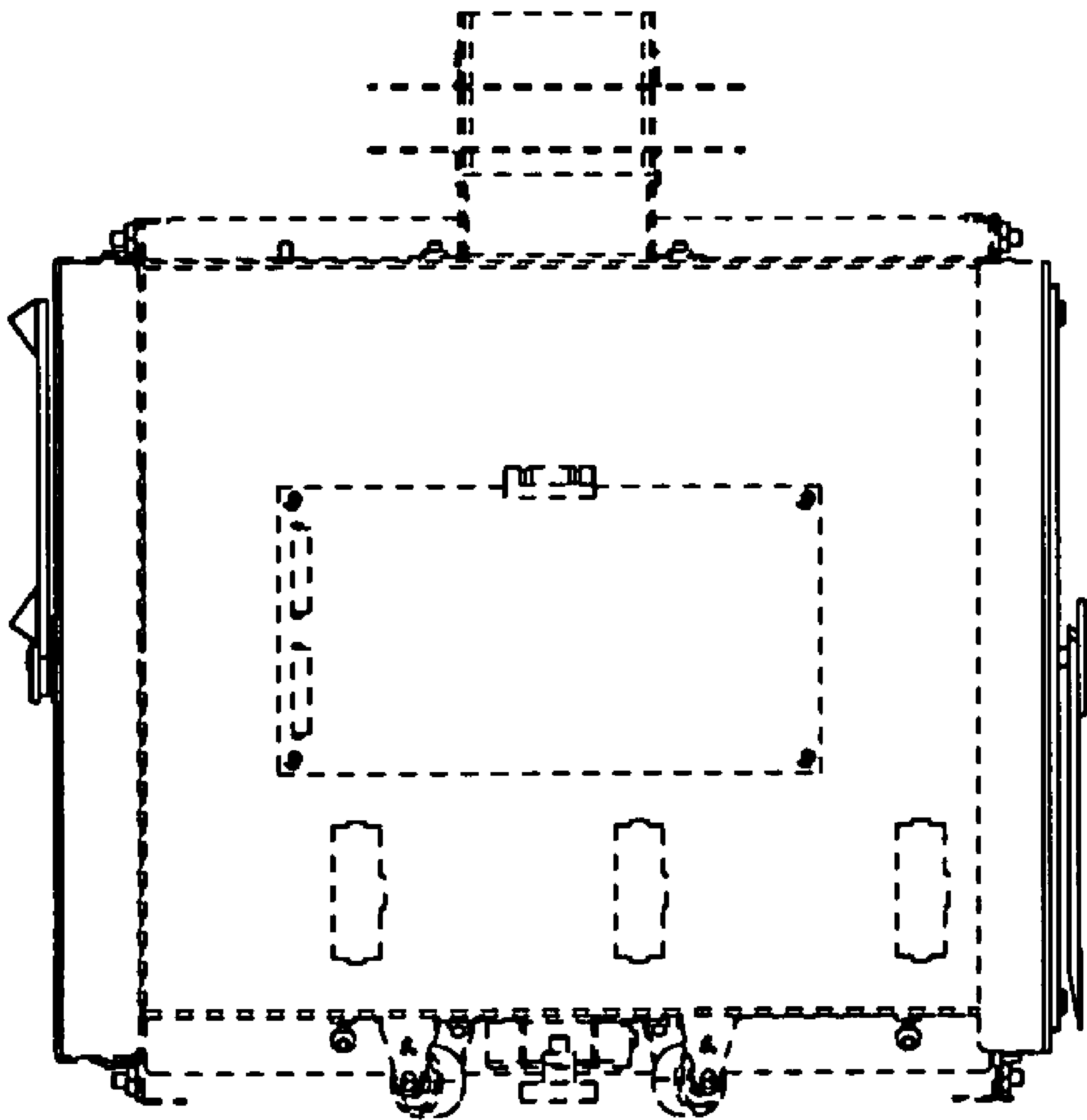


FIG. 2

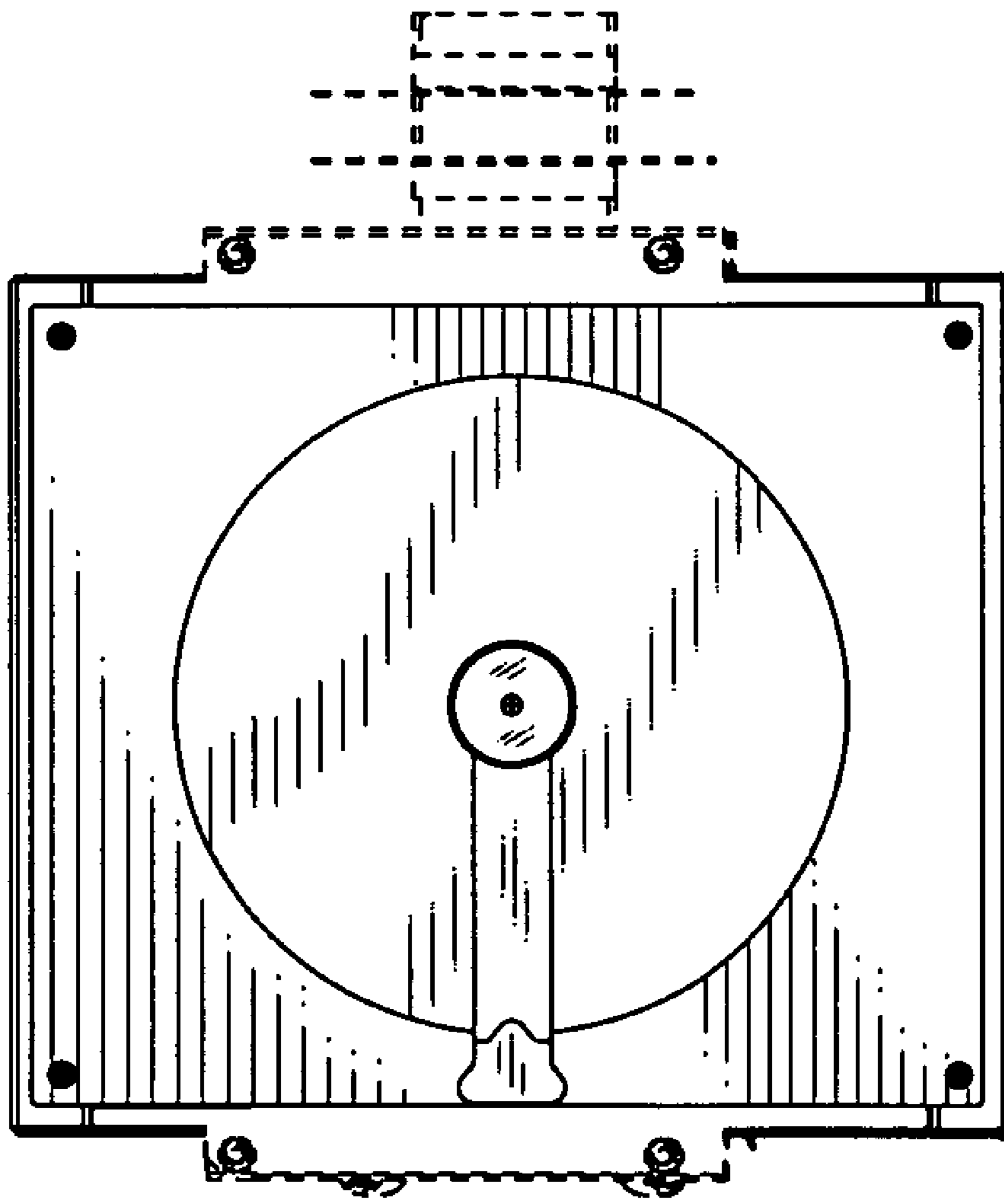


FIG. 3

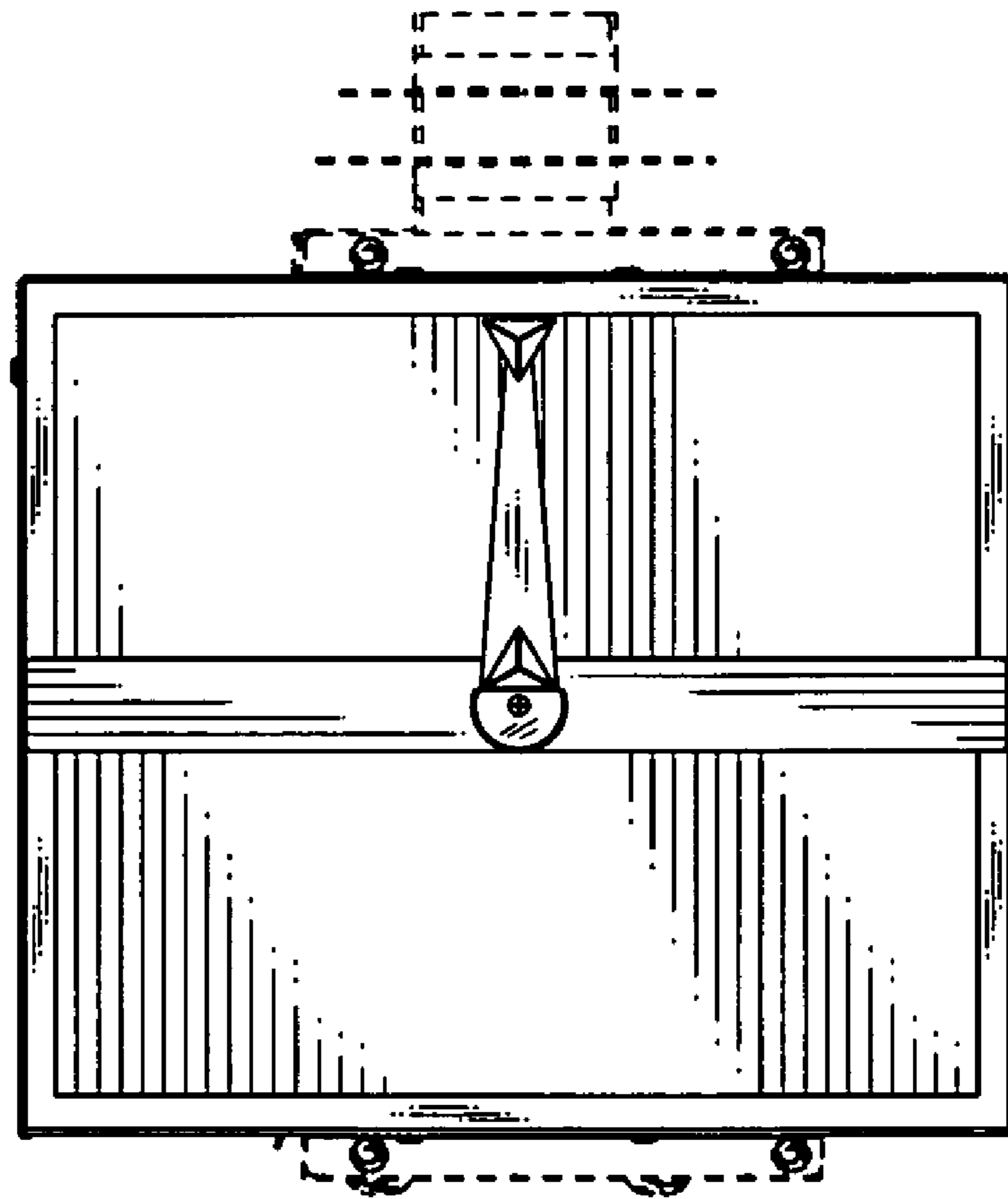


FIG. 4

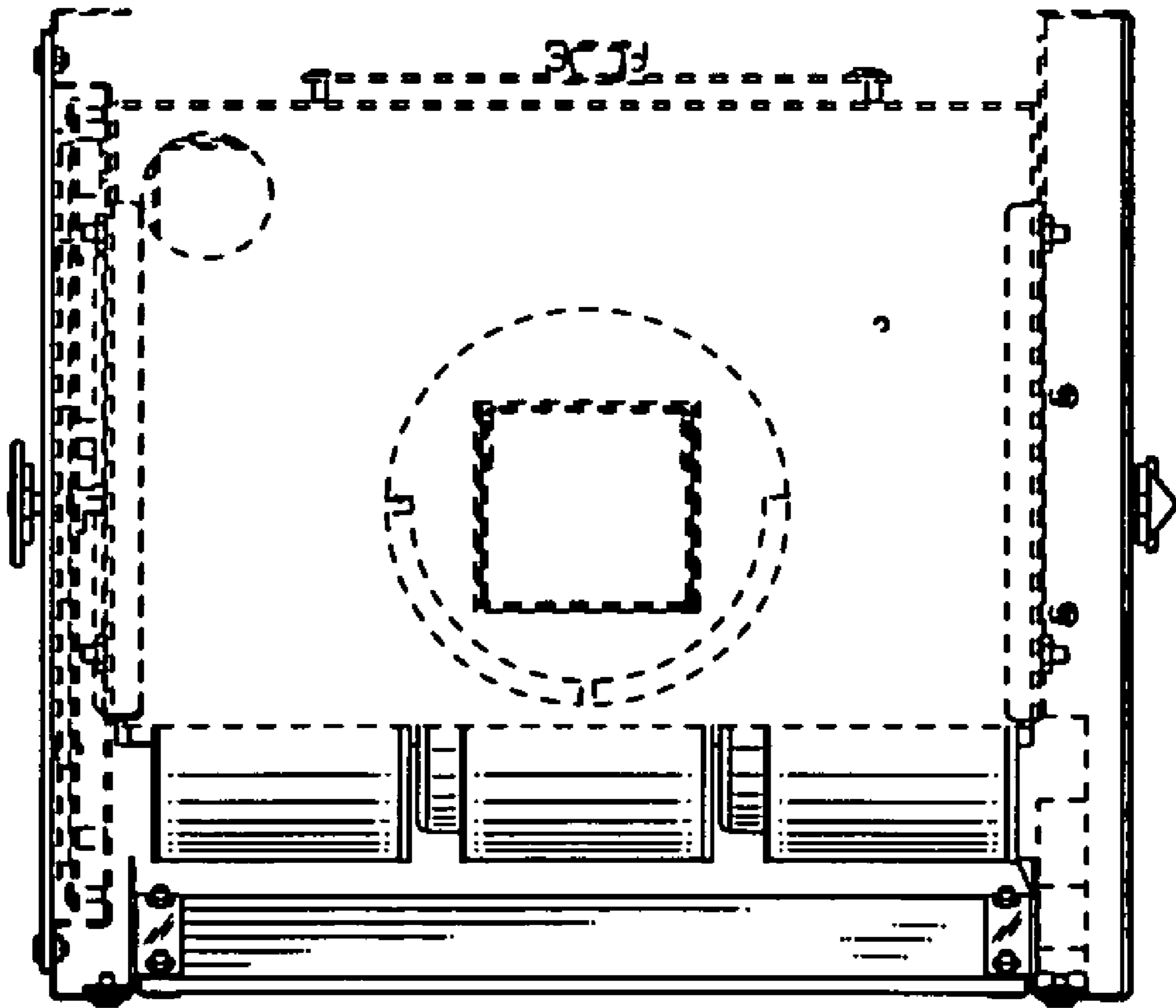


FIG. 5

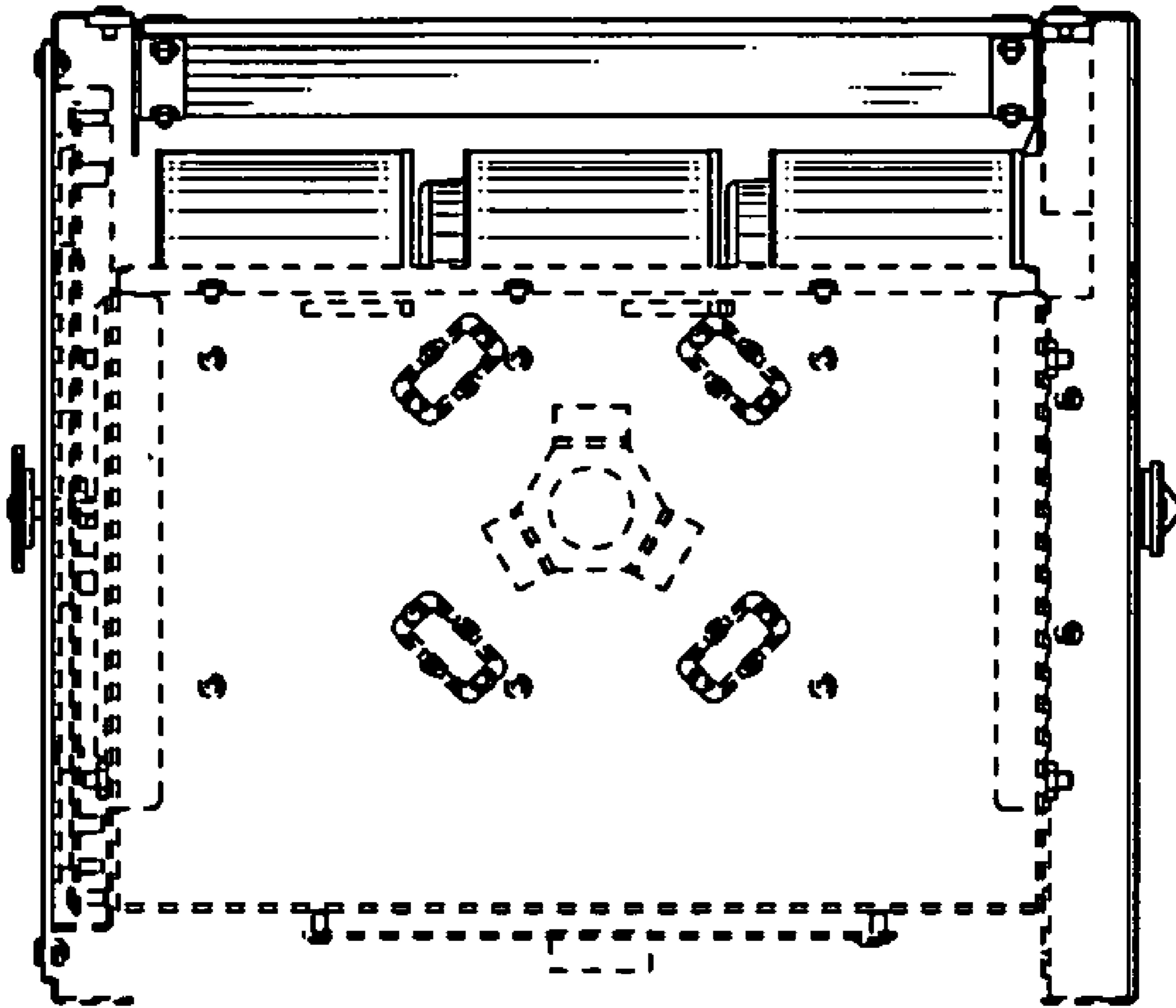


FIG. 6