



US00D602994S

(12) **United States Design Patent**
Logan

(10) **Patent No.:** **US D602,994 S**
(45) **Date of Patent:** **** Oct. 27, 2009**

(54) **OVAL EXIT SIGN**

(75) Inventor: **Mark C. Logan**, Atlanta, GA (US)

(73) Assignee: **ABL IP Holding LLC**, Conyers, GA (US)

(**) Term: **14 Years**

(21) Appl. No.: **29/321,285**

(22) Filed: **Jul. 14, 2008**

(51) **LOC (9) Cl.** **20-03**

(52) **U.S. Cl.** **D20/42**

(58) **Field of Classification Search** D20/10,
D20/17, 19, 21, 40-43, 99; 40/447, 533,
40/541-544, 546, 553, 564, 570, 572, 574,
40/581, 582, 584, 617, 700, 716; D10/104,
D10/109; 52/38; 362/494, 812

See application file for complete search history.

(56) **References Cited**

U.S. PATENT DOCUMENTS

640,140 A	12/1899	Lloyd	
D46,885 S	1/1915	Maixner	
1,465,950 A *	8/1923	Schiller	362/494
1,640,001 A	8/1927	Kolbe	
1,651,084 A	11/1927	Clark	
1,657,705 A	1/1928	Wiley	
D76,614 S	10/1928	Hershman	
1,719,918 A	7/1929	Wetzel	
1,798,199 A *	3/1931	Gans	40/572
1,809,243 A *	6/1931	Kirk	40/553
2,409,957 A	10/1946	Reynolds	
2,517,095 A	8/1950	Dixon	
2,523,290 A *	9/1950	Gardner	40/716
D162,354 S	3/1951	Smith	
D164,598 S	9/1951	Peters	
2,848,829 A	8/1958	Johnson	
3,591,941 A	7/1971	Jaffe, Jr, et al.	
4,229,913 A *	10/1980	Corrigan	52/38
D284,486 S	7/1986	Gransden	
4,994,941 A	2/1991	Wen	
5,536,558 A	7/1996	Shelton	

D399,533 S	10/1998	Krattiger	
D419,604 S	1/2000	Emmett	
6,094,849 A	8/2000	Phillips et al.	
D433,714 S	11/2000	Rosen et al.	
6,190,026 B1	2/2001	Moore	
6,240,665 B1 *	6/2001	Brown et al.	40/570
D456,850 S	5/2002	Fallon	

(Continued)

FOREIGN PATENT DOCUMENTS

EP 0533301 (B1) 3/1993

(Continued)

OTHER PUBLICATIONS

Innovation—"Quarterly of the Industrial Designers Society of America"—© 2007 Industrial Designers Society of American. vol. 26, No. 4, 2007—1 pg.

Primary Examiner—Janice E Seeger

Assistant Examiner—Mary Ann Calabrese

(74) *Attorney, Agent, or Firm*—Kilpatrick, Stockton, LLP

(57) **CLAIM**

The ornamental design for an oval exit sign, as shown and described.

DESCRIPTION

FIG. 1 shows a top perspective view of an oval exit sign according to the present invention.

FIG. 2 shows a front view of the oval exit sign of FIG. 1.

FIG. 3 shows a right side view of the oval exit sign of FIG. 1, the left side view being the same.

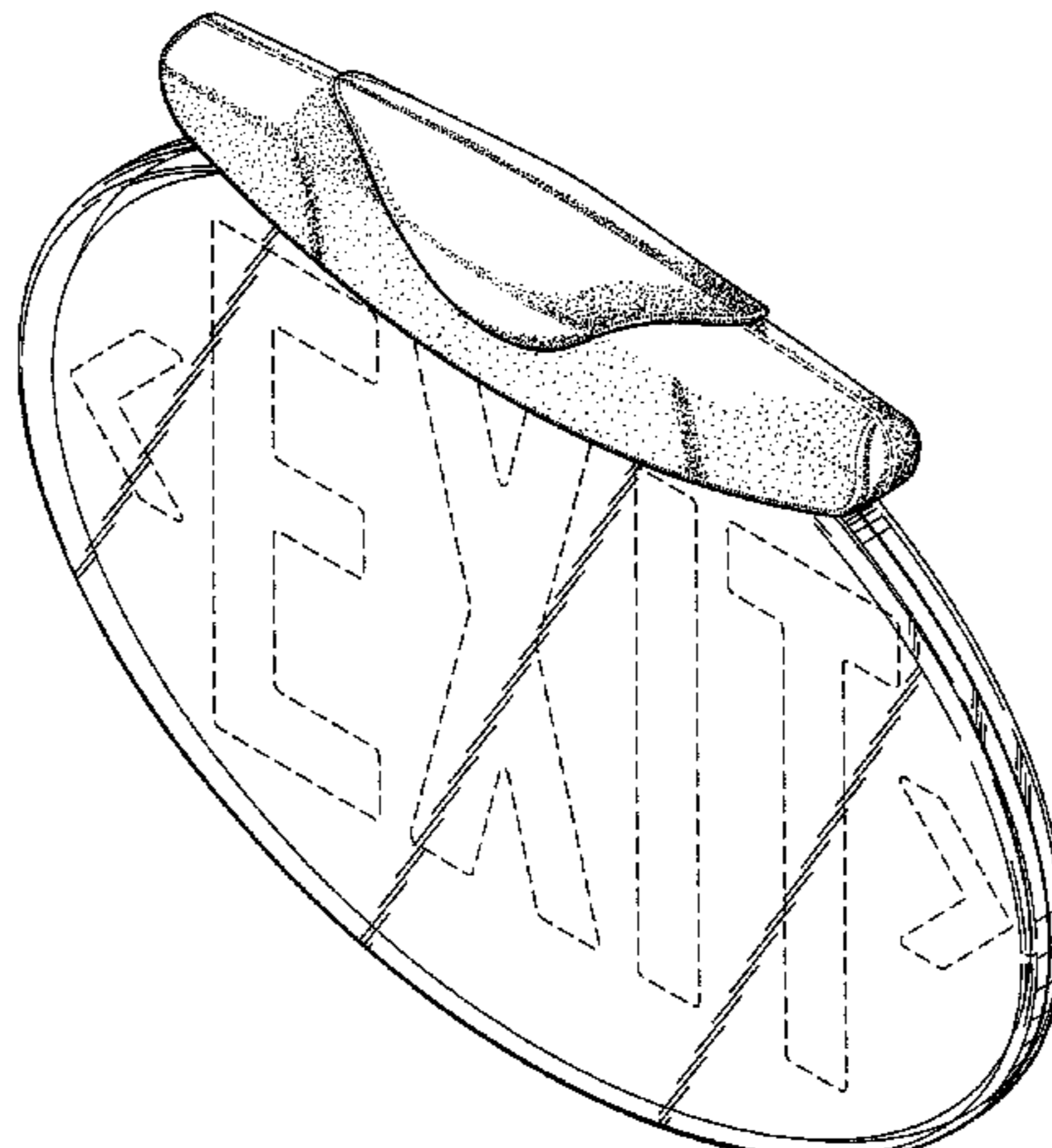
FIG. 4 shows a rear view of the oval exit sign of FIG. 1.

FIG. 5 shows a top view of the oval exit sign of FIG. 1; and,

FIG. 6 shows a bottom view of the oval exit sign of FIG. 1.

Portions or features of the oval exit sign shown in broken lines in the drawings form no part of the claimed design.

1 Claim, 4 Drawing Sheets



US D602,994 S

Page 2

U.S. PATENT DOCUMENTS

D461,847 S 8/2002 Phelps et al.
6,553,701 B1 4/2003 Neisen et al.
D477,032 S 7/2003 Fallon
6,612,055 B2 9/2003 Bradford
6,742,296 B2 6/2004 Johnson et al.
D534,218 S 12/2006 Krikorian et al.
7,182,487 B1 2/2007 Pickard et al.
7,192,148 B2 3/2007 Tsai et al.
D544,038 S 6/2007 Kaoh et al.
D545,907 S 7/2007 Nelson
D545,909 S 7/2007 Jacobs et al.
7,246,932 B2 7/2007 Burtsev et al.
D548,795 S 8/2007 Bourgeois et al.

D549,784 S * 8/2007 Bourgeois et al. D20/42
D553,691 S 10/2007 Lane
7,287,347 B2 * 10/2007 Hasan 40/553
2003/0208939 A1 11/2003 Banman
2004/0064991 A1 4/2004 Gow
2007/0113442 A1 5/2007 Holst
2007/0175076 A1 8/2007 Stanley

FOREIGN PATENT DOCUMENTS

JP 2002-286941 10/2002
WO WO89/11713 11/1989
WO WO03/036597 5/2003

* cited by examiner

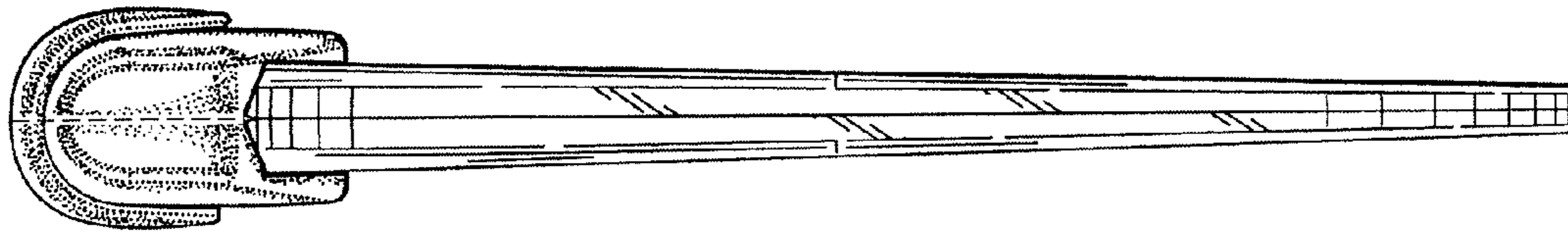


FIG. 3

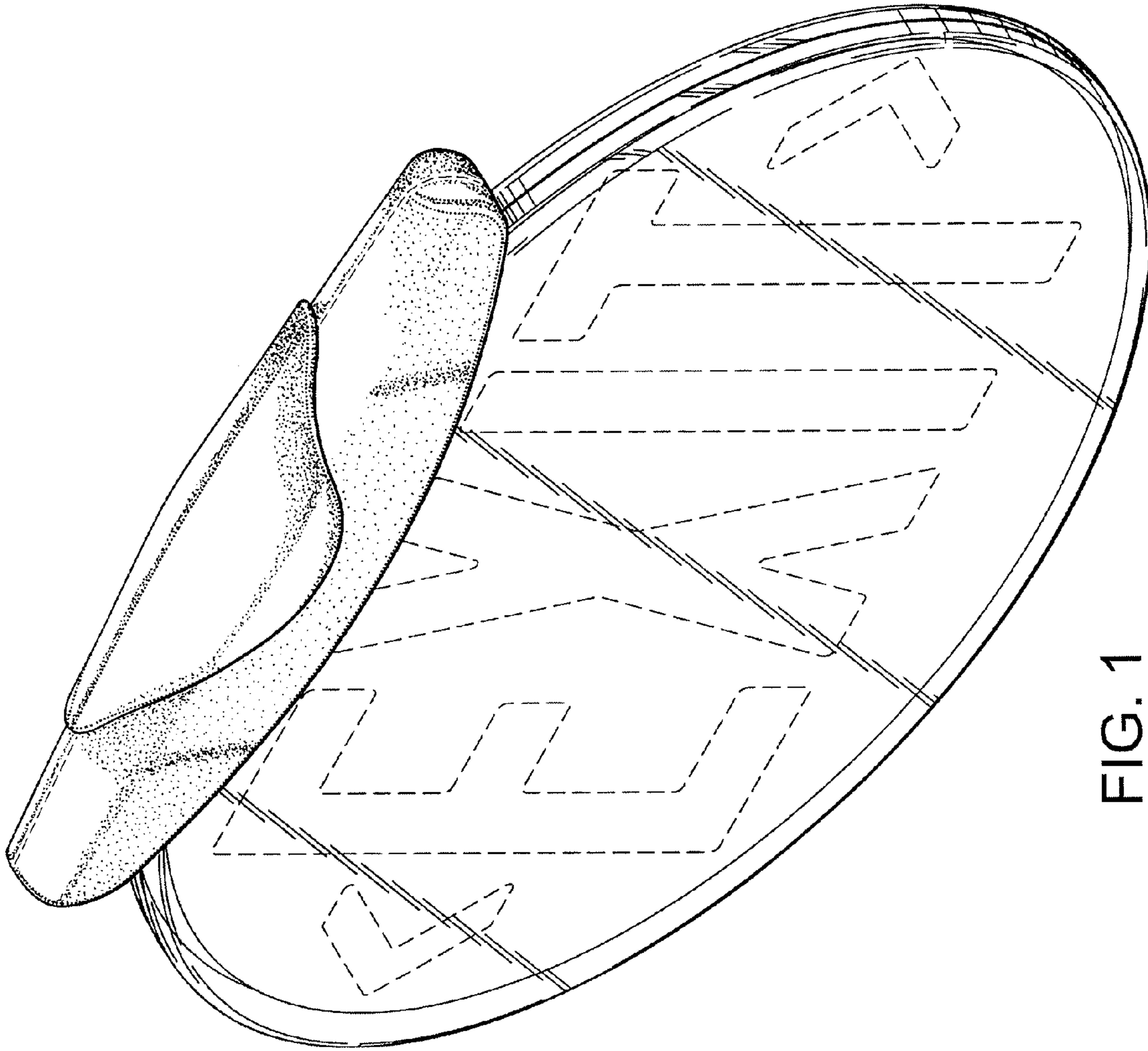


FIG. 1

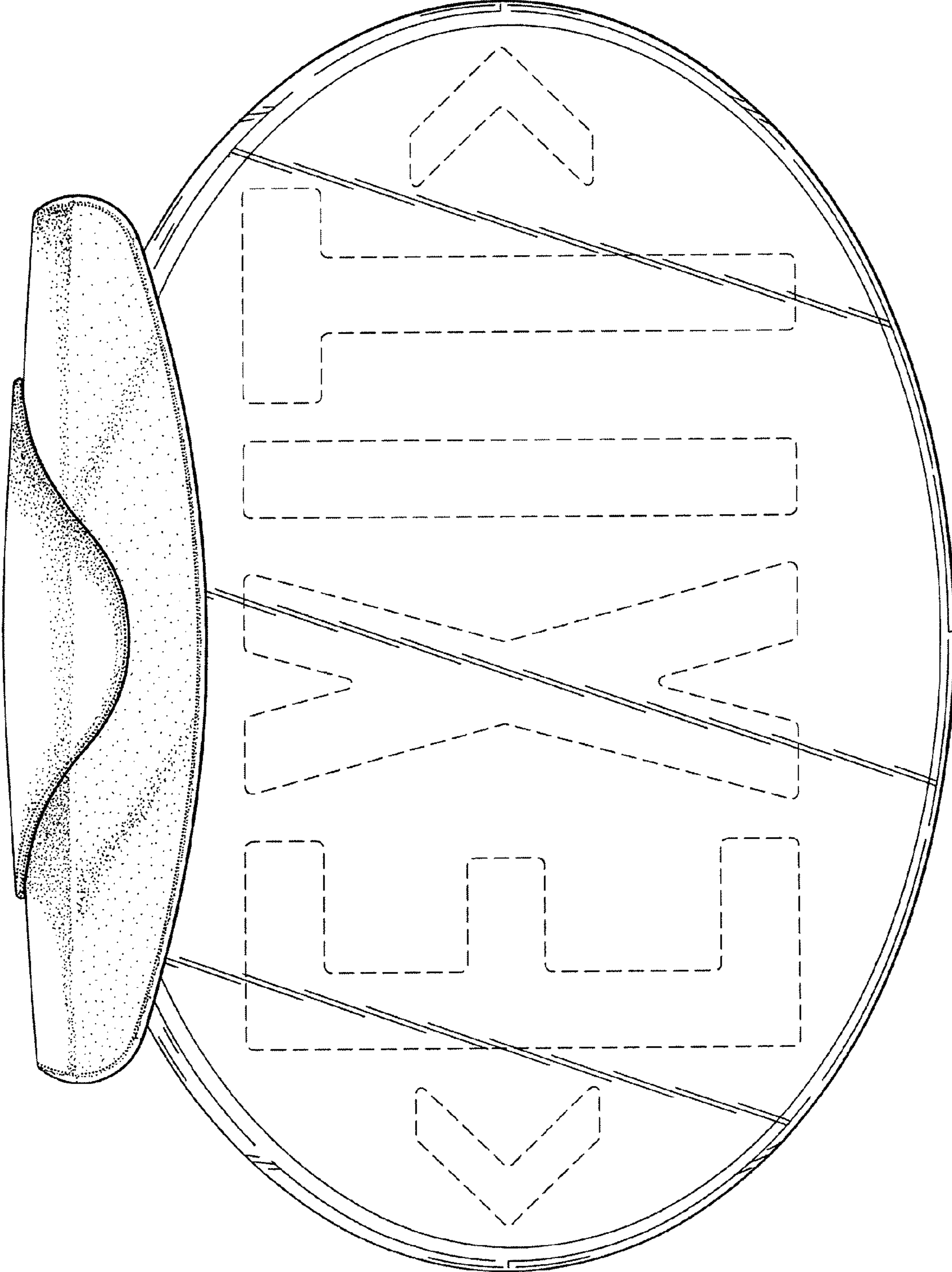


FIG. 2

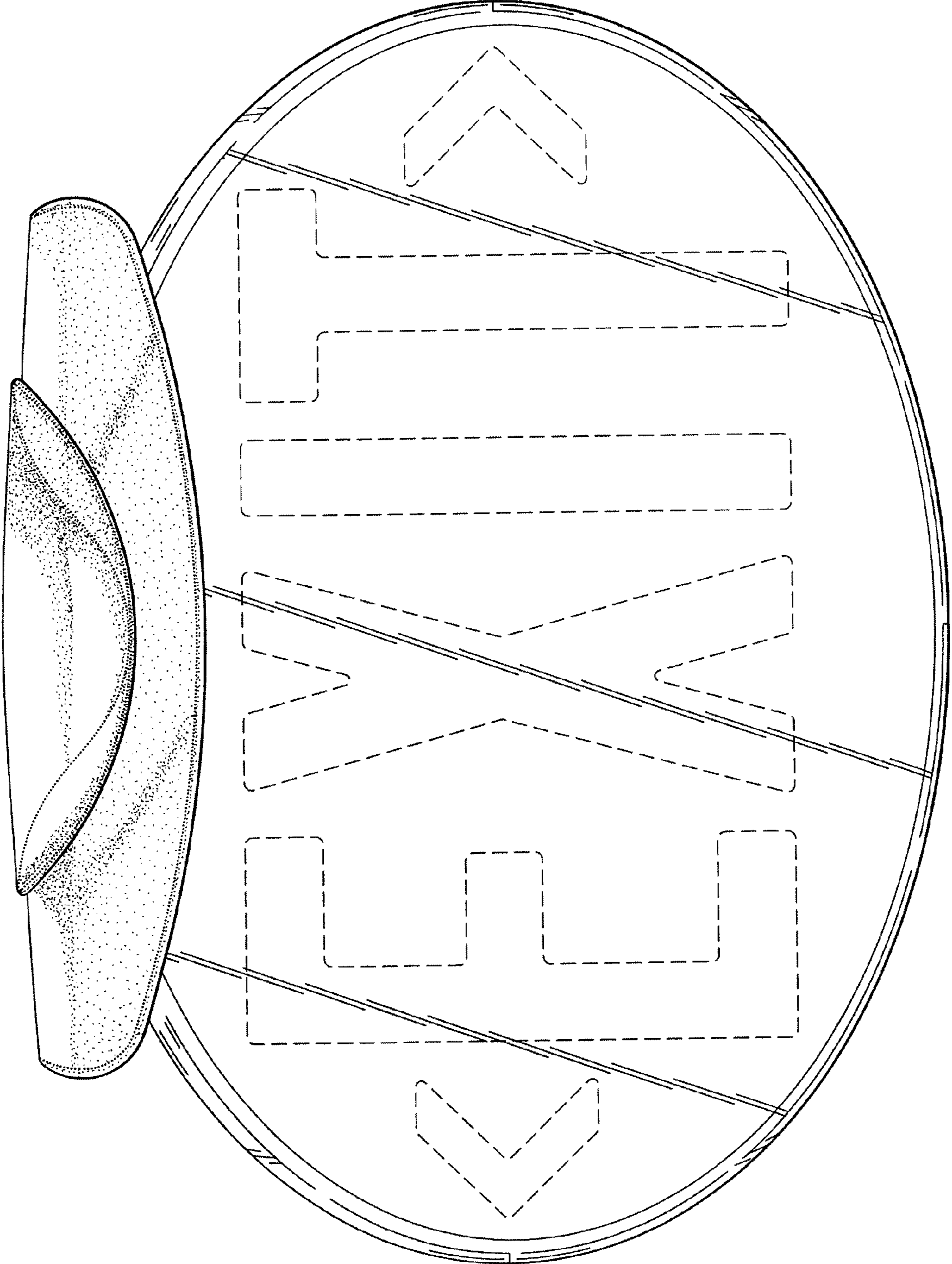


FIG. 4

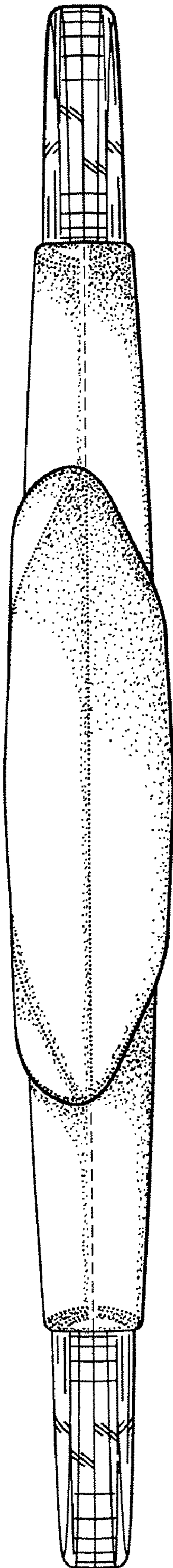


FIG. 5

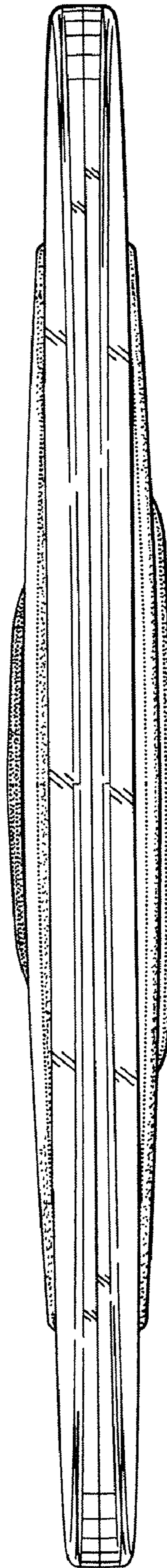


FIG. 6