



US00D602993S

(12) **United States Design Patent**
Giugiaro

(10) **Patent No.:** **US D602,993 S**
(45) **Date of Patent:** **** Oct. 27, 2009**

(54) **COMBINED INFORMATION AND ADVERTISING PANEL**

(75) Inventor: **Giorgetto Giugiaro**, Moncalieri-Turin (IT)

(73) Assignee: **Cemusa Corporacion Europea de Mobiliario Urbano, S.A.**, Madrid (ES)

(**) Term: **14 Years**

(21) Appl. No.: **29/329,003**

(22) Filed: **Dec. 5, 2008**

Related U.S. Application Data

(62) Division of application No. 29/285,196, filed on Mar. 22, 2007.

(30) **Foreign Application Priority Data**

Sep. 22, 2006 (EM) 000593702

(51) **LOC (9) Cl.** **20-02**

(52) **U.S. Cl.** **D20/41**

(58) **Field of Classification Search** D20/10, D20/15, 17-19, 29, 34, 39, 41, 43, 99; 40/541, 40/563, 564, 584, 603, 606.18, 607.1-607.3, 40/607.05, 607.09, 608, 610, 624; D6/451, D6/462, 466, 487, 495, 499; D21/694; D99/29, D99/32; 248/156; 362/812

See application file for complete search history.

(56) **References Cited**

U.S. PATENT DOCUMENTS

965,097 A * 7/1910 Fisher 40/603

D188,306 S * 7/1960 Cothorn D20/41
D412,953 S * 8/1999 Armstrong D21/694
D470,892 S * 2/2003 Linko, Sr. D20/41
D573,370 S * 7/2008 Pauk et al. D6/466
D575,554 S * 8/2008 Calabria et al. D6/462
7,437,844 B1 * 10/2008 Kennedy 40/607.03

* cited by examiner

Primary Examiner—Janice E Seeger

Assistant Examiner—Mary Ann Calabrese

(74) *Attorney, Agent, or Firm*—Kenyon & Kenyon LLP

(57) **CLAIM**

The ornamental design for a combined information and advertising panel, as shown and described.

DESCRIPTION

FIG. 1 is a front perspective view of a combined information and advertising panel showing my new design.

FIG. 2 is a reduced scale front elevational view thereof.

FIG. 3 is a right elevational side view thereof.

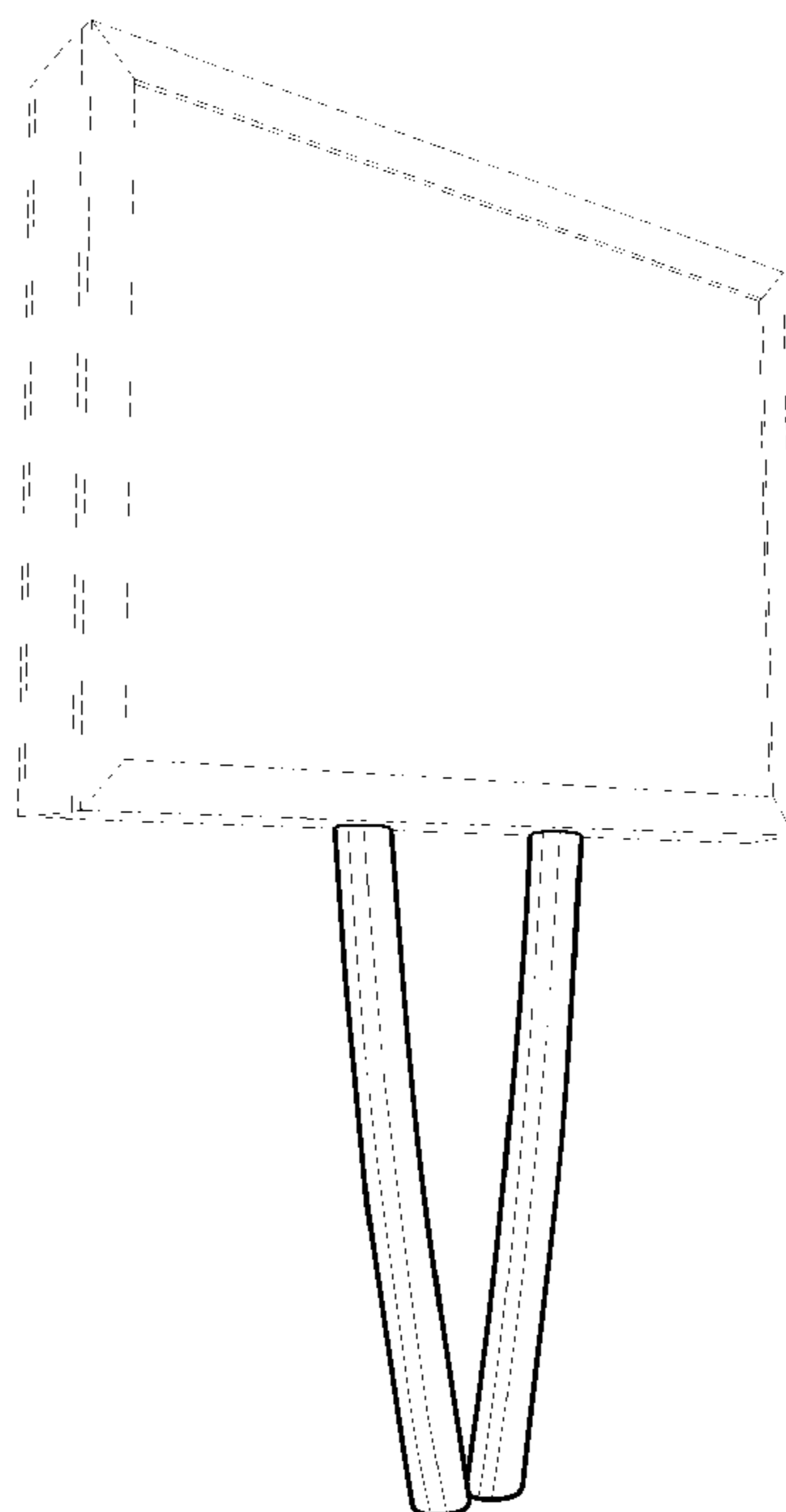
FIG. 4 is a left elevational side view thereof.

FIG. 5 is a top plan view thereof; and,

FIG. 6 is a rear elevational view thereof.

The broken line showing of portions of the combined information and advertising panel, form no part of the claimed design.

1 Claim, 6 Drawing Sheets



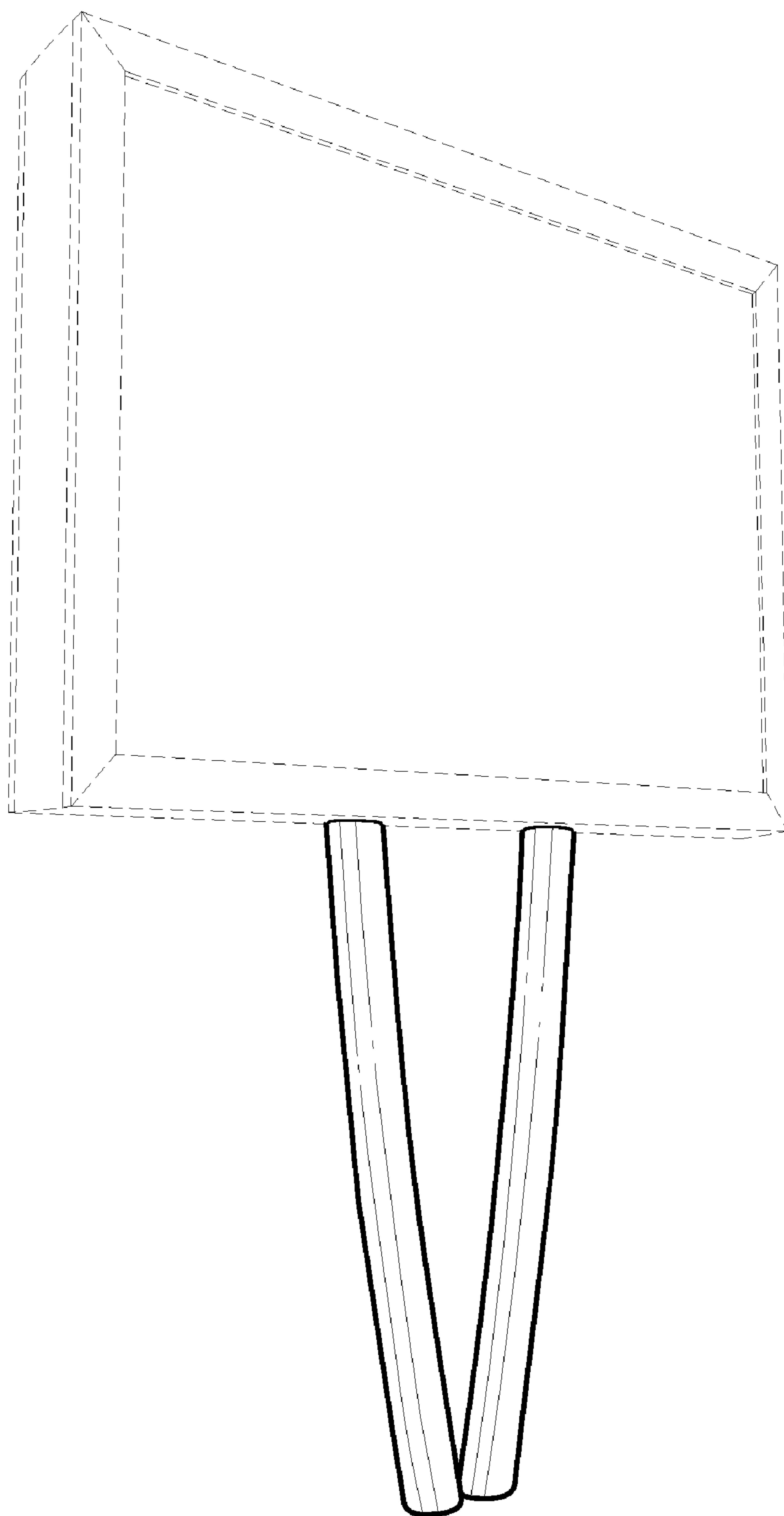


FIG. 1

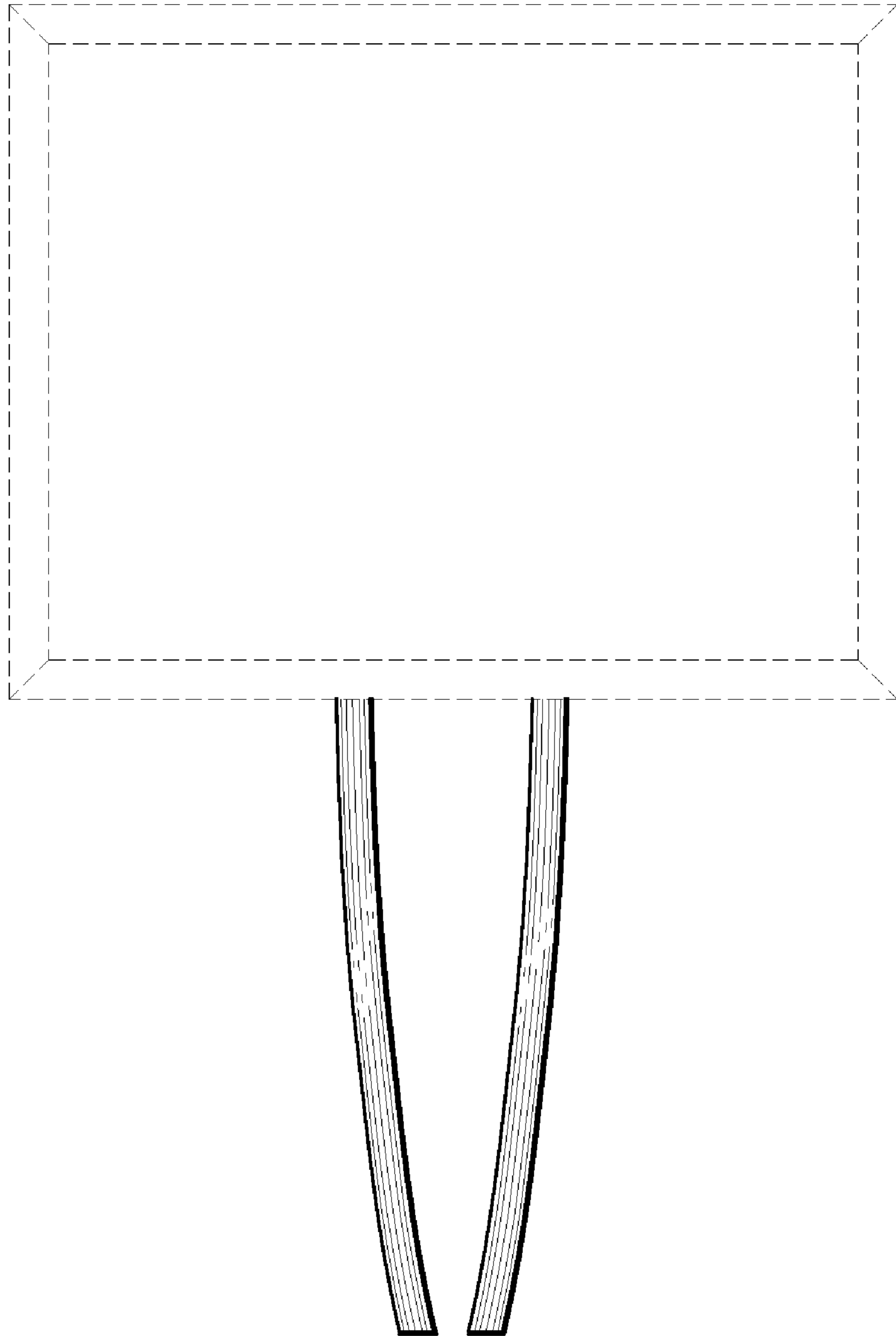


FIG. 2

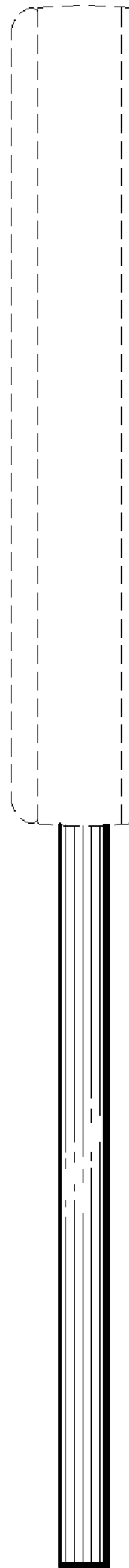


FIG. 3

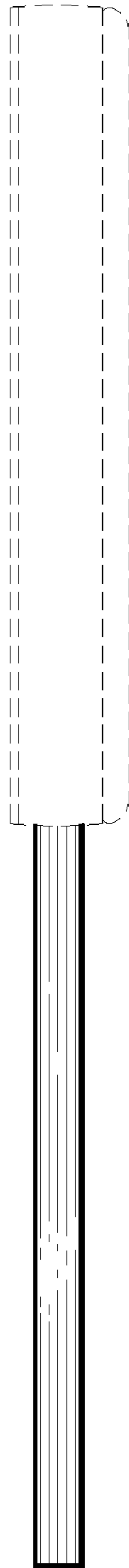


FIG.4

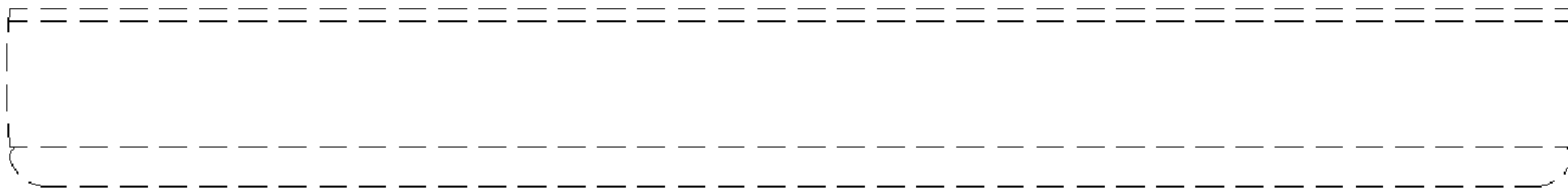


FIG. 5

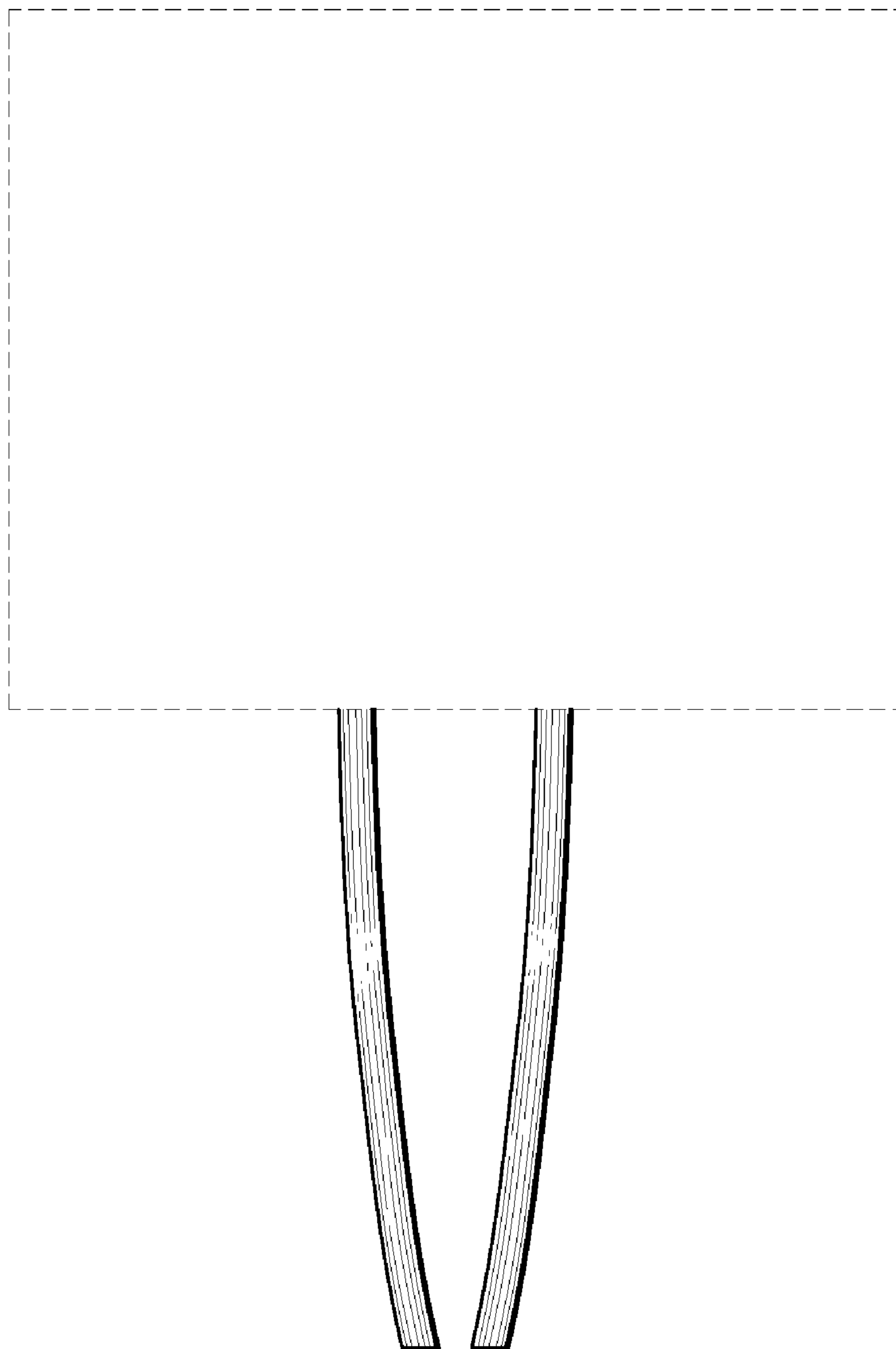


FIG. 6