



US00D602990S

(12) **United States Design Patent**
Magera

(10) **Patent No.:** **US D602,990 S**
(45) **Date of Patent:** **** Oct. 27, 2009**

(54) **PLANT IDENTIFICATION STAKE**
(76) Inventor: **Michelle G. Magera**, 3004 S. 9th Ave.,
Sioux Falls, SD (US) 57105
(**) Term: **14 Years**
(21) Appl. No.: **29/321,124**
(22) Filed: **Jul. 11, 2008**
(51) **LOC (9) Cl.** **19-08**
(52) **U.S. Cl.** **D20/22**
(58) **Field of Classification Search** D20/10,
D20/19, 22, 23, 26, 28, 41, 99; 40/124.5,
40/299.01, 300, 305-307, 329, 638, 642.02,
40/645, 661, 662, 672; D8/1, 349, 388, 391;
D10/66, 109; D11/47; D19/1-3; D99/18;
24/707.2; 33/293; 52/103; 283/56, 58, 71,
283/81, 116; 412/1
See application file for complete search history.

D402,863 S * 12/1998 Hickmott D8/1
D402,908 S * 12/1998 Machen et al. D10/109
D419,836 S 2/2000 Gailey
6,253,478 B1 7/2001 Kalavity
6,327,804 B1 12/2001 Shaw
6,401,408 B1 6/2002 Schwartz et al.
D473,595 S * 4/2003 Fisher D20/22
6,553,701 B1 4/2003 Neisen et al.
D483,405 S * 12/2003 Bratter et al. D19/2
6,698,119 B2 * 3/2004 Jacob et al. 40/300
6,729,059 B1 5/2004 Overdevest et al.
D491,029 S * 6/2004 Atkins et al. D8/1

FOREIGN PATENT DOCUMENTS

WO WO 9319447 A1 * 9/1993

* cited by examiner

Primary Examiner—Janice E Seeger
Assistant Examiner—Mary Ann Calabrese

(57) **CLAIM**

The ornamental design for a plant identification stake, as shown and described.

DESCRIPTION

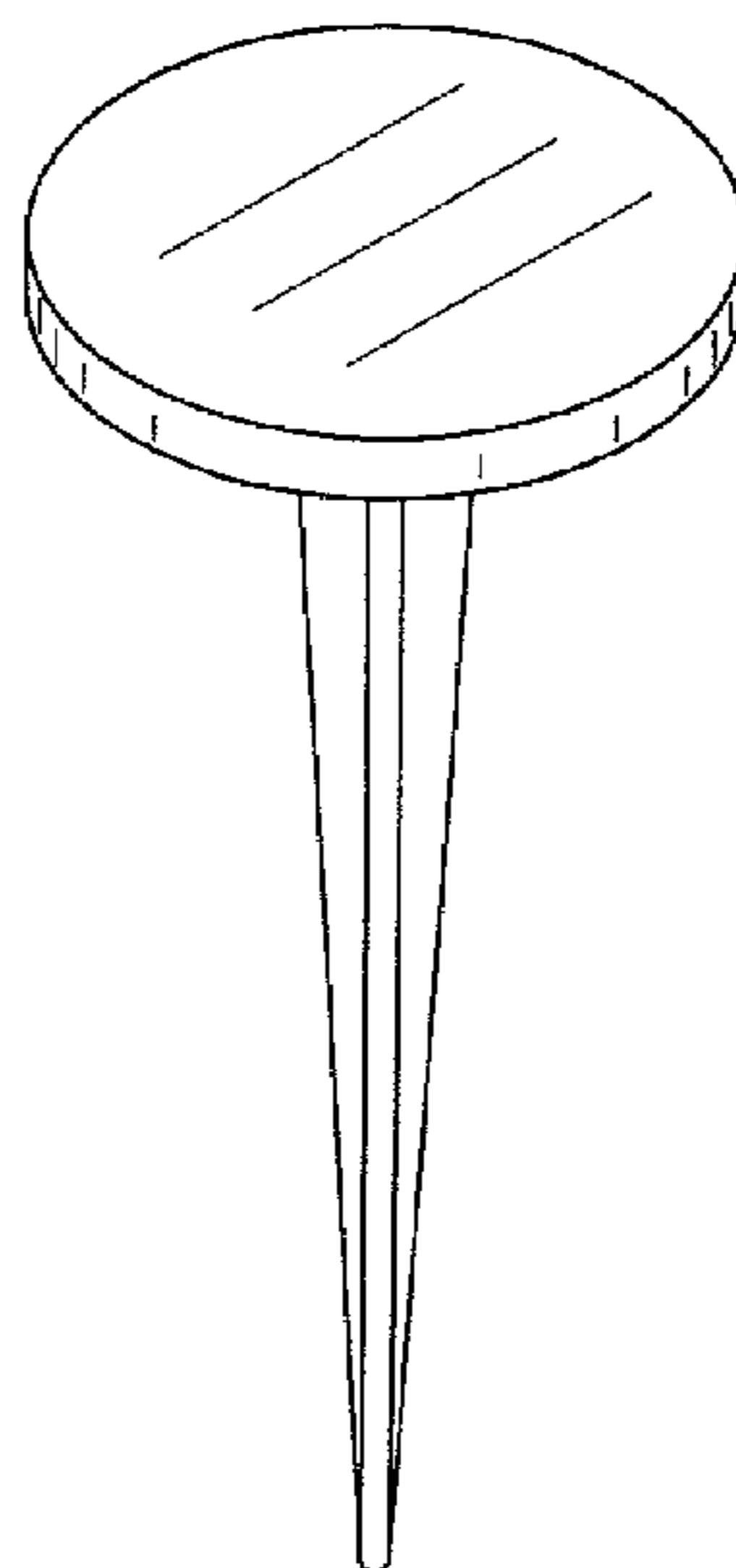
FIG. 1 is a top perspective view of a plant identification stake showing my new design;
FIG. 2 is a bottom perspective view of the plant identification stake;
FIG. 3 is a side elevational view of the plant identification stake;
FIG. 4 is a bottom plan view of the plant identification stake; and,
FIG. 5 is a perspective top view of the plant identification stake shown in use.
In the drawings, the broken lines illustrate the environmental in which the plant identification stake is used and form no part of the claimed design.

1 Claim, 3 Drawing Sheets

(56) **References Cited**

U.S. PATENT DOCUMENTS

526,590 A * 9/1894 Terrill 40/672
914,460 A * 3/1909 Selden 283/58
1,902,875 A * 3/1933 Mason 52/103
1,950,298 A * 3/1934 Frost 40/124.5
2,207,180 A * 7/1940 Smith et al. 40/645
3,733,658 A * 5/1973 Mitchell 24/707.2
4,079,530 A 3/1978 Atherton et al.
D253,389 S 11/1979 South, Jr.
4,185,424 A 1/1980 Streit
4,196,533 A 4/1980 Kamphausen
4,302,125 A 11/1981 Cullen, Jr.
4,304,059 A 12/1981 Tisbo et al.
D269,768 S * 7/1983 Terry D11/47
D282,711 S 2/1986 Nelson
4,731,943 A * 3/1988 Schlichter 40/645
4,970,795 A * 11/1990 Woodward et al. 33/293
D314,493 S 2/1991 Keane
5,044,200 A 9/1991 Dailey et al.
5,636,957 A * 6/1997 Hefty 412/1



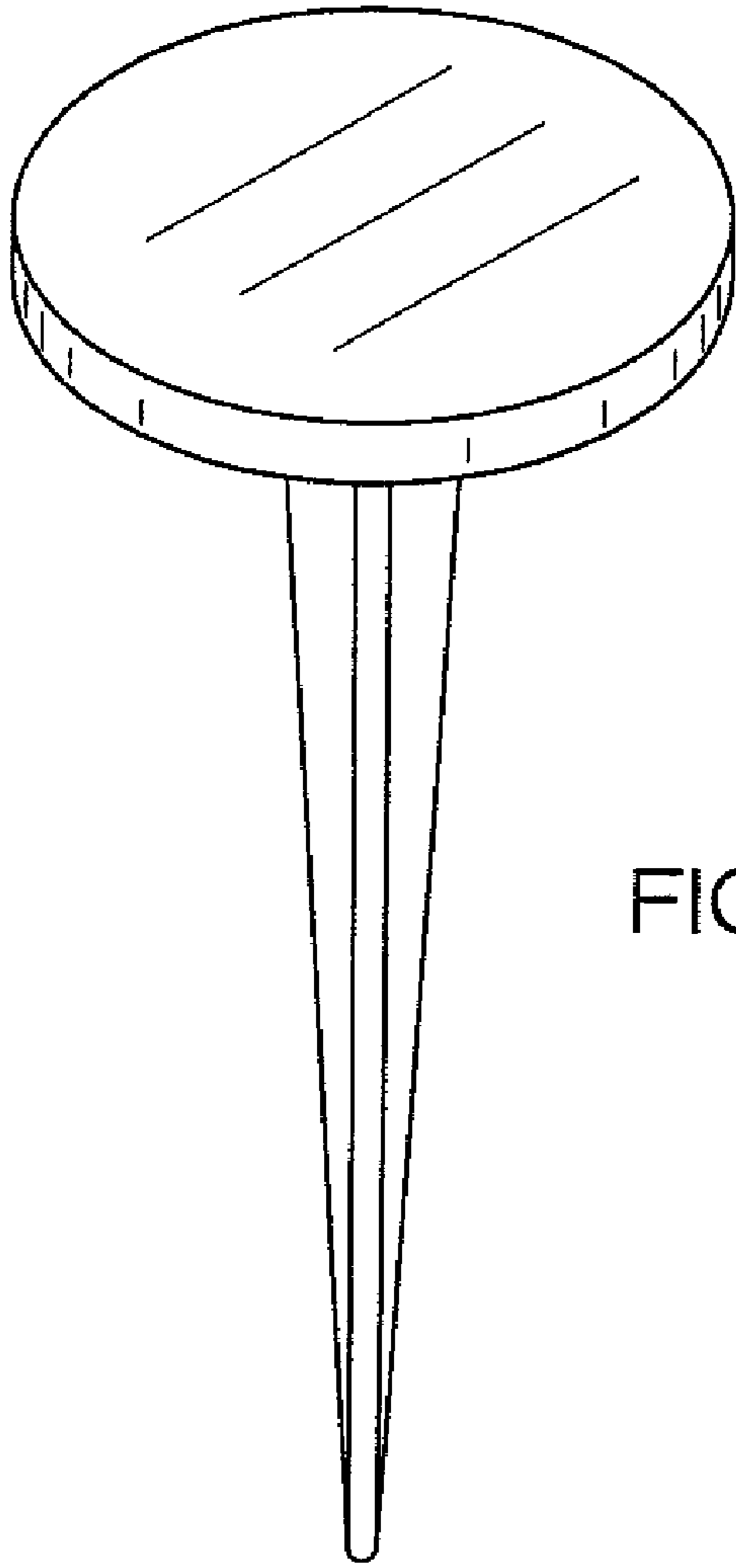


FIG. 1

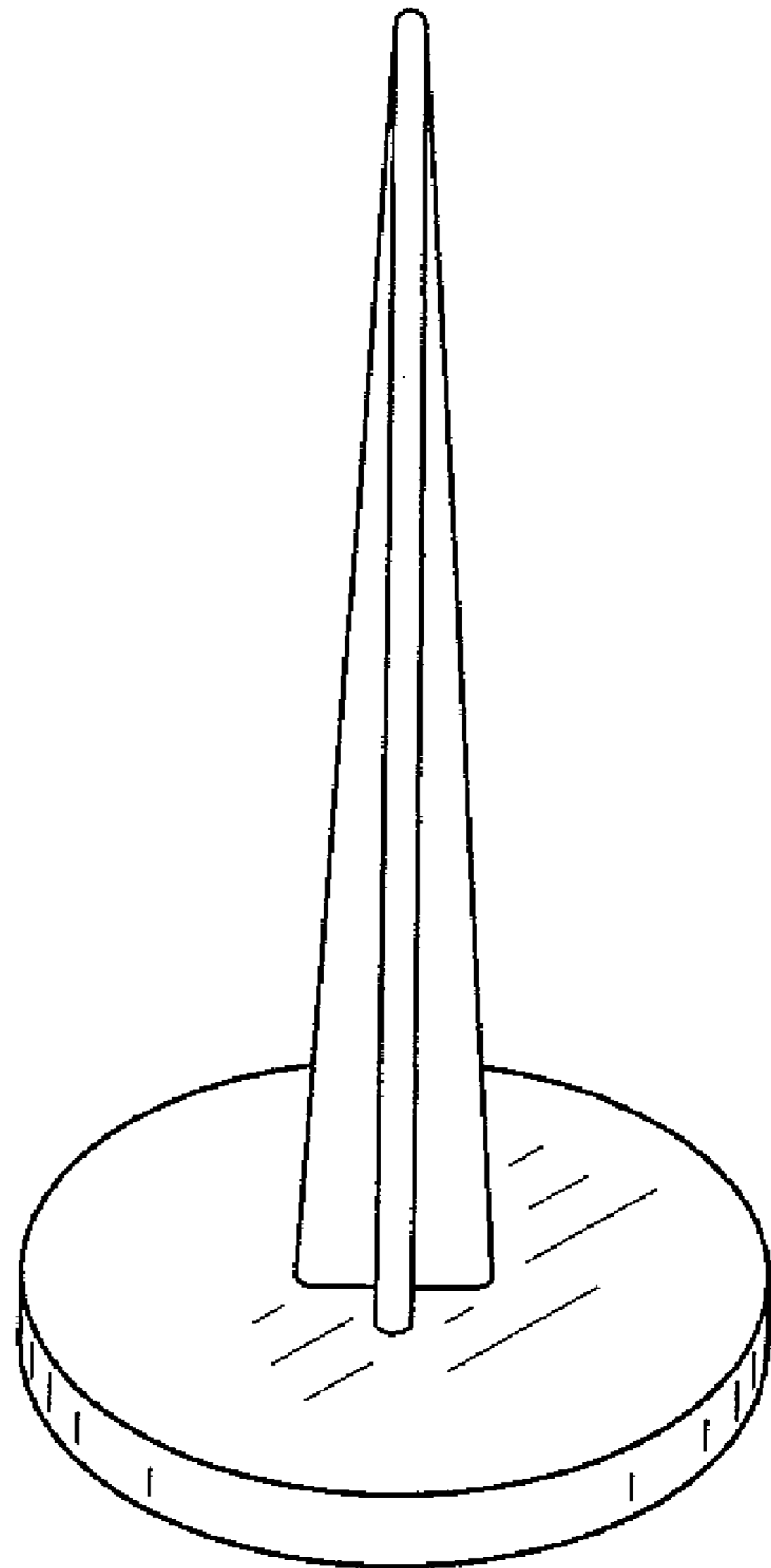


FIG. 2

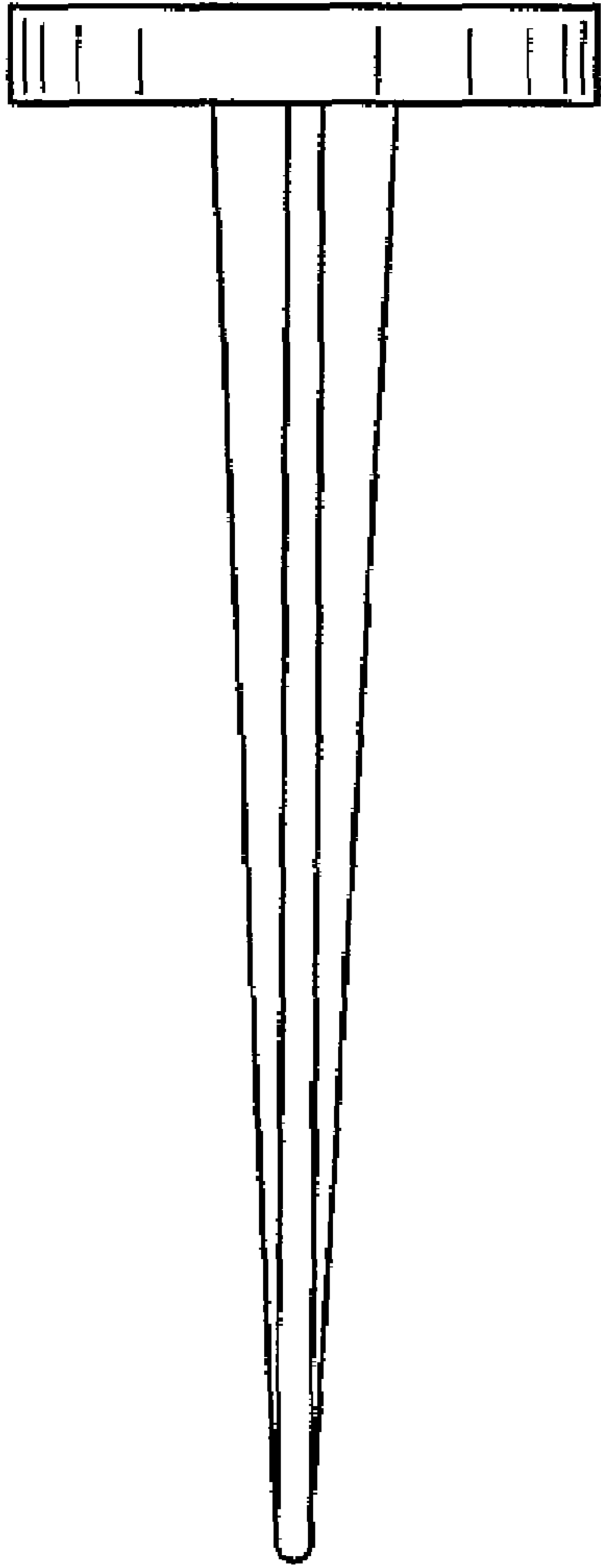


FIG. 3

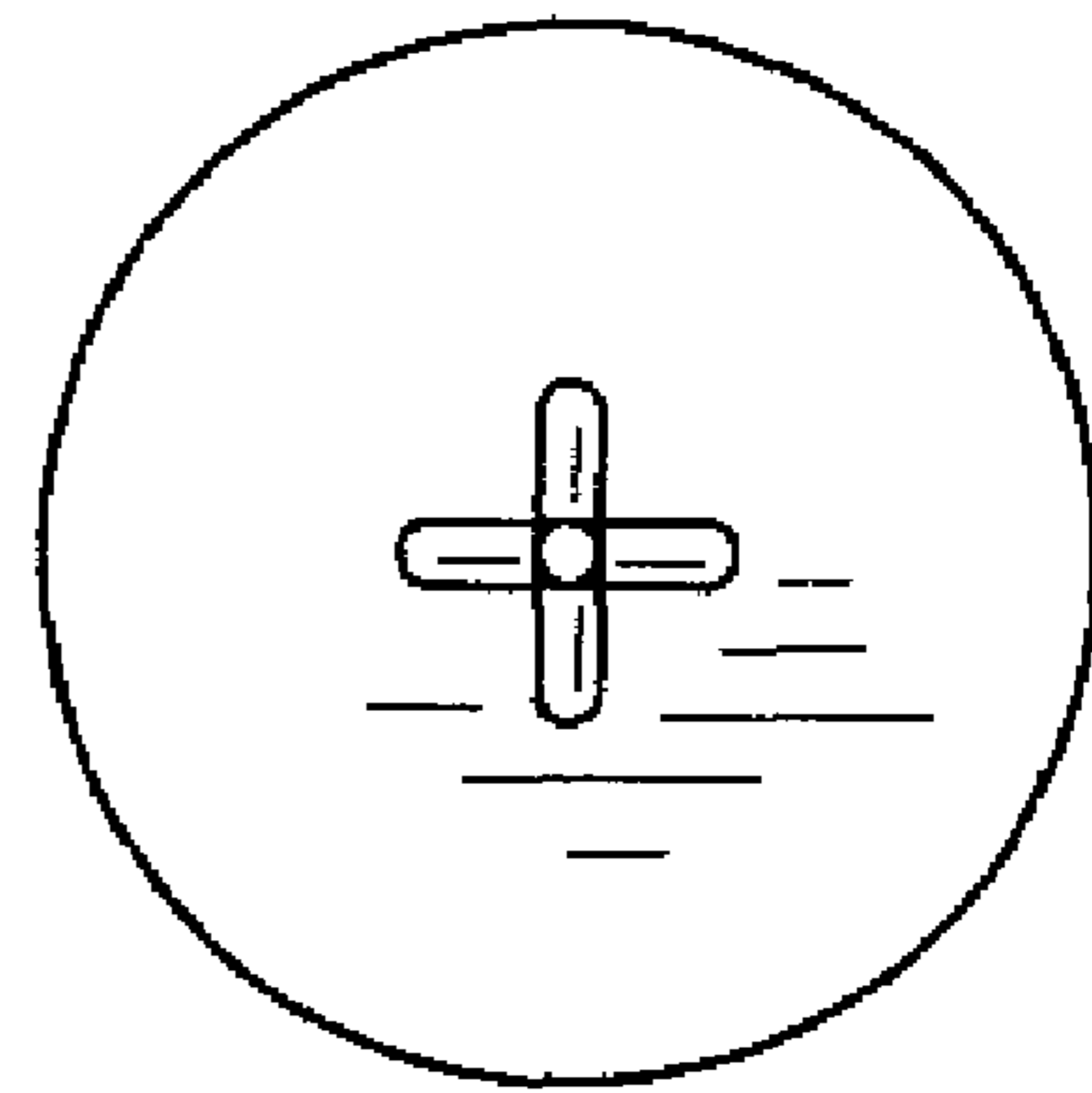


FIG. 4

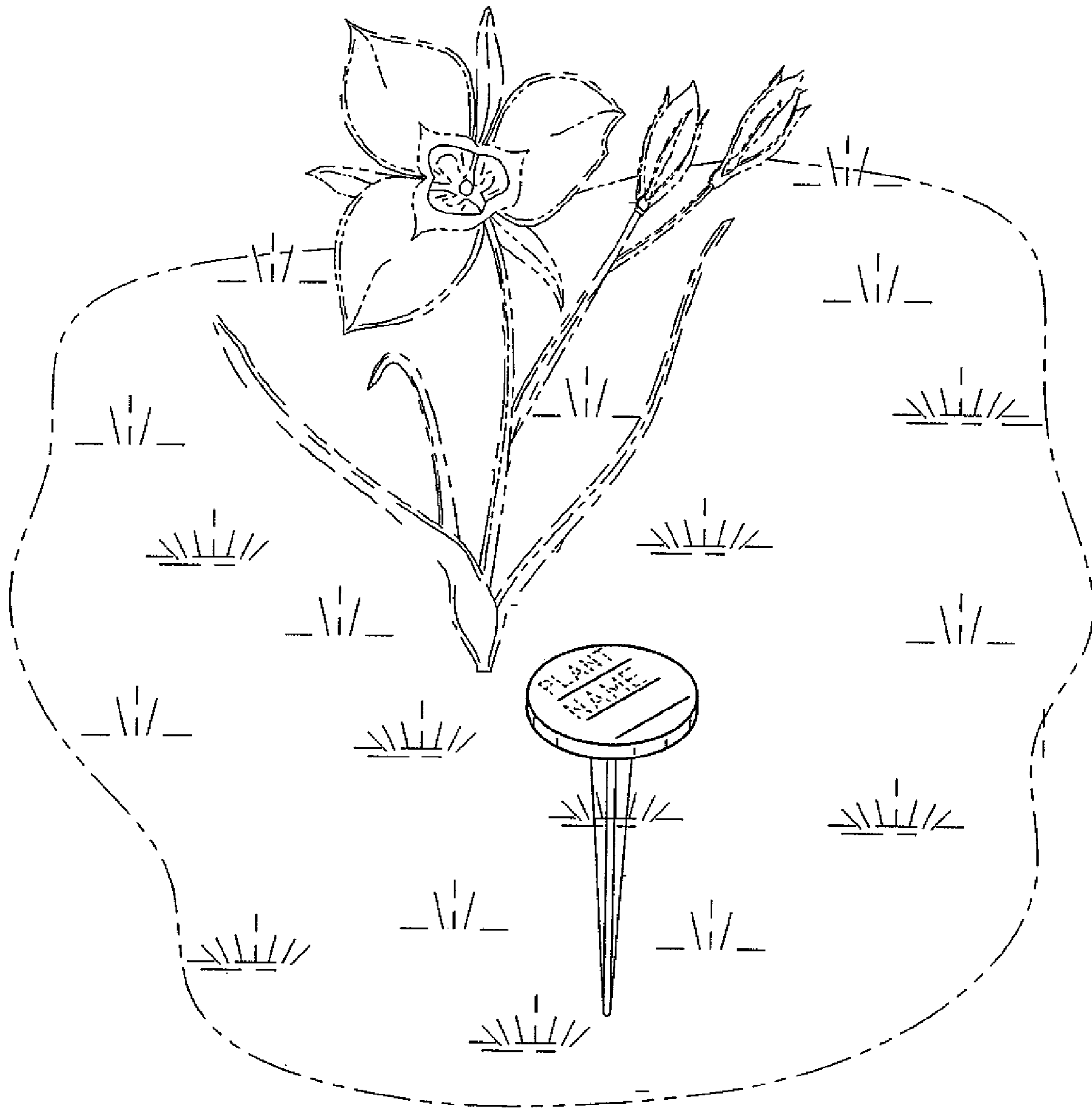


FIG. 5