



US00D602984S

(12) **United States Design Patent**
Yoshizawa

(10) **Patent No.:** **US D602,984 S**

(45) **Date of Patent:** **** Oct. 27, 2009**

(54) **TONER CARTRIDGE HOLDER**

(75) Inventor: **Hideo Yoshizawa**, Saitama (JP)

(73) Assignee: **Ricoh Company, Ltd.**, Tokyo (JP)

(**) Term: **14 Years**

(21) Appl. No.: **29/304,163**

(22) Filed: **Feb. 26, 2008**

(30) **Foreign Application Priority Data**

Aug. 30, 2007 (JP) 2007-023492

(51) **LOC (9) Cl.** **16-03**

(52) **U.S. Cl.** **D18/43**

(58) **Field of Classification Search** D14/462,
D14/471, 474, 475; D18/12, 36, 40, 43,
D18/44, 56; 222/DIG. 1; 347/49, 197, 214,
347/222; 399/24-27, 107-112, 119, 121,
399/122, 222-224

See application file for complete search history.

(56) **References Cited**

U.S. PATENT DOCUMENTS

D215,358 S * 9/1969 Knowles et al. D14/475
5,579,101 A * 11/1996 Omata et al. 399/114
5,809,377 A * 9/1998 Chiesa et al. 399/111
D472,572 S * 4/2003 Kaiho D18/43

D531,662 S * 11/2006 Tsuda et al. D18/43
2007/0036586 A1 * 2/2007 Funamoto 399/122
2007/0172254 A1 * 7/2007 Li 399/122
2007/0217798 A1 * 9/2007 Tsuji et al. 399/27

* cited by examiner

Primary Examiner—Caron Veynar

Assistant Examiner—Garth Rademaker

(74) *Attorney, Agent, or Firm*—Dickstein Shapiro LLP

(57) **CLAIM**

The ornamental design for a toner cartridge holder, as shown and described.

DESCRIPTION

FIG. 1 is a front elevation view of a toner cartridge holder according to the present invention;

FIG. 2 is a rear elevation view thereof;

FIG. 3 is a top plan view thereof;

FIG. 4 is a bottom plan view thereof;

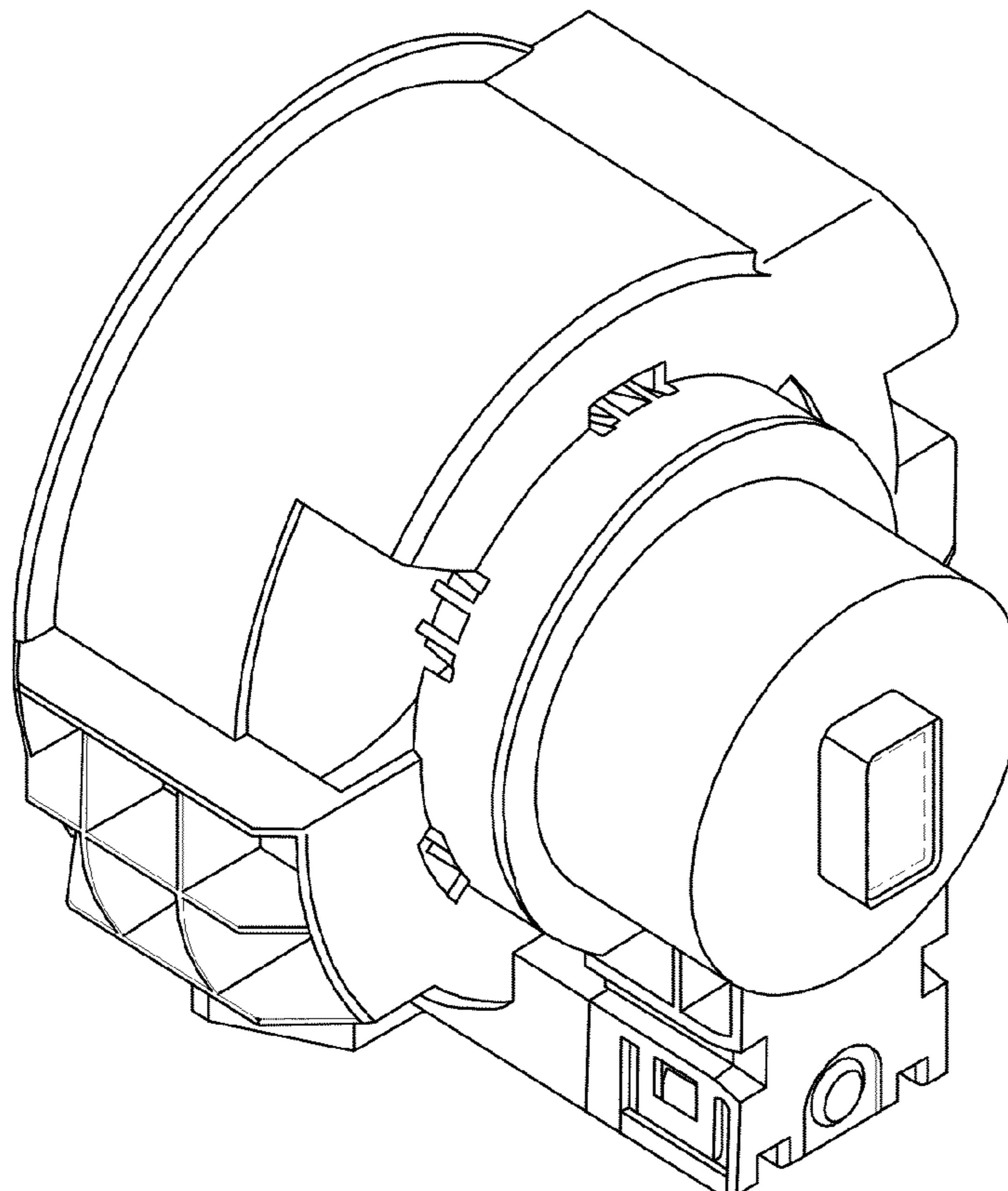
FIG. 5 is a right side elevation view thereof;

FIG. 6 is a left side elevation view thereof; and,

FIG. 7 is a top, front and right side perspective view thereof.

The broken lines depict environmental subject matter only and form no part of the claimed design.

1 Claim, 4 Drawing Sheets



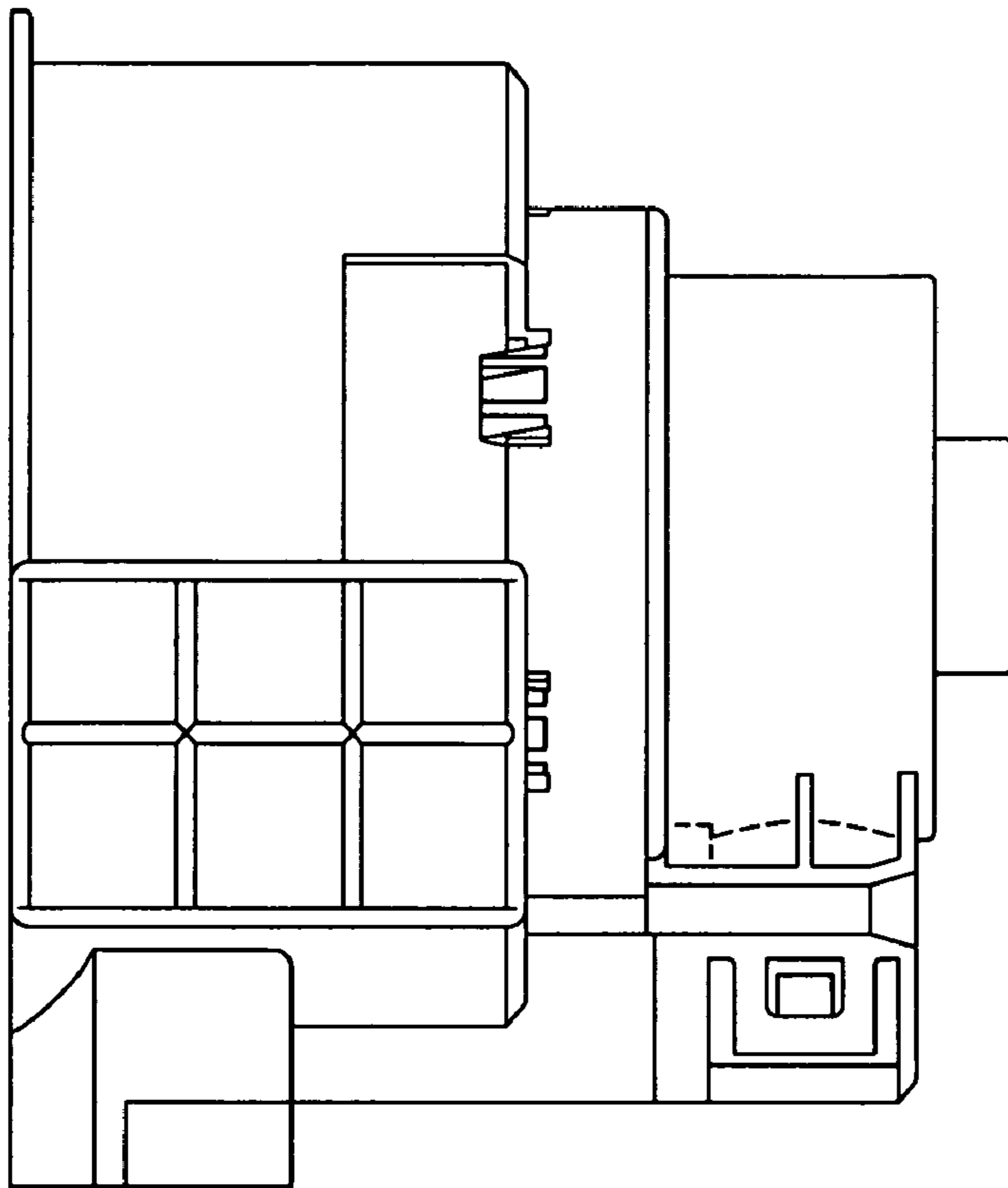


FIG. 1

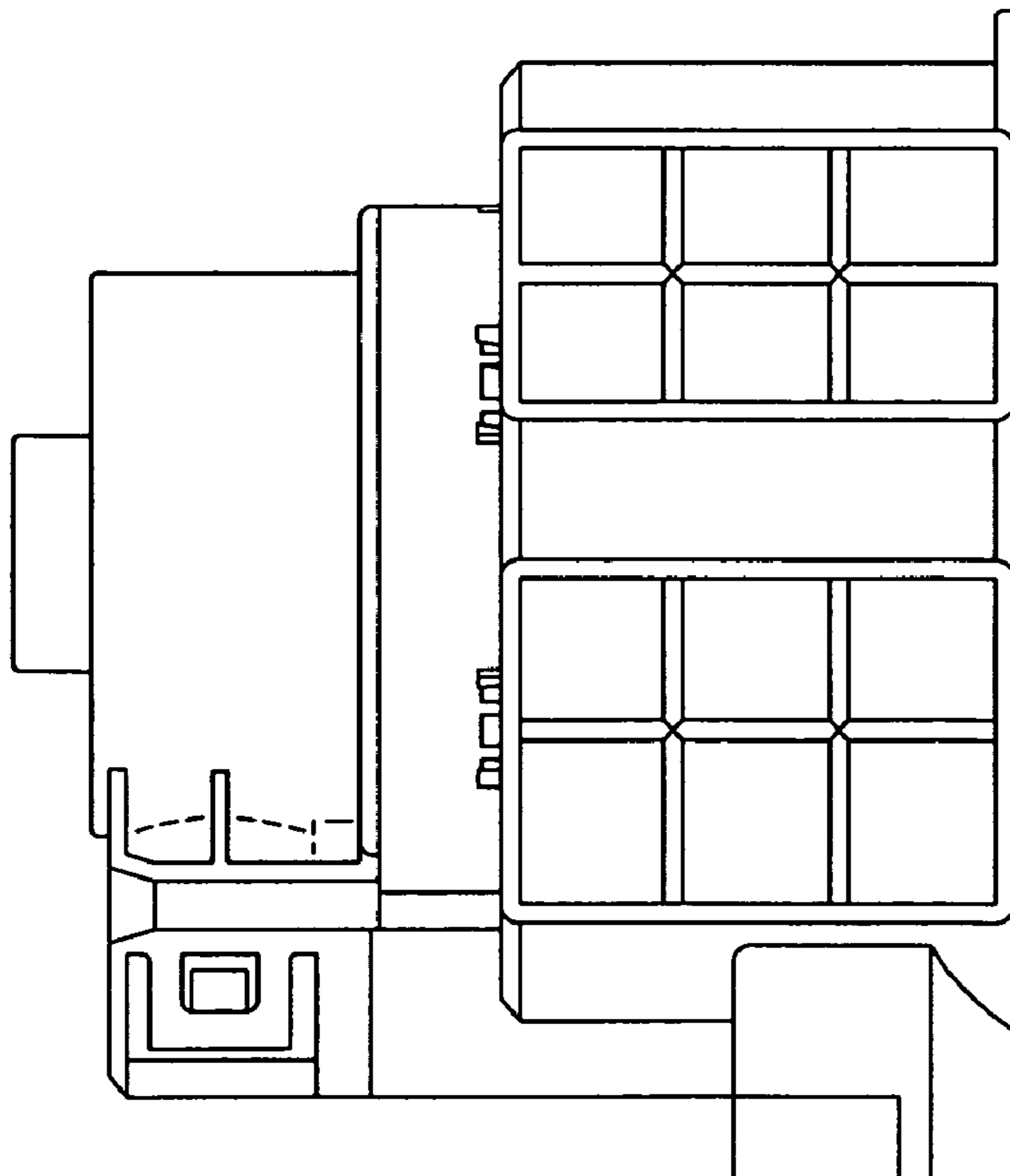


FIG. 2

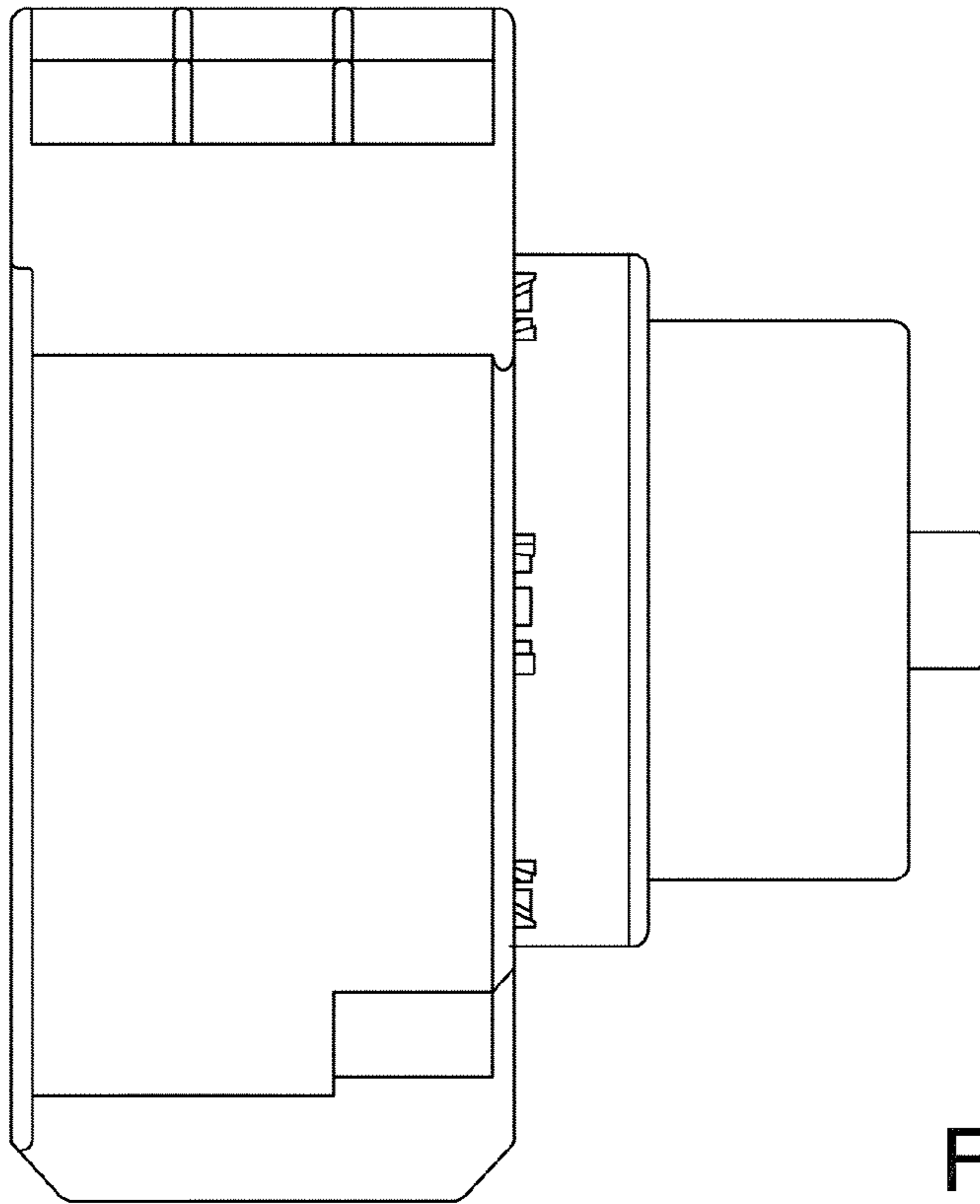


FIG. 3

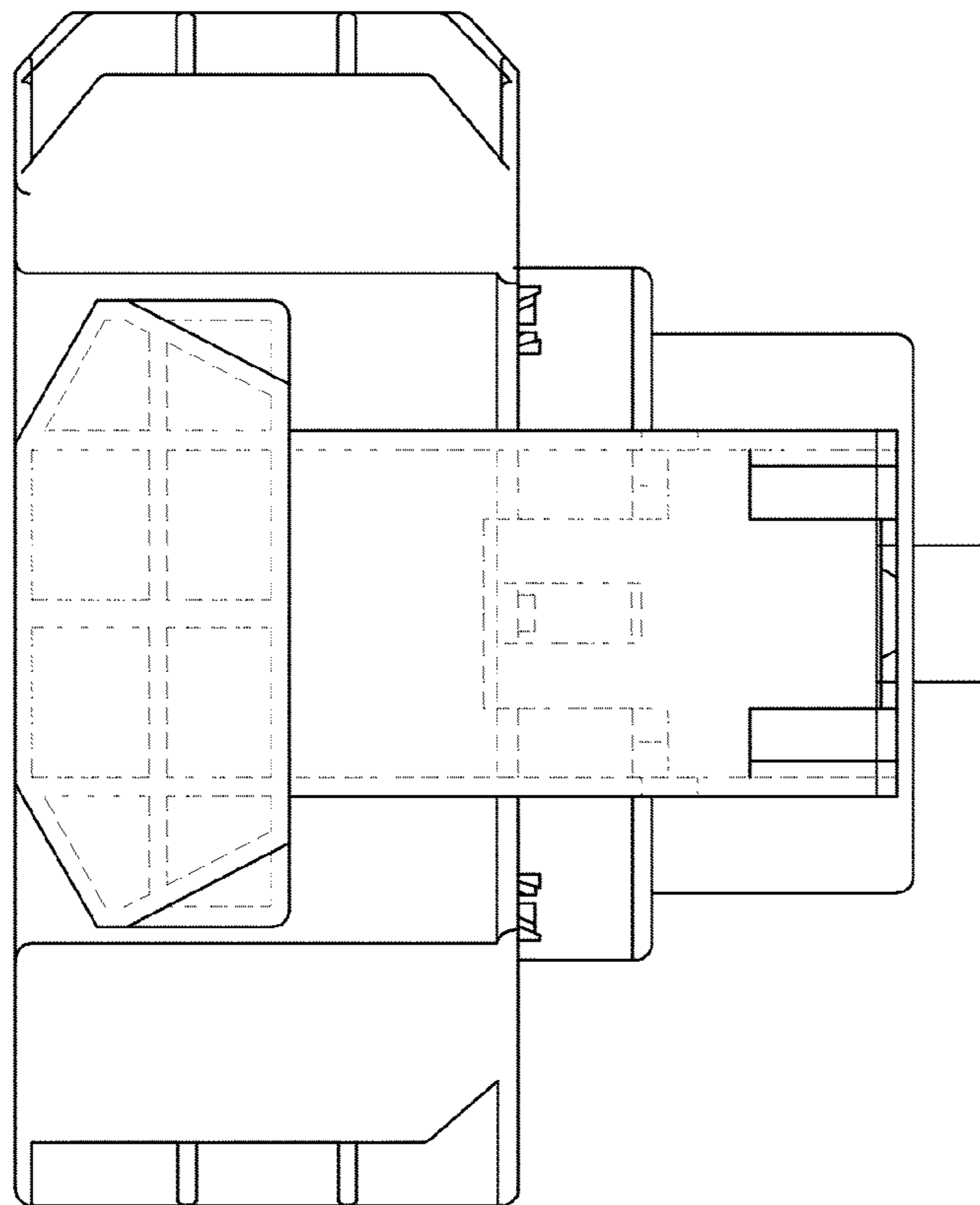


FIG. 4

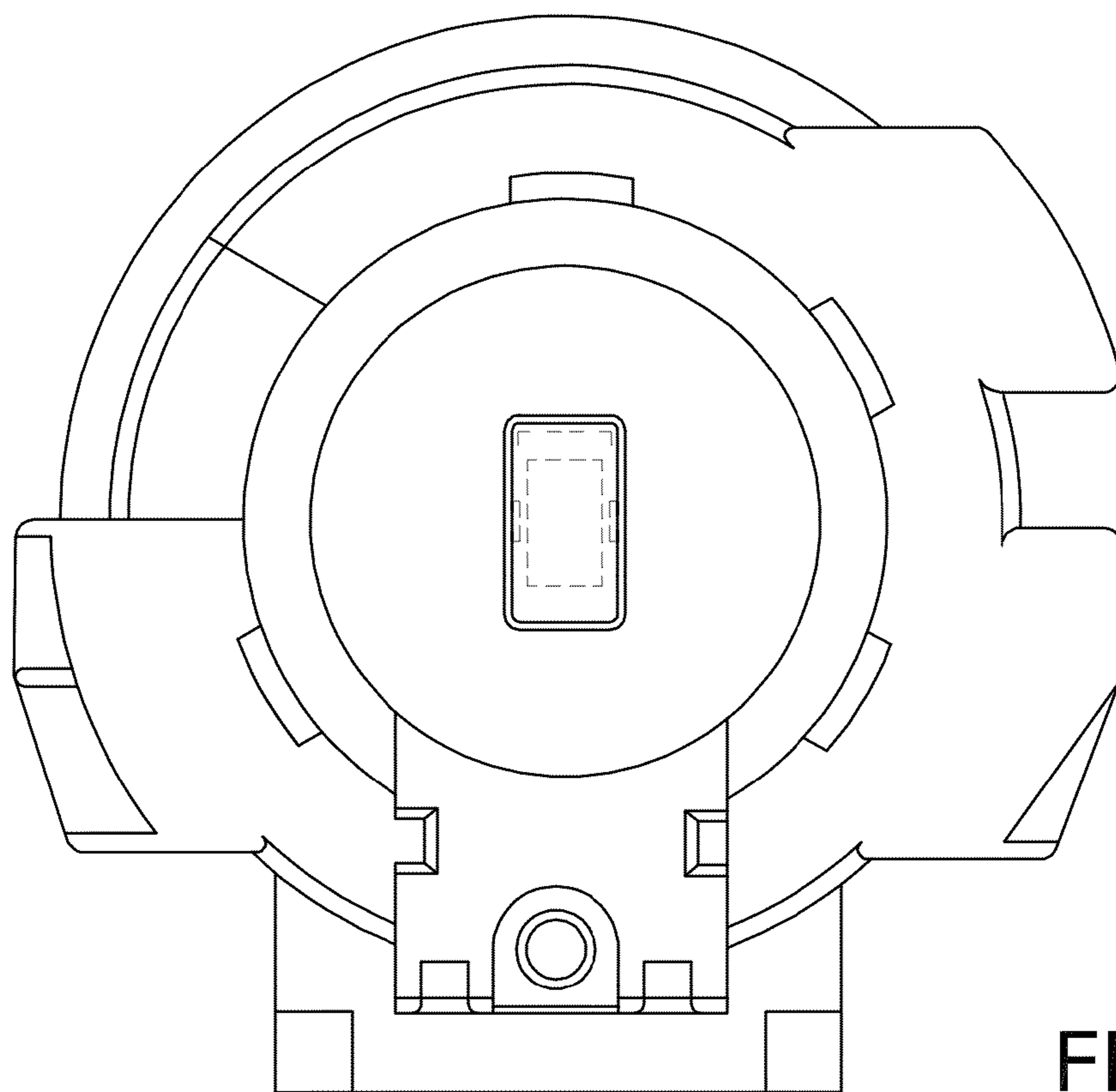


FIG. 5

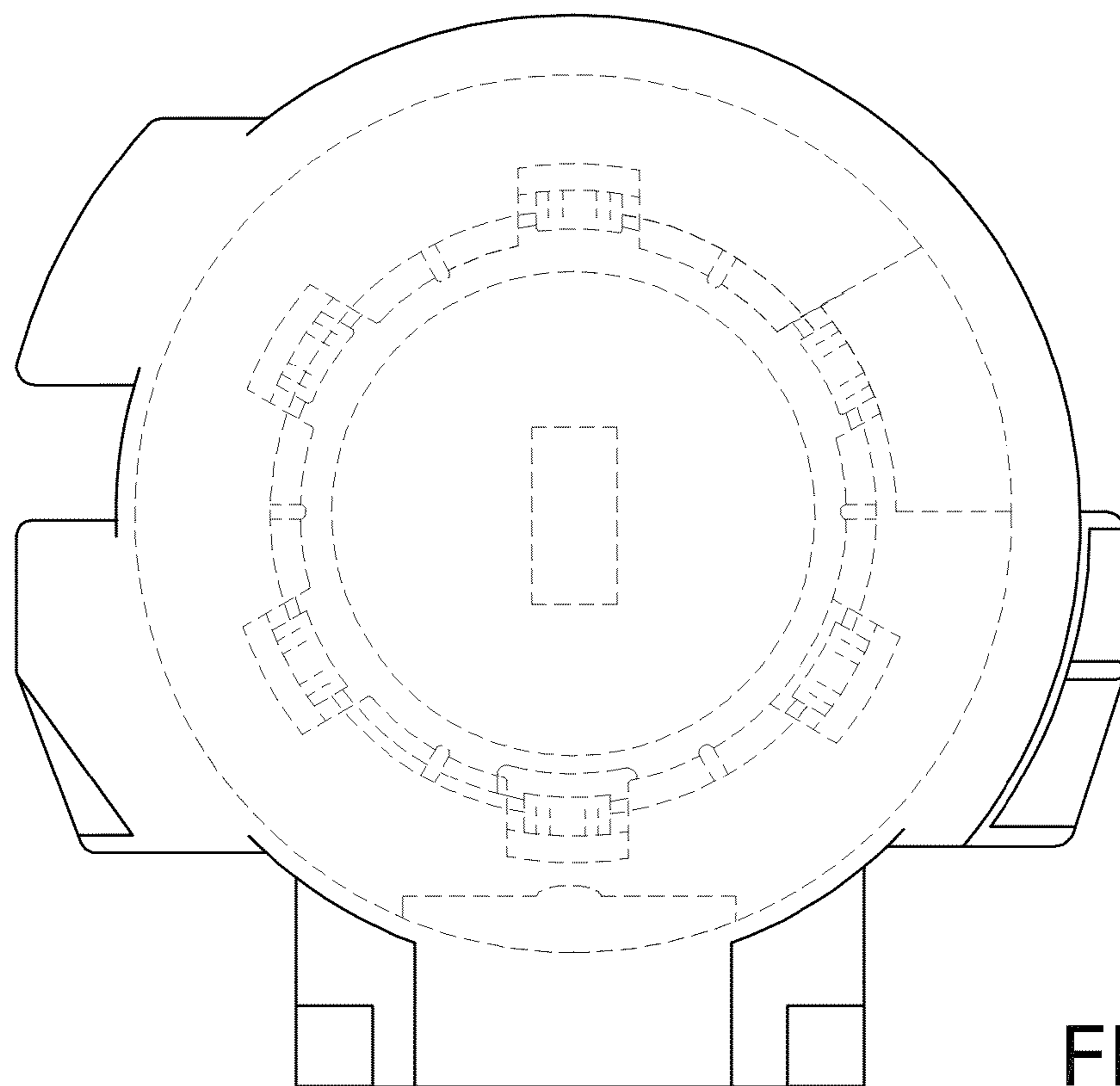


FIG. 6

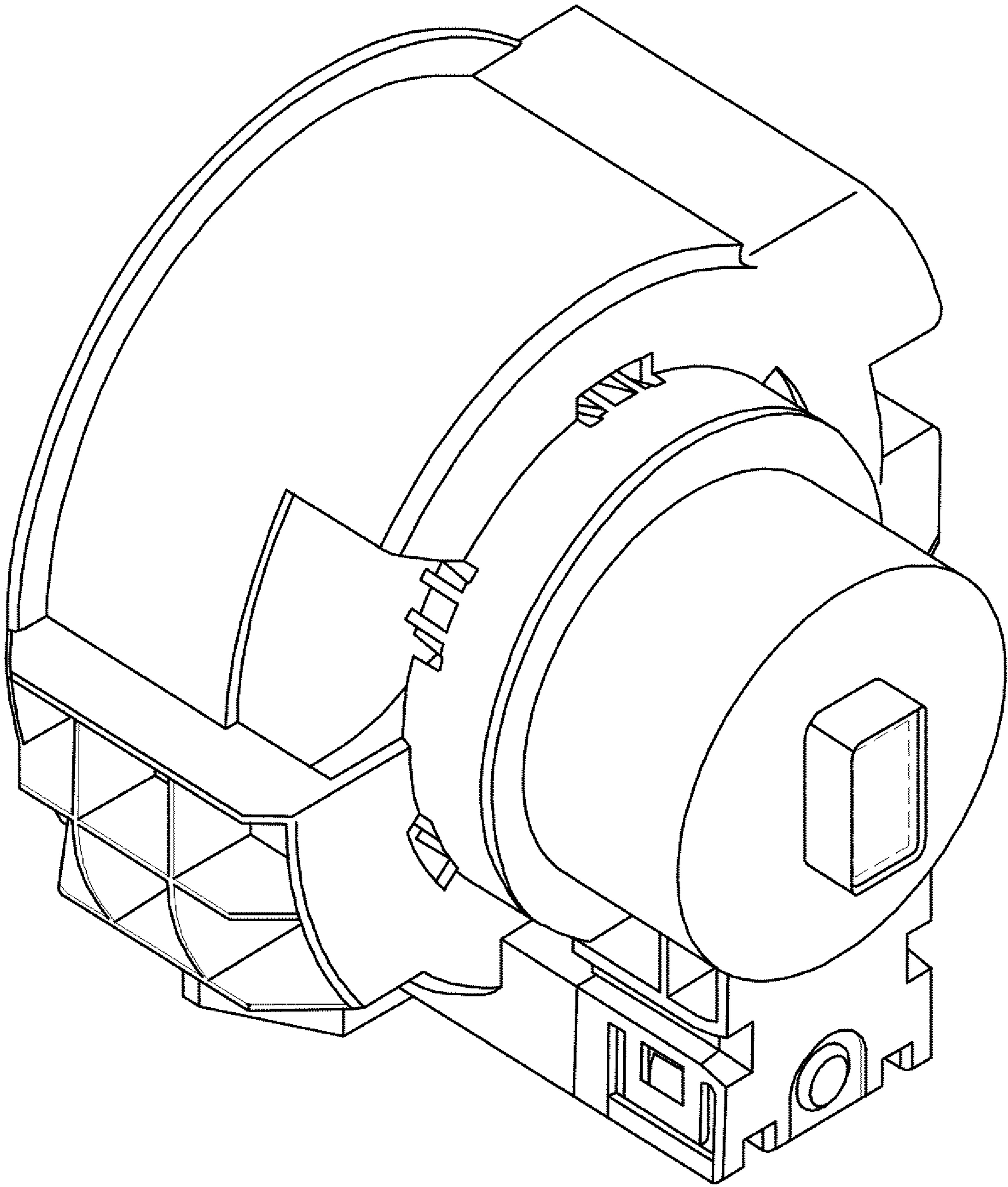


FIG. 7