



US00D602982S

(12) **United States Design Patent**
Kit et al.

(10) **Patent No.:** **US D602,982 S**
(45) **Date of Patent:** **** Oct. 27, 2009**

(54) **PAPER SHREDDER**

(75) Inventors: **Benson Cheung Chun Kit**, Kowloon (HK); **Lau Hee Wing**, KLN (HK); **Leon Kuo Liang Yoong**, Wheelers Hill (AU)

(73) Assignee: **Royal Appliance Mfg. Co.**, Glenwillow, OH (US)

(**) Term: **14 Years**

(21) Appl. No.: **29/328,171**

(22) Filed: **Nov. 20, 2008**

(51) **LOC (9) Cl.** **18-04**

(52) **U.S. Cl.** **D18/34.5**

(58) **Field of Classification Search** D18/34.1–34.9;
241/100, 236, 101.78, 36; 83/613, 614, 623,
83/485, 57–68; 164/468; D34/1, 5, 6
See application file for complete search history.

(56) **References Cited**

U.S. PATENT DOCUMENTS

4,873,811	A	*	10/1989	Izumitani et al.	D18/34.6
D437,343	S	*	2/2001	Ho	D18/34.6
D454,907	S	*	3/2002	Ho	D18/34.6
D455,171	S	*	4/2002	Ho	D18/34.6
D498,252	S	*	11/2004	Lo	D18/34.6
D502,729	S	*	3/2005	Lo	D18/34.5
D502,961	S	*	3/2005	Lo	D18/34.6

D518,266	S	*	3/2006	Yang et al.	D34/9
D539,498	S	*	3/2007	Yang et al.	D34/9
D557,735	S	*	12/2007	Ho	D18/34.6
7,344,096	B2	*	3/2008	Matlin et al.	241/36
D587,297	S	*	2/2009	Kent et al.	D18/34.5
7,513,448	B2	*	4/2009	Ko	241/100

* cited by examiner

Primary Examiner—Charles A Rademaker

(74) *Attorney, Agent, or Firm*—Fay Sharpe LLP

(57) **CLAIM**

The ornamental design for a paper shredder, as shown and described.

DESCRIPTION

FIG. 1 is a perspective view of a paper shredder showing our new design;

FIG. 2 is a front elevational view thereof;

FIG. 3 is a right side elevational view thereof, with the left side elevational view being a mirror image thereof;

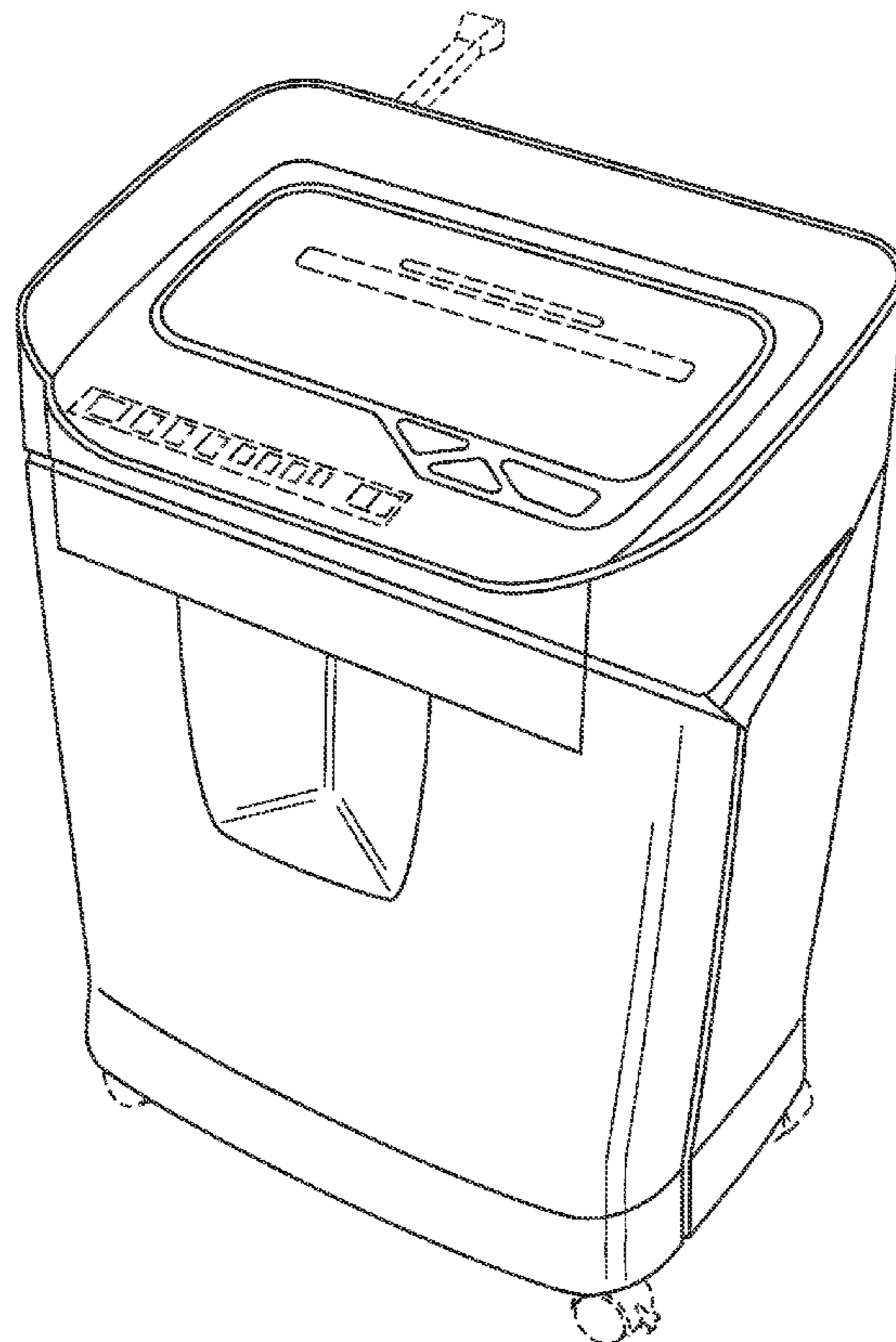
FIG. 4 is a rear elevational view thereof;

FIG. 5 is a top plan view thereof; and,

FIG. 6 is a bottom plan view thereof.

The broken lines shown in the figure drawings are included for the purpose of illustrating structural environment and form no part of the claimed design.

1 Claim, 3 Drawing Sheets



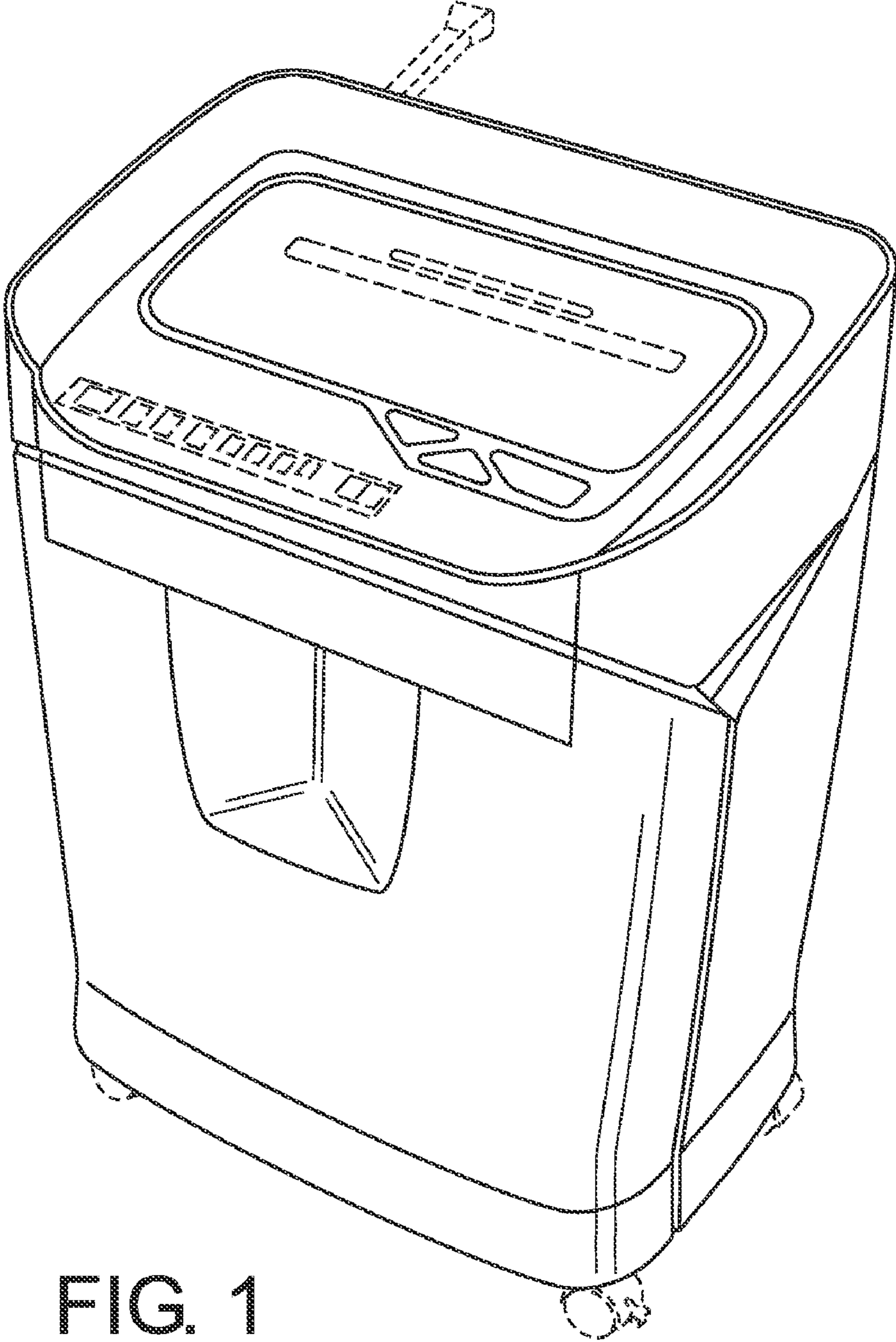


FIG. 1

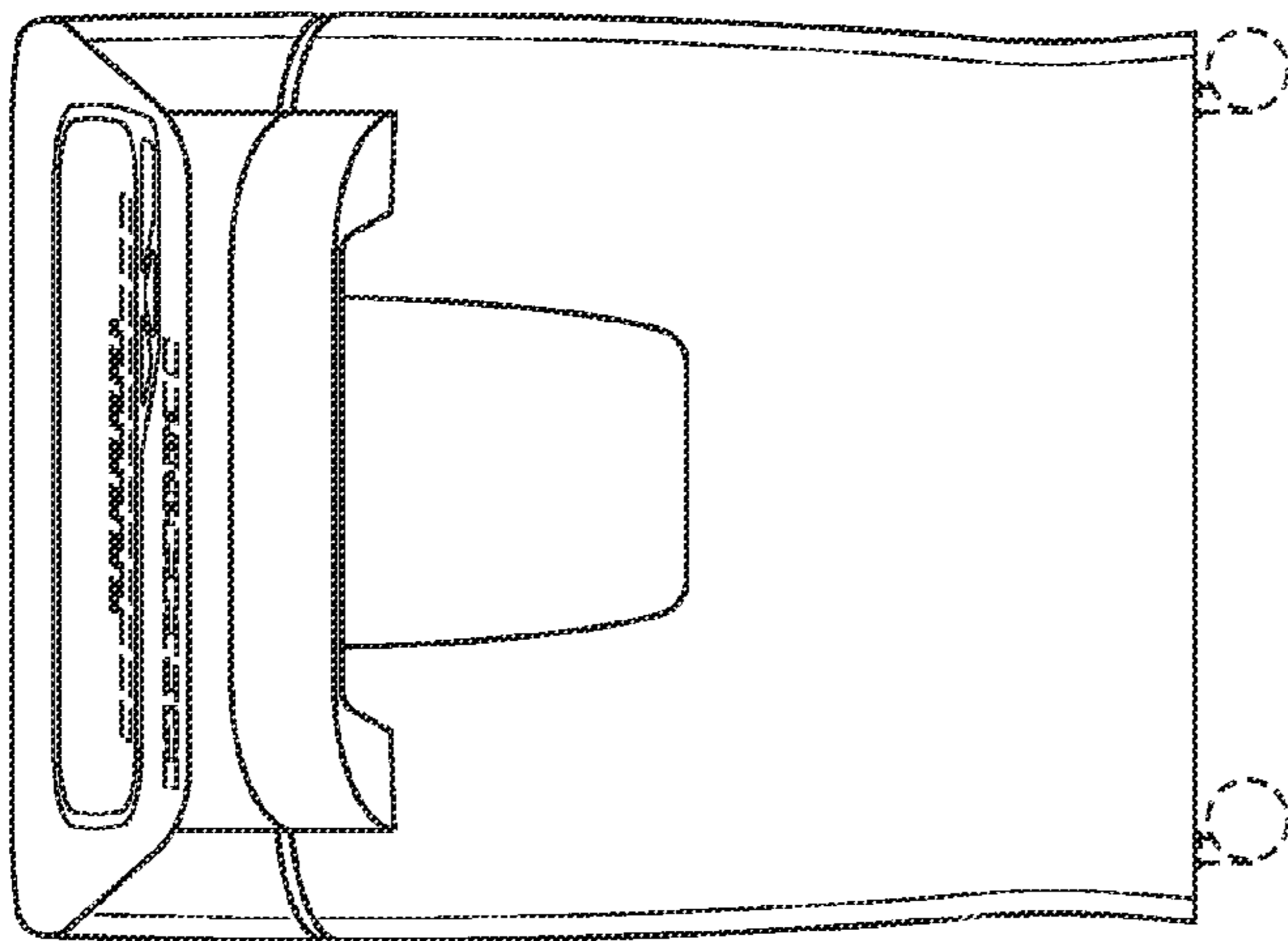


FIG. 2

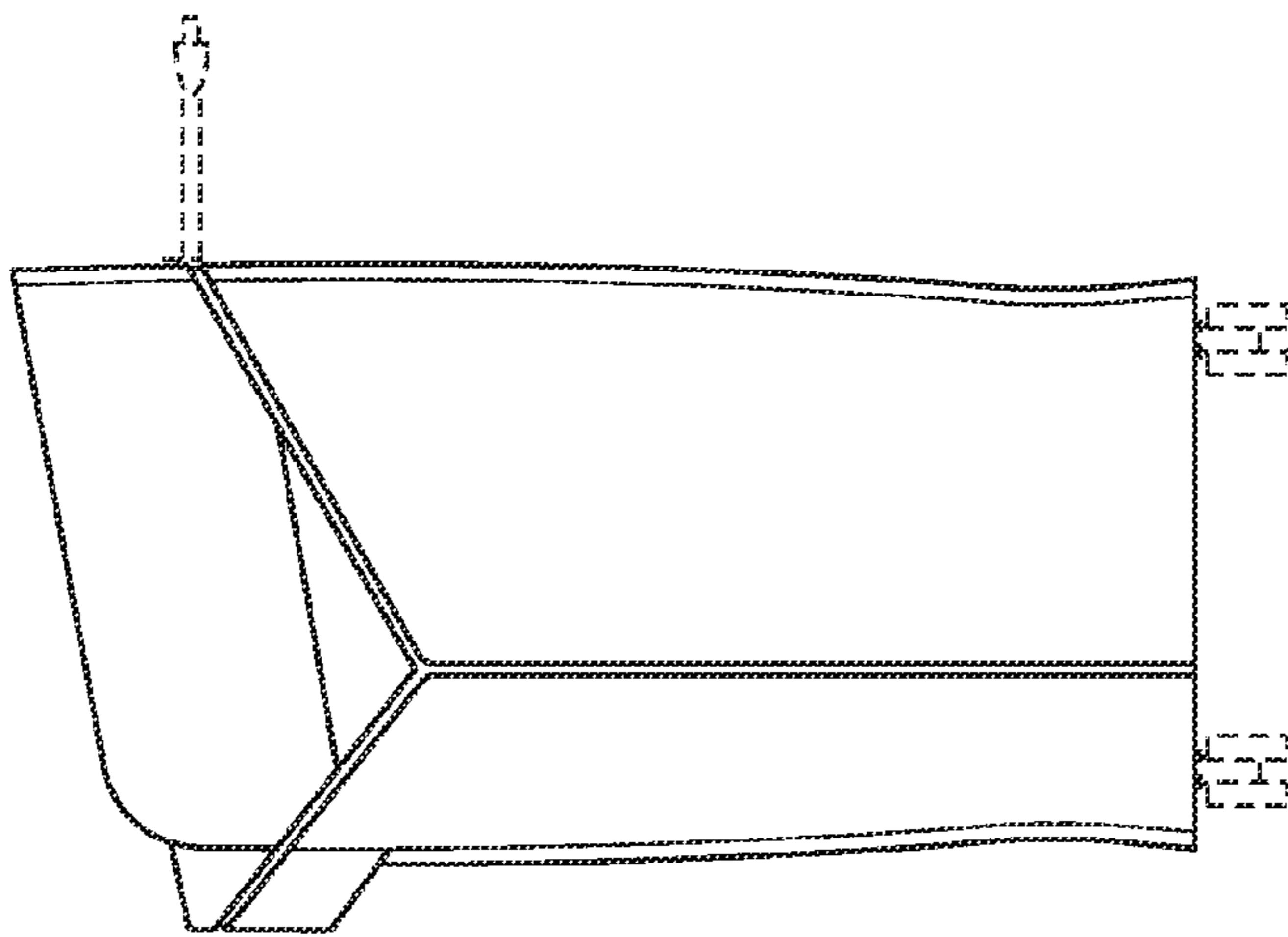


FIG. 3

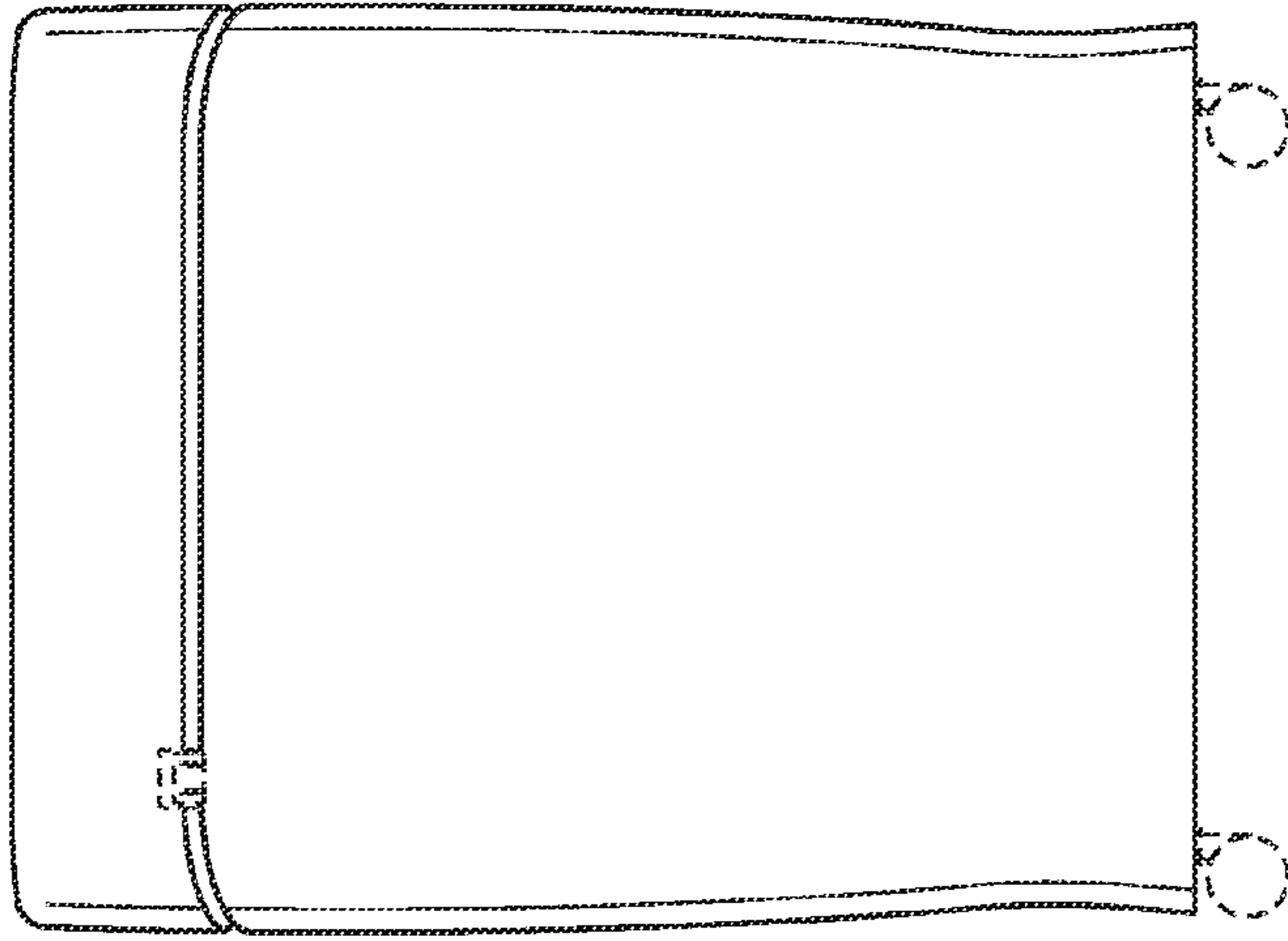


FIG. 4

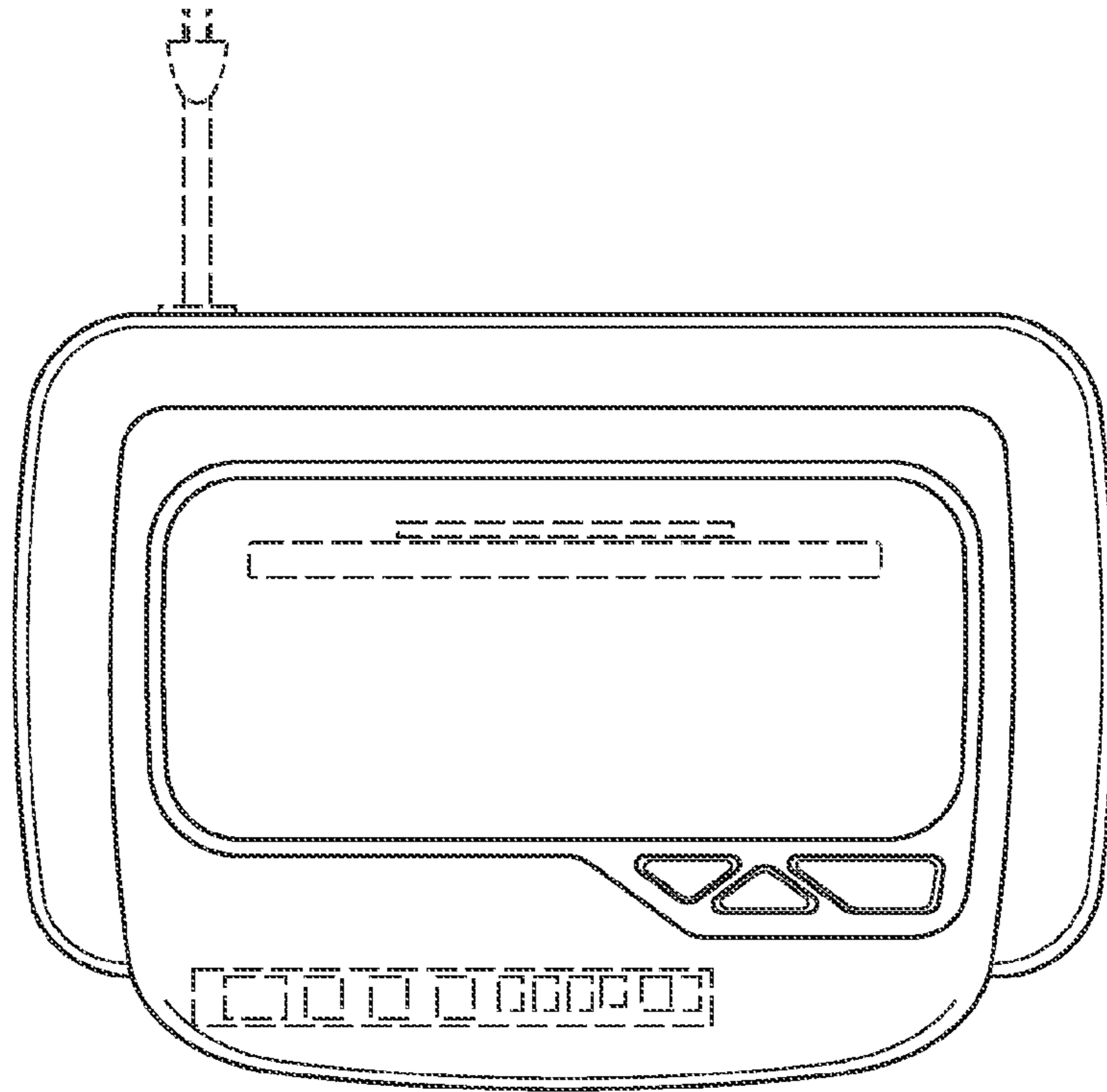


FIG. 5

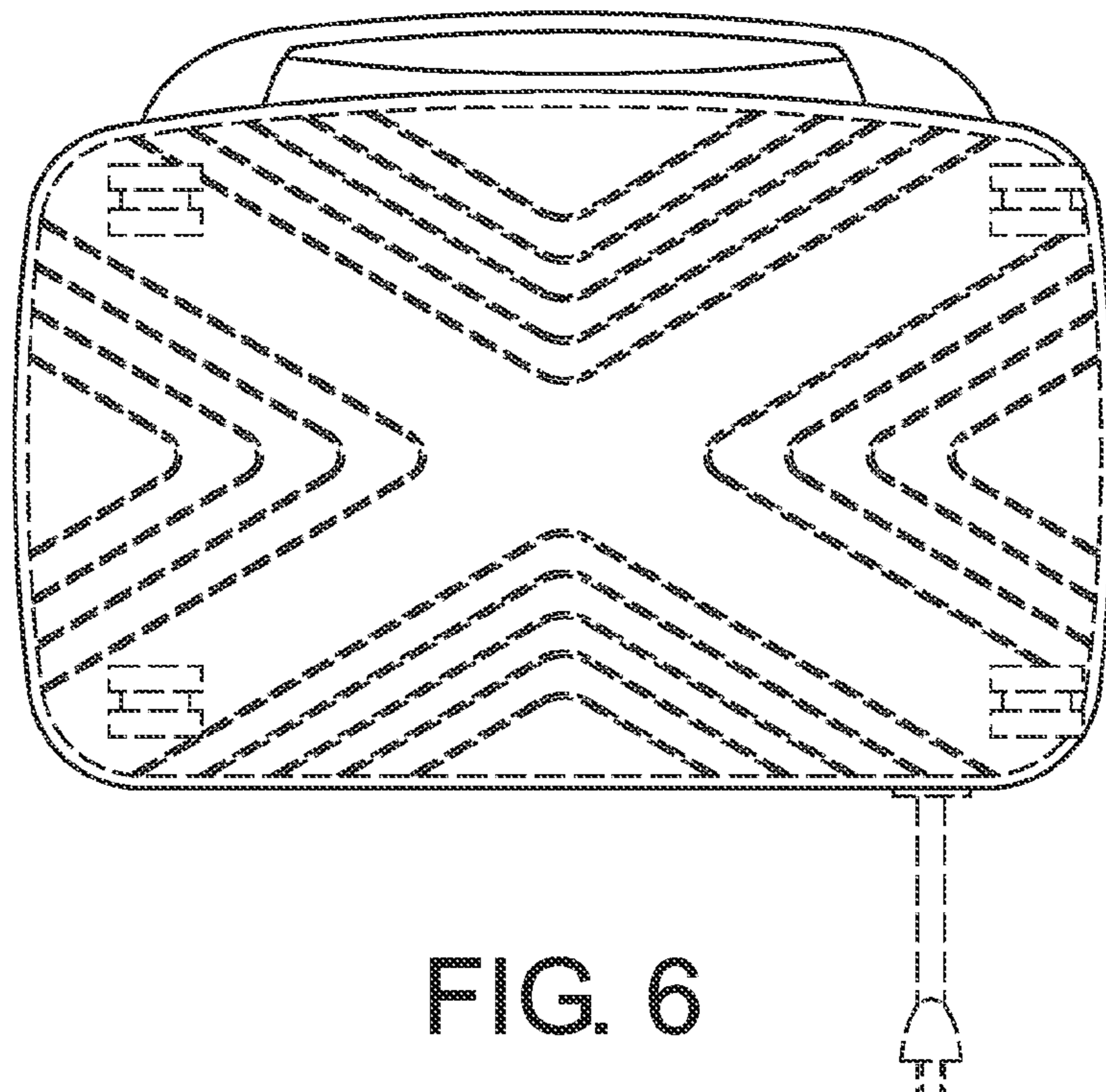


FIG. 6