



US00D602981S

(12) **United States Design Patent**
Dixson, Jr.

(10) **Patent No.:** **US D602,981 S**

(45) **Date of Patent:** **** Oct. 27, 2009**

(54) **DRUM LIFT**

(76) **Inventor:** **Arthur E. Dixson, Jr.**, 357 Taulman Rd.,
Orange, CT (US) 06477

(**) **Term:** **14 Years**

(21) **Appl. No.:** **29/324,661**

(22) **Filed:** **Sep. 17, 2008**

Related U.S. Application Data

(63) Continuation of application No. 11/805,922, filed on
May 25, 2007, now Pat. No. 7,576,275.

(51) **LOC (9) Cl.** **17-04**

(52) **U.S. Cl.** **D17/22; D17/99**

(58) **Field of Classification Search** D17/22,
D17/99; 84/104, 411 R, 421, 327, 329; D6/495
See application file for complete search history.

(56) **References Cited**

U.S. PATENT DOCUMENTS

D253,408 S * 11/1979 Sargent D12/217

D267,098 S * 11/1982 Packer D17/22

D279,906 S * 7/1985 Ireland D17/22

D280,611 S * 9/1985 Nelson D12/217

D314,938 S * 2/1991 Anderson D12/217
D318,680 S * 7/1991 Cohen et al. D17/22
D352,951 S * 11/1994 Choate D17/22
D366,443 S * 1/1996 Bach et al. D12/217
D433,660 S * 11/2000 Hough D12/217
2006/0005689 A1 1/2006 Ito

* cited by examiner

Primary Examiner—Stella M Reid

Assistant Examiner—R. Johnson

(74) *Attorney, Agent, or Firm*—Raymond A. Nuzzo

(57) **CLAIM**

The ornamental design for a drum lift, as shown and
described.

DESCRIPTION

FIG. 1 is a perspective view of the drum lift;

FIG. 2 is a top plan view of the drum lift;

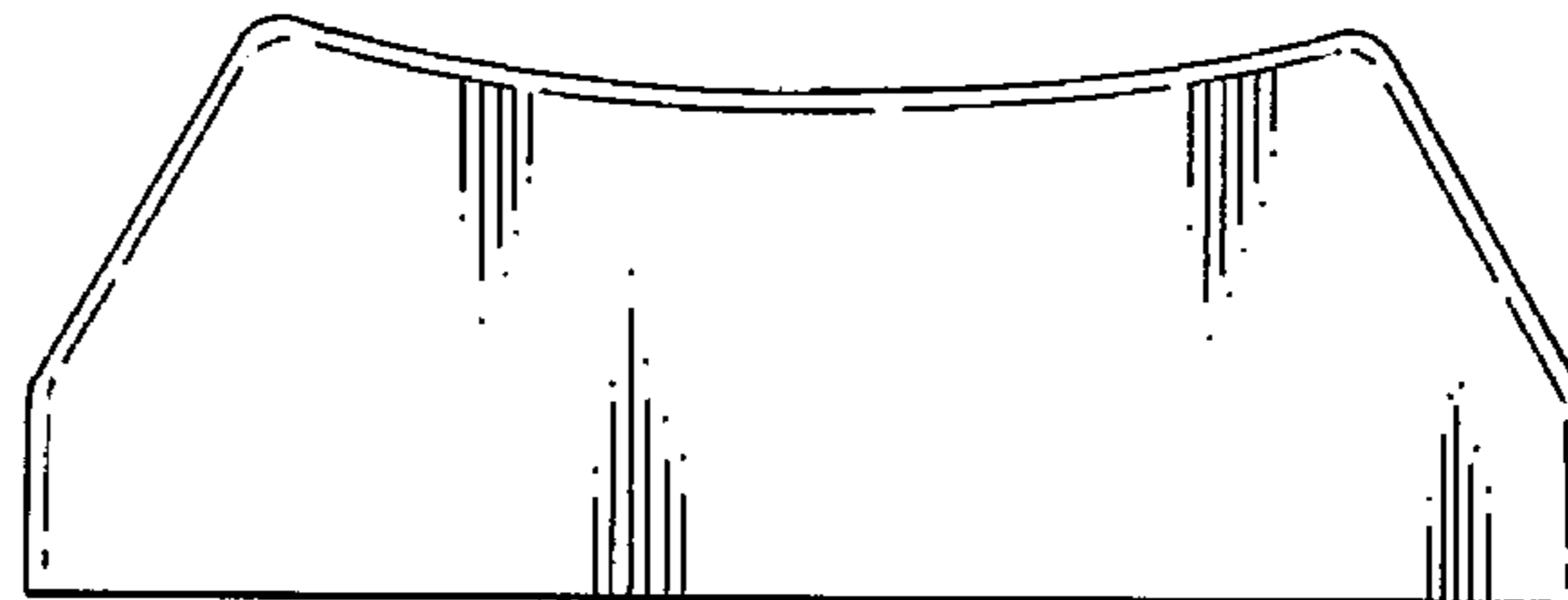
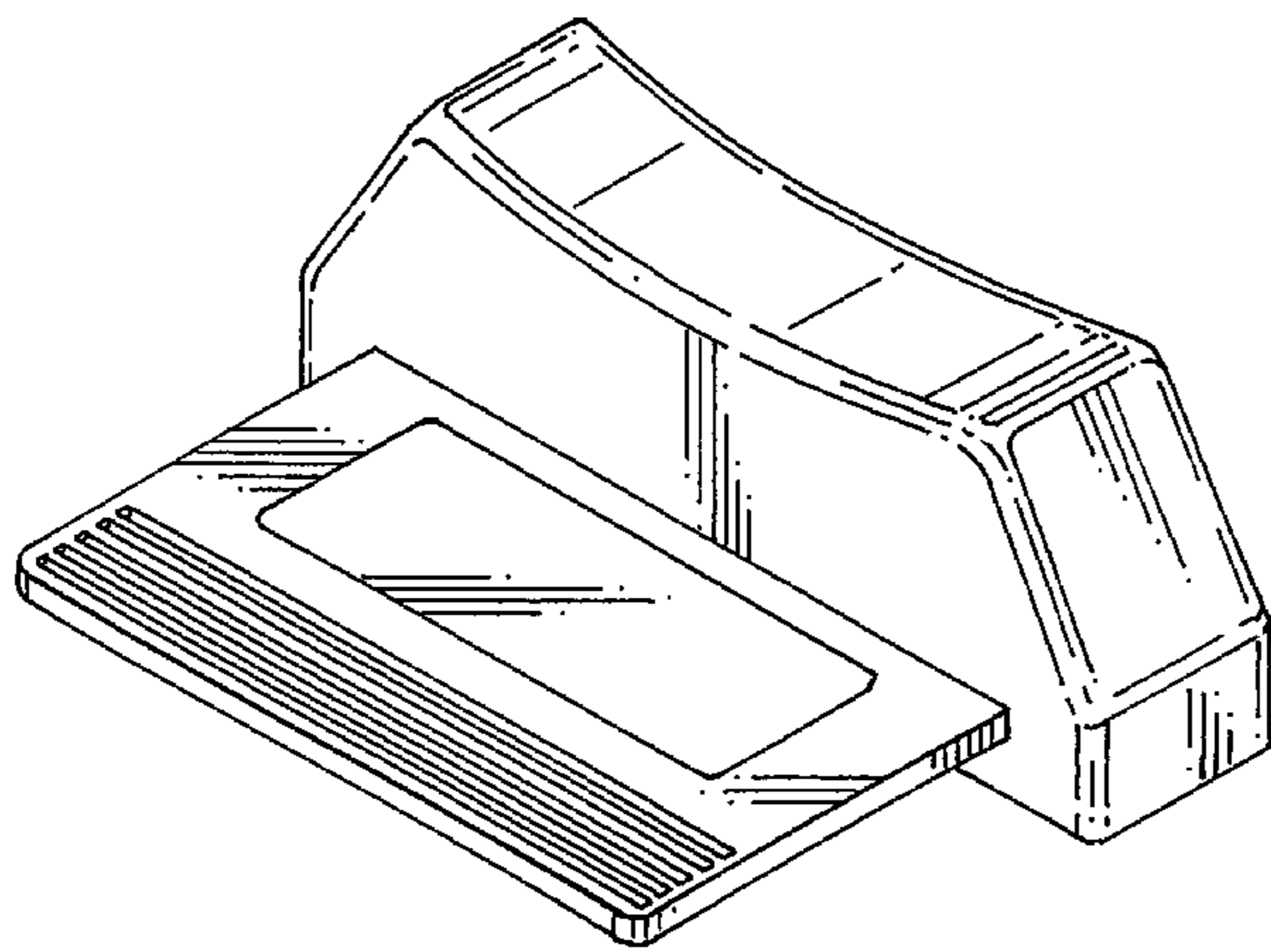
FIG. 3 is a front view of the drum lift;

FIG. 4 is a bottom view of the drum lift;

FIG. 5 is a right side elevation view of the drum lift; with the
undisclosed left side view being a mirror image thereof; and,

FIG. 6 is a rear view of the drum lift.

1 Claim, 3 Drawing Sheets



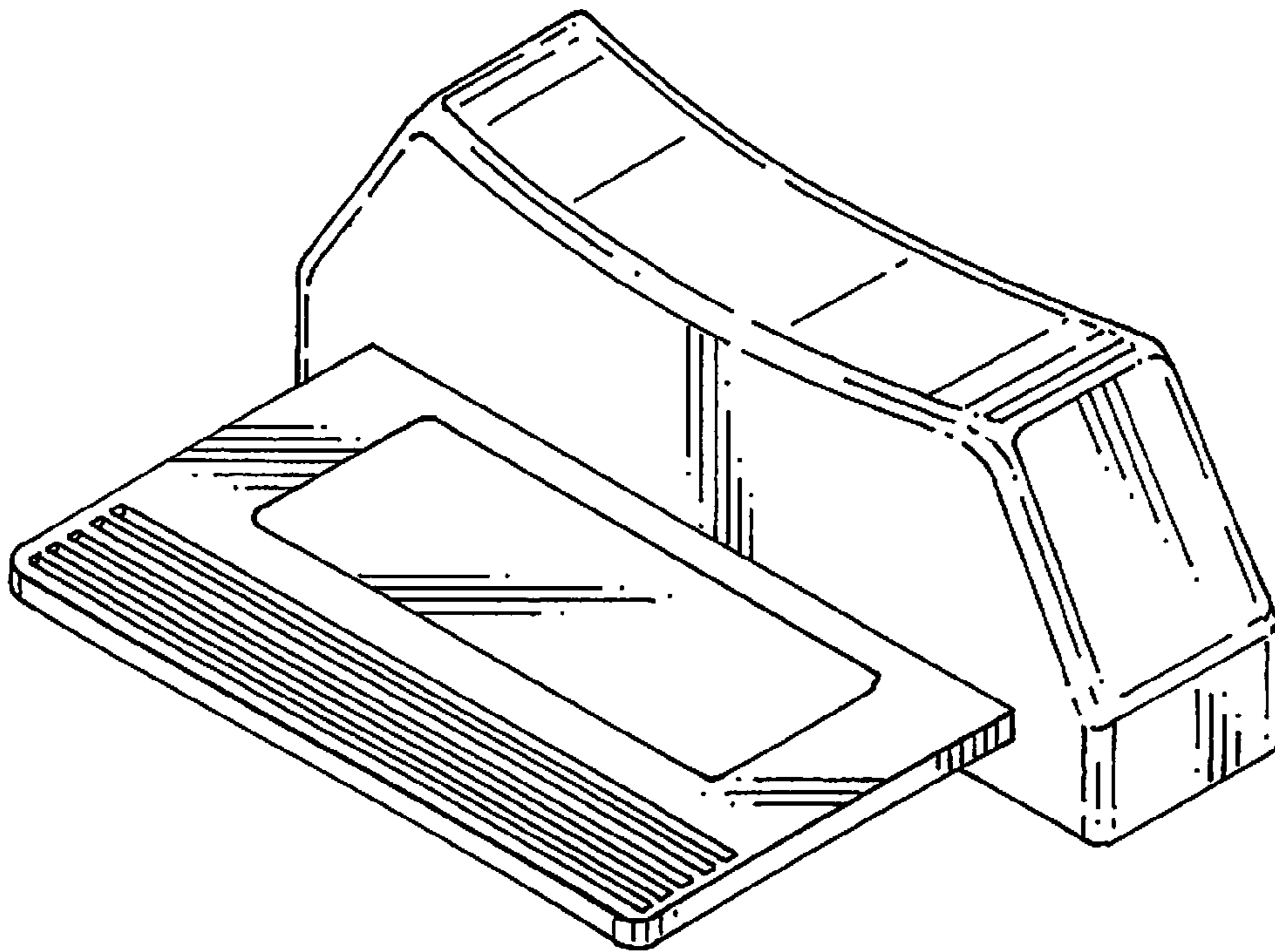


FIG. 1

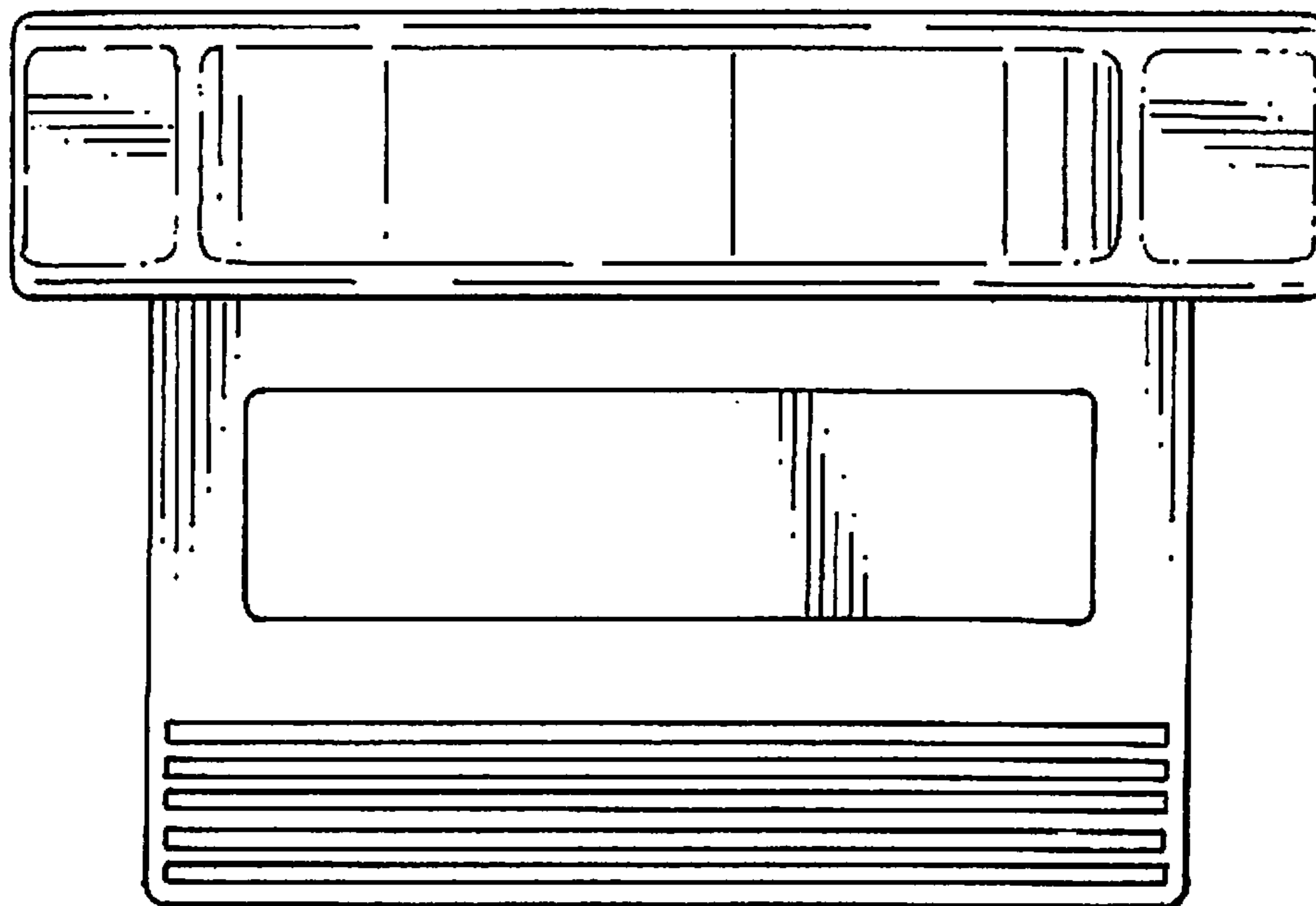


FIG. 2

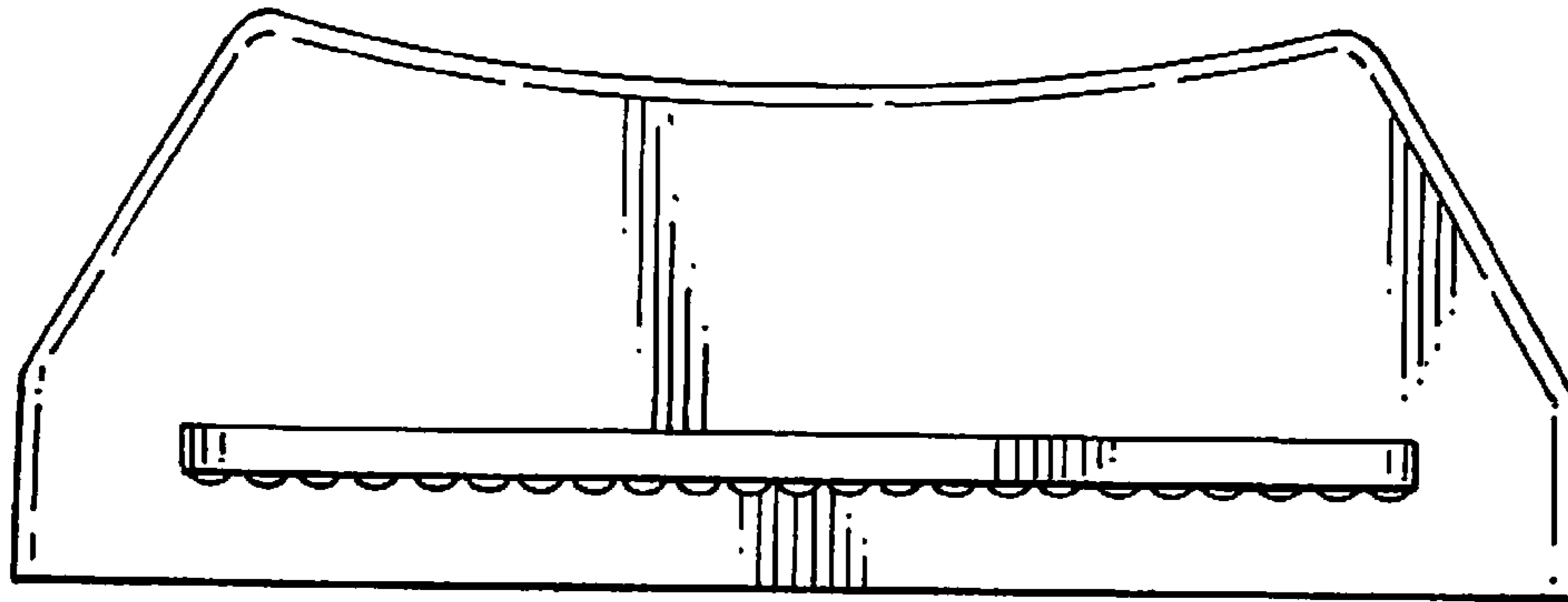


FIG. 3

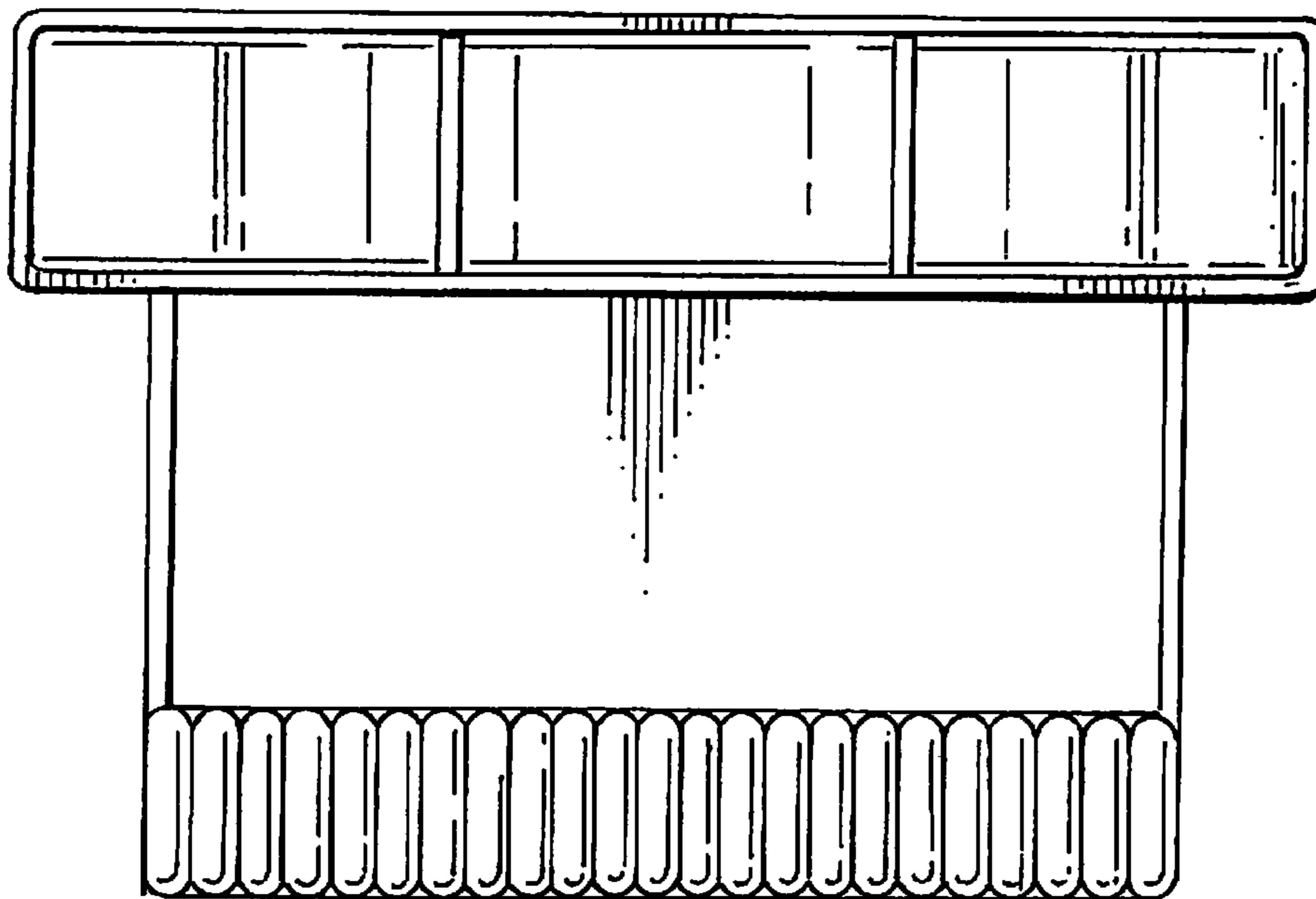


FIG. 4

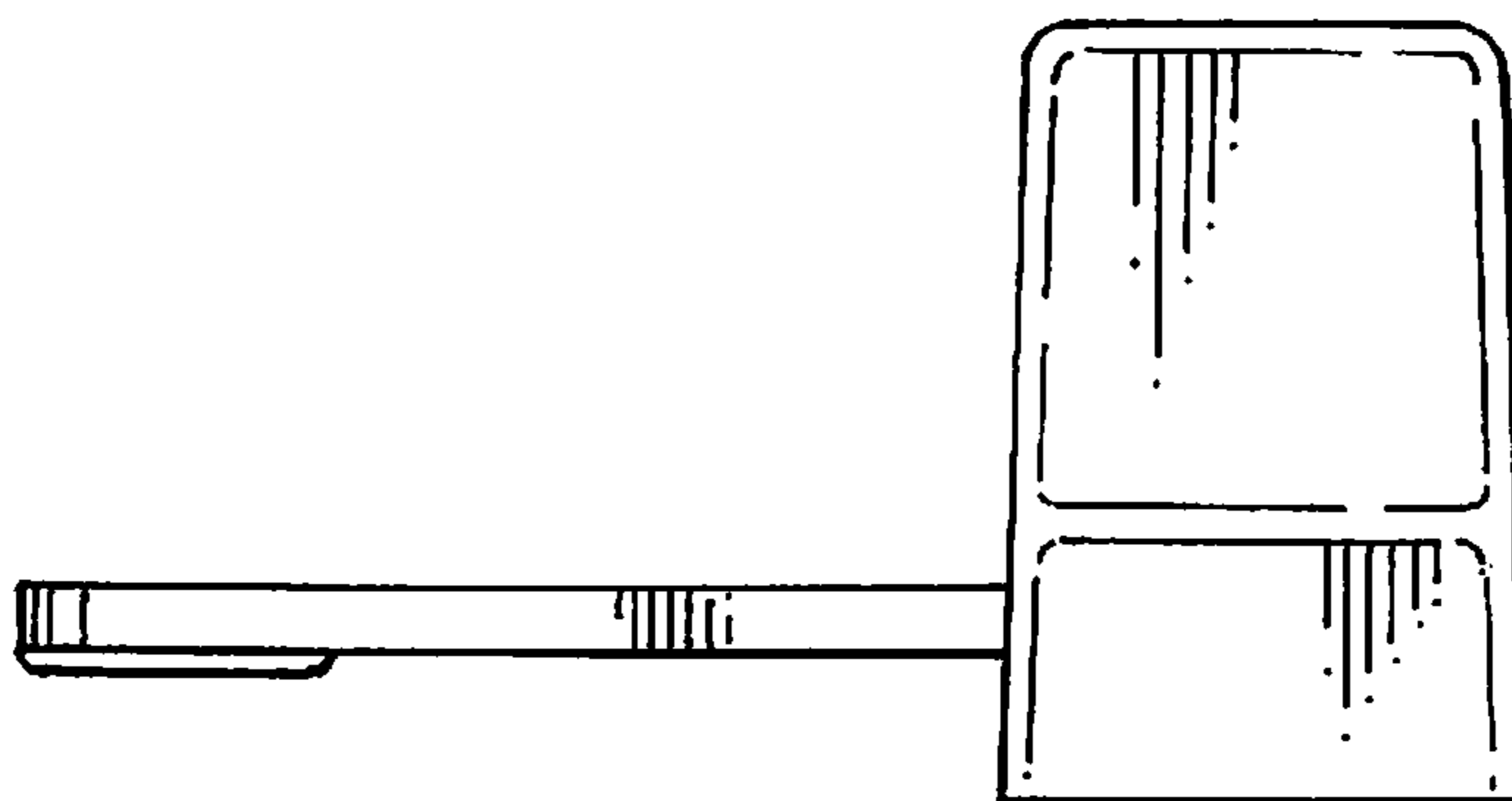


FIG. 5

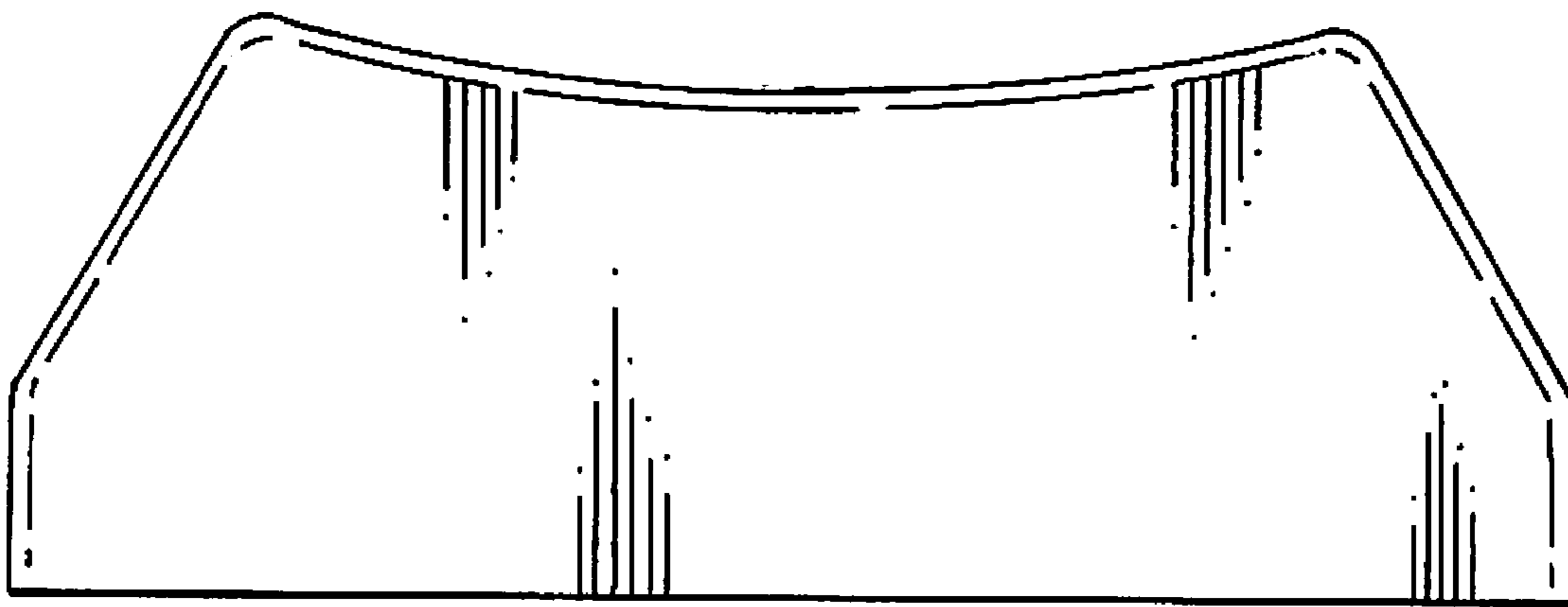


FIG. 6