



US00D602979S

(12) **United States Design Patent**
Della Valle

(10) **Patent No.:** **US D602,979 S**

(45) **Date of Patent:** **** Oct. 27, 2009**

(54) **SPECTACLE HINGE**

(75) Inventor: **Diego Della Valle**, Sant'Elpido A Mare (IT)

(73) Assignee: **Gousson-Consultadoria E Marketing LDA**, Funchal Madeira (PT)

(**) Term: **14 Years**

(21) Appl. No.: **29/284,255**

(22) Filed: **Sep. 4, 2007**

(30) **Foreign Application Priority Data**

Mar. 5, 2007 (EM) 000682604

(51) **LOC (9) Cl.** **16-06**

(52) **U.S. Cl.** **D16/334**

(58) **Field of Classification Search** D16/101,
D16/300-342; D29/109-110; D24/110.2;
351/41, 44, 51-52, 62, 158, 92, 103-123,
351/140, 153, 45-46; 2/426-432, 447-449,
2/441, 436, 434-437, 13, 15; D21/483, 659-661
See application file for complete search history.

(56) **References Cited**

U.S. PATENT DOCUMENTS

2,493,447 A * 1/1950 Delano D11/218
2,807,852 A * 10/1957 Rave D11/218
D394,024 S * 5/1998 Johnson, III D11/218
D459,748 S * 7/2002 Marc et al. D16/334
D540,369 S * 4/2007 Mouclier D16/315
D548,265 S * 8/2007 Lane et al. D16/301
7,338,157 B1 * 3/2008 Leung 351/153
D579,968 S * 11/2008 Yee et al. D16/320

D582,964 S * 12/2008 Fuchs D16/316
2001/0015791 A1 * 8/2001 Mille 351/153
2003/0184709 A1 * 10/2003 Sommavilla 351/153
2003/0218716 A1 * 11/2003 Jung 351/153

FOREIGN PATENT DOCUMENTS

JP D1174302 4/2003
TW 213369 9/1993

OTHER PUBLICATIONS

Taiwanese Search Report for Taiwanese Design Patent Application No. 96304868 dated May 21, 2008.

"Taiwan Changhua Hardware Magazine", Dec. 1993, p. 53, vol. 10.

* cited by examiner

Primary Examiner—Raphael Barkai

(74) *Attorney, Agent, or Firm*—Knobbe Martens Olson & Bear LLP

(57) **CLAIM**

The ornamental design for a spectacle hinge, as shown and described.

DESCRIPTION

FIG. 1 is a left side view of a spectacle hinge of the new design.

FIG. 2 is a front view of the design of FIG. 1.

FIG. 3 is a rear view of the design of FIG. 1.

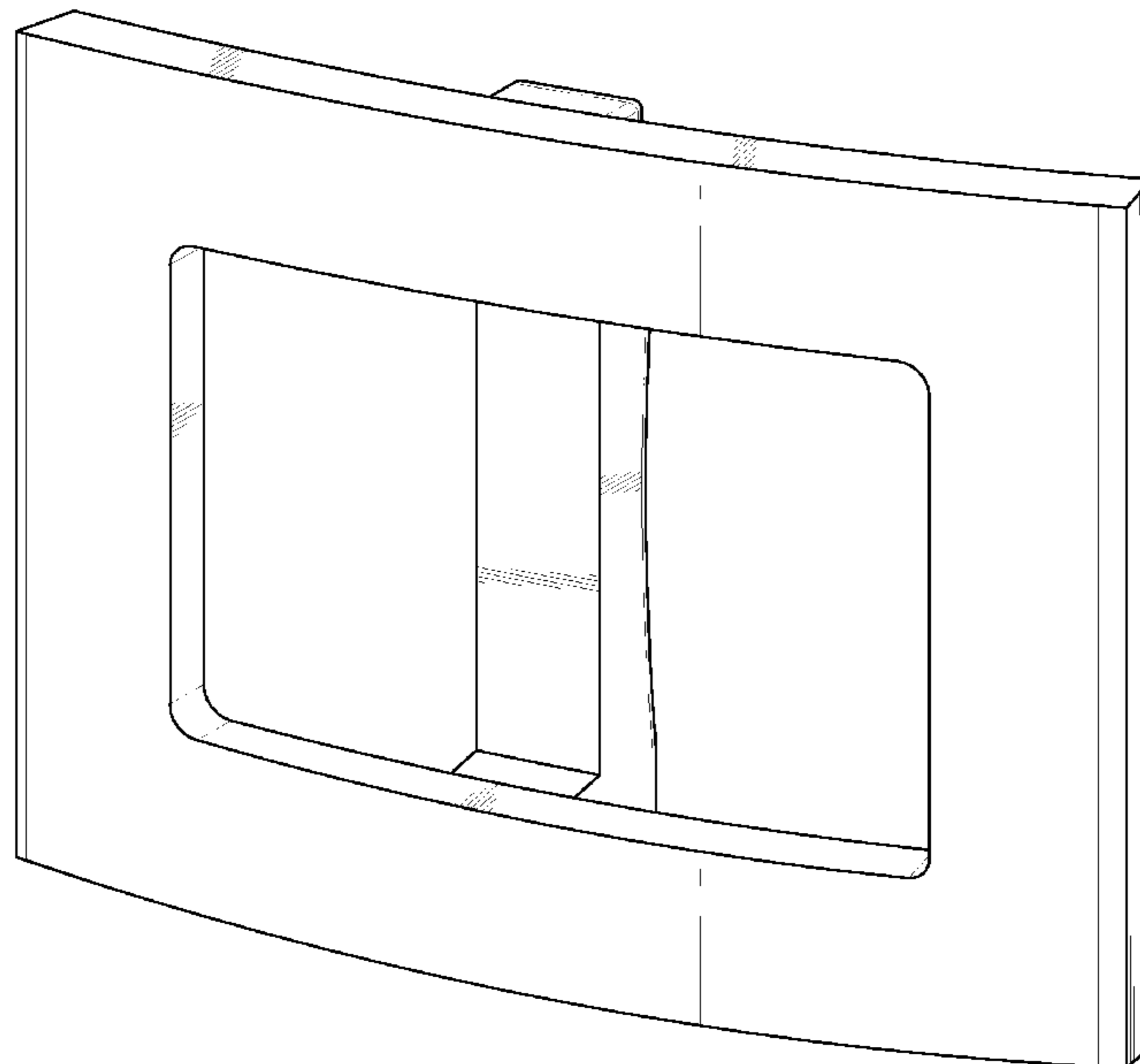
FIG. 4 is a top view of the design of FIG. 1.

FIG. 5 is a bottom view of the design of FIG. 1.

FIG. 6 is a right view of the design of FIG. 1; and,

FIG. 7 is a perspective view of the design of FIG. 1.

1 Claim, 6 Drawing Sheets



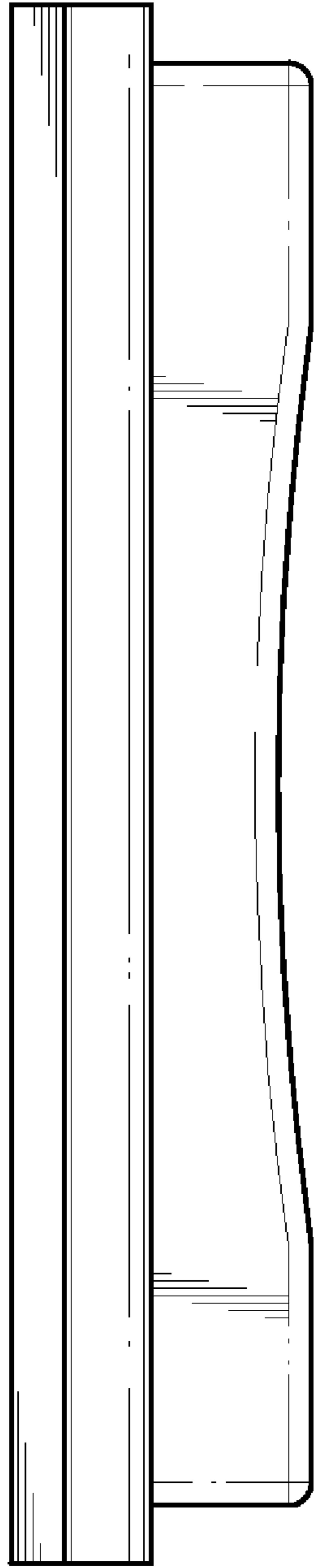


FIG. 1

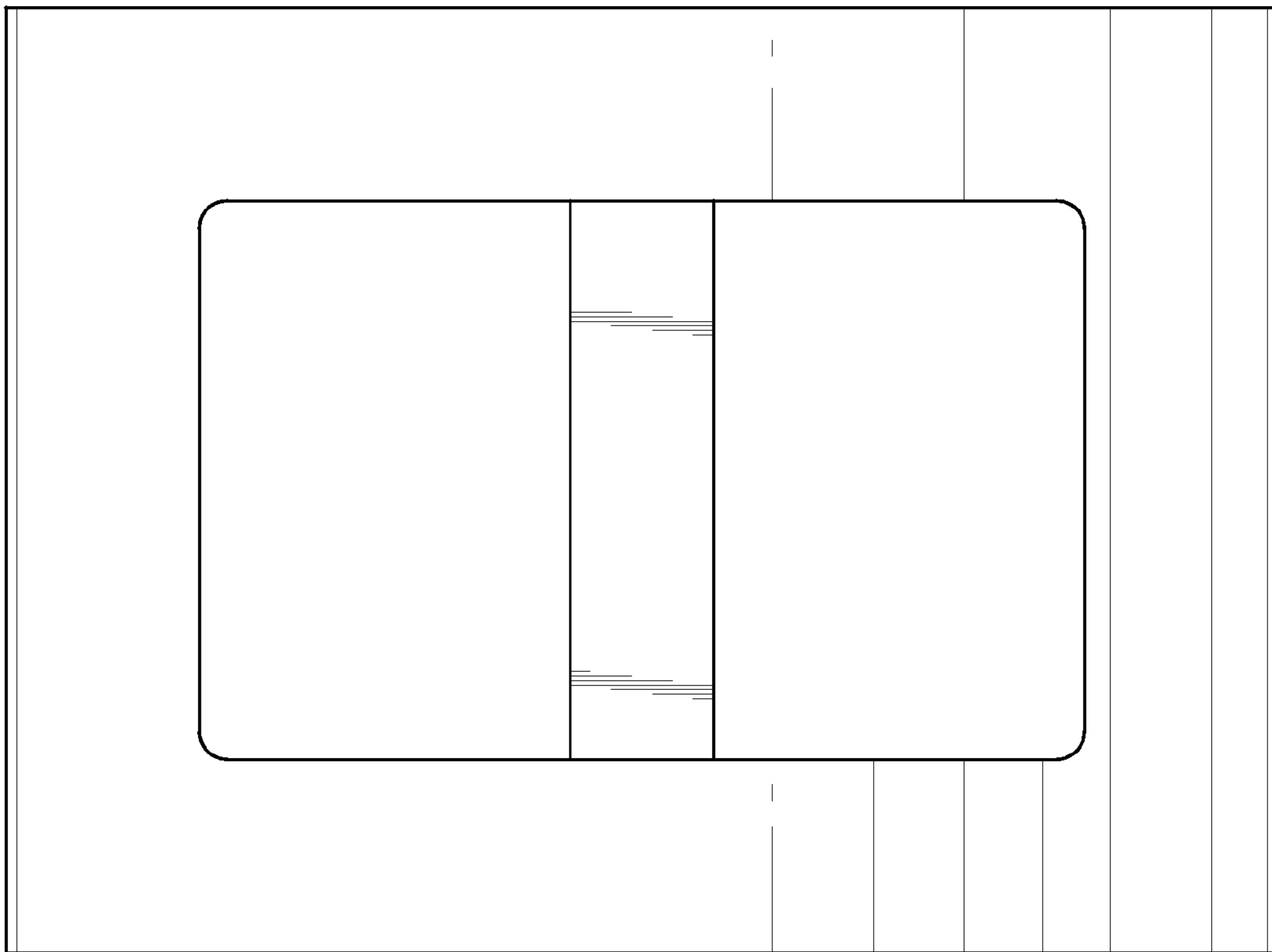


FIG. 2

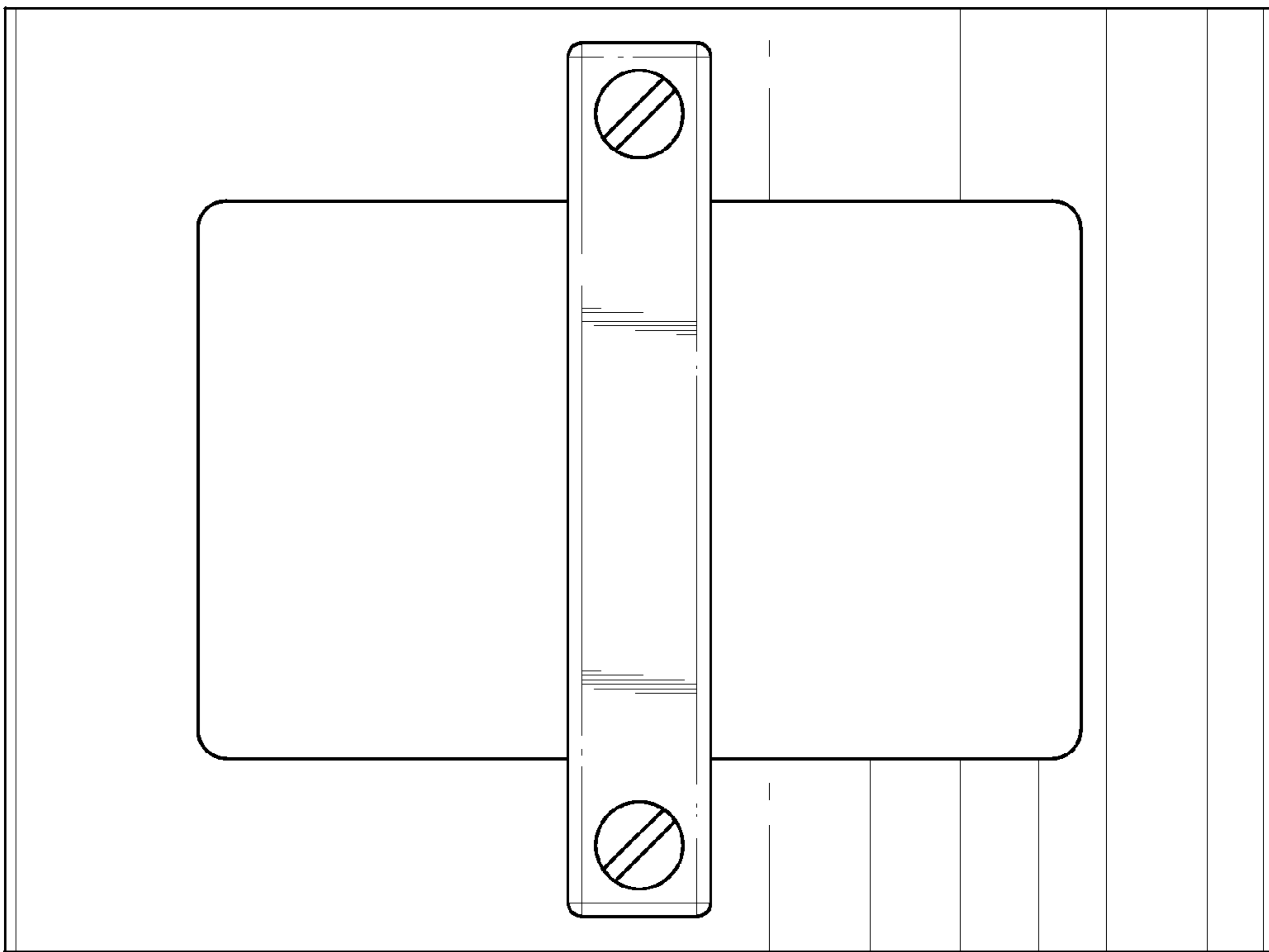


FIG. 3

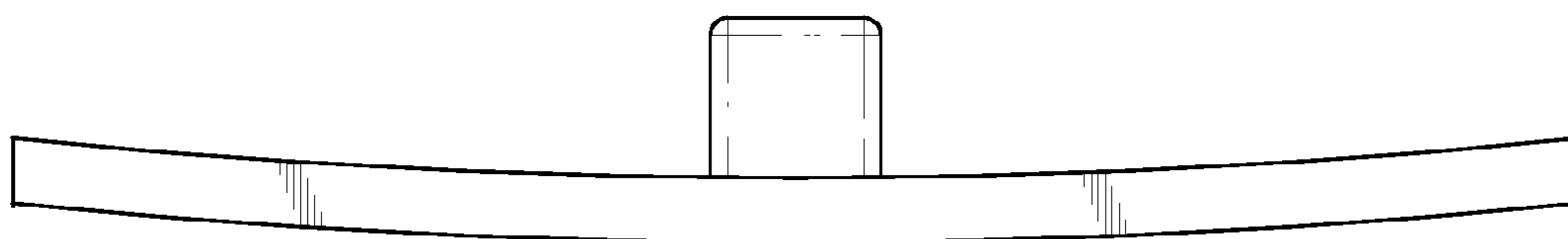


FIG. 4

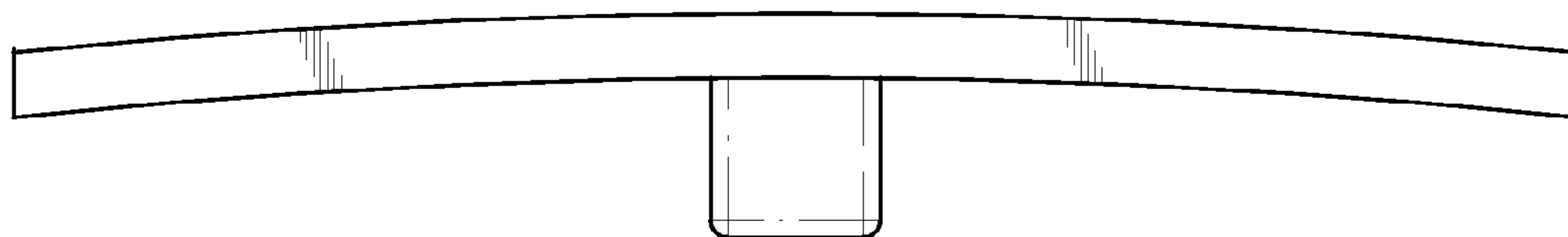


FIG. 5

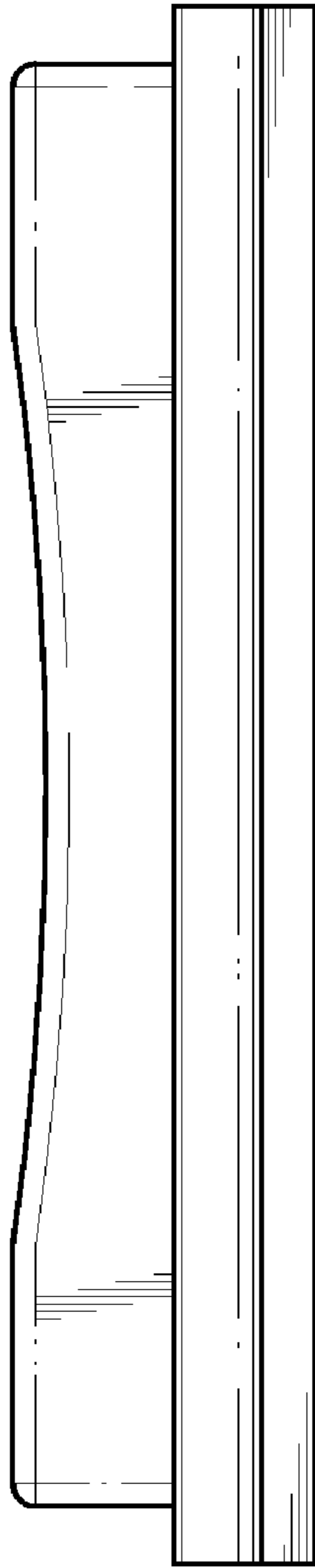


FIG. 6

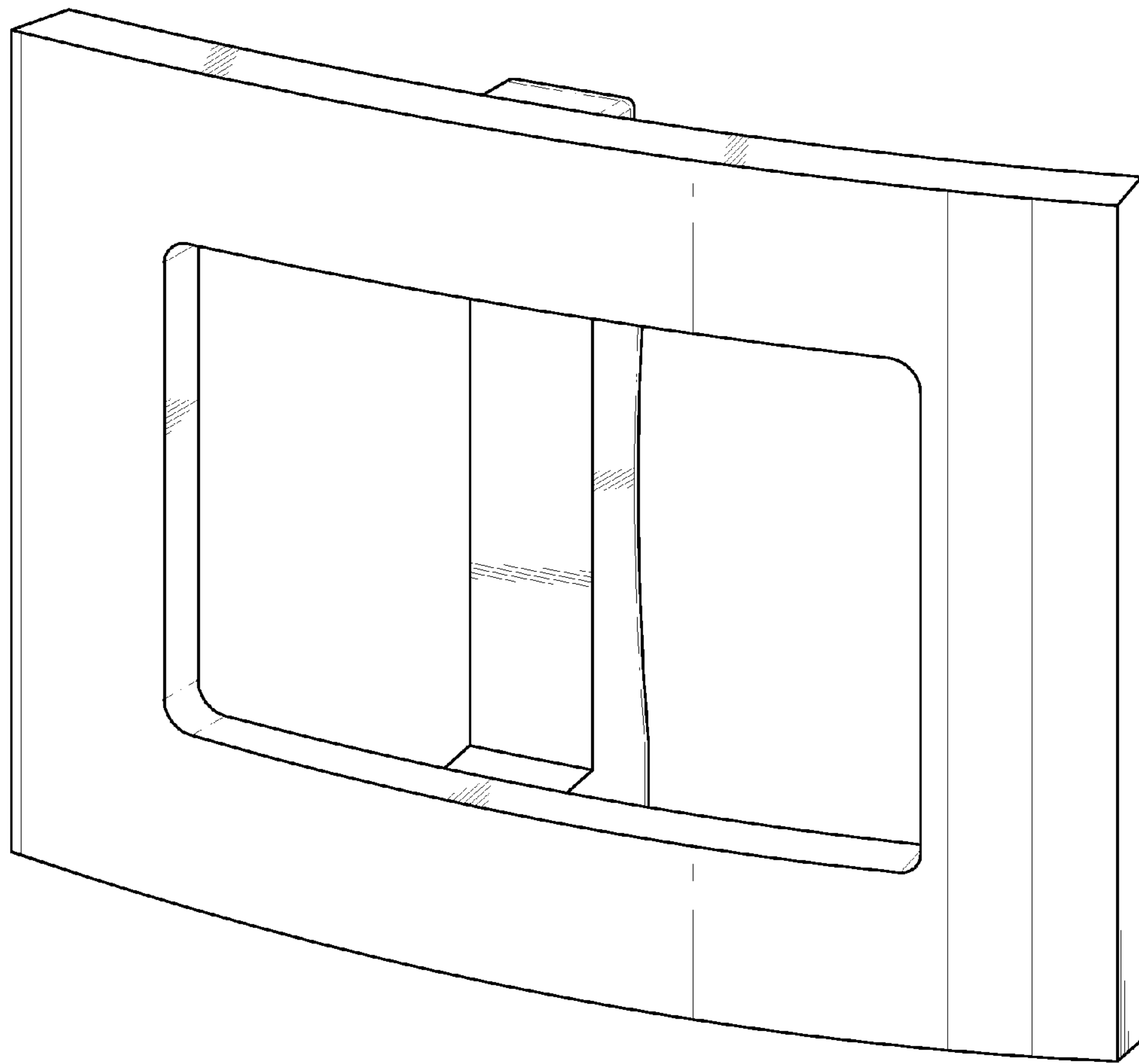


FIG. 7