

US00D602977S

(12) **United States Design Patent**
Falvo

(10) **Patent No.:** **US D602,977 S**
(45) **Date of Patent:** **** Oct. 27, 2009**

(54) **SAFETY EYEWEAR**

(75) Inventor: **Joseph S. Falvo**, Johnston, RI (US)

(73) Assignee: **Sperian Eye & Face Protection Inc.**,
Smithfield, RI (US)

(**) Term: **14 Years**

(21) Appl. No.: **29/322,641**

(22) Filed: **Aug. 8, 2008**

(51) **LOC (9) Cl.** **16-06**

(52) **U.S. Cl.** **D16/315**

(58) **Field of Classification Search** D16/101,
D16/300-342; D29/109-110; D24/110.2;
351/41, 44, 51-52, 62, 158, 92, 103-123,
351/140, 153, 45-46; 2/426-432, 447-449,
2/441, 434-437, 13, 15; D21/483, 659-661
See application file for complete search history.

5,900,922 A	5/1999	Moore	
D418,154 S	12/1999	Karasik	
D420,034 S	2/2000	Actis-Datta et al.	
6,089,709 A	7/2000	Fairclough	
D437,415 S	2/2001	Khalifa	
6,276,795 B1	8/2001	Hall et al.	
6,280,030 B1	8/2001	Chen	
6,349,422 B1	2/2002	Schleger et al.	
6,367,927 B2	4/2002	Yang	
6,561,647 B1	5/2003	Chen	
D481,059 S *	10/2003	Egbert et al.	D16/316
D483,792 S *	12/2003	Egbert et al.	D16/315
D527,752 S	9/2006	Canavan et al.	
7,150,525 B1	12/2006	Yang	
D539,328 S *	3/2007	Yang	D16/315
D539,829 S *	4/2007	Chuang	D16/315
D549,761 S *	8/2007	Yang	D16/314
D549,762 S *	8/2007	Yang	D16/316
D552,662 S	10/2007	Woxing	
D552,664 S *	10/2007	Cheng	D16/315
D568,917 S	5/2008	Yee	
D568,918 S	5/2008	Yee	

(56) **References Cited**

U.S. PATENT DOCUMENTS

4,867,550 A	9/1989	Jannard	
4,952,043 A	8/1990	Werner et al.	
D314,391 S	2/1991	Nussbickl	
D320,289 S	9/1991	Blackstone	
D321,703 S	11/1991	Grau	
D322,616 S	12/1991	Wiedner	
D327,283 S *	6/1992	Bolle	D16/315
D331,765 S	12/1992	Canavan et al.	
D336,097 S	6/1993	Wiedner	
D337,596 S	7/1993	Canavan	
D342,958 S	1/1994	Canavan	
D354,068 S	1/1995	Canavan et al.	
D354,968 S	1/1995	Jannard	
5,428,410 A	6/1995	Lei	
D360,645 S	7/1995	Canavan et al.	
5,455,639 A	10/1995	Magdelaine et al.	
5,457,505 A	10/1995	Canavan et al.	
D365,837 S	1/1996	Canavan	
D375,317 S	11/1996	Canavan	
D375,320 S	11/1996	Canavan	
D376,613 S	12/1996	Stepan et al.	
5,617,588 A	4/1997	Canavan et al.	
D380,003 S	6/1997	Wiedner	

* cited by examiner

Primary Examiner—Raphael Barkai
(74) *Attorney, Agent, or Firm*—Barlow, Josephs & Holmes, Ltd.

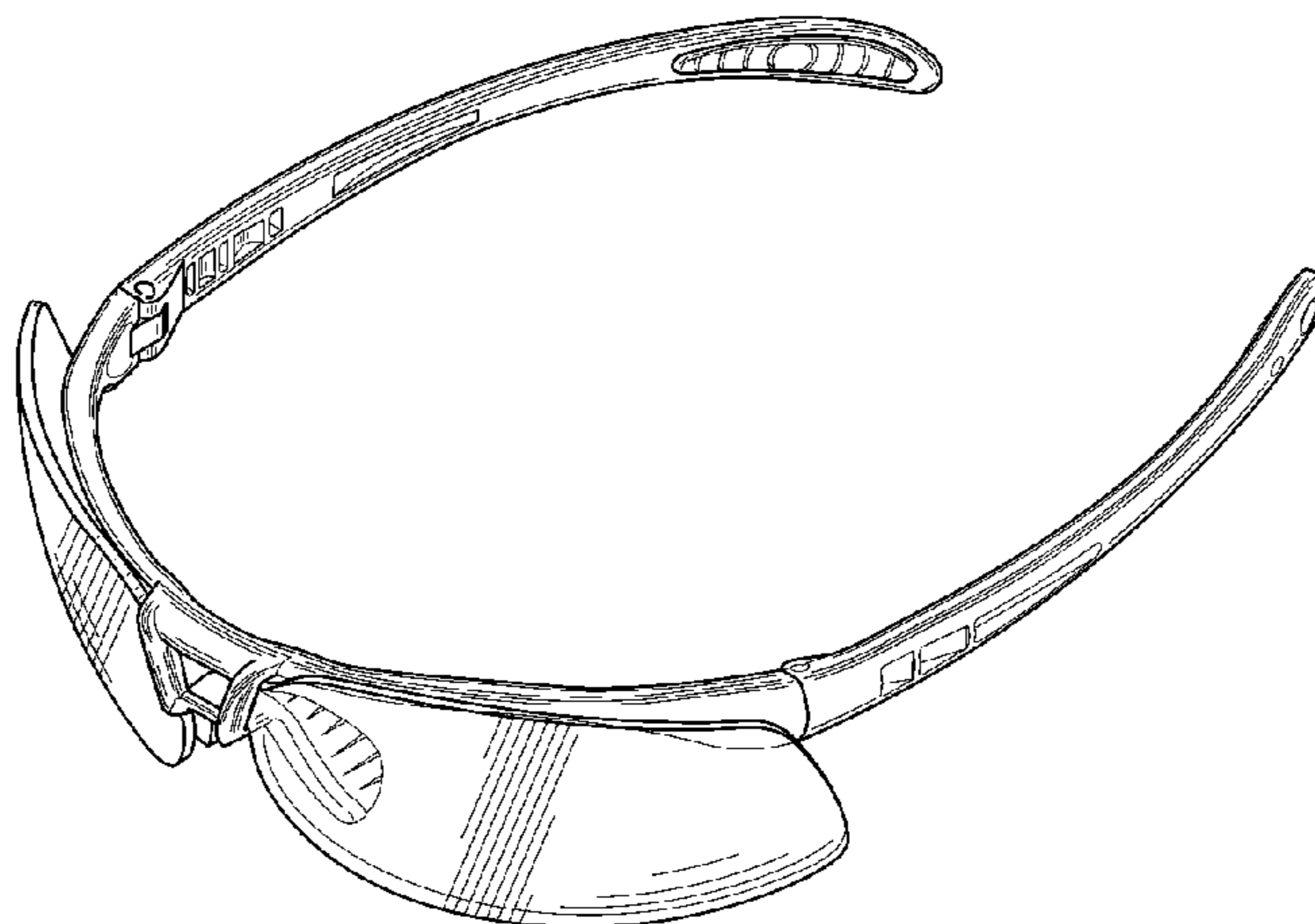
(57) **CLAIM**

The ornamental design for safety eyewear, as shown and described.

DESCRIPTION

FIG. 1 is a front perspective view of the safety eyewear in accordance with the present invention;
FIG. 2 is a front view thereof;
FIG. 3 is a right side view thereof;
FIG. 4 is a rear view thereof;
FIG. 5 is a top view thereof;
FIG. 6 is a left side view thereof; and,
FIG. 7 is a bottom view thereof.

1 Claim, 7 Drawing Sheets



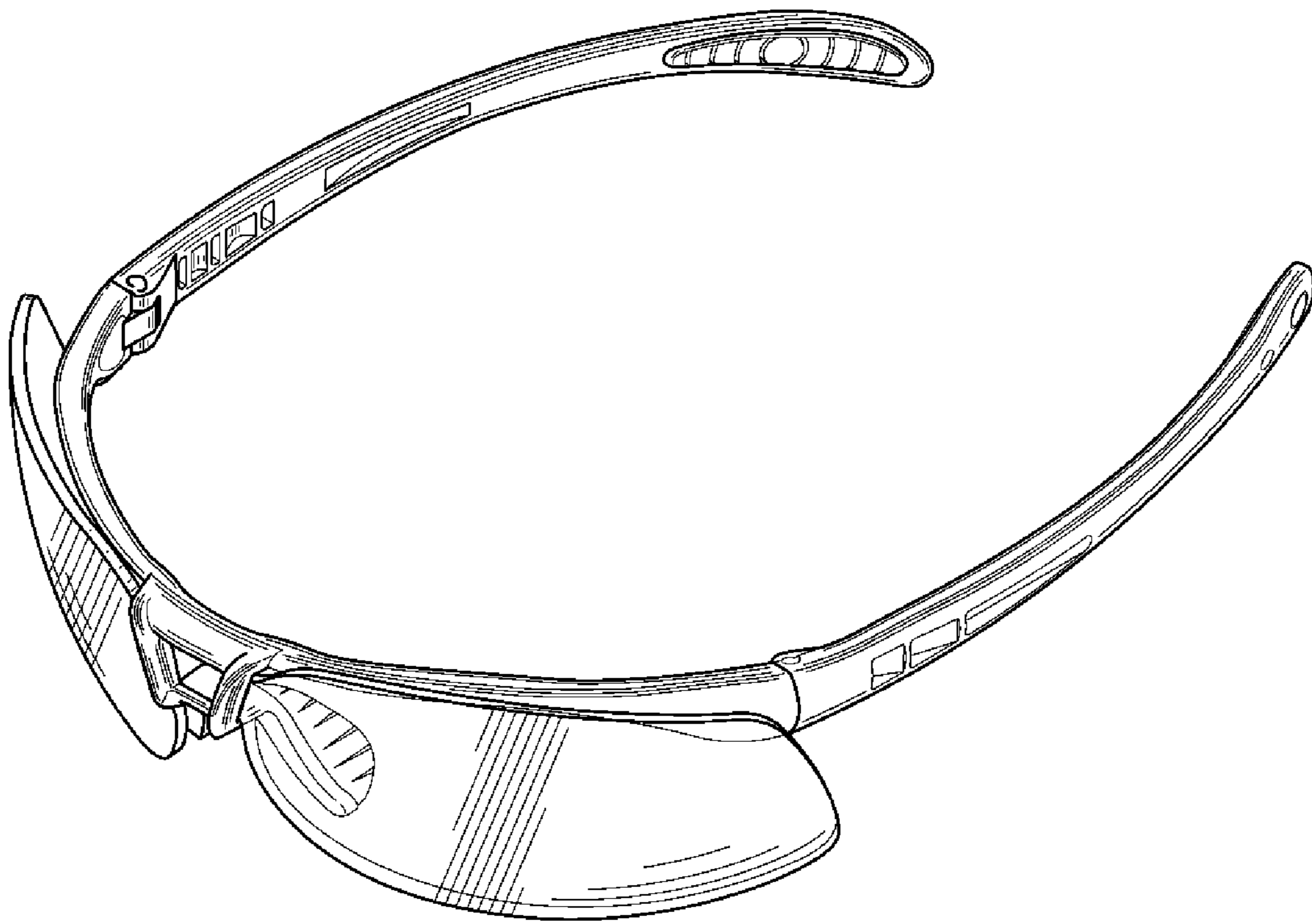


FIG. 1

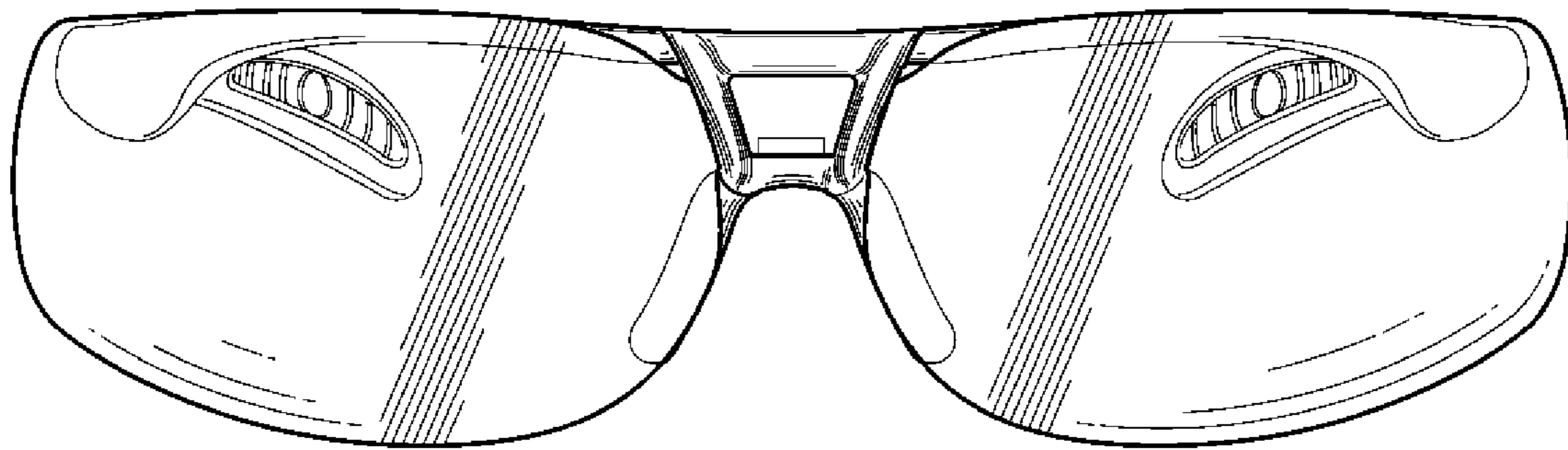


FIG. 2

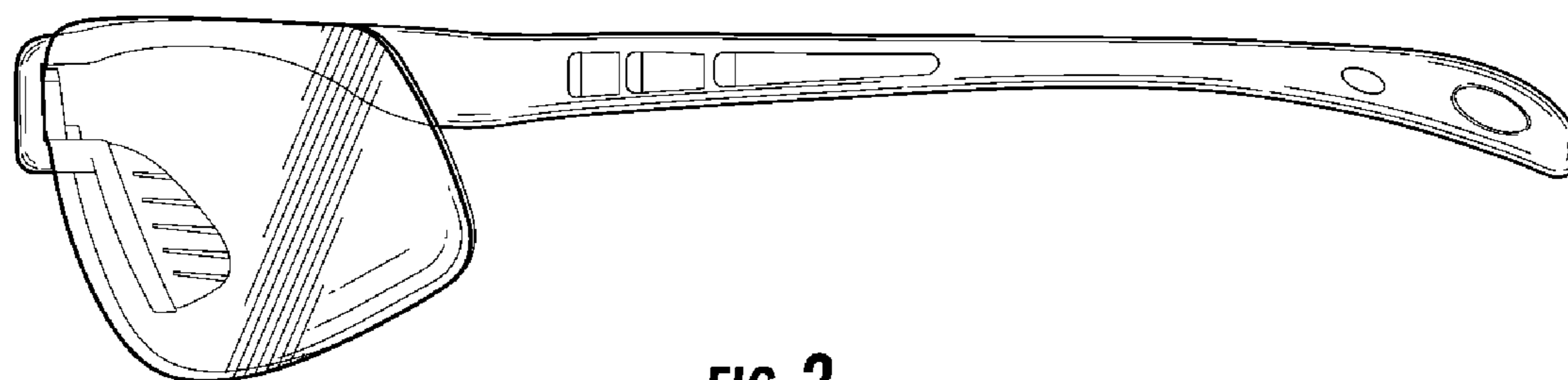


FIG. 3

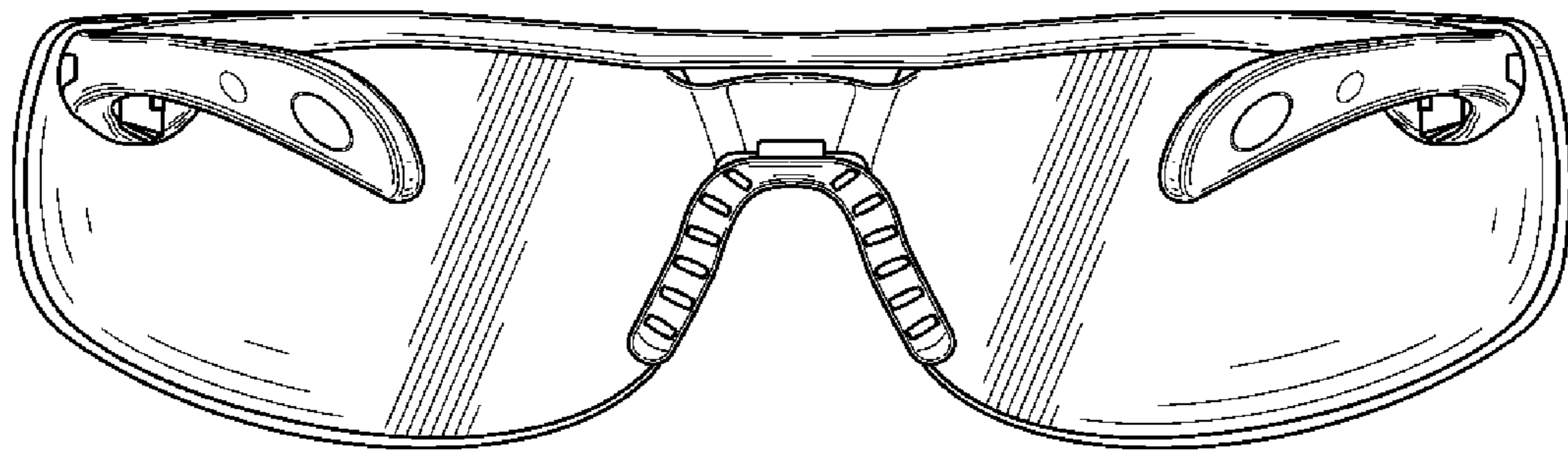


FIG. 4

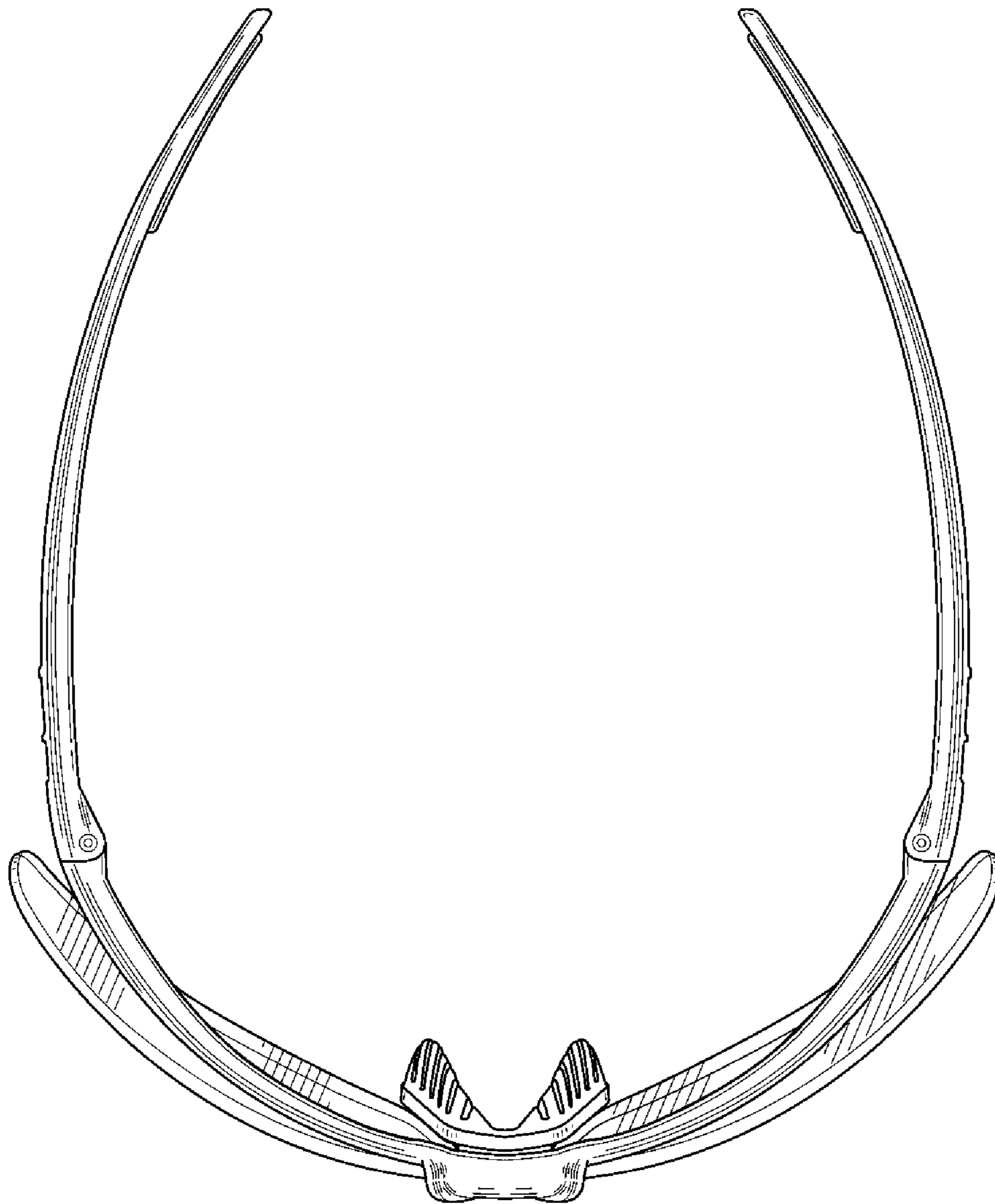


FIG. 5

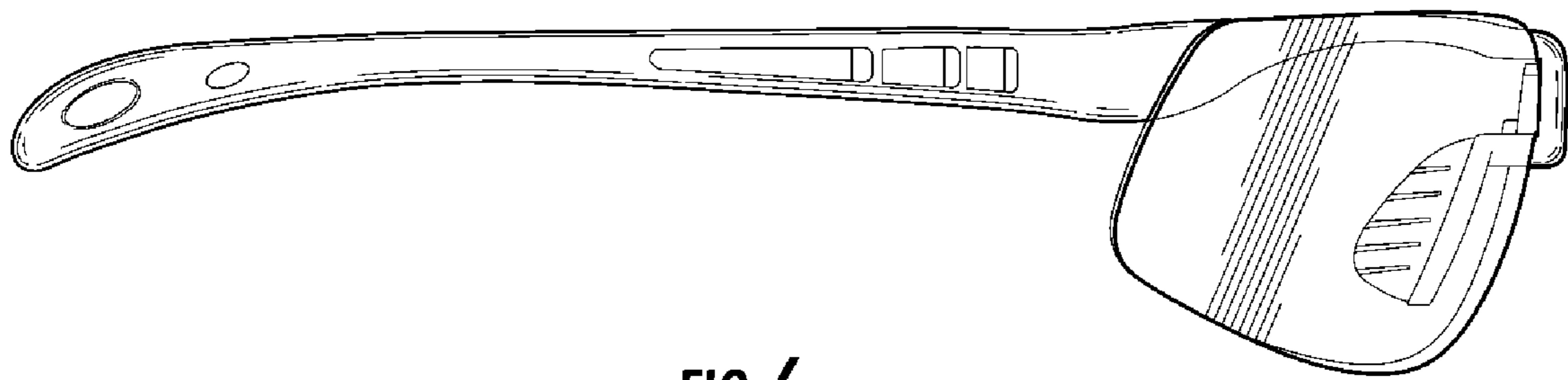


FIG. 6

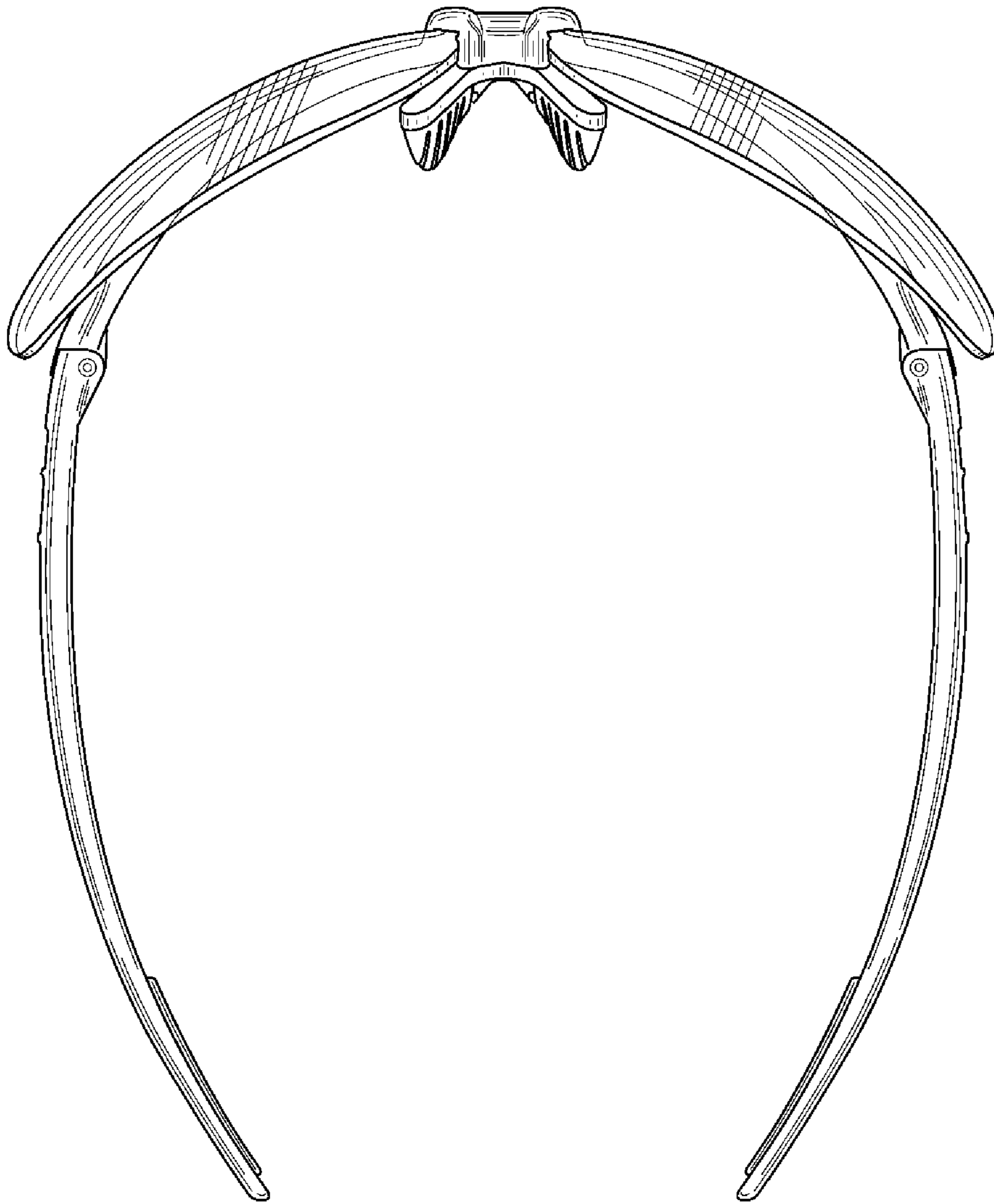


FIG. 7