



US00D602974S

(12) **United States Design Patent**  
**Zen**

(10) **Patent No.:** **US D602,974 S**  
(45) **Date of Patent:** **\*\* Oct. 27, 2009**

(54) **QUICK RELEASE ATTACHMENT DEVICE  
FOR A SUPPORT HEAD OF VIDEO AND  
PHOTOGRAPHIC APPARATUS**

*Primary Examiner*—Adir Aronovich  
(74) *Attorney, Agent, or Firm*—James C. Eaves, Jr.;  
Greenebaum Doll & McDonald PLLC

(75) Inventor: **Andrea Zen**, Bassano Del Grappa (IT)

(57) **CLAIM**

(73) Assignee: **Gitzo, S.A.**, Rungis (FR)

The ornamental design for a quick release attachment device for a support head of video and photographic apparatus, as shown and described.

(\*\*) Term: **14 Years**

(21) Appl. No.: **29/301,797**

**DESCRIPTION**

(22) Filed: **Mar. 17, 2008**

(51) **LOC (9) Cl.** ..... **16-05**

FIG. 1 is a top, front and right side perspective view of a quick release attachment device for a support head of video and photographic apparatus showing my present design;

(52) **U.S. Cl.** ..... **D16/245; D16/242**

FIG. 2 is a top, front and left side perspective view thereof;

(58) **Field of Classification Search** ..... D16/237,  
D16/242, 244, 245; 248/176.1, 177.1, 185.1,  
248/187.1; 352/343; 396/419, 421, 428  
See application file for complete search history.

FIG. 3 is a front elevational view thereof;

FIG. 4 is a right side elevational view thereof;

(56) **References Cited**

**U.S. PATENT DOCUMENTS**

|                |         |                |       |           |
|----------------|---------|----------------|-------|-----------|
| D353,825 S *   | 12/1994 | Forbes         | ..... | D16/242   |
| D399,230 S *   | 10/1998 | Tenne          | ..... | D16/245   |
| 6,196,504 B1 * | 3/2001  | Lemke          | ..... | 248/187.1 |
| D483,789 S *   | 12/2003 | Dordick        | ..... | D16/245   |
| 6,773,172 B1 * | 8/2004  | Johnson et al. | ..... | 396/428   |
| 7,077,582 B2 * | 7/2006  | Johnson        | ..... | 396/428   |
| 7,185,862 B1 * | 3/2007  | Yang           | ..... | 248/187.1 |

FIG. 5 is a left side elevational view thereof;

FIG. 6 is a rear elevational view thereof;

FIG. 7 is a top plan view thereof;

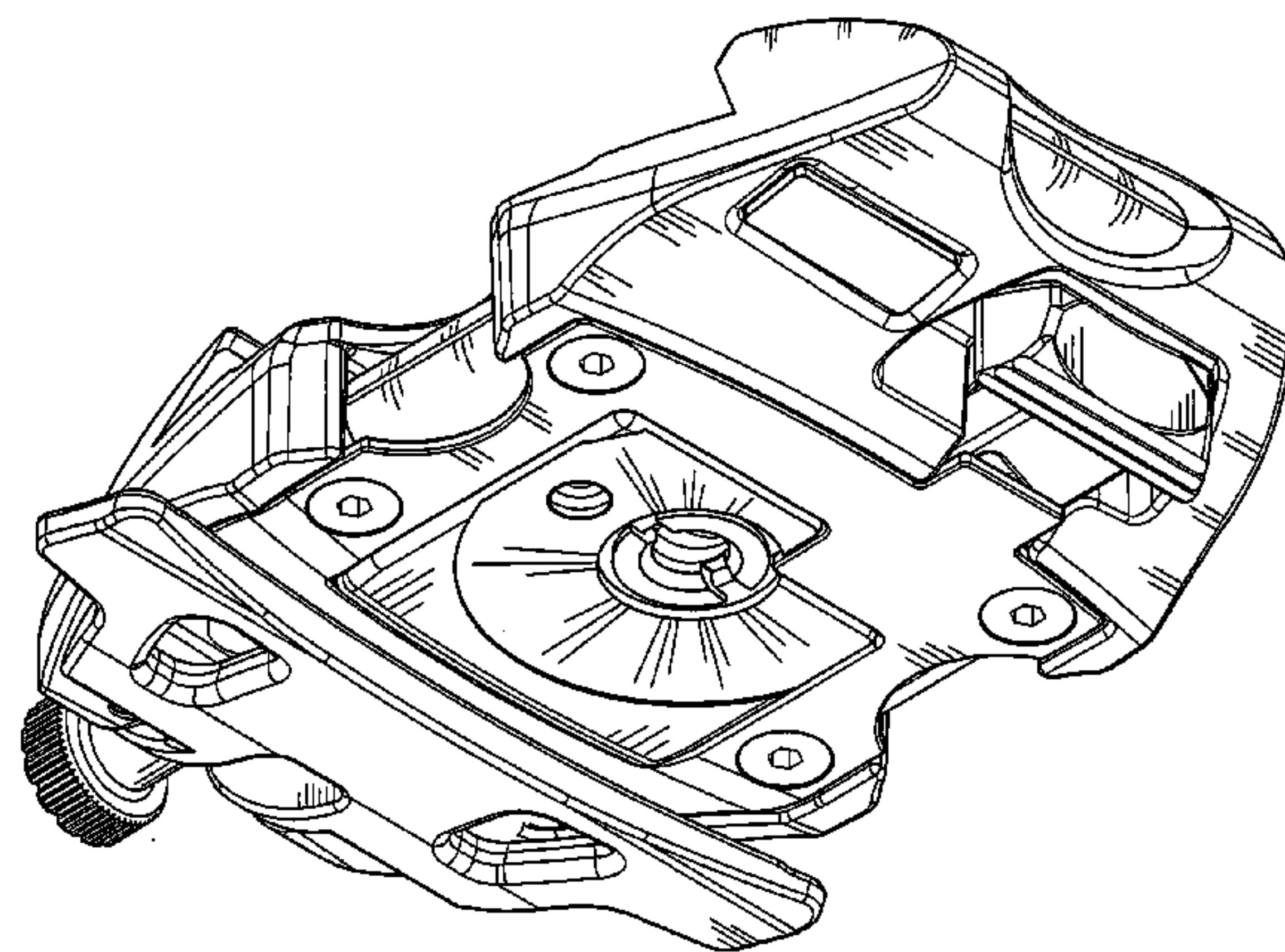
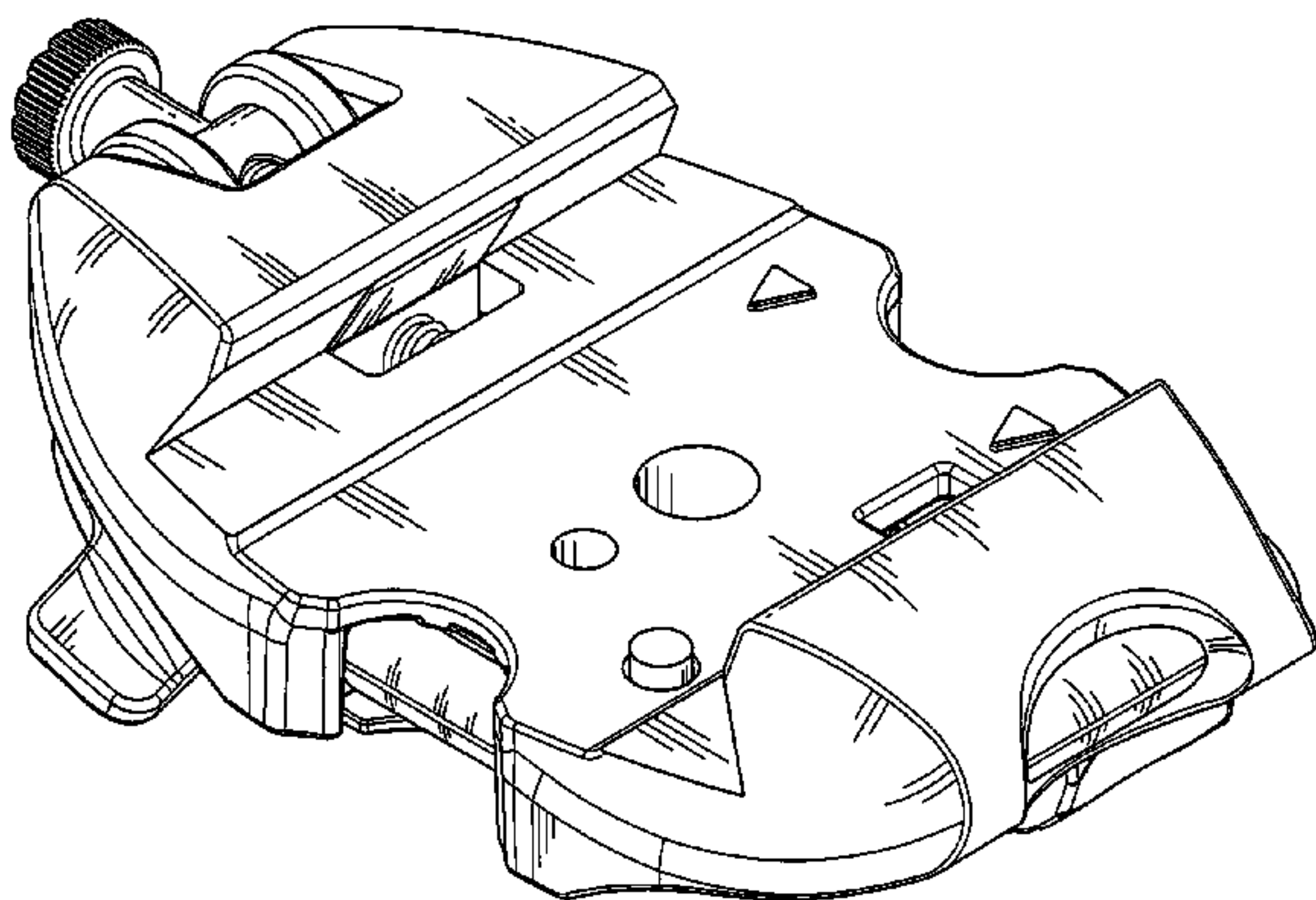
FIG. 8 is a bottom plan view thereof;

FIG. 9 is a bottom and right side perspective view of a quick release attachment device; and,

FIG. 10 is a bottom and left side perspective view of a quick release attachment device.

\* cited by examiner

**1 Claim, 10 Drawing Sheets**



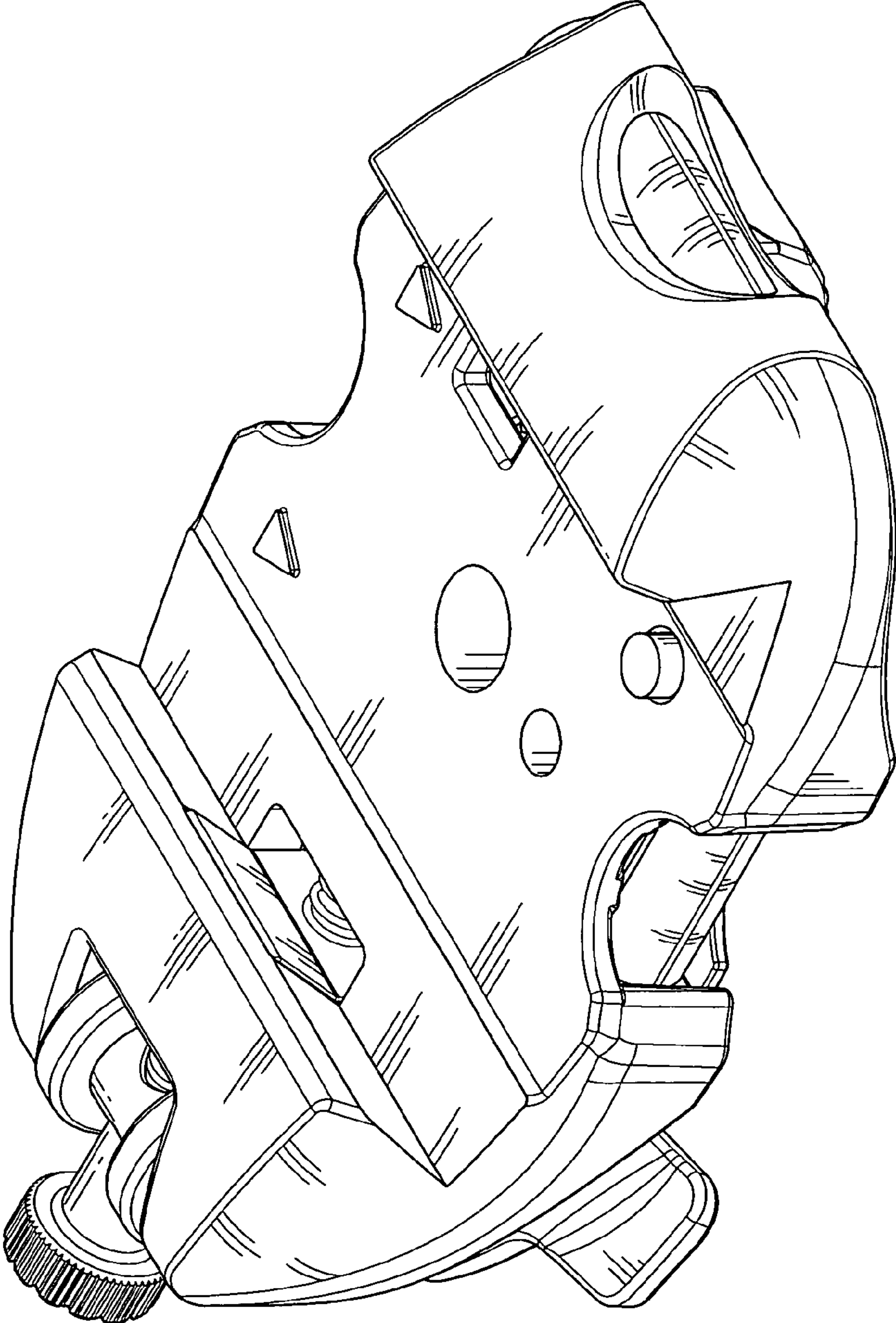


FIG. 1

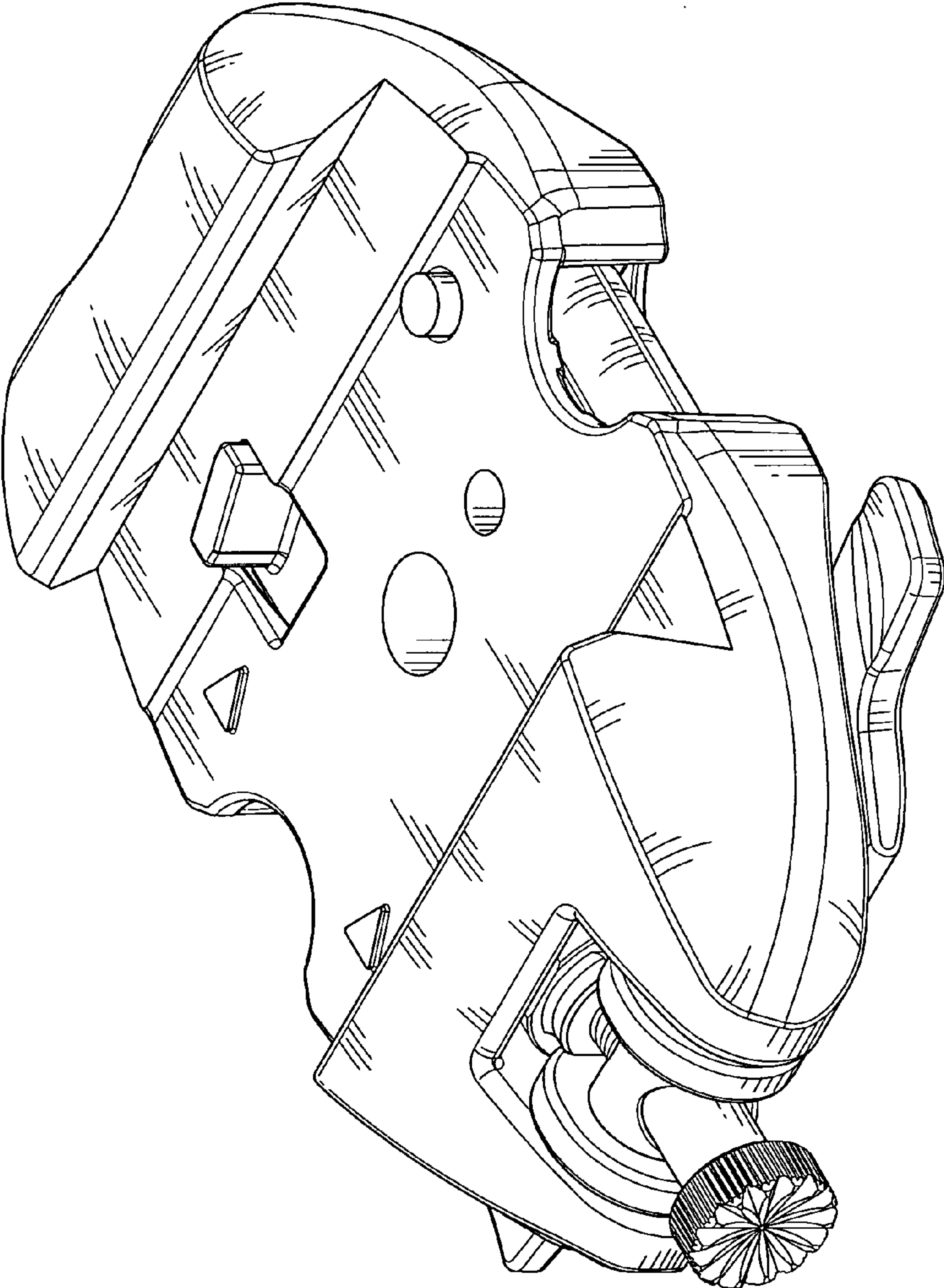


FIG. 2



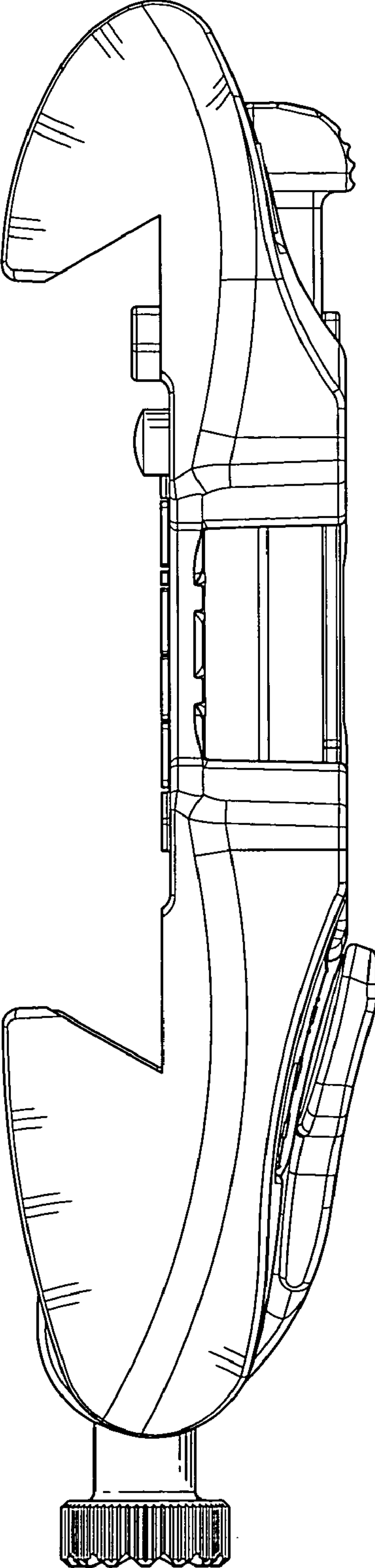


FIG. 3

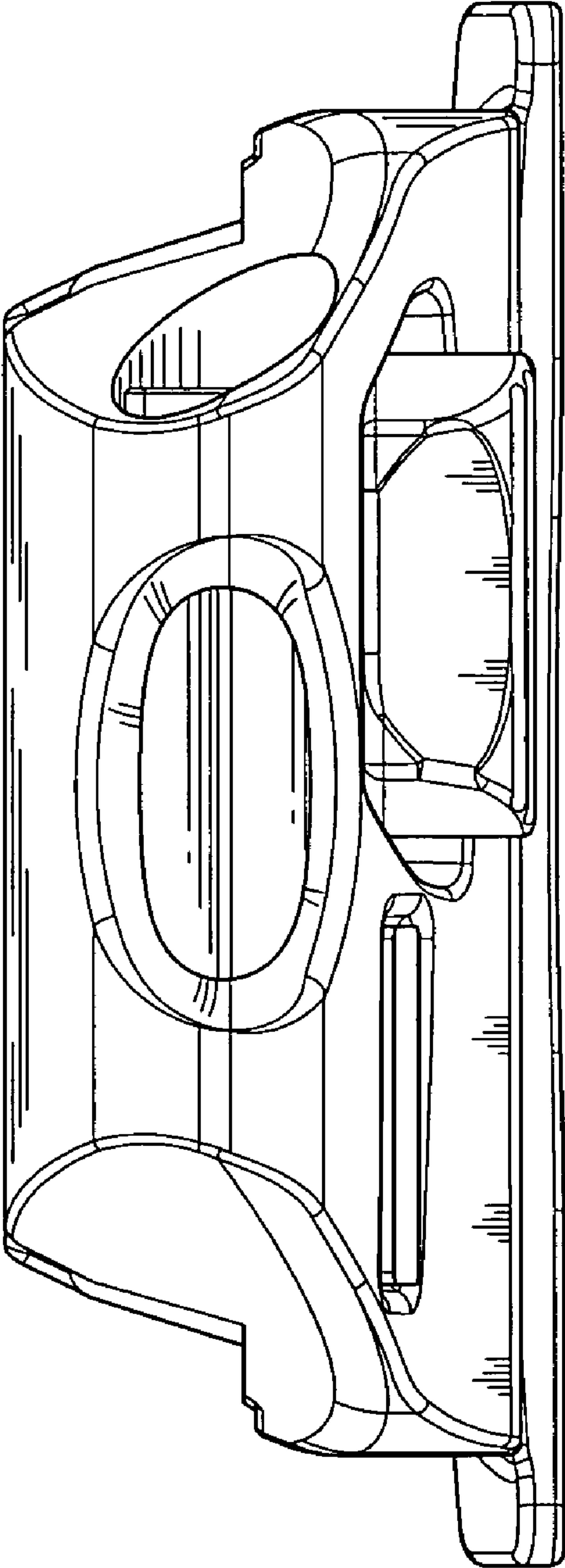


FIG. 4

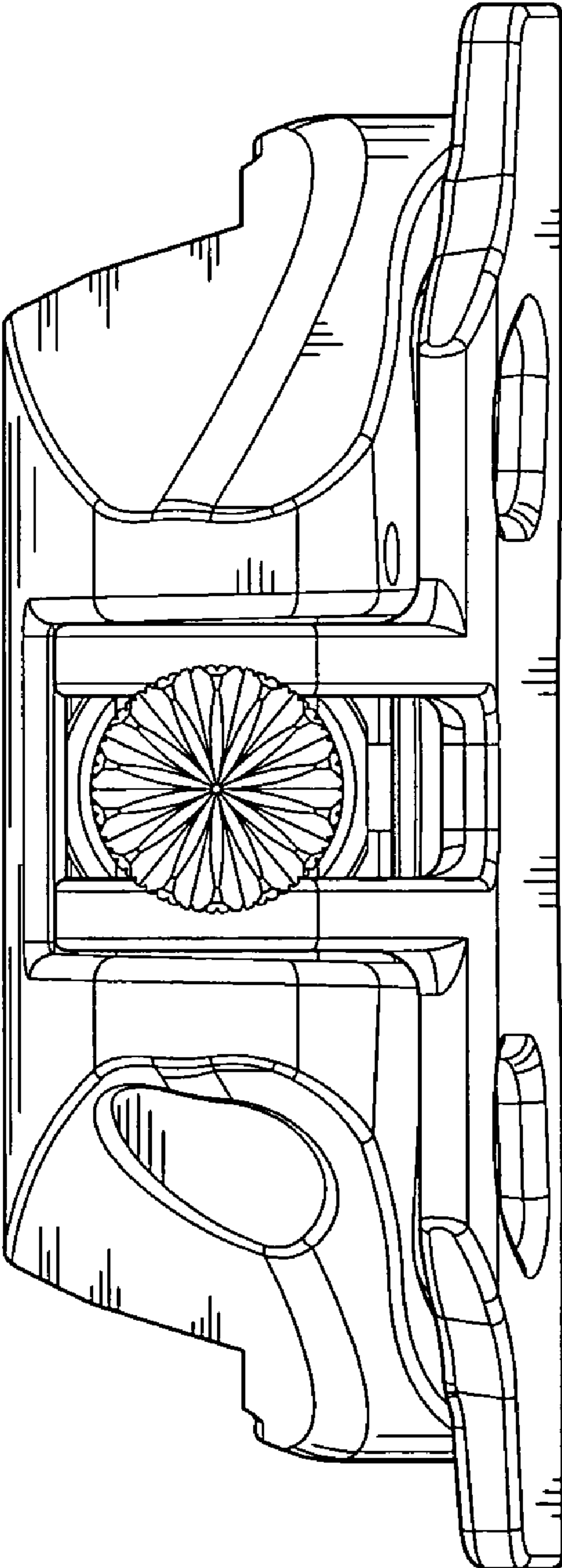


FIG. 5

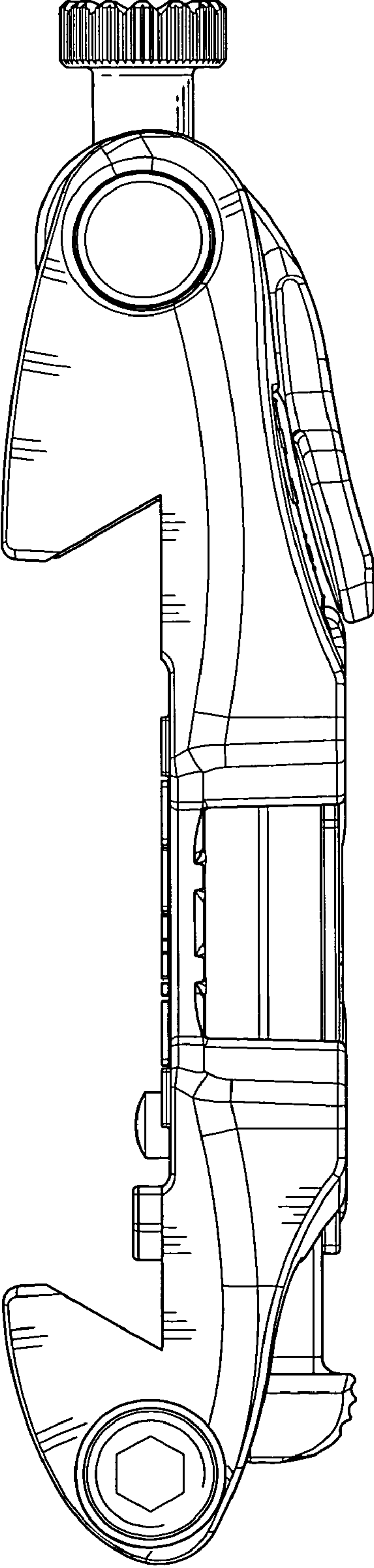


FIG. 6

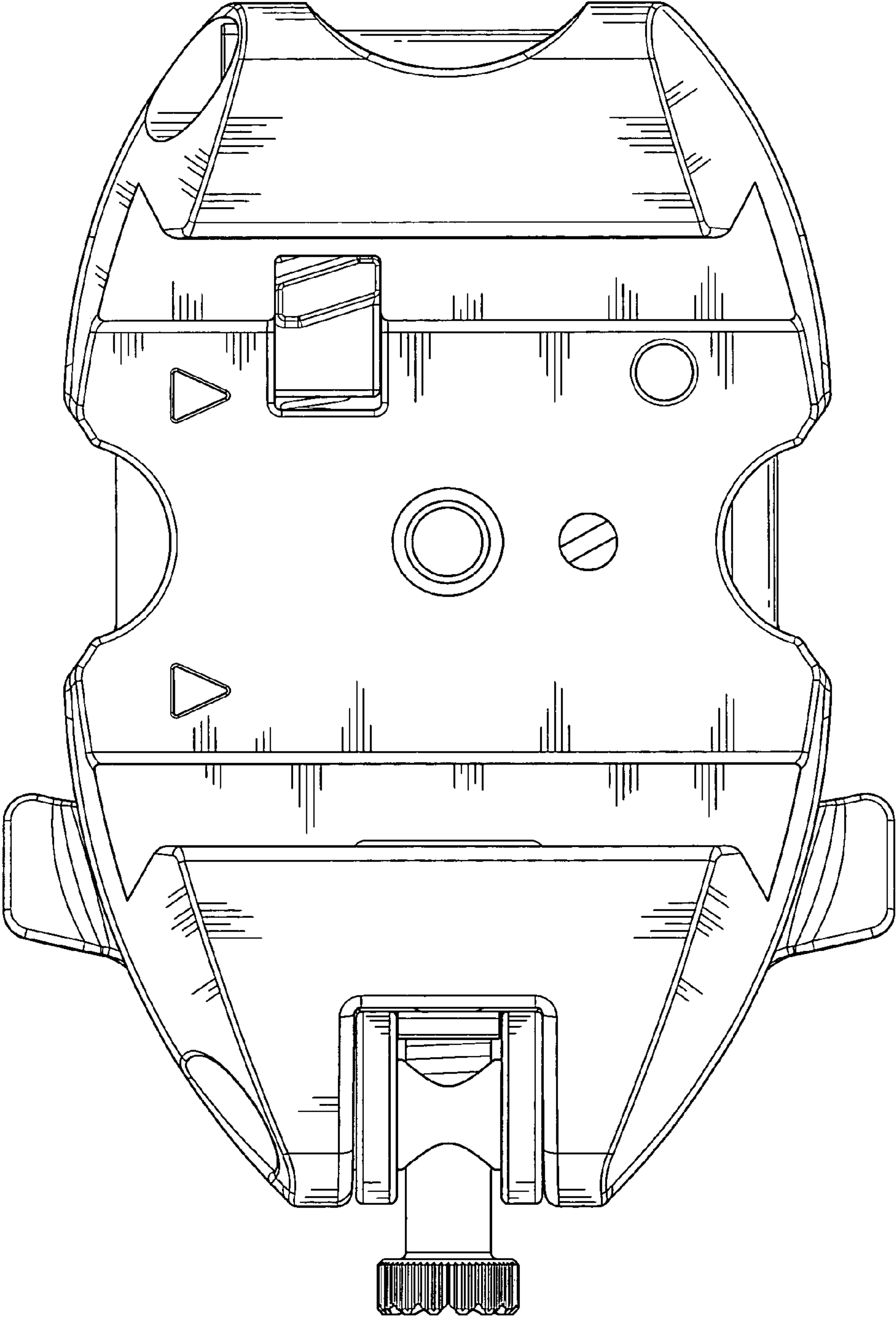


FIG. 7



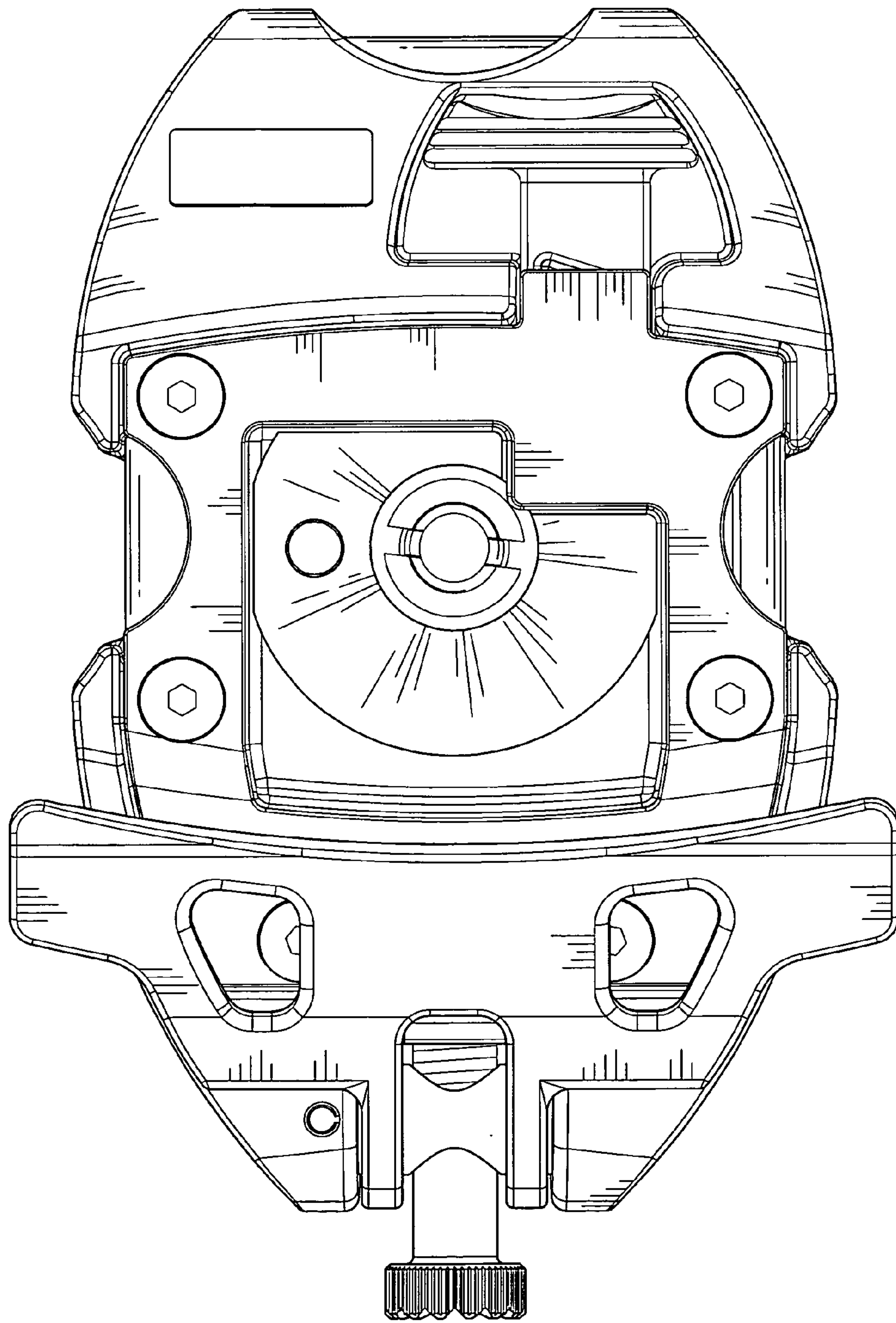


FIG. 8

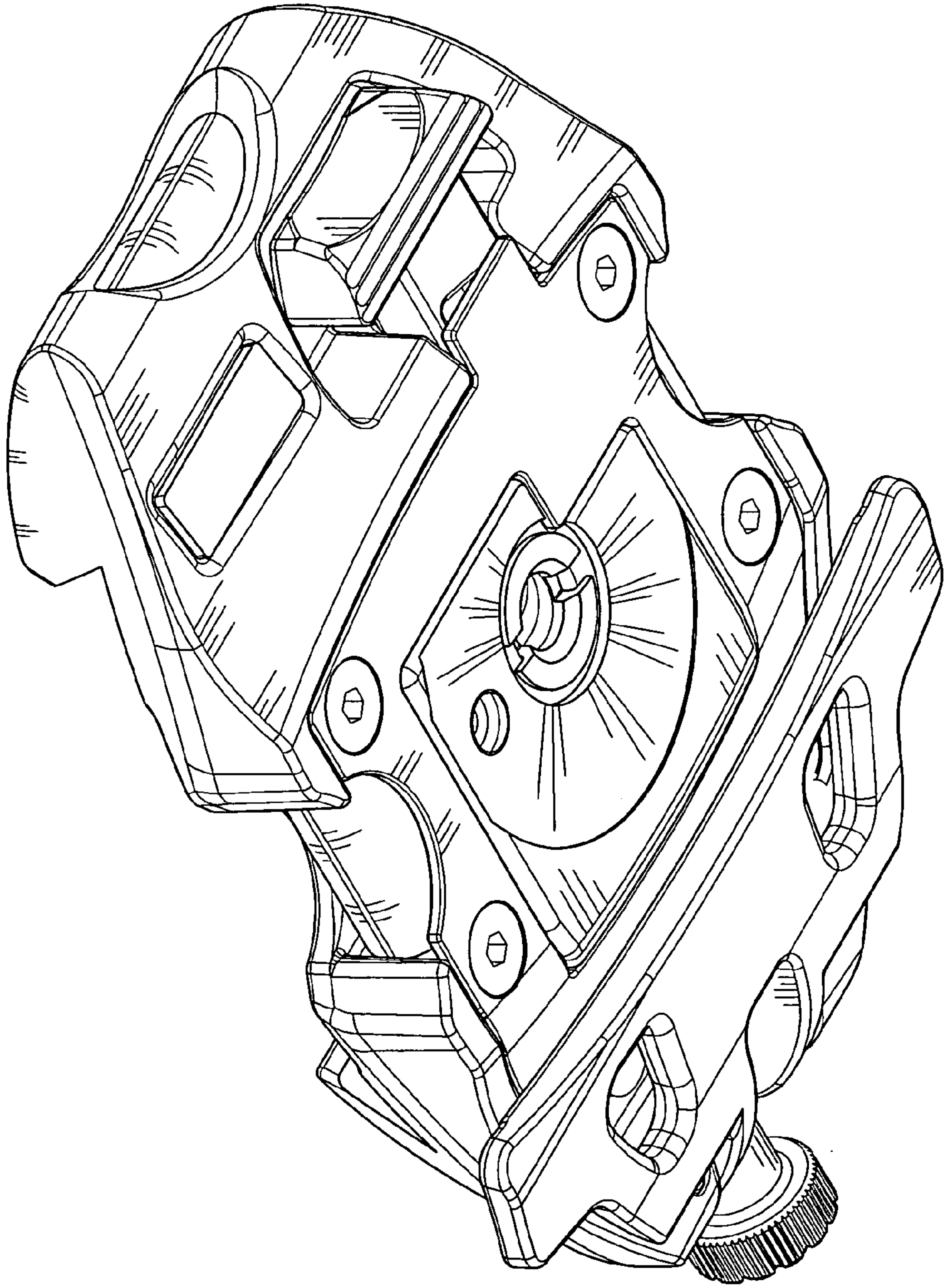


FIG. 9

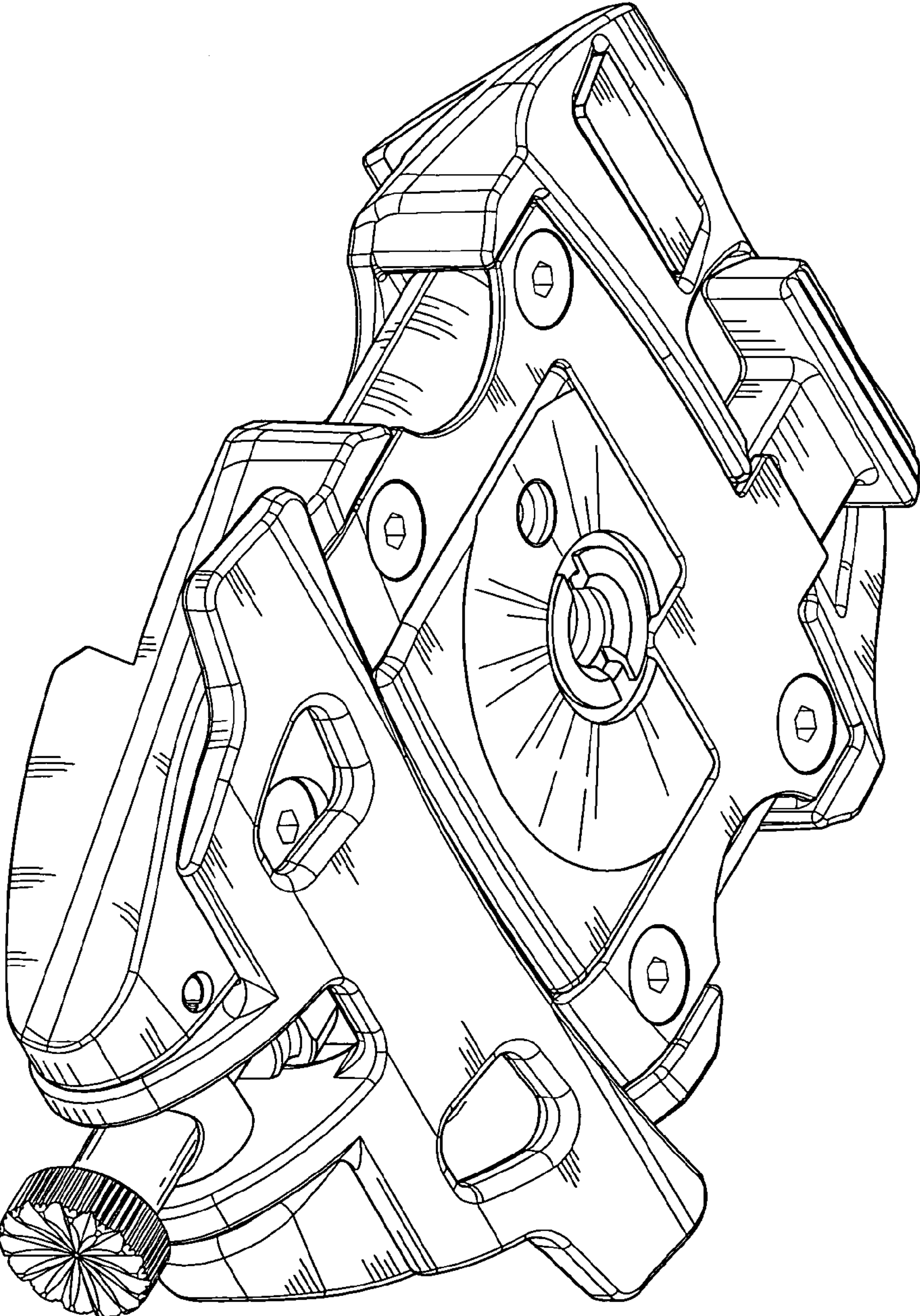


FIG. 10