



US00D602973S

(12) **United States Design Patent**
Adams et al.

(10) **Patent No.:** **US D602,973 S**

(45) **Date of Patent:** **** Oct. 27, 2009**

(54) **PORTABLE FRONT PROJECTION SCREEN**

(75) Inventors: **Douglas Adams**, Raleigh, NC (US);
Robert L. Wood, Cary, NC (US);
Edward Fadel, Hillsborough, NC (US);
Sean Hillard, Raleigh, NC (US)

(73) Assignee: **Bright View Technologies, Inc.**,
Morrisville, NC (US)

(**) Term: **14 Years**

(21) Appl. No.: **29/297,297**

(22) Filed: **Nov. 8, 2007**

(51) **LOC (9) Cl.** **16-05**

(52) **U.S. Cl.** **D16/241**

(58) **Field of Classification Search** D16/241;
160/24; 359/443, 461; 396/3, 4
See application file for complete search history.

(56) **References Cited**

U.S. PATENT DOCUMENTS

3,251,264	A *	5/1966	Jacobson	160/24
D490,835	S *	6/2004	Kotera	D16/241
D520,046	S *	5/2006	Miyagawa et al.	D16/241
7,092,166	B1	8/2006	Wood		
7,192,692	B2	3/2007	Wood et al.		
D548,765	S *	8/2007	Kotera et al.	D16/241
7,262,912	B2	8/2007	Wood		
D568,364	S *	5/2008	Jeoung et al.	D16/241
7,489,443	B2 *	2/2009	Congard et al.	359/461
7,489,444	B1 *	2/2009	Adams et al.	359/461

* cited by examiner

Primary Examiner—Adir Aronovich

(74) *Attorney, Agent, or Firm*—Myers Bigel Sibley & Sajovec, P.A.

(57) **CLAIM**

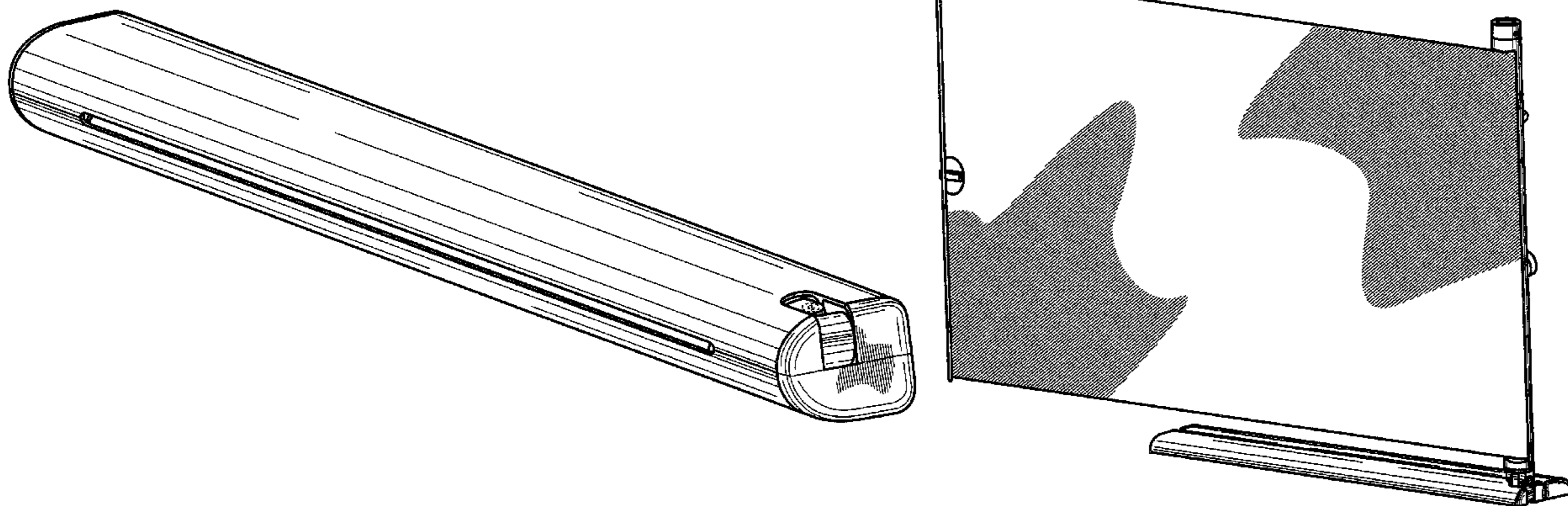
The ornamental design for a portable front projection screen, as shown and described.

DESCRIPTION

FIG. 1 is a front perspective view of the portable front projection screen in a closed configuration showing our design;
 FIG. 2 is a side view thereof;
 FIG. 3 is a top view thereof;
 FIG. 4 is an opposing side view of that shown in FIG. 2;
 FIG. 5 is a bottom view thereof;
 FIG. 6 is an end view thereof;
 FIG. 7 is an opposing end view thereof;
 FIG. 8 is a front perspective view of the portable front projection screen shown in an open configuration;
 FIG. 9 is a front view thereof;
 FIG. 10 is a side view thereof;
 FIG. 11 is an opposing side view thereof;
 FIG. 12 is a rear view thereof;
 FIG. 13 is a top view thereof;
 FIG. 14 is a bottom view thereof; and,
 FIG. 15 is a front perspective view thereof, illustrating the portable front projection screen in use and in optical communication with a front projector.

The broken lines including the front projector in FIG. 15 are shown to illustrate environment only and form no part of the claimed design.

1 Claim, 9 Drawing Sheets



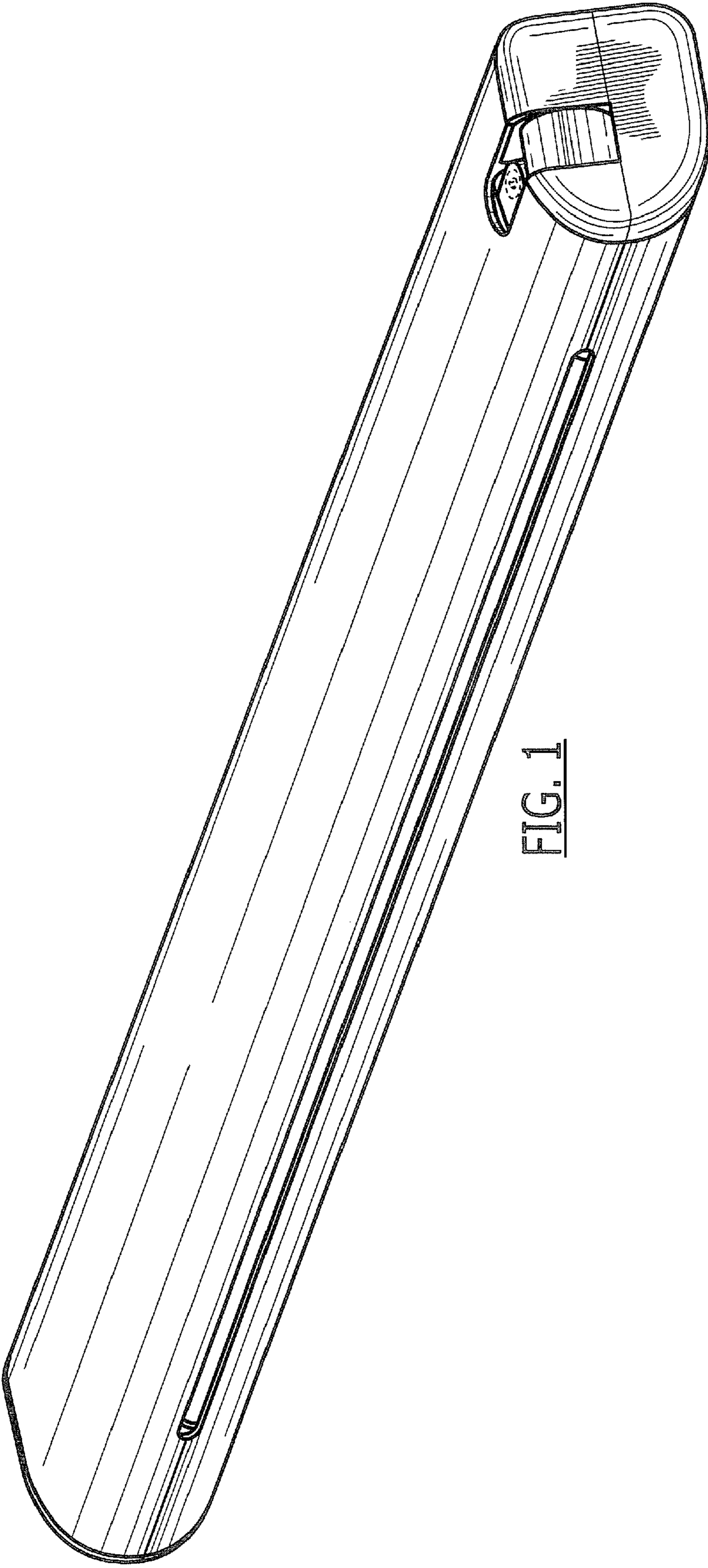


FIG. 1

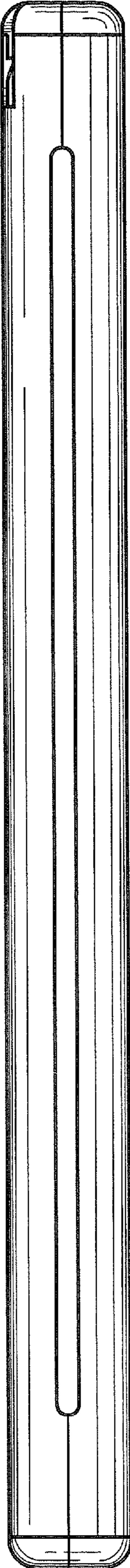


FIG. 2

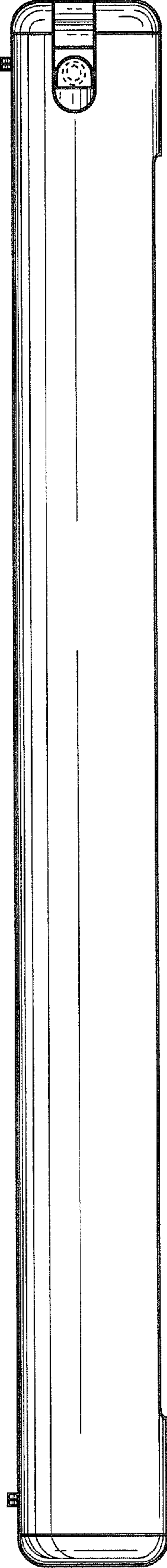


FIG. 3

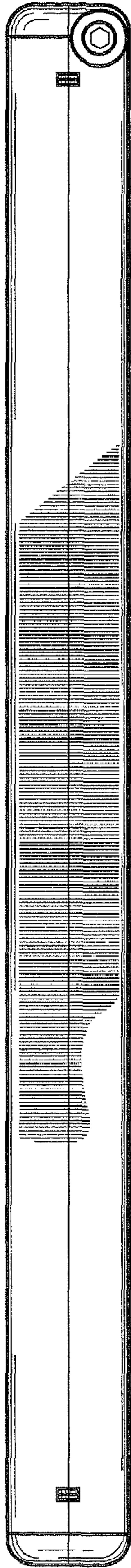


FIG. 4

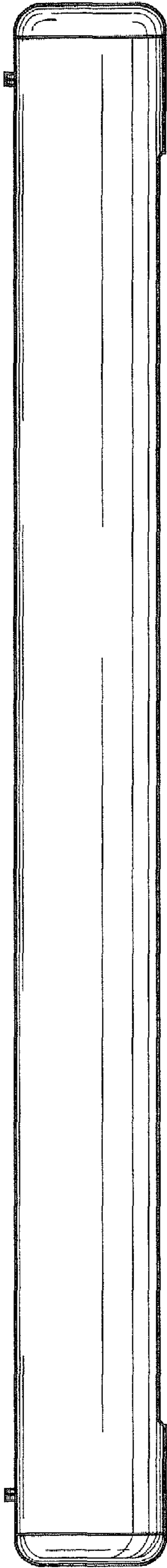


FIG. 5

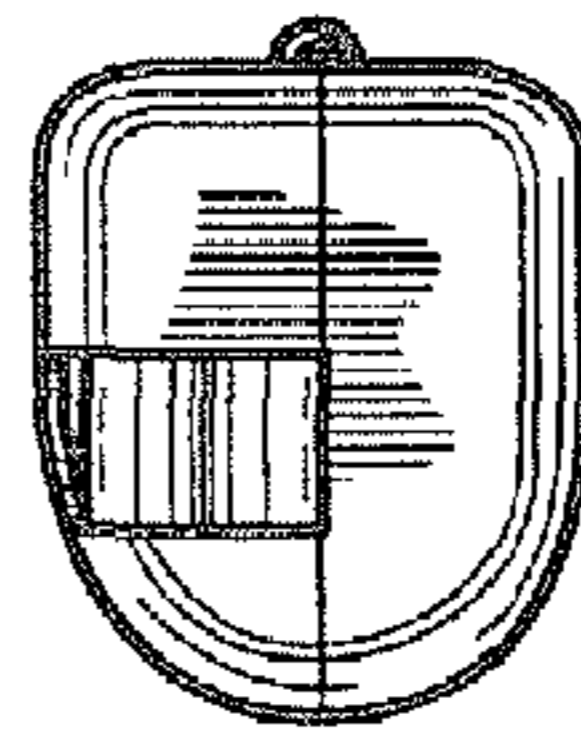


FIG. 6

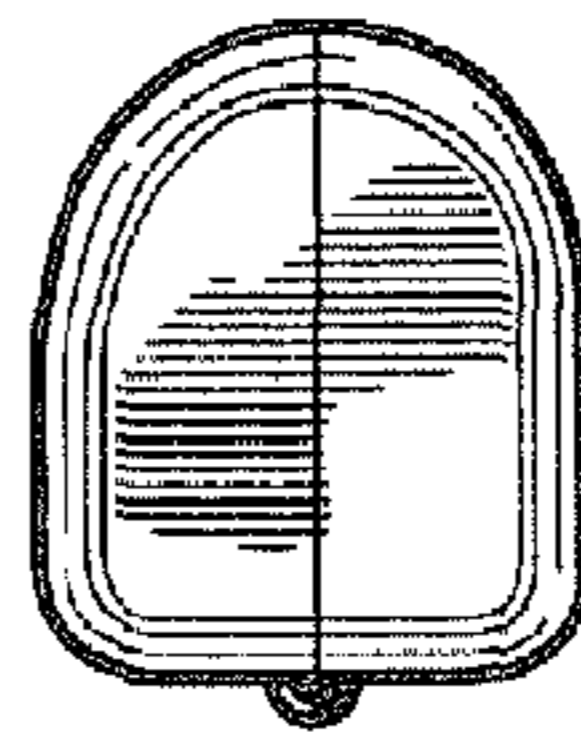


FIG. 7

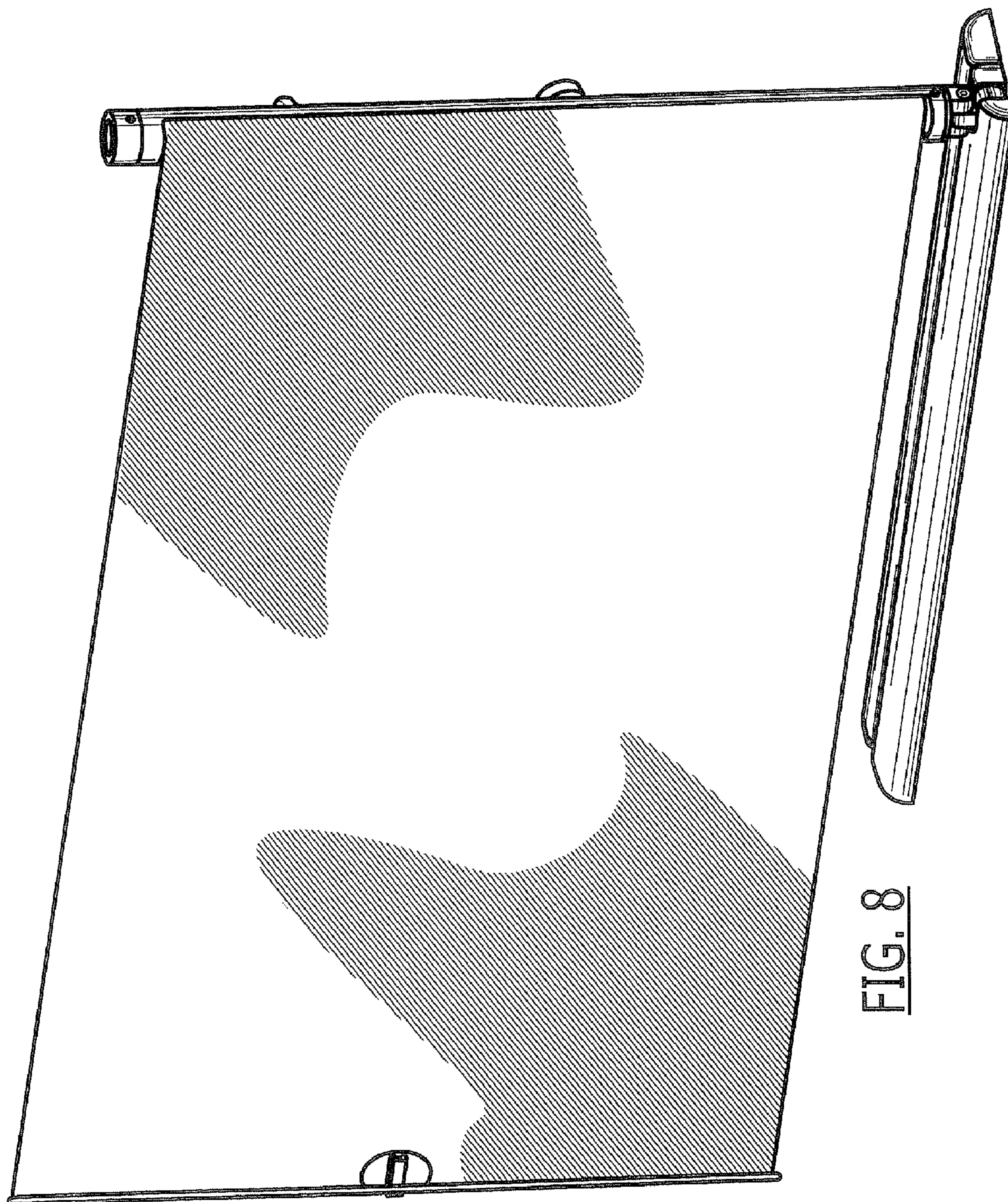


FIG. 8

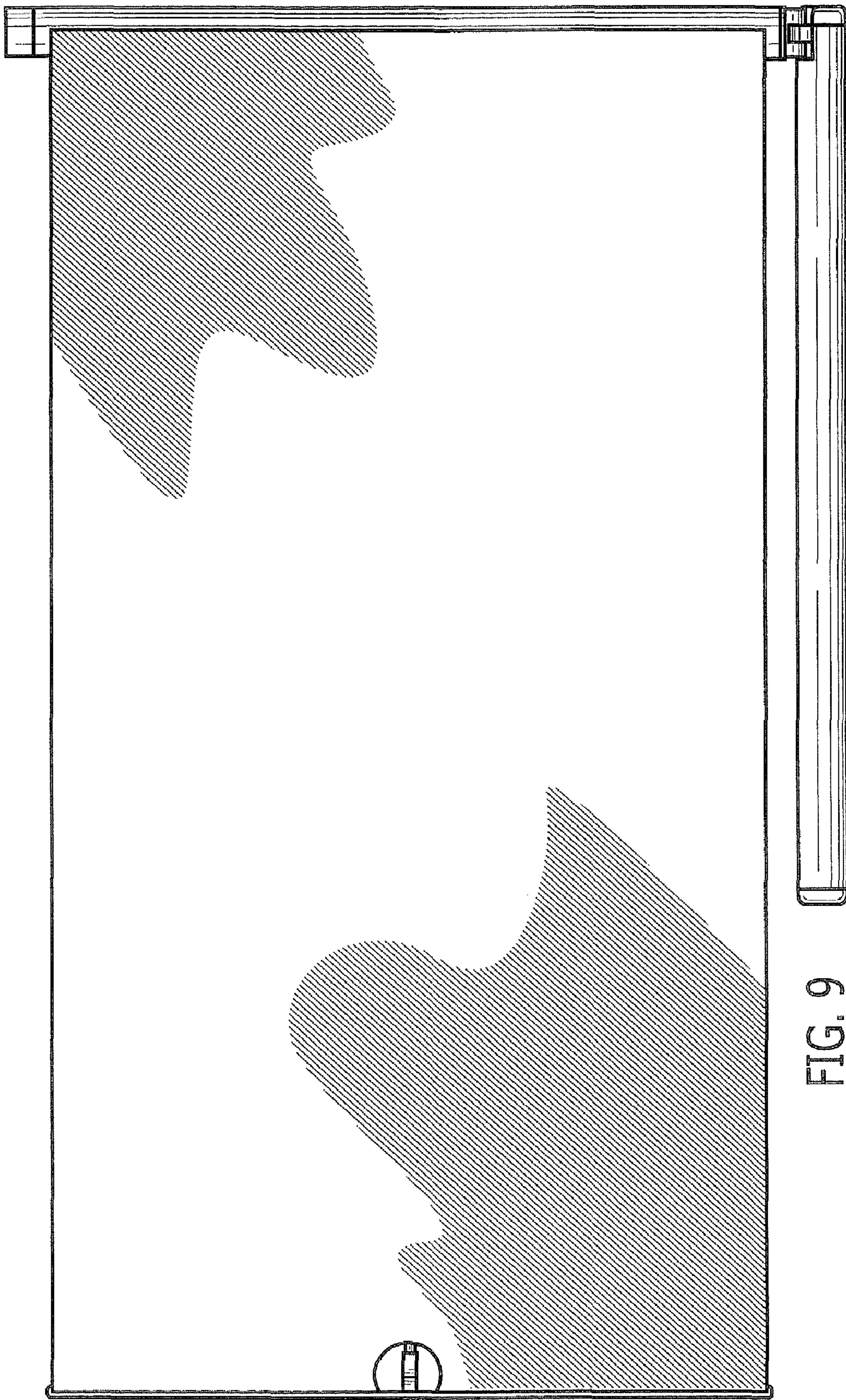


FIG. 9

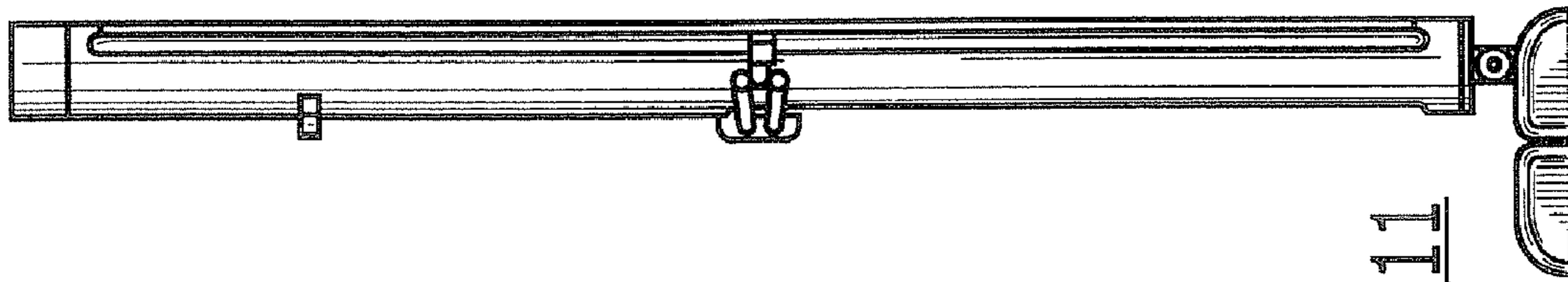


FIG. 11

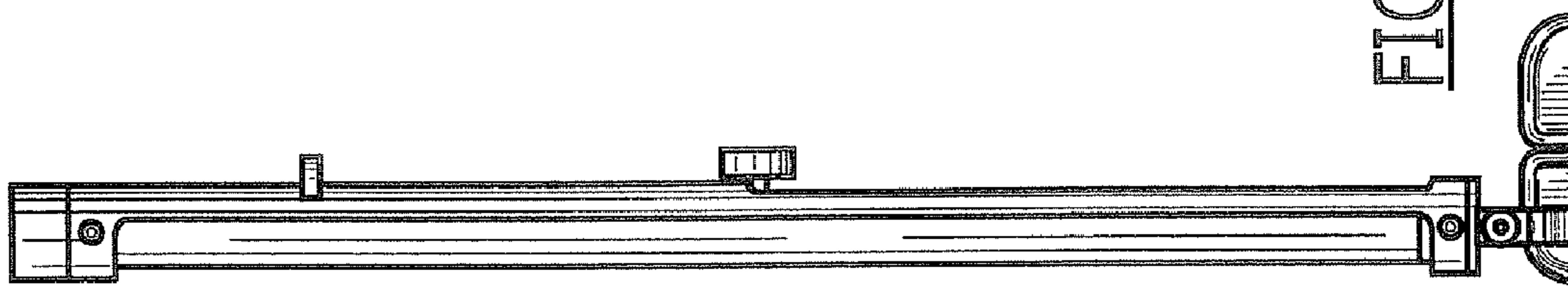
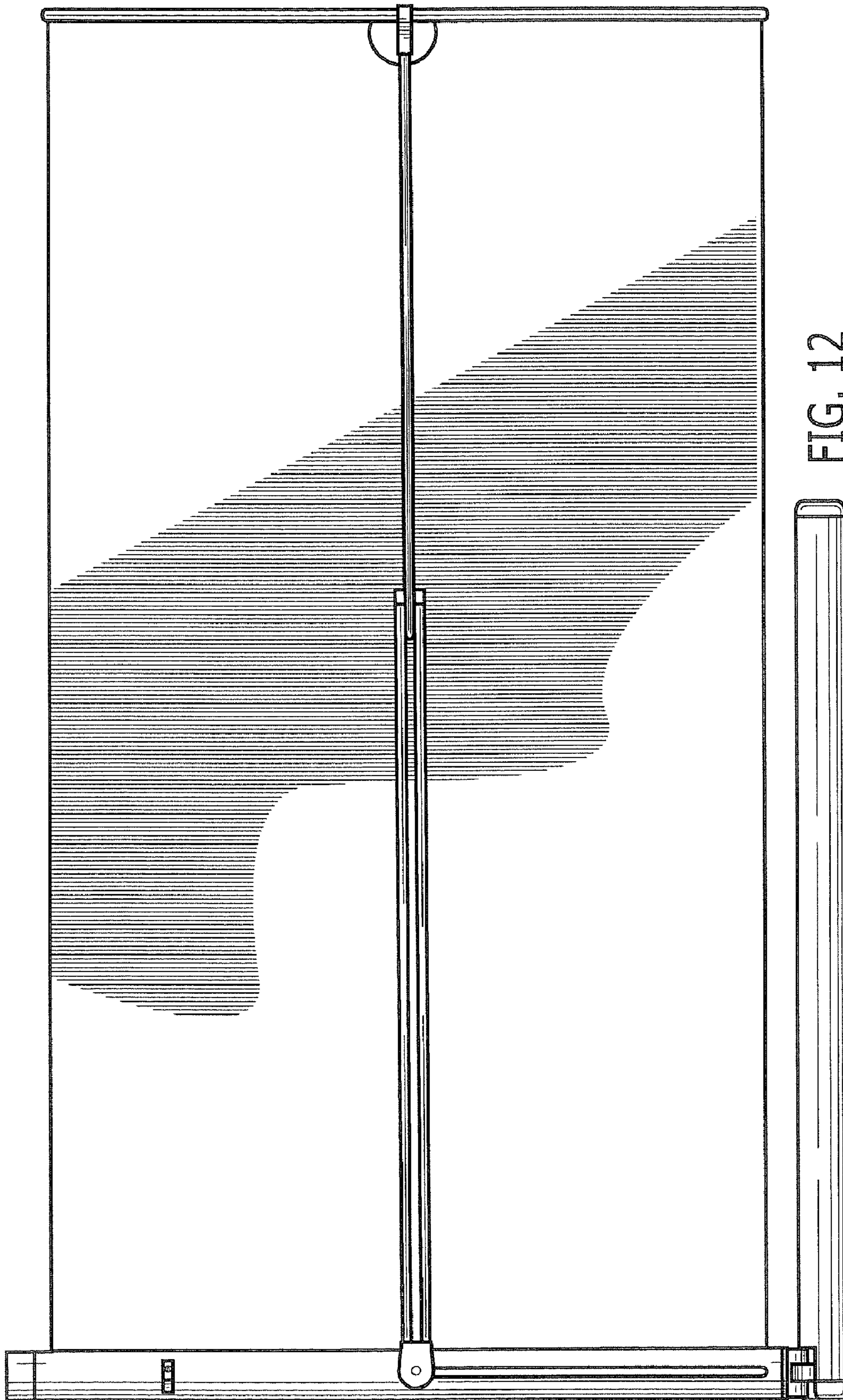
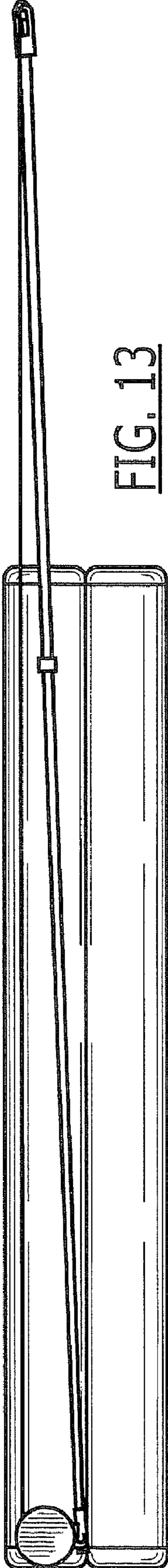


FIG. 10





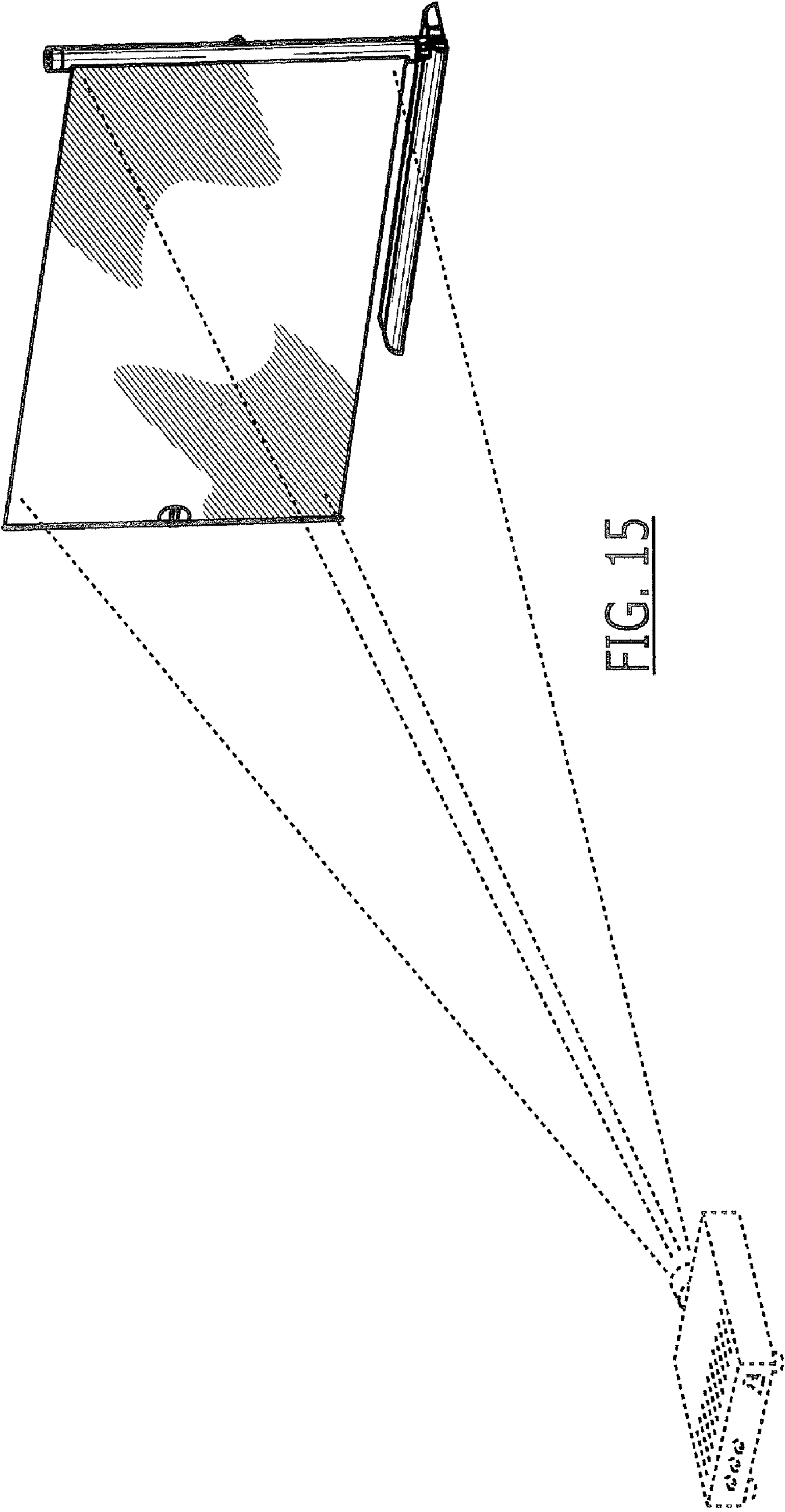


FIG. 15