



US00D602972S

(12) **United States Design Patent**
Fletcher

(10) **Patent No.:** **US D602,972 S**
(45) **Date of Patent:** **** Oct. 27, 2009**

(54) **COVER**

(75) Inventor: **Mark Andrew Fletcher**, Nepean (CA)

(73) Assignee: **SMART Technologies ULC** (CA)

(**) Term: **14 Years**

(21) Appl. No.: **29/326,553**

(22) Filed: **Oct. 20, 2008**

(51) **LOC (9) Cl.** **16-02**

(52) **U.S. Cl.** **D16/235; D16/225; D16/230**

(58) **Field of Classification Search** D16/205,
D16/208, 219, 221, 225, 235, 204, 206, 230-231;
348/373-376; D21/514; 353/115, 119, 122;
D7/554.3, 554.4, 555, 557

See application file for complete search history.

(56) **References Cited**

U.S. PATENT DOCUMENTS

4,170,409	A *	10/1979	Sobotta et al.	353/119
4,313,665	A *	2/1982	Spitz	353/122
D411,219	S *	6/1999	Sumita	D16/219
D486,172	S *	2/2004	Senda	D16/219
6,830,338	B2 *	12/2004	Ogawa	353/20
D534,198	S *	12/2006	Horikiri	D16/219
D566,157	S *	4/2008	Naito et al.	D16/219
2007/0008506	A1 *	1/2007	Meng et al.	353/119

* cited by examiner

Primary Examiner—Ian Simmons
Assistant Examiner—Wan Laymon

(74) *Attorney, Agent, or Firm*—Katten Muchin Rosenman LLP

(57) **CLAIM**

The ornamental design for a cover, as shown and described.

DESCRIPTION

FIG. 1 is a perspective view of a projector embodying the cover showing my new design;

FIG. 2 is a bottom perspective view of the projector of FIG. 1;

FIG. 3 is a bottom plan view of the projector of FIG. 1;

FIG. 4 is a rear elevational view of the projector of FIG. 1;

FIG. 5 is a left side elevational view of the projector of FIG. 1;

FIG. 6 is a right side elevational view of the projector of FIG. 1;

FIG. 7 is a top plan view of the projector of FIG. 1;

FIG. 8 is a front perspective view of the cover shown in FIG. 1 in isolation;

FIG. 9 is a rear perspective view of the cover of FIG. 8;

FIG. 10 is a bottom plan view of the cover of FIG. 8;

FIG. 11 is a side elevational view of the cover of FIG. 8;

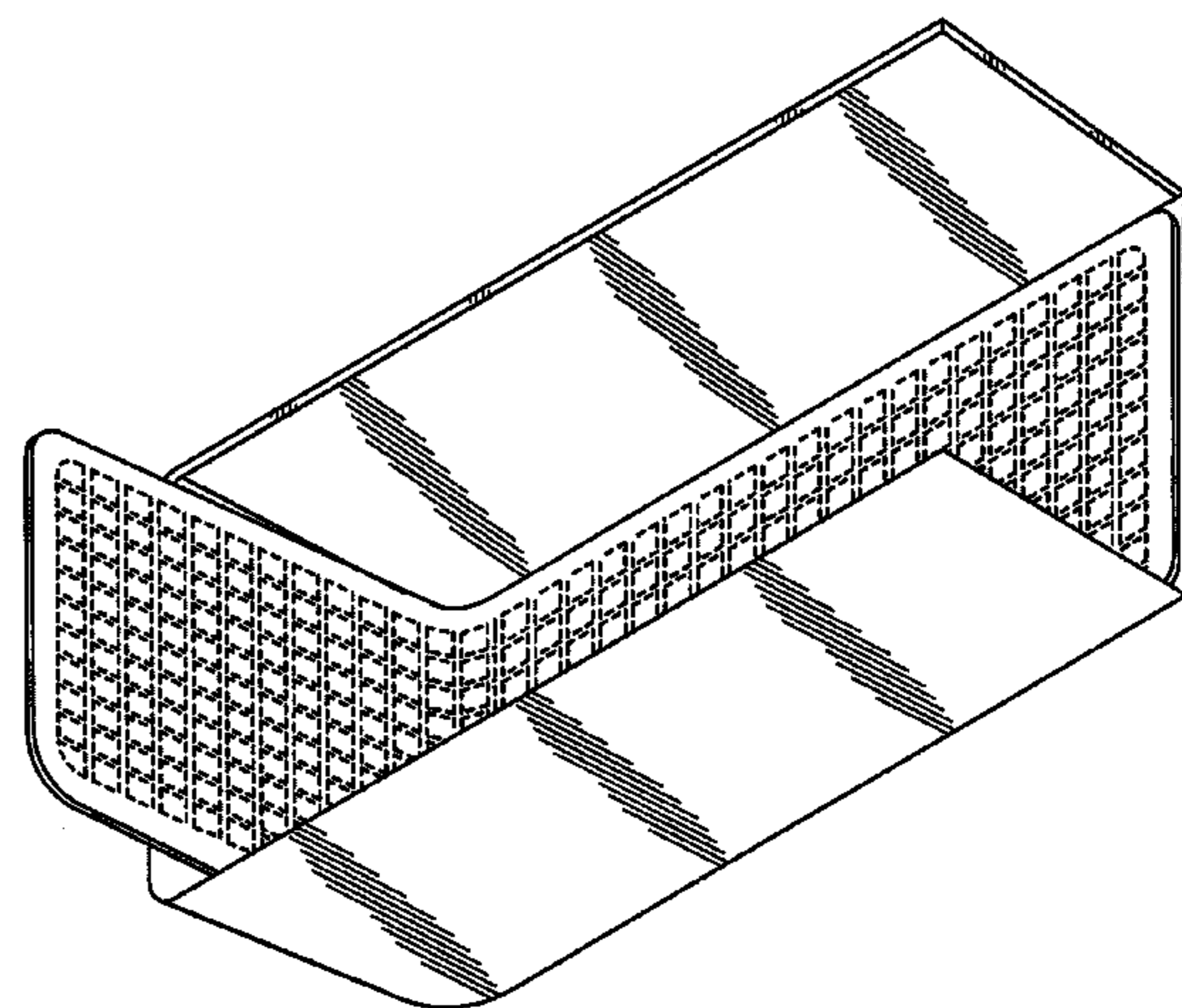
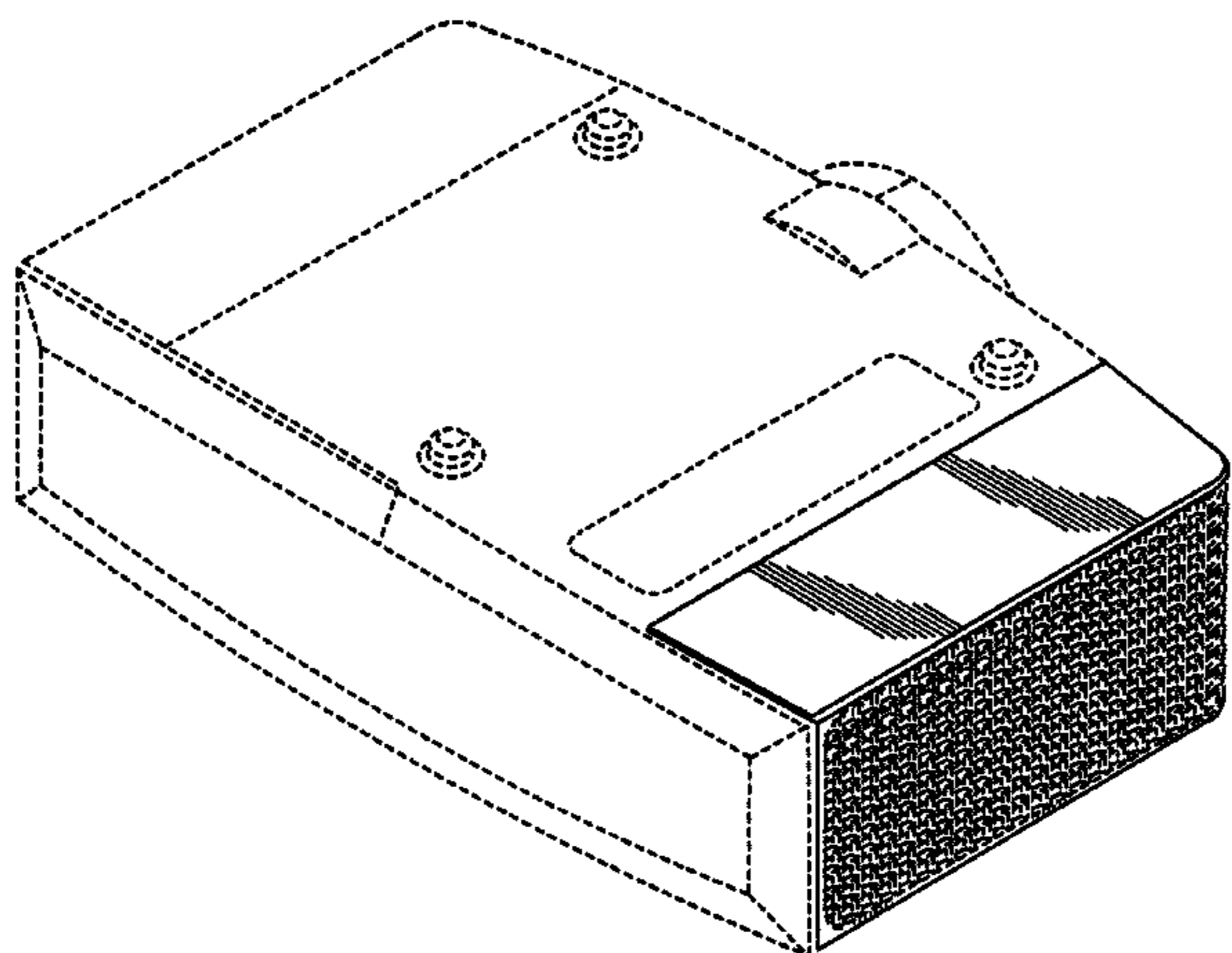
FIG. 12 is a front elevational view of the cover of FIG. 8;

FIG. 13 is a rear elevational view of the cover of FIG. 8; and,

FIG. 14 is a top plan view of the cover of FIG. 8.

The broken lines are provided for illustrative purposes only and form no part of the claimed design.

1 Claim, 14 Drawing Sheets



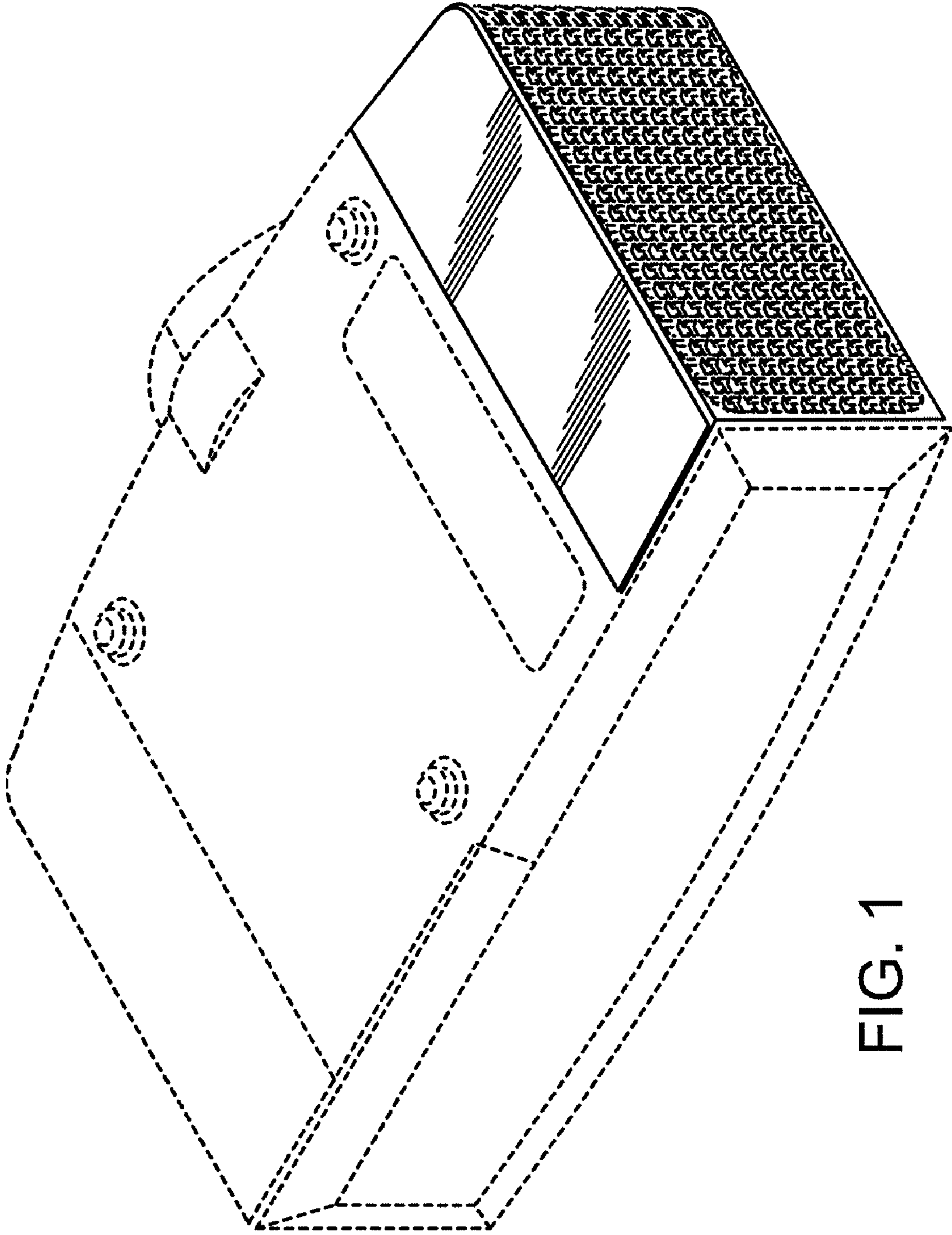


FIG. 1

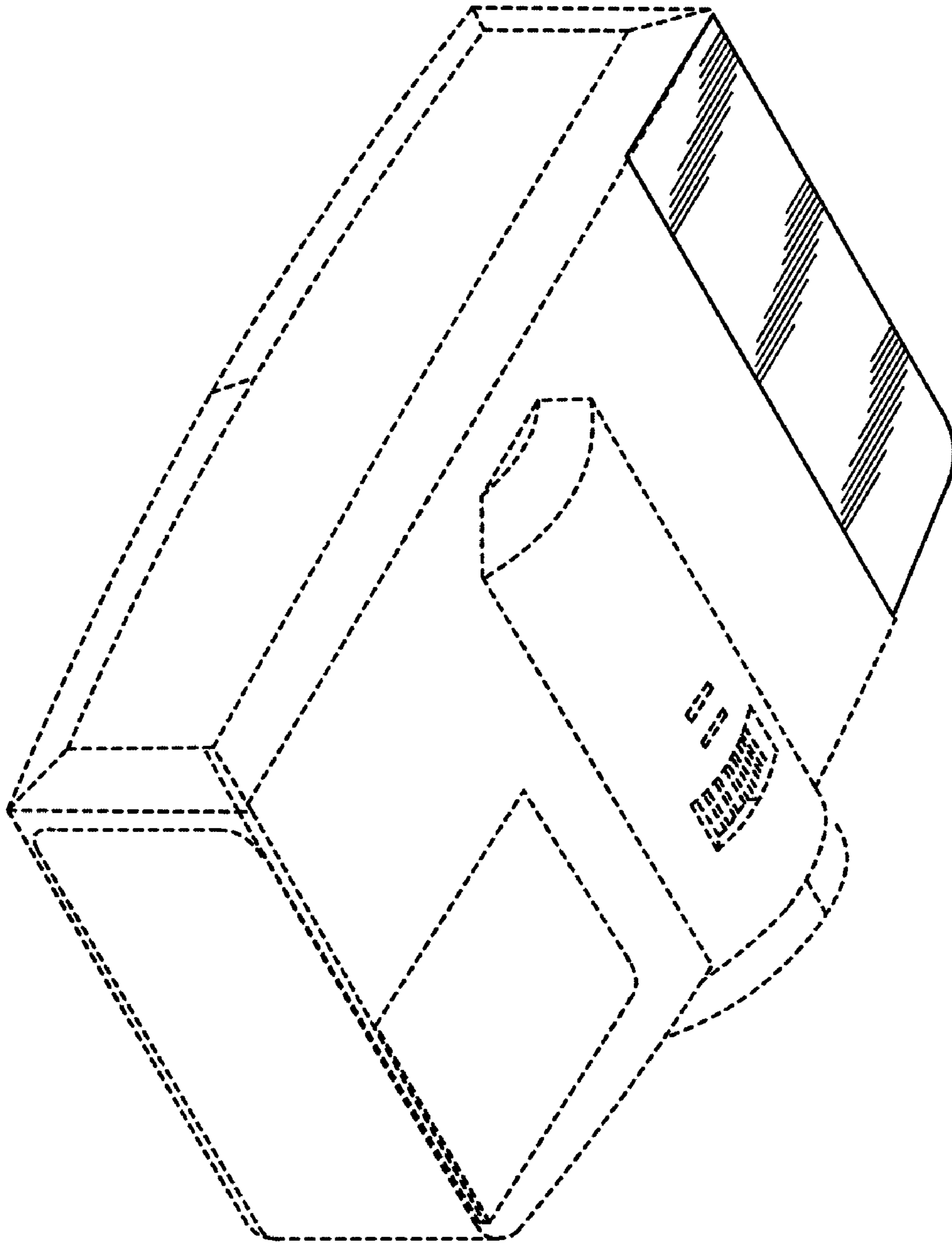


FIG. 2

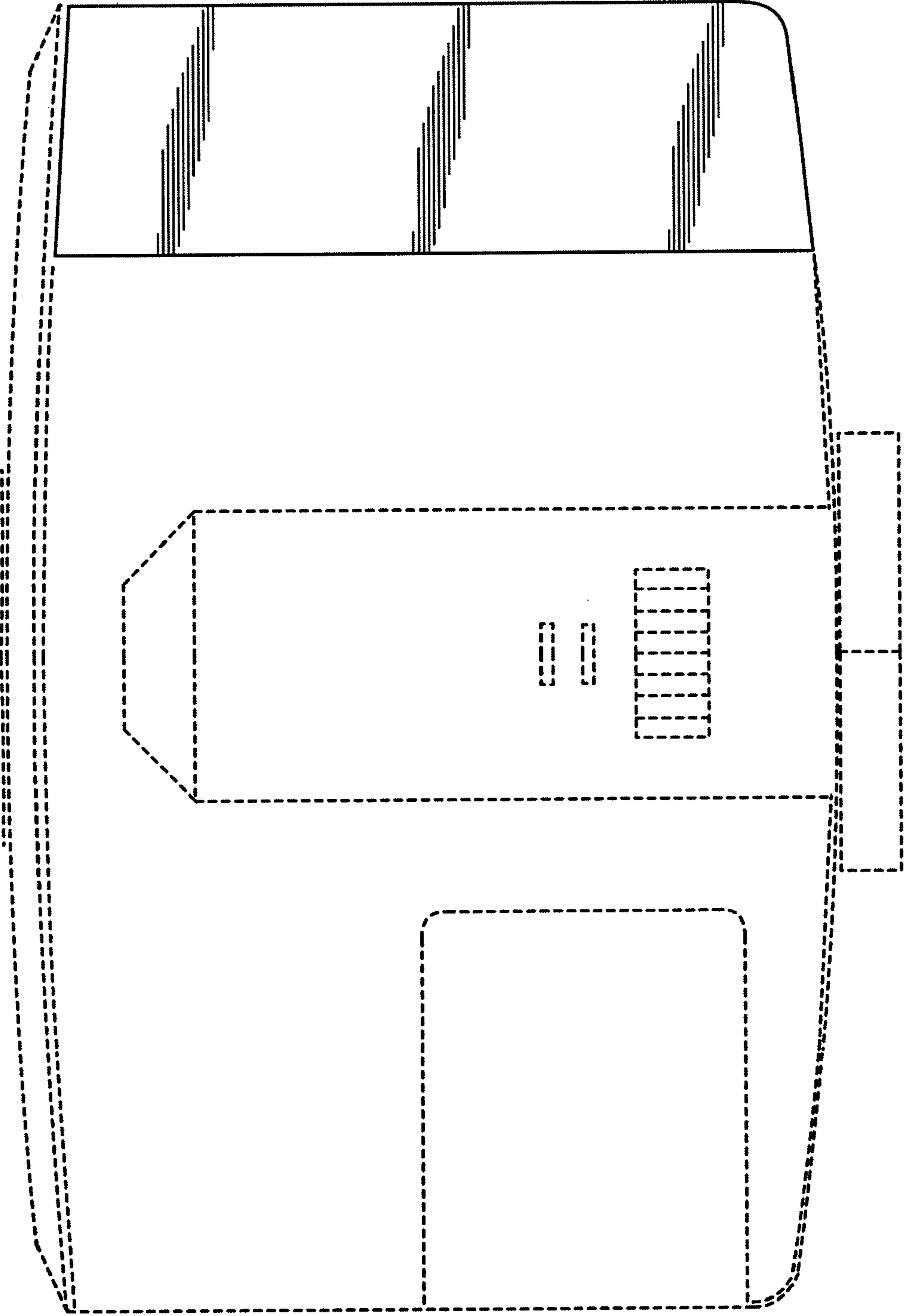


FIG. 3

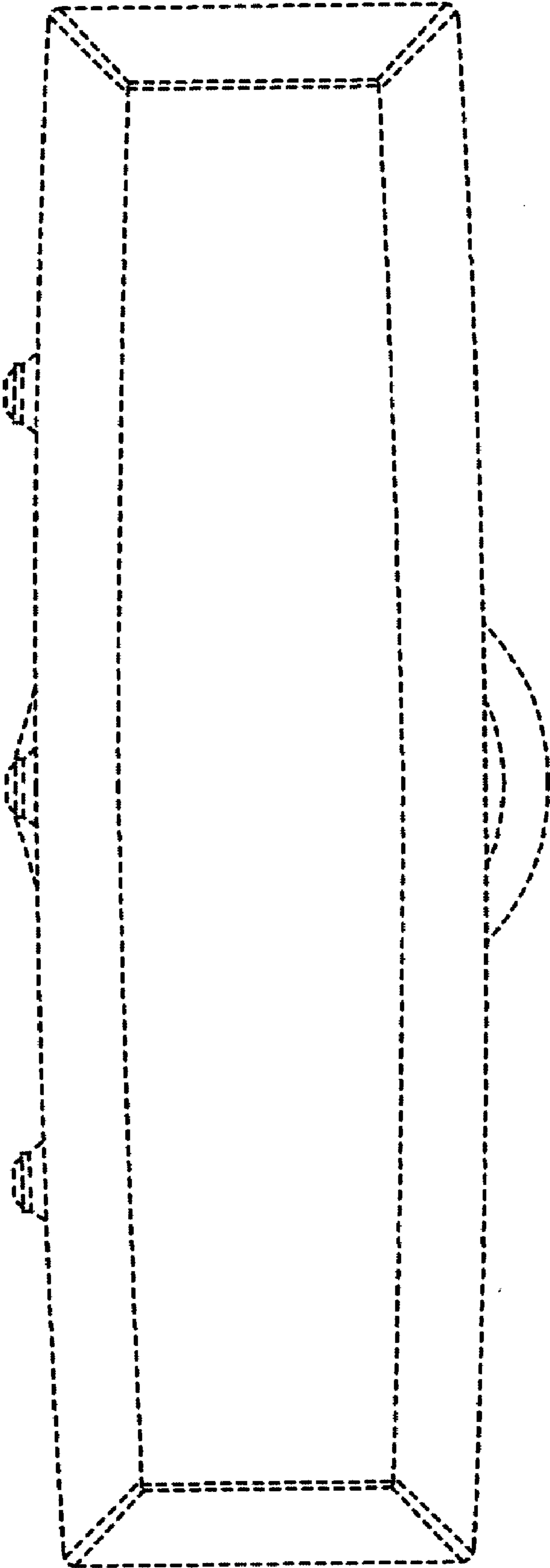


FIG. 4

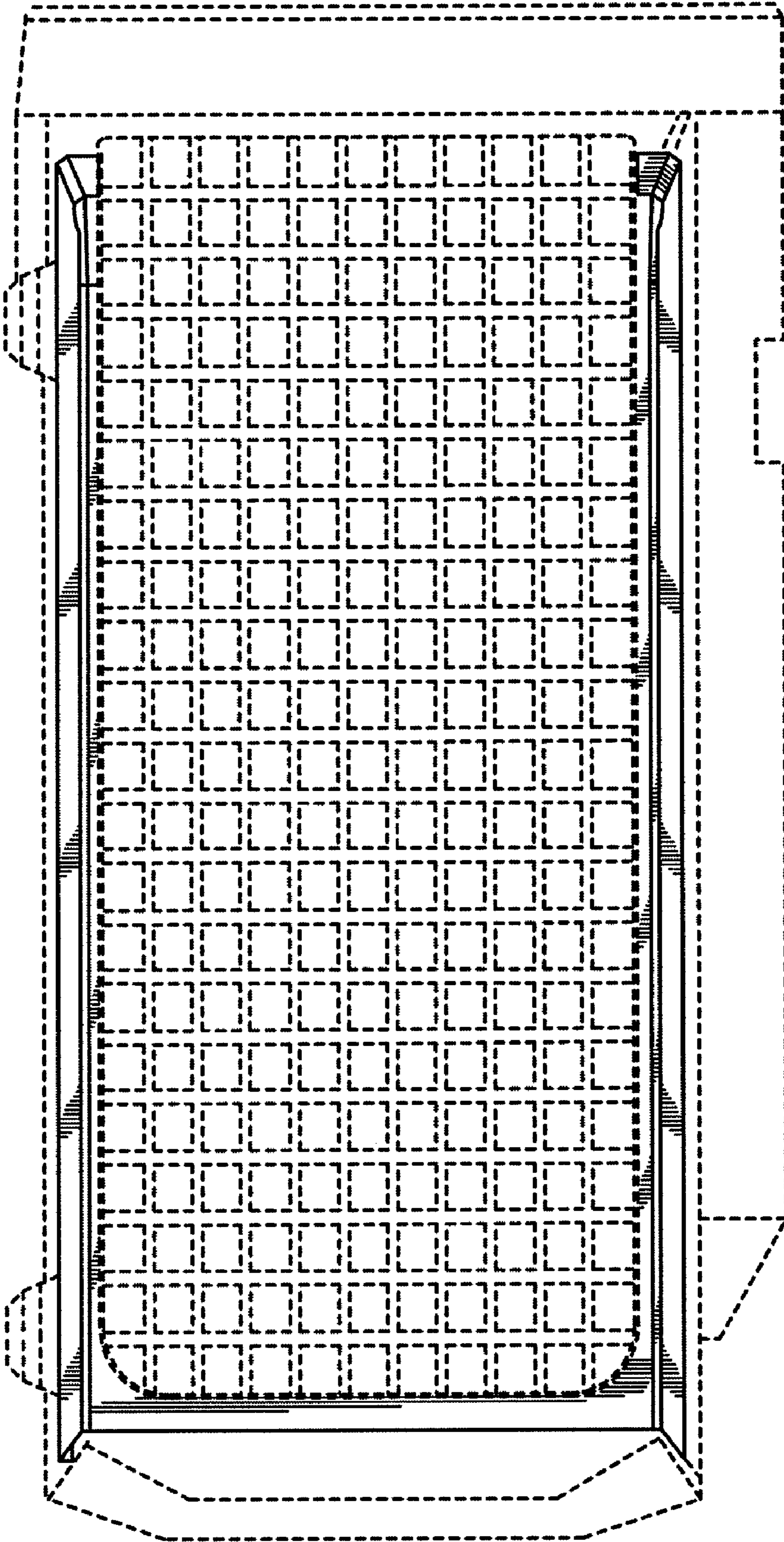


FIG. 5

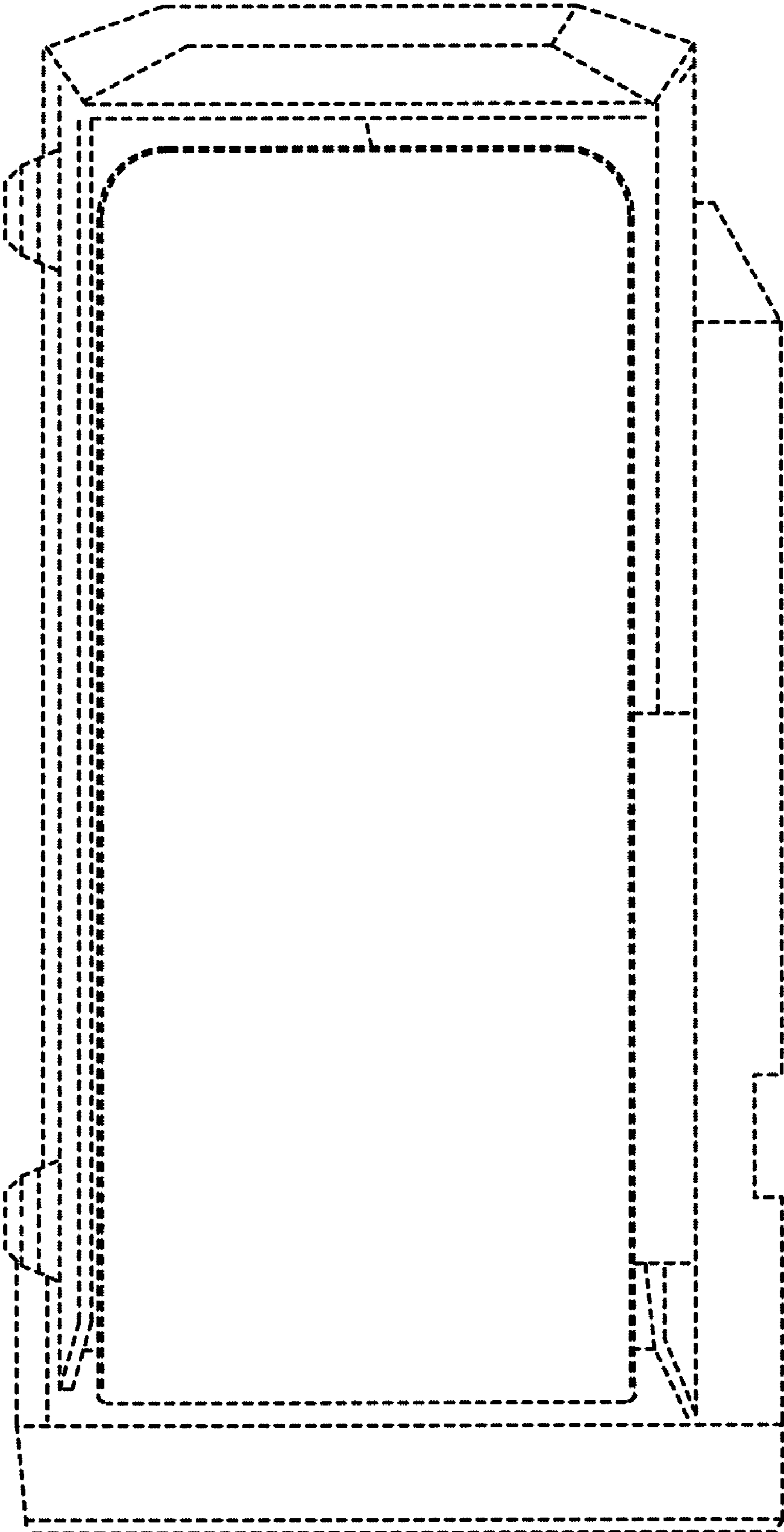


FIG. 6

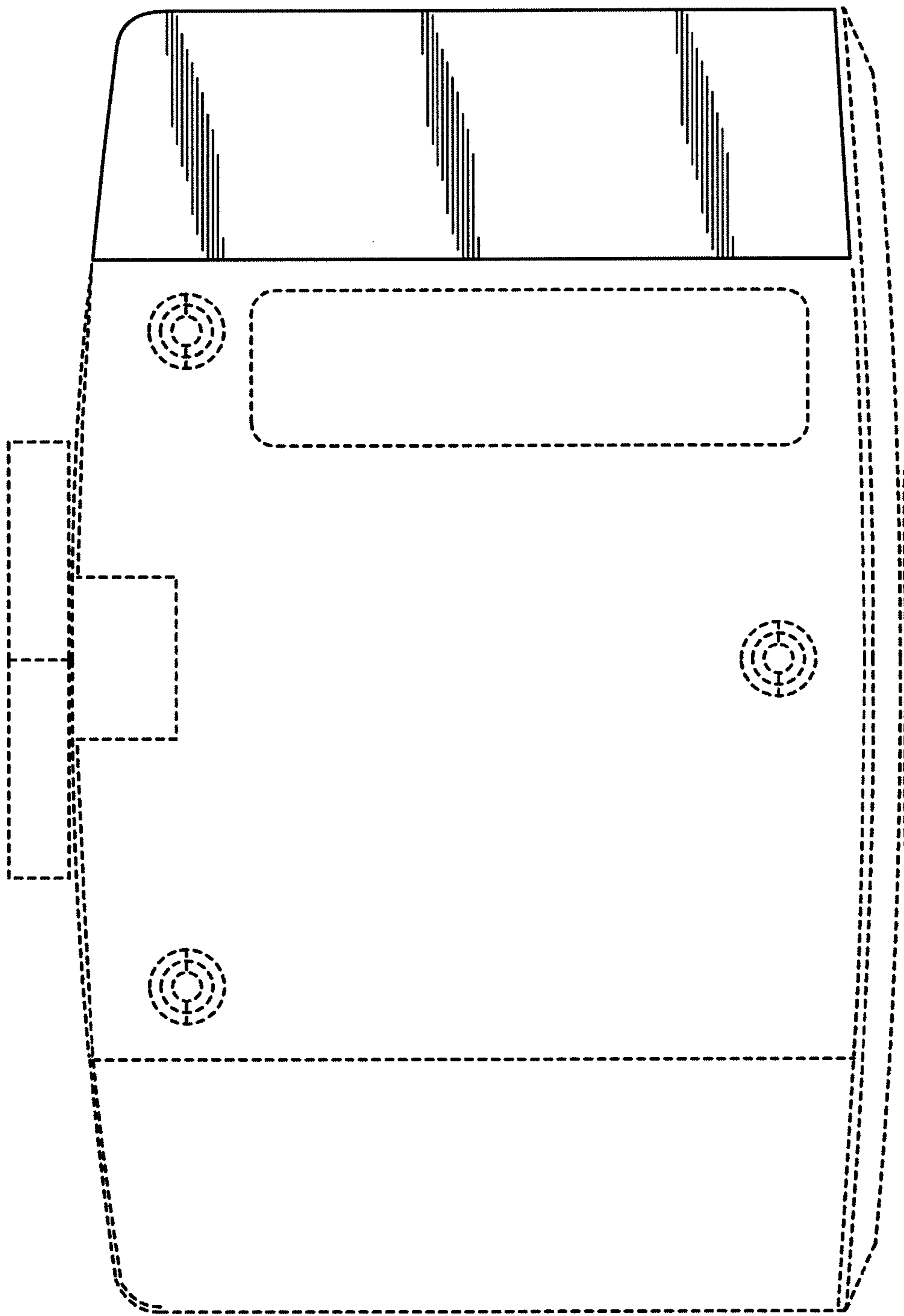


FIG. 7

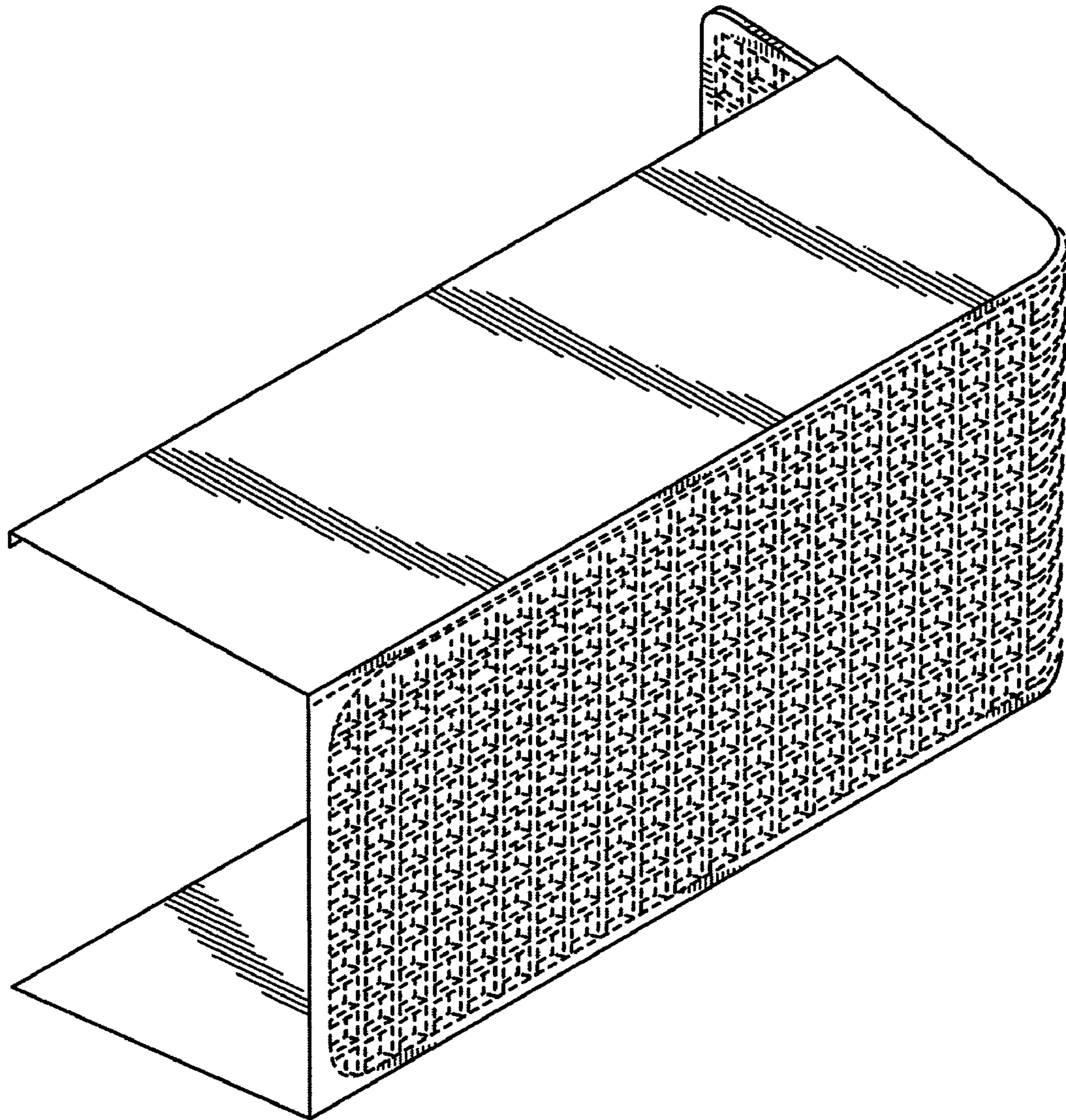


FIG. 8

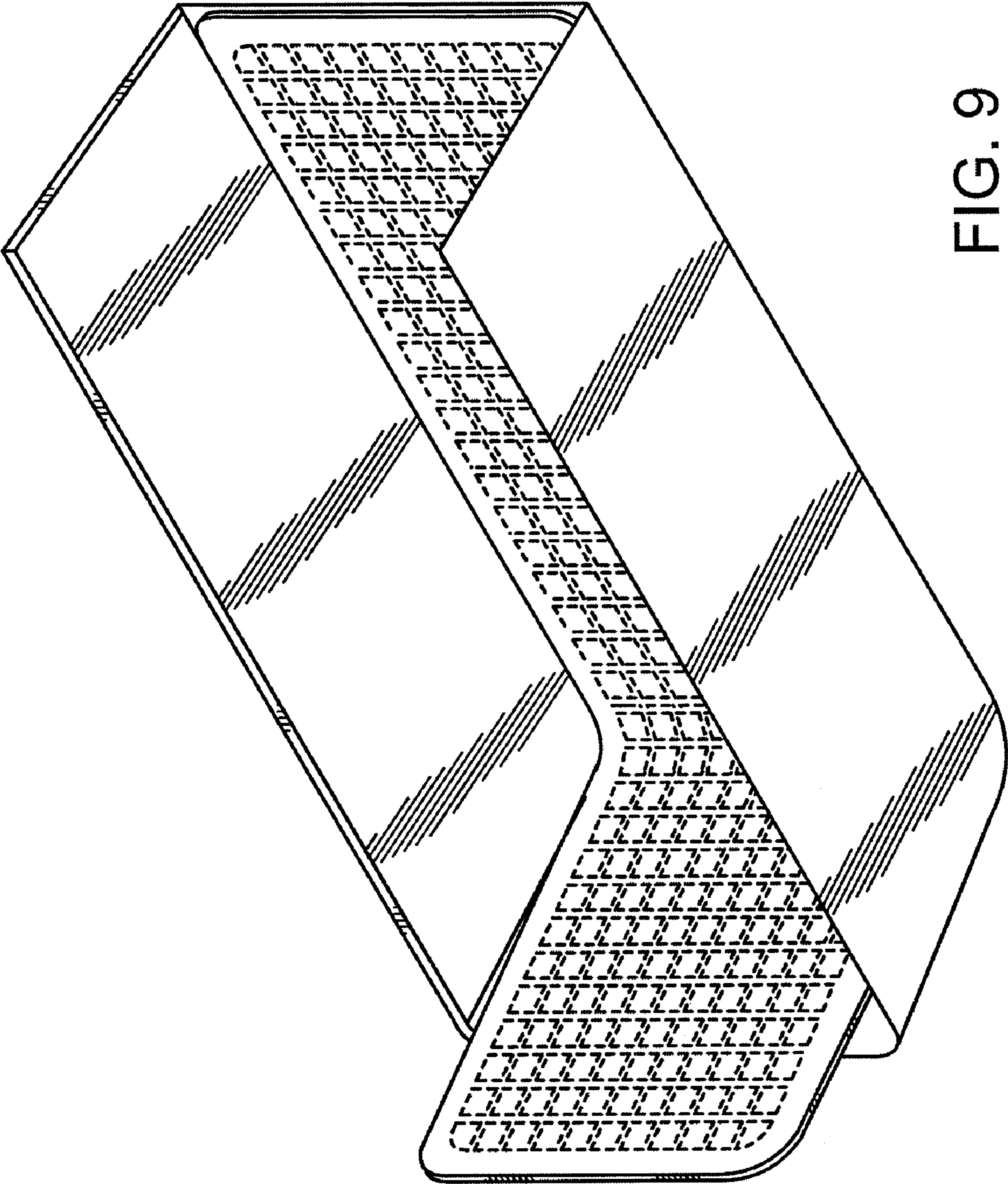


FIG. 9

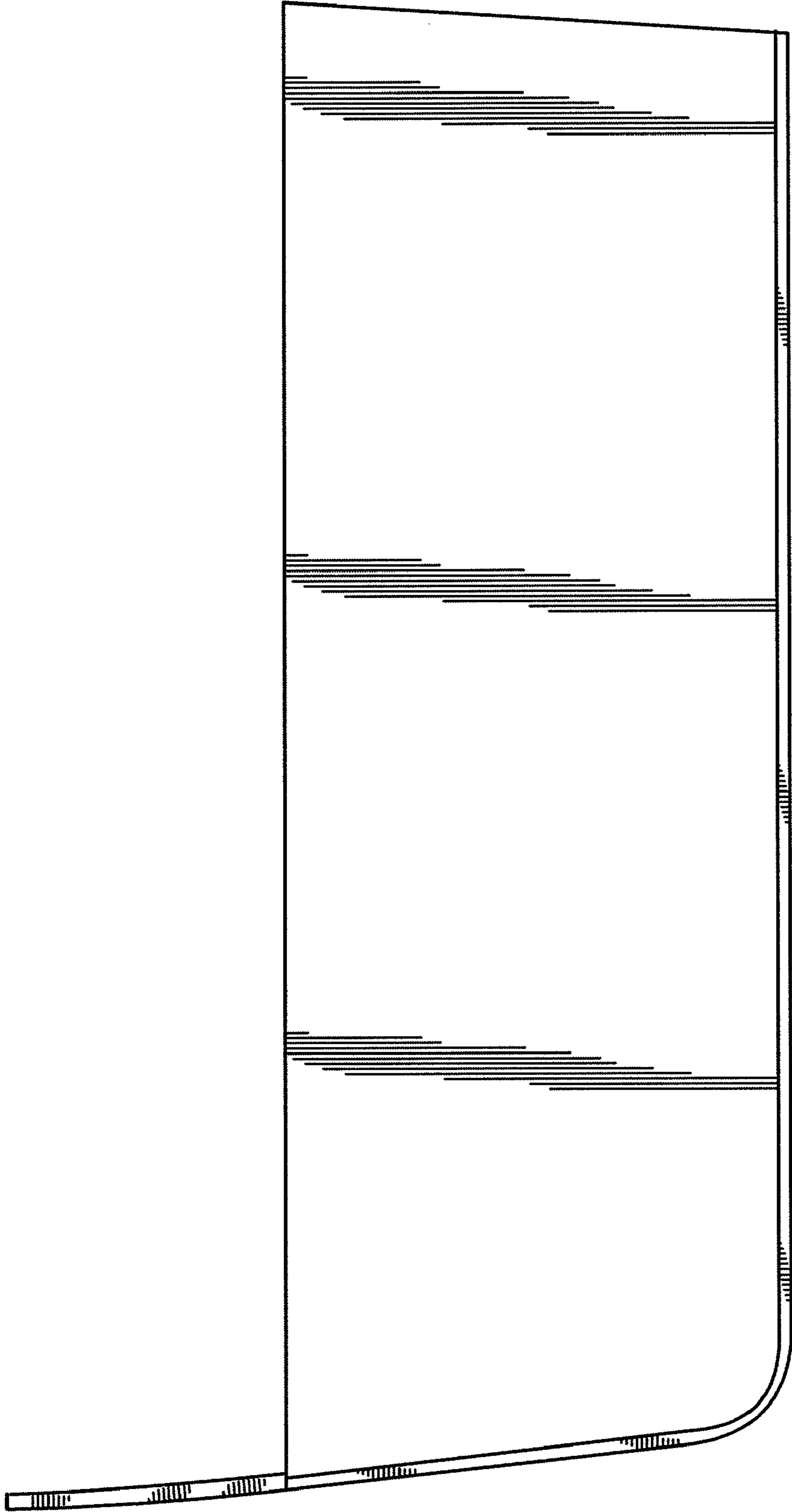


FIG. 10

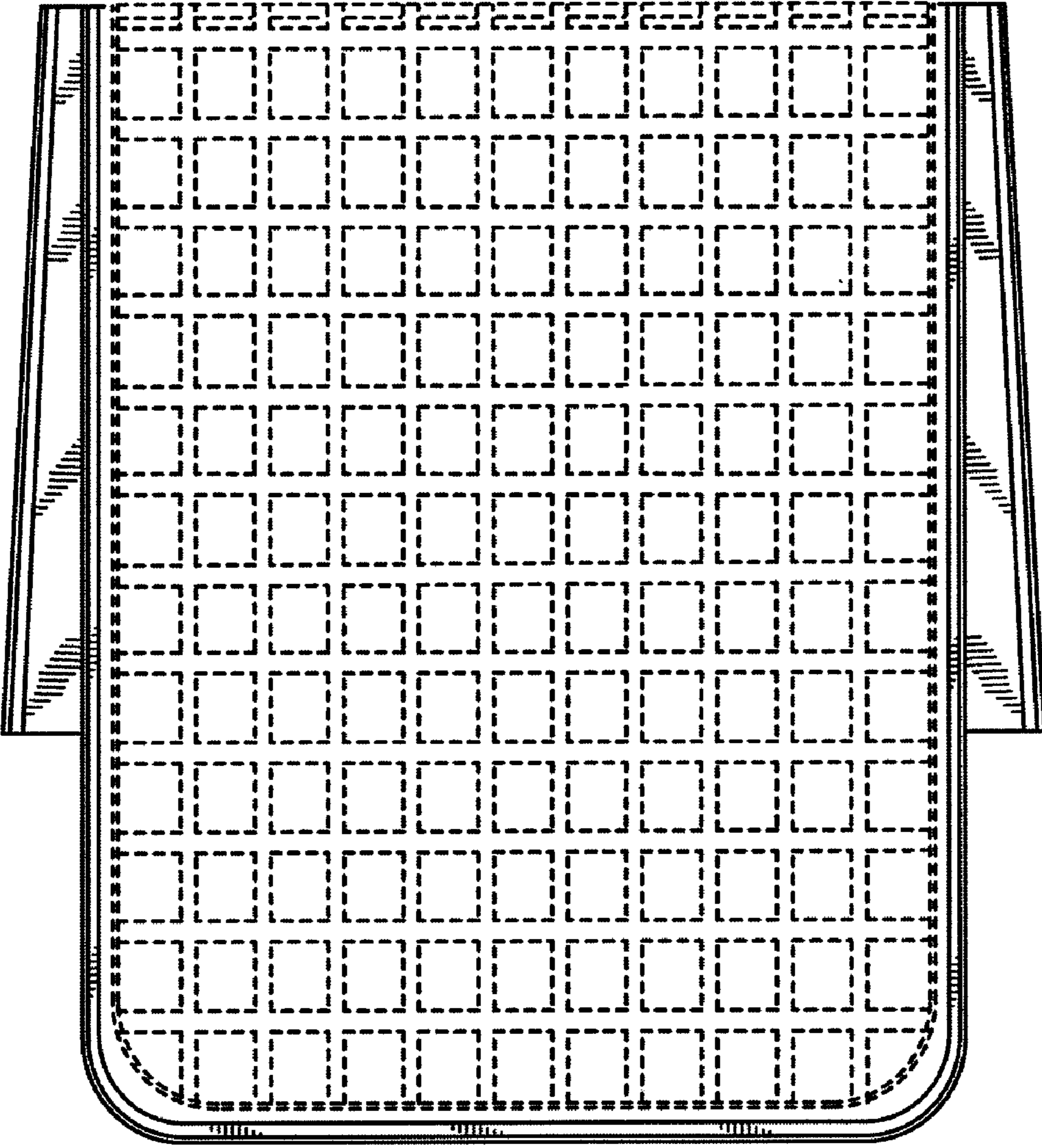


FIG. 11

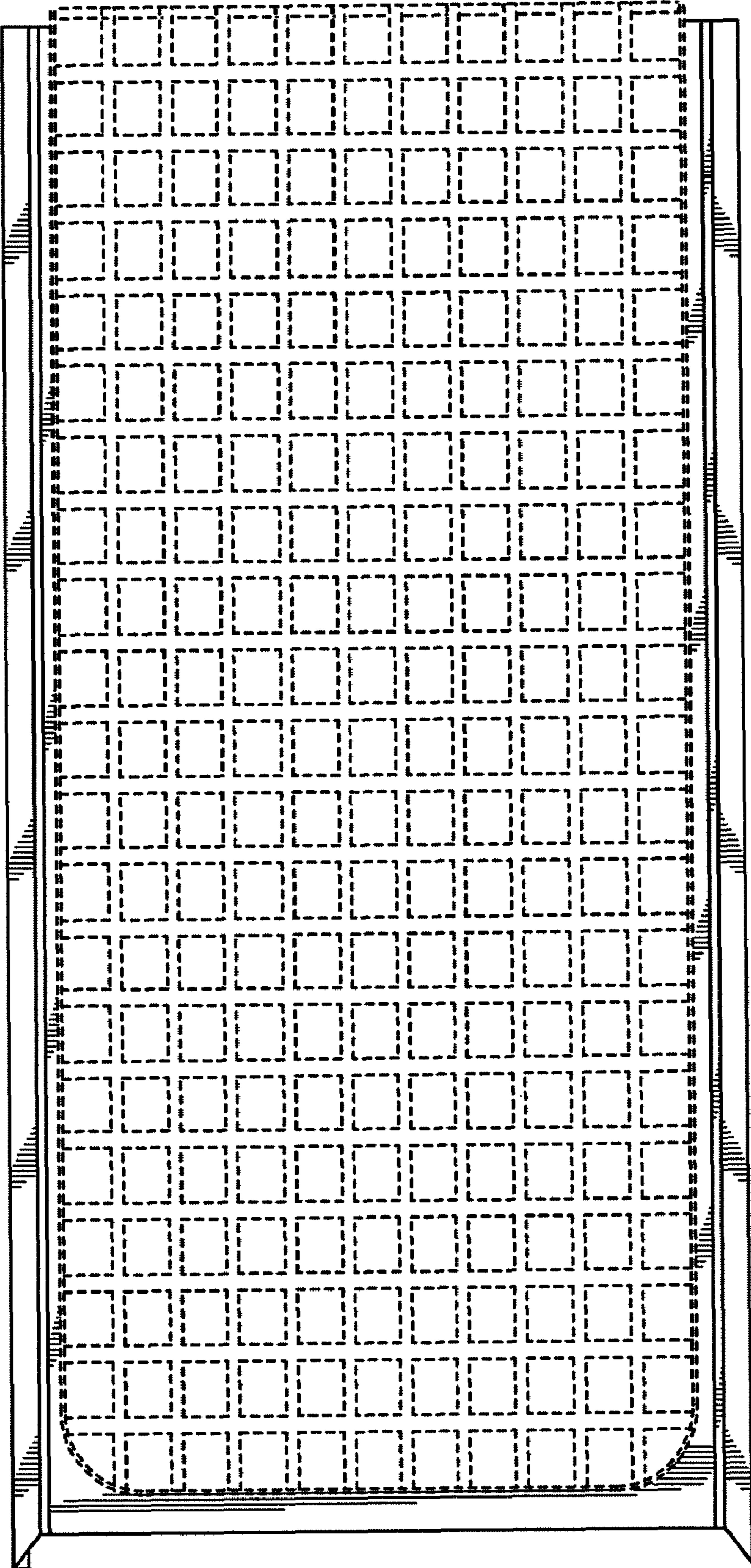


FIG. 12

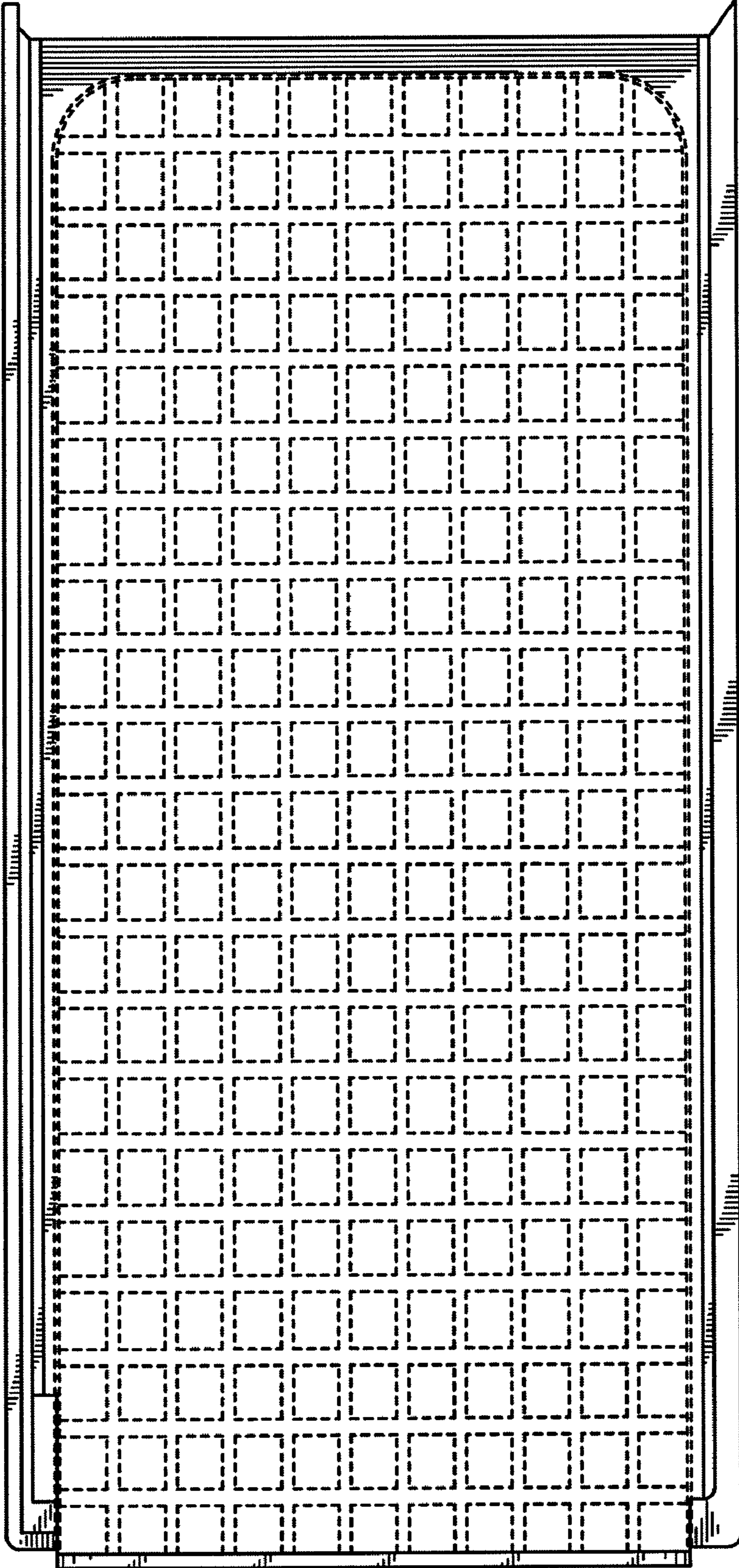


FIG. 13

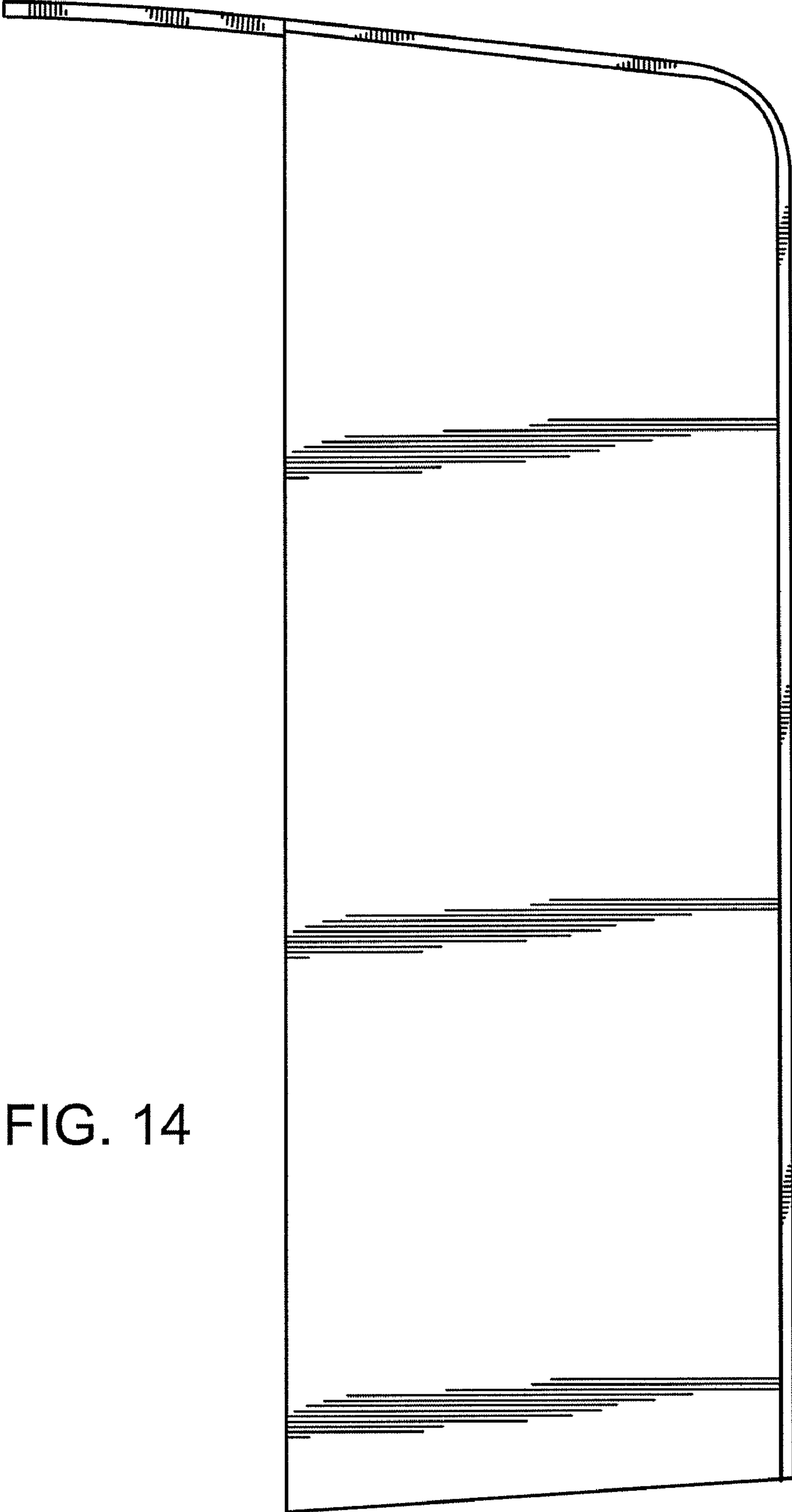


FIG. 14