



US00D602971S

(12) **United States Design Patent**  
**Lee**

(10) **Patent No.:** **US D602,971 S**  
(45) **Date of Patent:** **\*\* Oct. 27, 2009**

(54) **LAMP FOR AN IMAGING DEVICE**

(75) Inventor: **Dong-Kyu Lee**, Kyunggi-do (KR)

(73) Assignee: **Samsung Electronics Co., Ltd.**, Suwon, Kyunggi-do (KR)

(\*\*) Term: **14 Years**

(21) Appl. No.: **29/301,713**

(22) Filed: **Mar. 13, 2008**

(51) **LOC (9) Cl.** ..... **16-02**

(52) **U.S. Cl.** ..... **D16/235**

(58) **Field of Classification Search** ..... D16/237,  
D16/221, 225, 235, 236; D26/1, 24; 353/31,  
353/97, 98, 119, 122; 362/242, 285, 288,  
362/362

See application file for complete search history.

(56) **References Cited**

**U.S. PATENT DOCUMENTS**

4,060,316	A *	11/1977	Pollack et al.	.....	353/122
D483,051	S *	12/2003	Tang	.....	D16/235
7,104,654	B2 *	9/2006	Tamaru et al.	.....	353/119
7,210,825	B2 *	5/2007	Watanabe et al.	.....	353/119
7,241,029	B2 *	7/2007	Tsai	.....	353/119

7,357,532	B2 *	4/2008	Lin et al.	.....	362/285
D574,408	S *	8/2008	Kobayashi et al.	.....	D16/235
2007/0132959	A1 *	6/2007	Shanley et al.	.....	353/31

\* cited by examiner

*Primary Examiner*—Adir Aronovich

(74) *Attorney, Agent, or Firm*—Flynn, Thiel, Boutell & Tanis, P.C.

(57) **CLAIM**

The ornamental design for a a lamp for an imaging device, as shown and described.

**DESCRIPTION**

FIG. 1 is a top front perspective view of a a lamp for an imaging device showing my new design;

FIG. 2 is a front elevational view thereof;

FIG. 3 is a rear elevational view thereof;

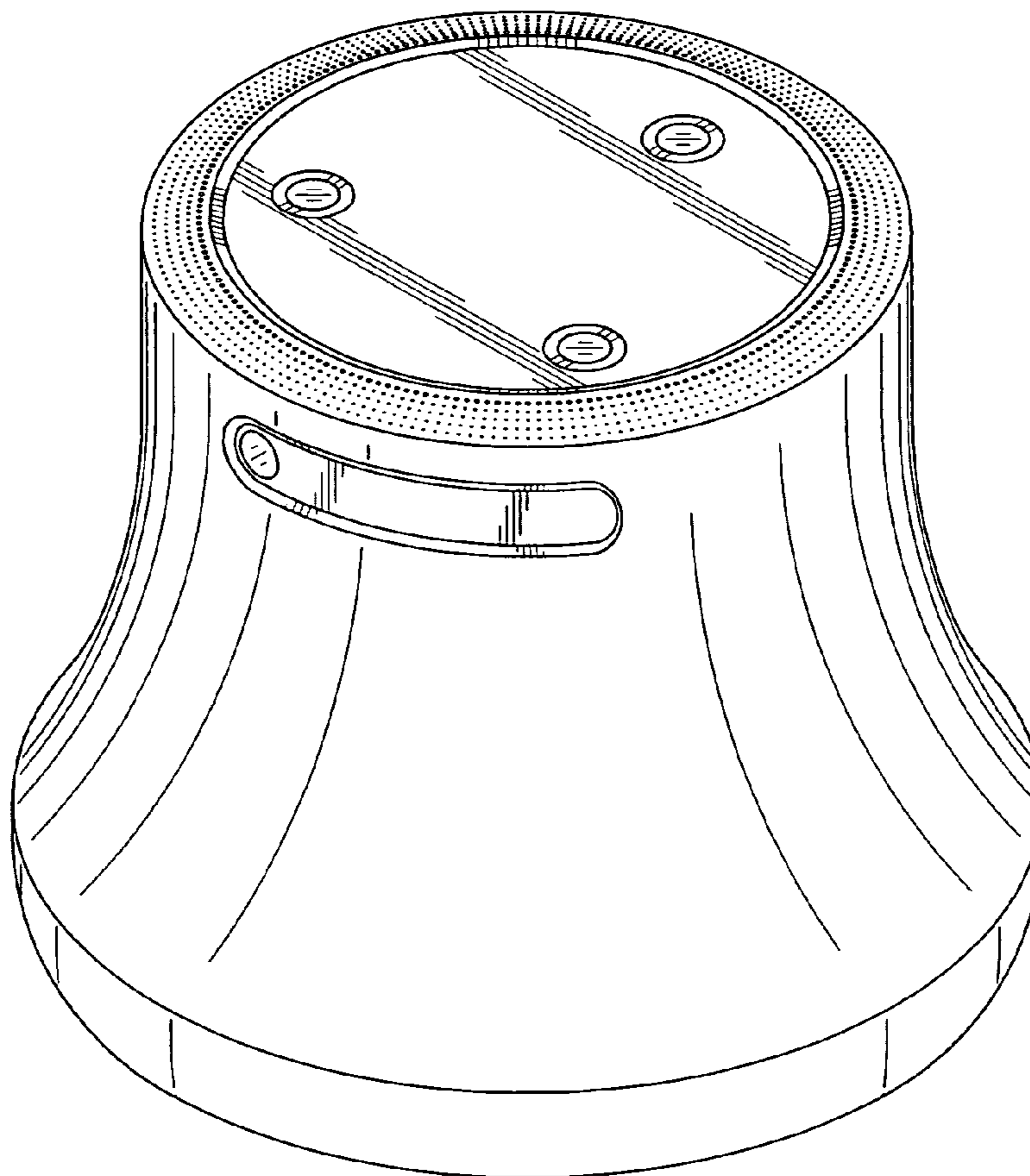
FIG. 4 is a left side elevational view thereof;

FIG. 5 is a right side elevational view thereof;

FIG. 6 is a top plan view thereof; and,

FIG. 7 is a bottom plan view thereof.

**1 Claim, 4 Drawing Sheets**



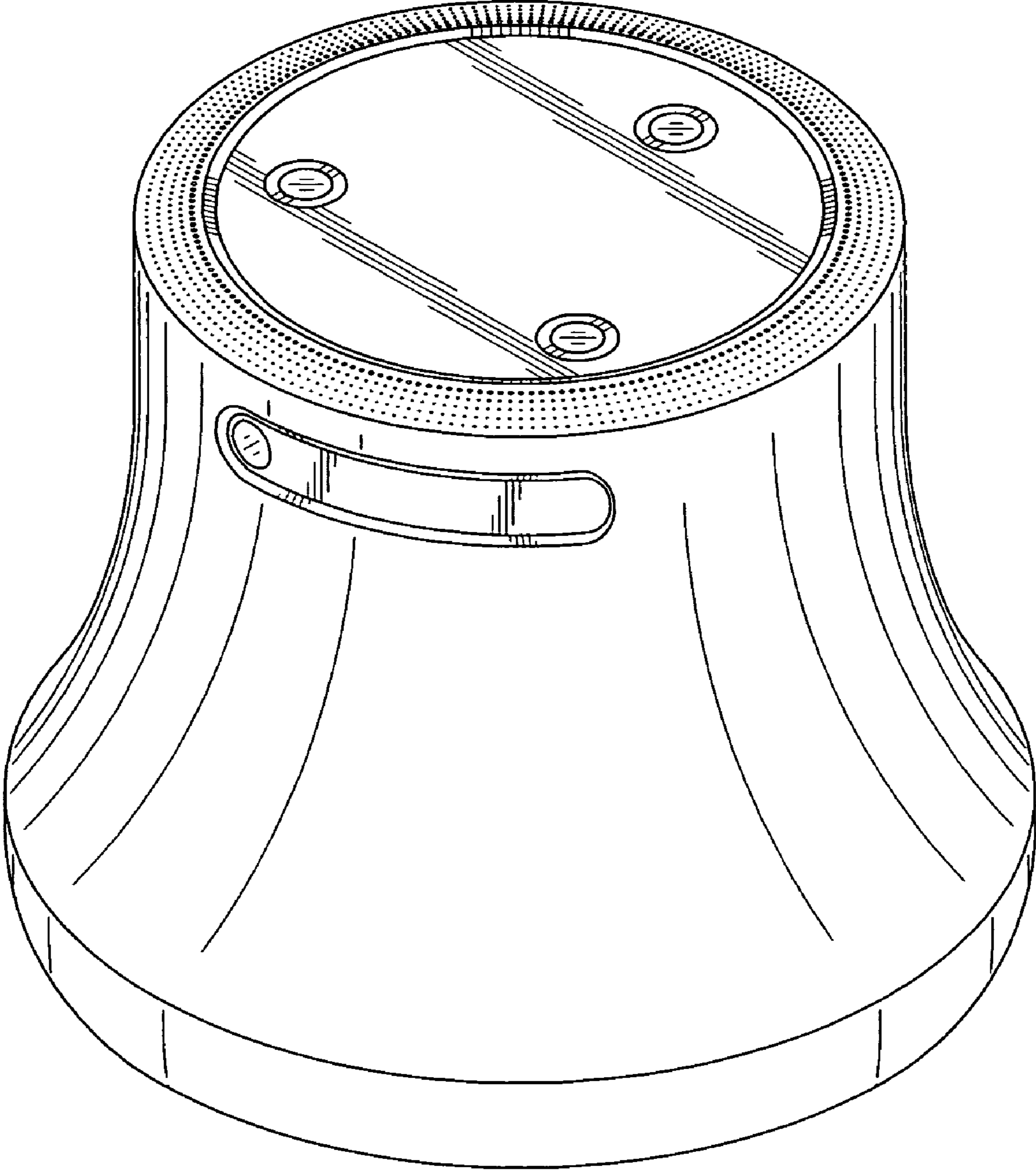


FIG. 1

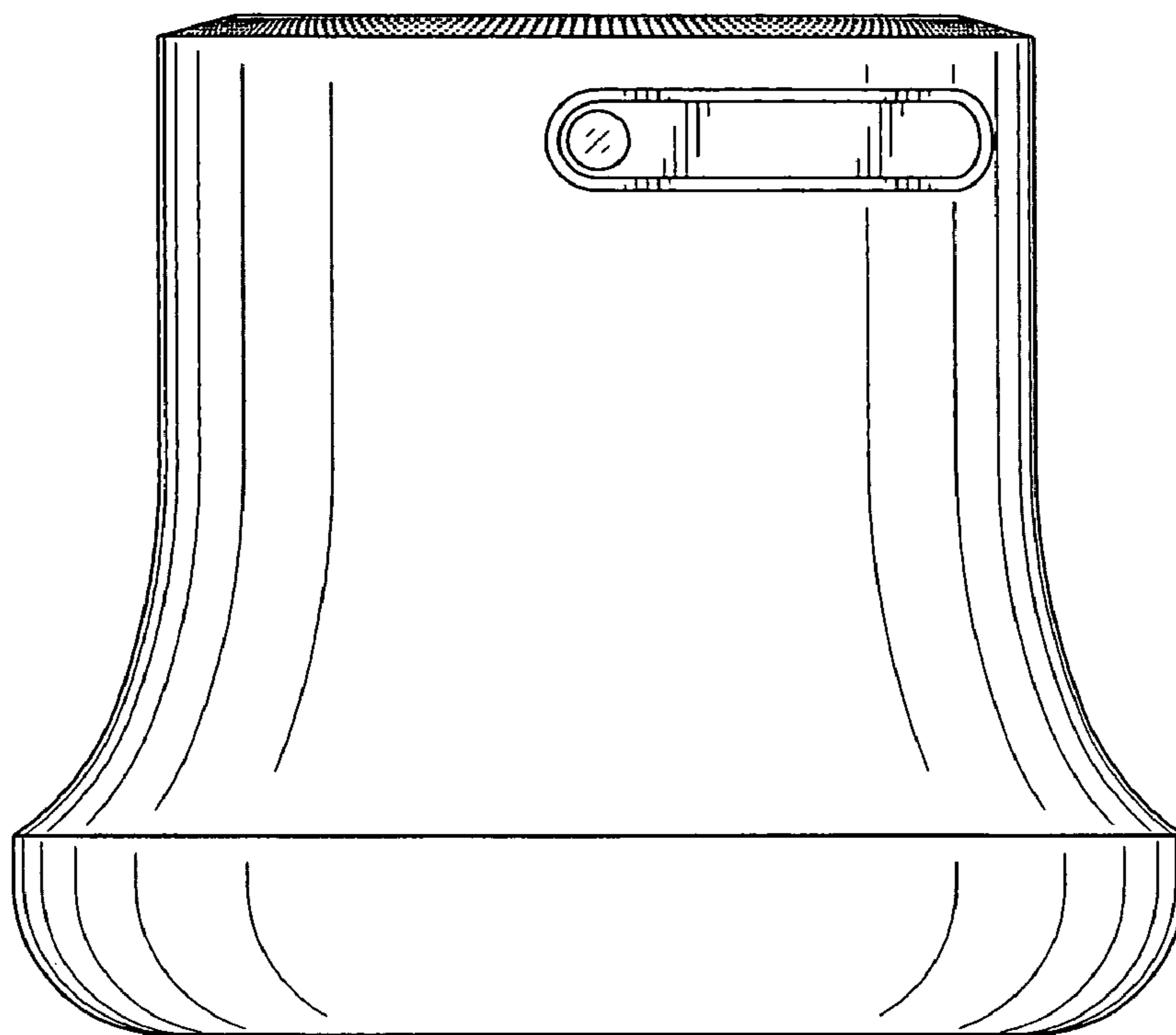


FIG. 2

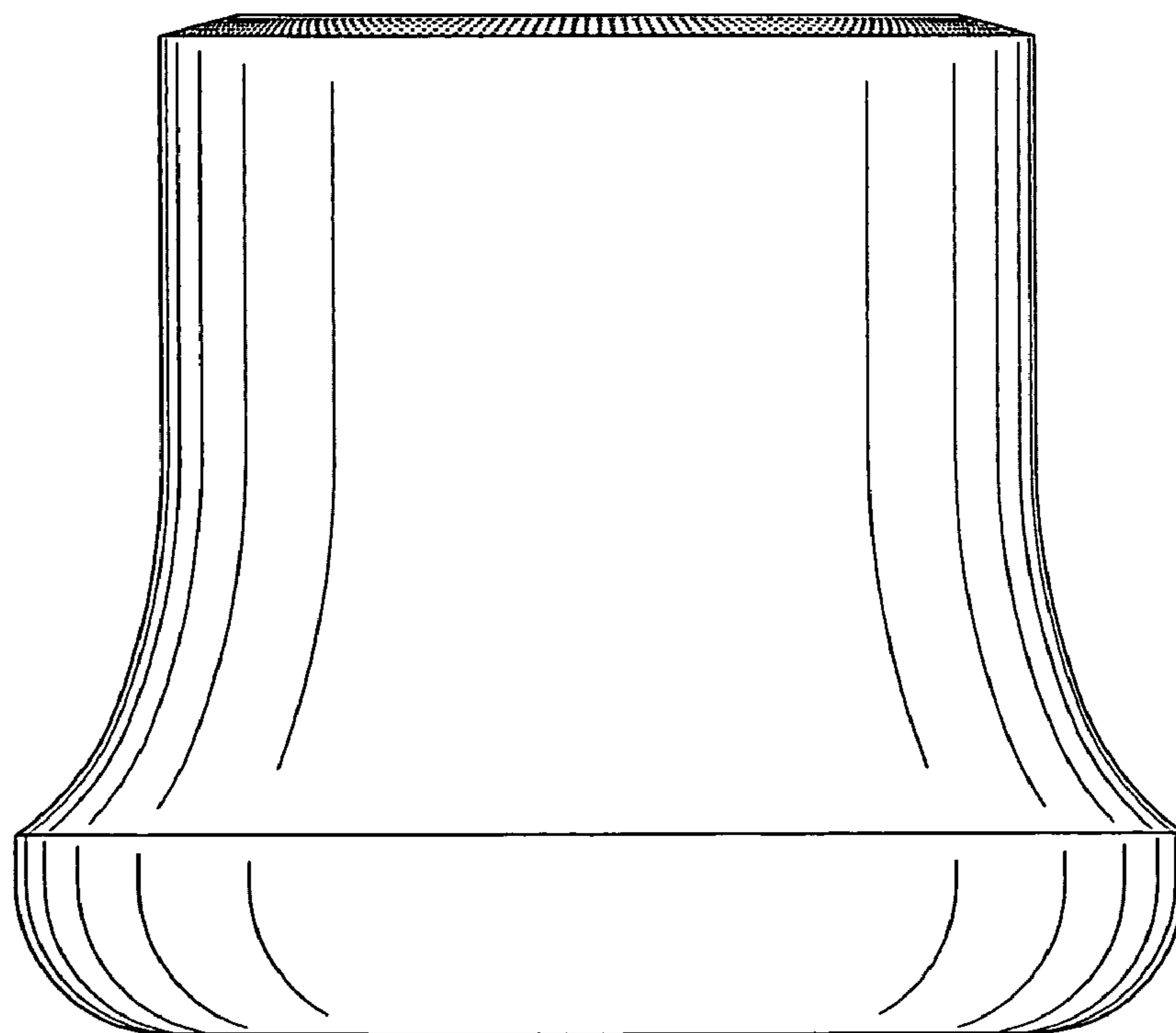


FIG. 3

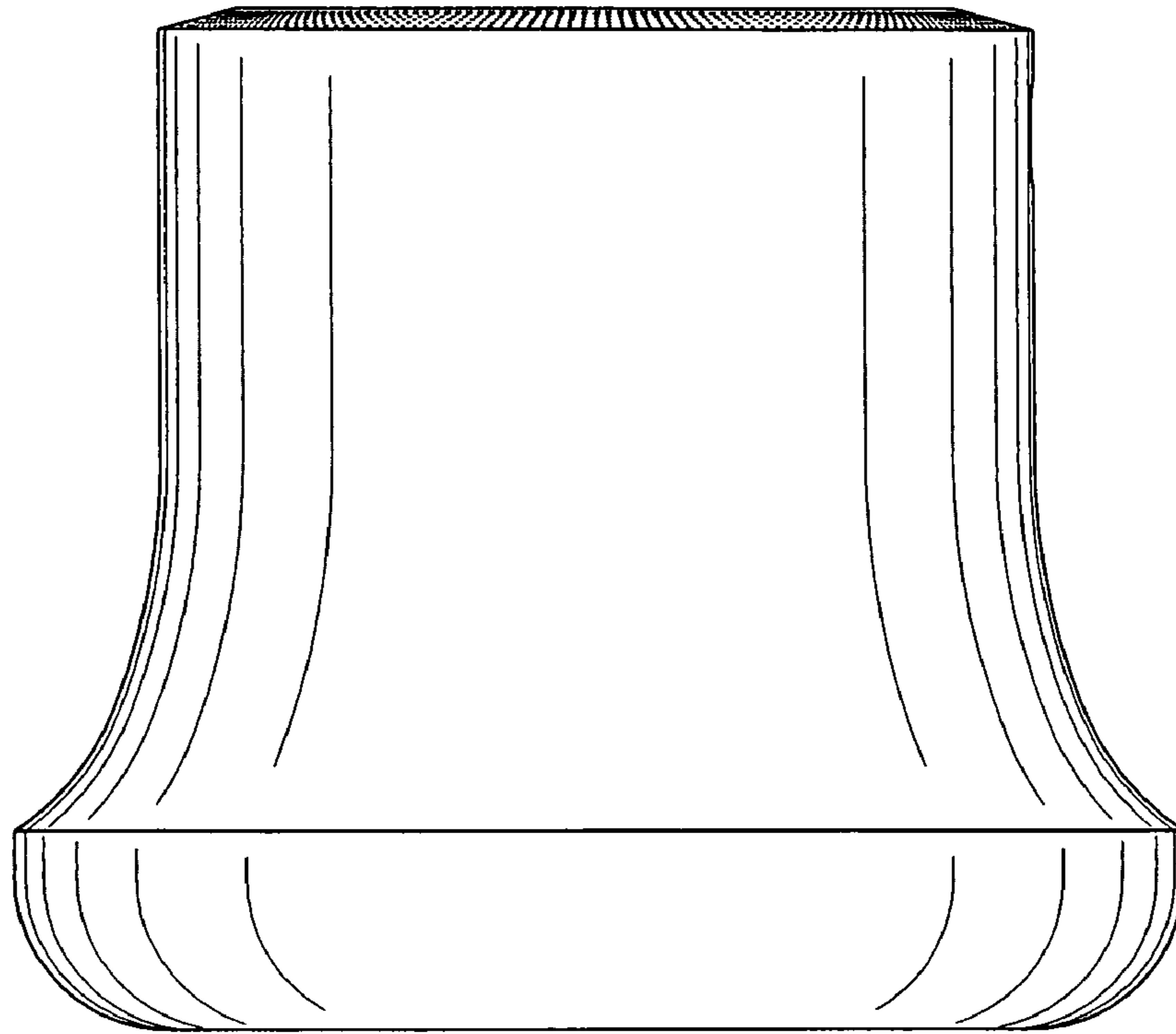


FIG. 4

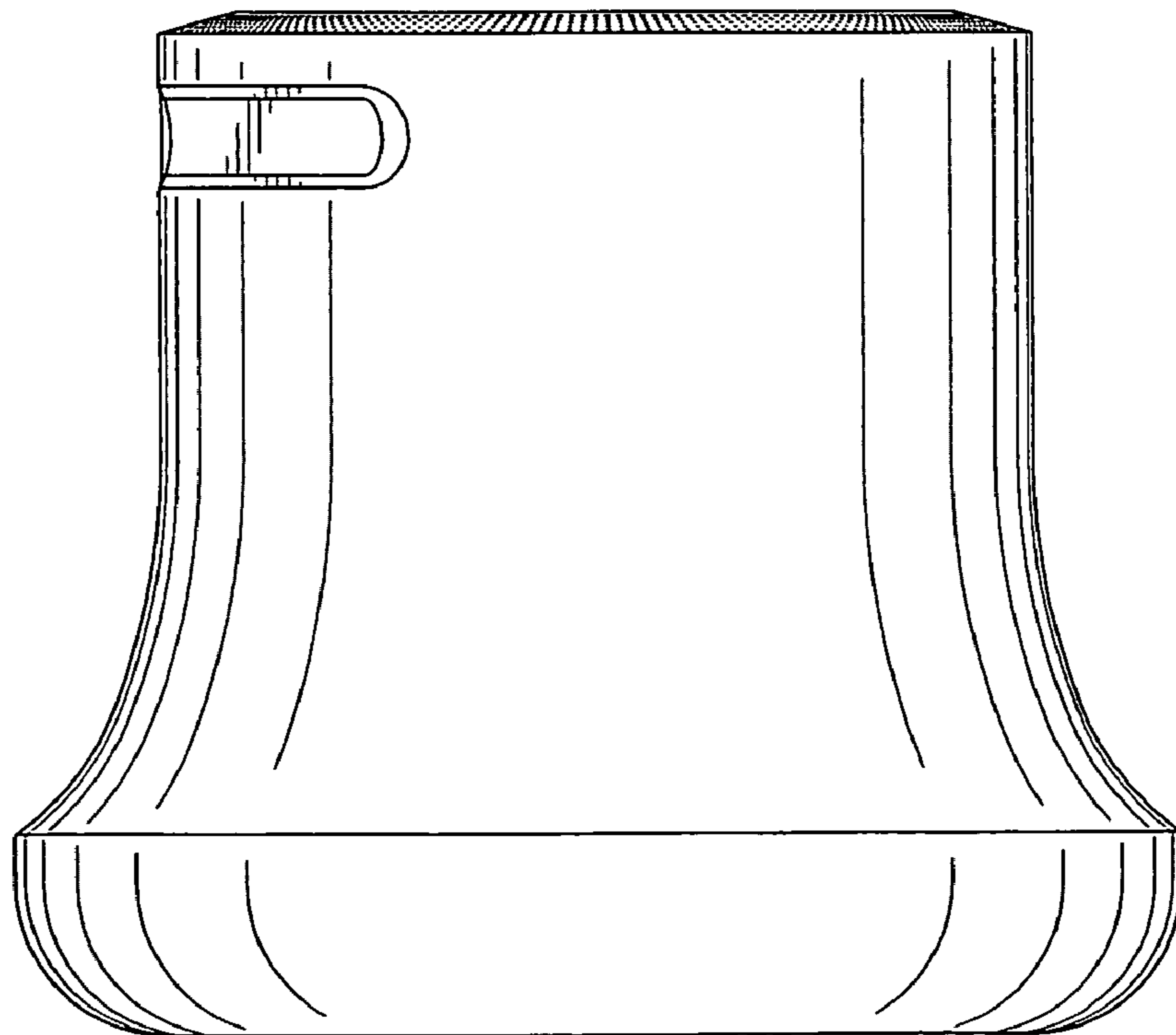


FIG. 5

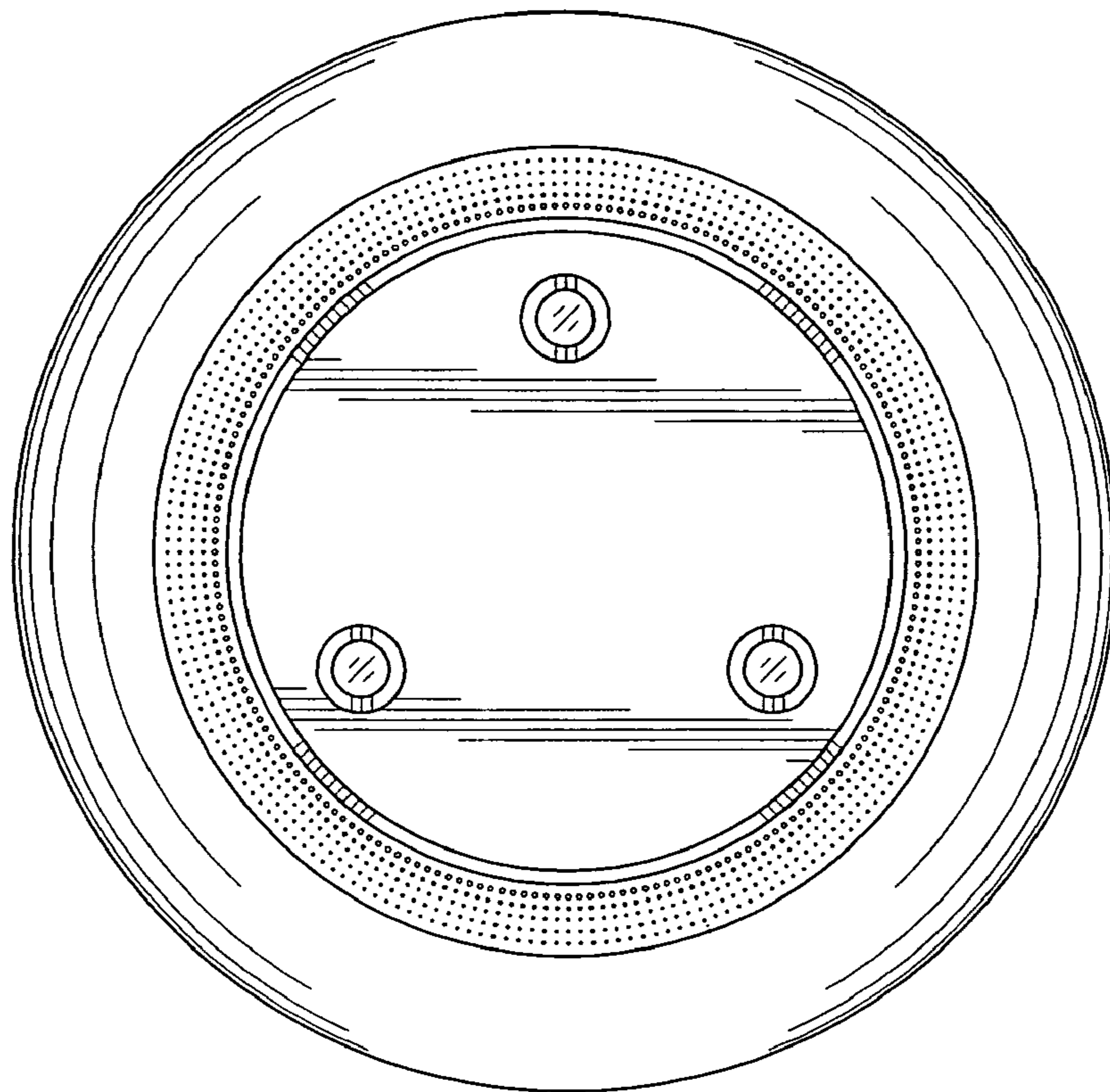


FIG. 6

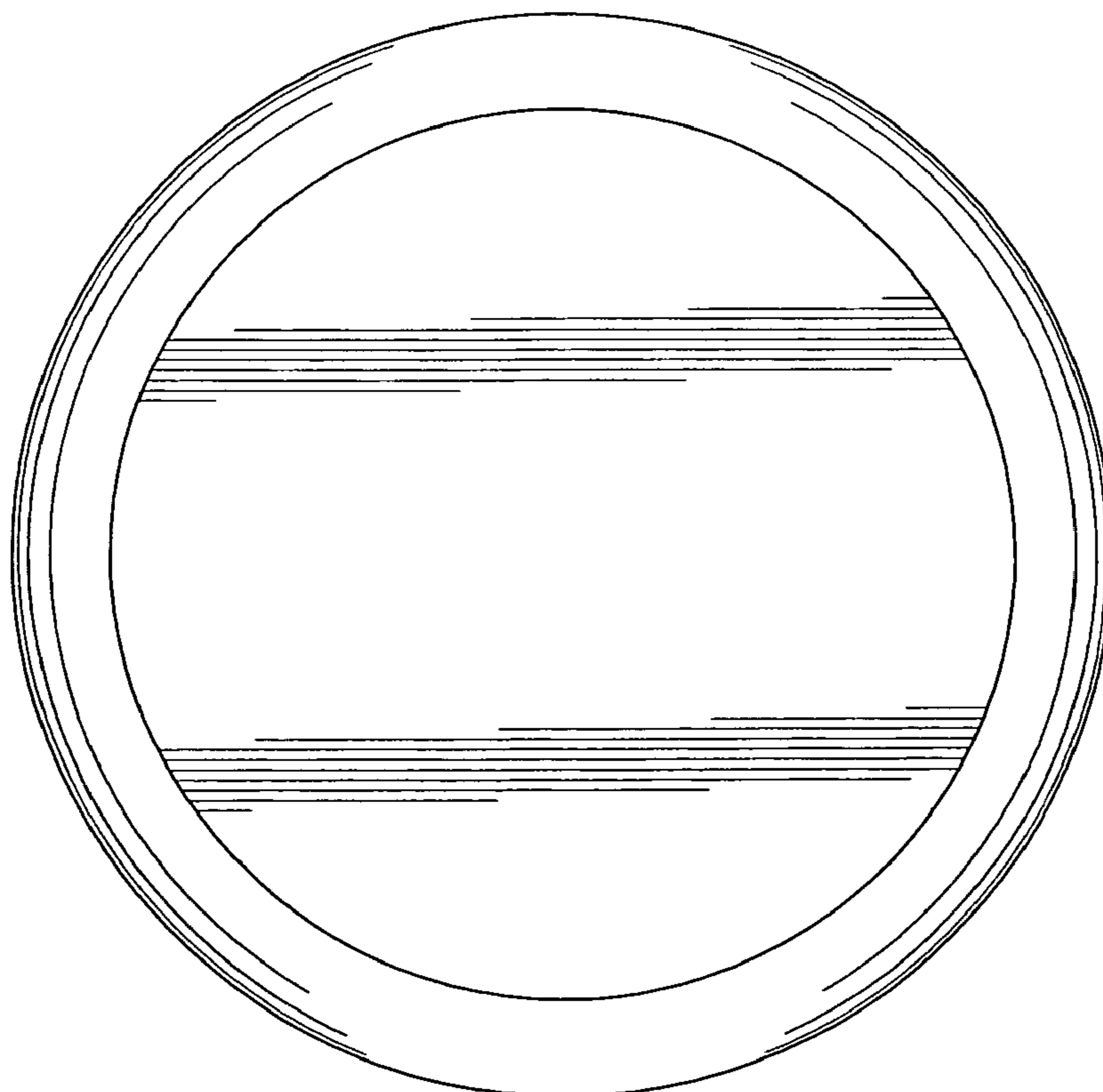


FIG. 7