



US00D602969S

(12) **United States Design Patent**
Collet et al.

(10) **Patent No.:** **US D602,969 S**
(45) **Date of Patent:** **** Oct. 27, 2009**

(54) **PORTABLE PROJECTOR HOUSING**

(75) Inventors: **Roeland Collet**, Olympia, WA (US);
Matthew L. Carmean, Everett, WA
(US)

(73) Assignee: **Microvision, Inc.**, Redmond, WA (US)

(**) Term: **14 Years**

(21) Appl. No.: **29/328,005**

(22) Filed: **Nov. 17, 2008**

(51) **LOC (9) Cl.** **16-02**

(52) **U.S. Cl.** **D16/221**

(58) **Field of Classification Search** D16/235,
D16/221, 225, 230-231, 234, 205, 218; D21/514;
353/115, 119, 122, 97; D14/496, 135, 188,
D14/265; 455/347, 349, 351, 3.06; D13/160,
D13/162, 164, 184

See application file for complete search history.

(56) **References Cited**

U.S. PATENT DOCUMENTS

D245,701 S *	9/1977	Kinsinger	D16/221
D340,699 S *	10/1993	Chen	D13/164
D354,737 S *	1/1995	Fladung	D13/164
D402,641 S *	12/1998	Heijnen	D13/184
D452,513 S *	12/2001	Uehara	D14/496
D474,491 S *	5/2003	Kim	D16/235
6,793,347 B2 *	9/2004	Morishita	353/119
D505,428 S *	5/2005	Yagihashi	D14/496
D518,500 S *	4/2006	Loew	D16/229
D520,045 S *	5/2006	Han et al.	D16/230
7,070,285 B2 *	7/2006	Wu	353/97
D560,686 S *	1/2008	Kim	D14/496
D564,493 S *	3/2008	Tejima	D14/168
D582,385 S *	12/2008	Sanguinetti	D14/188
2006/0114431 A1 *	6/2006	Ushiro	353/119

* cited by examiner

Primary Examiner—Ian Simmons

Assistant Examiner—Wan Laymon

(74) *Attorney, Agent, or Firm*—Kevin D. Wills

(57) **CLAIM**

The ornamental design for a portable projector housing or similar article, as shown and described.

DESCRIPTION

FIG. 1 is a top, front and left side perspective view of an embodiment of an ornamental design for a portable projector housing or similar article;

FIG. 2 is a bottom, rear and right side perspective view of the embodiment of FIG. 1;

FIG. 3 is a top, rear, right side perspective view of the embodiment of FIG. 1

FIG. 4 is a top plan view of the embodiment of FIG. 1;

FIG. 5 is a bottom plan view of the embodiment of FIG. 1;

FIG. 6 is a left side elevation view of the embodiment of FIG. 1;

FIG. 7 is a right side elevation view of the embodiment of FIG. 1;

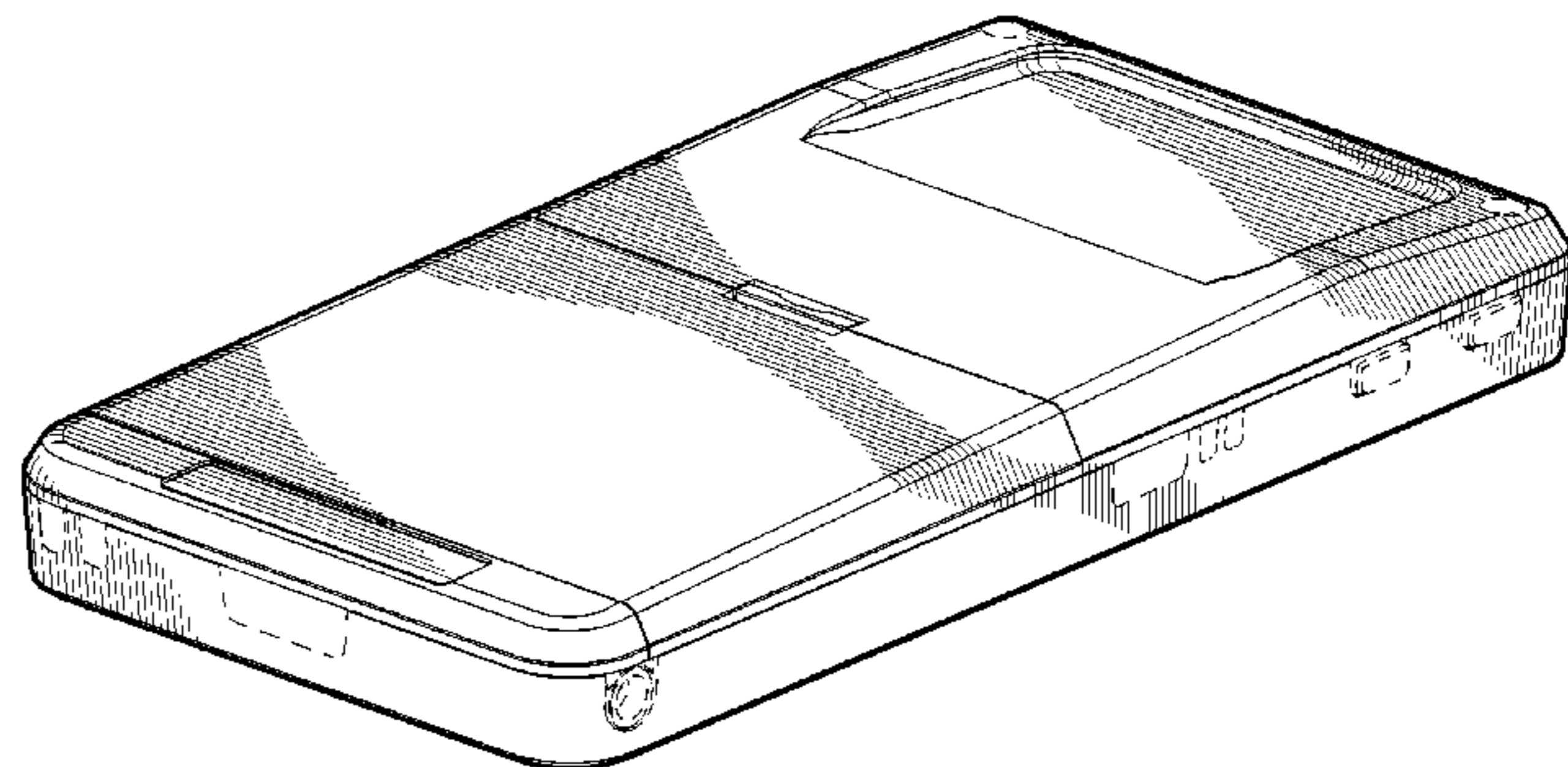
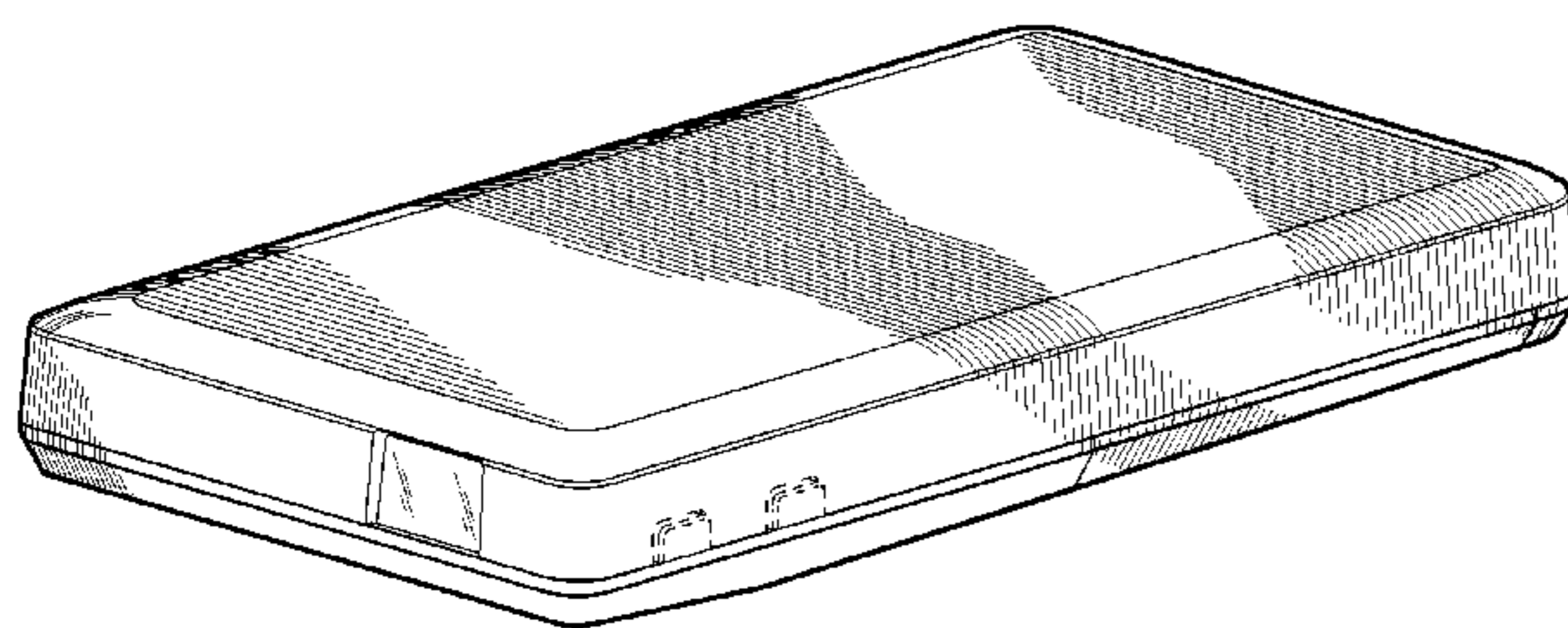
FIG. 8 is a front elevation view of the embodiment of FIG. 1;

FIG. 9 is a rear elevation view of the embodiment of FIG. 1; and,

FIG. 10 is a bottom, rear and right side perspective view of another embodiment of an ornamental design for a portable projector housing or similar article.

The broken line portions of the drawings form no part of the claimed design or a specific embodiment thereof.

1 Claim, 6 Drawing Sheets



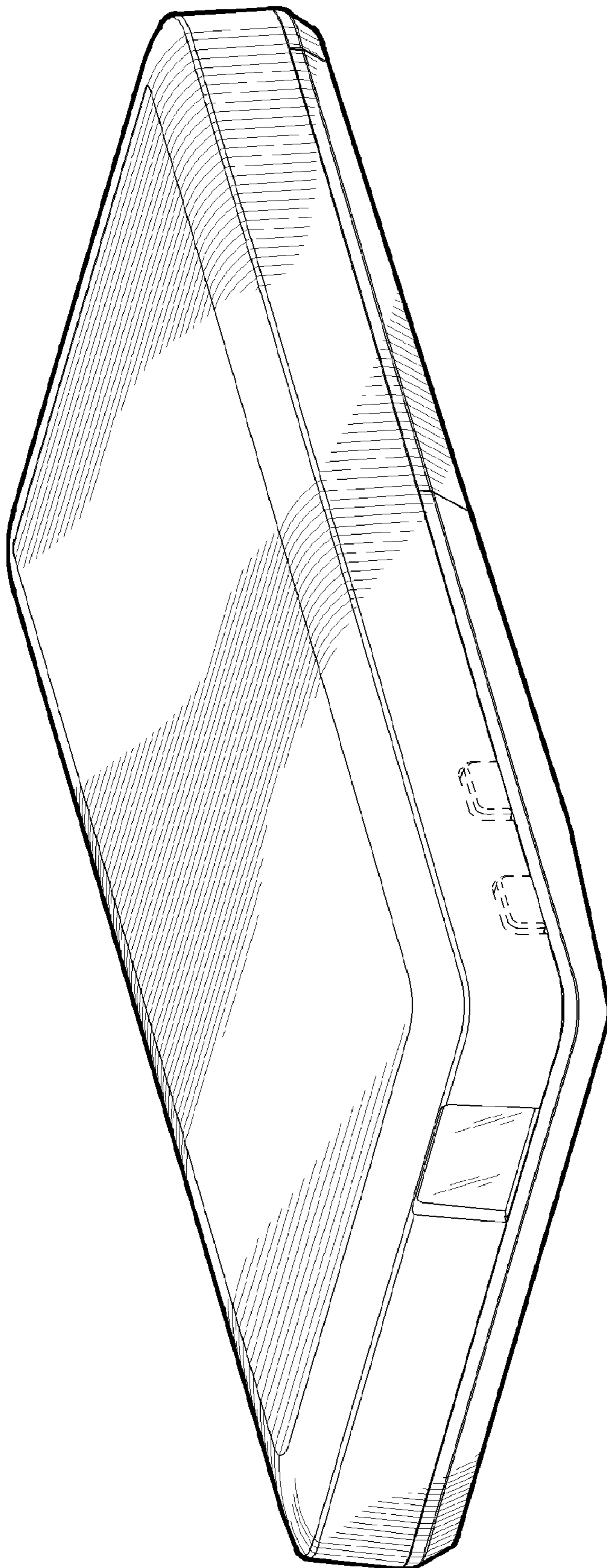


Fig. 1

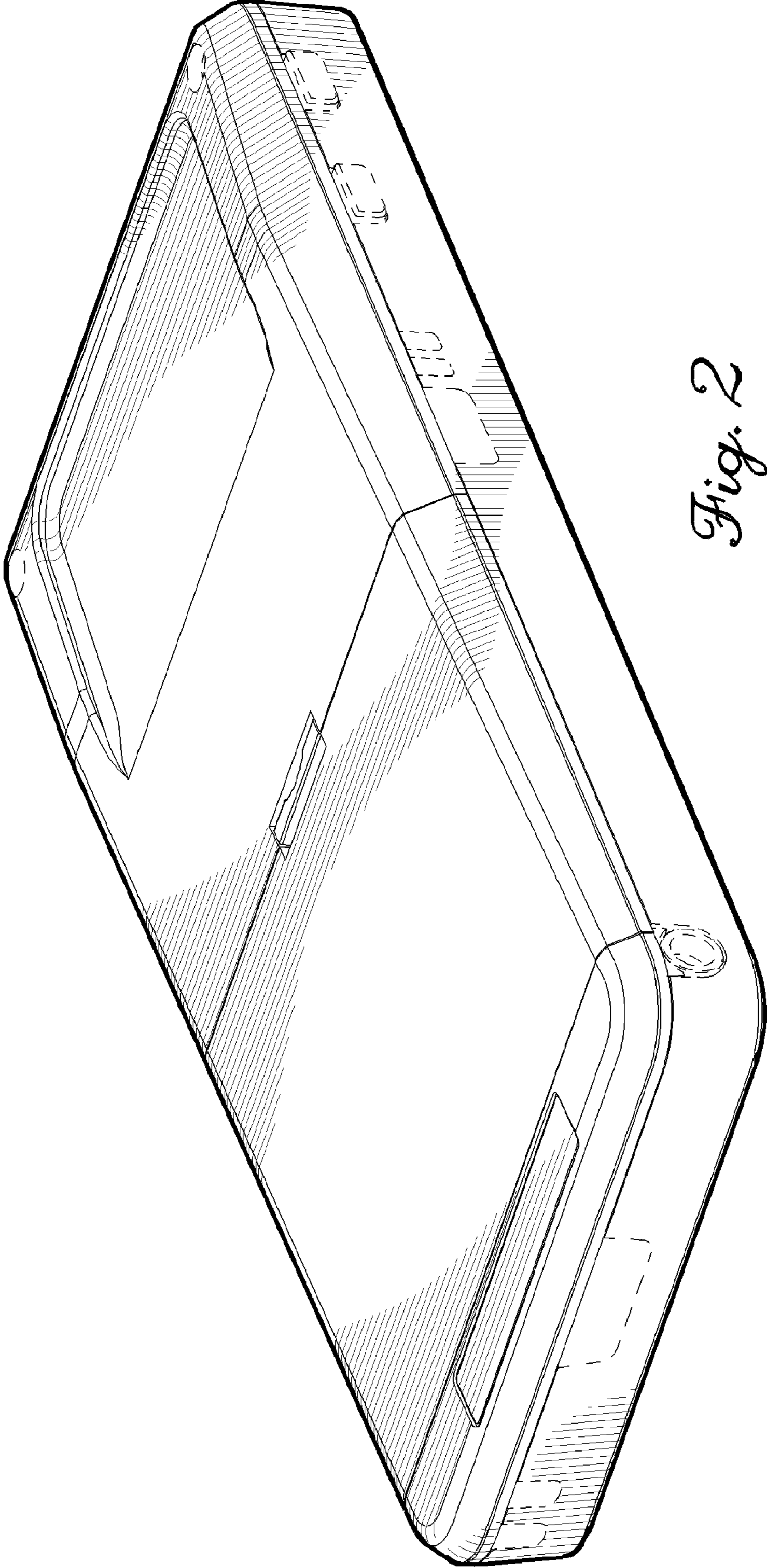


Fig. 2

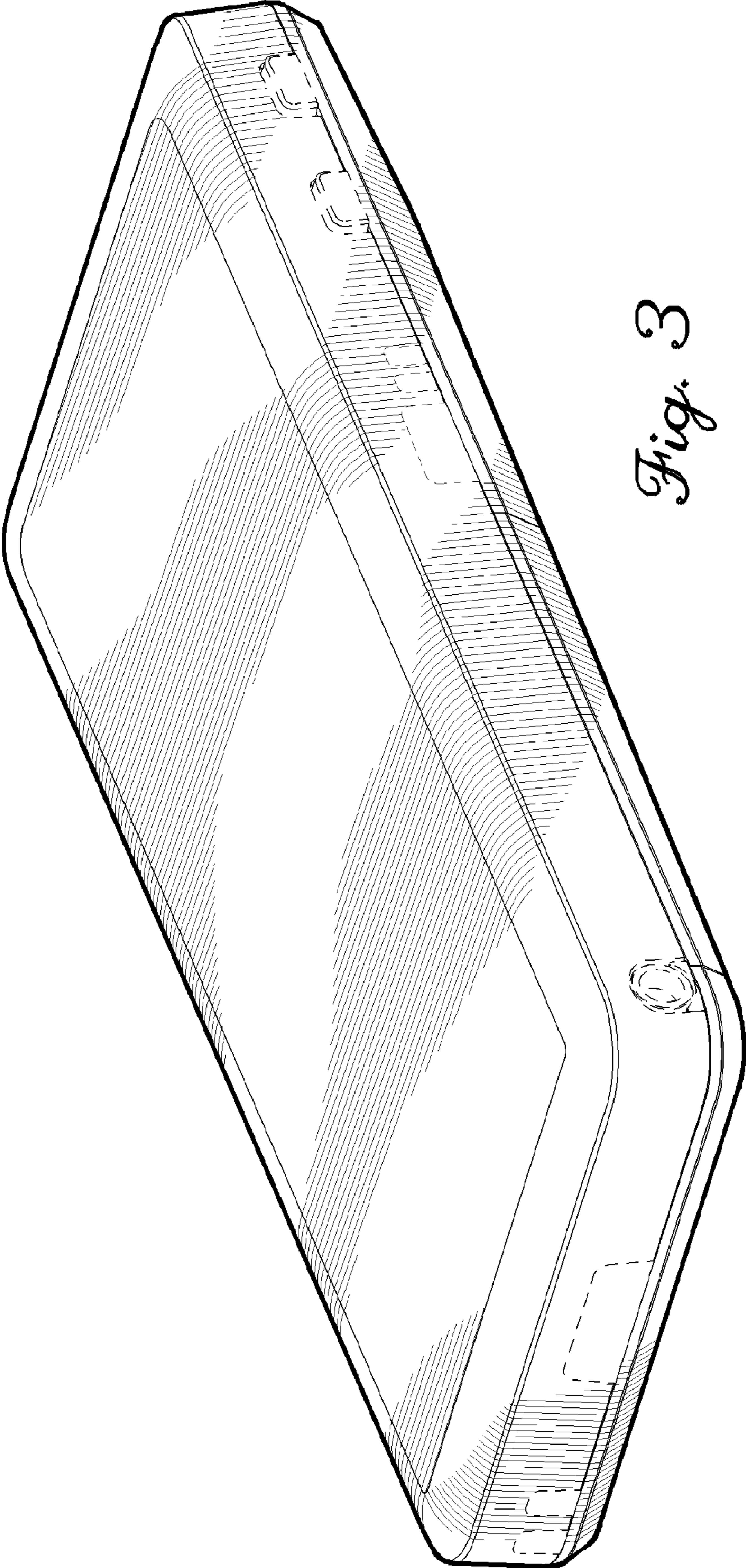


Fig. 3

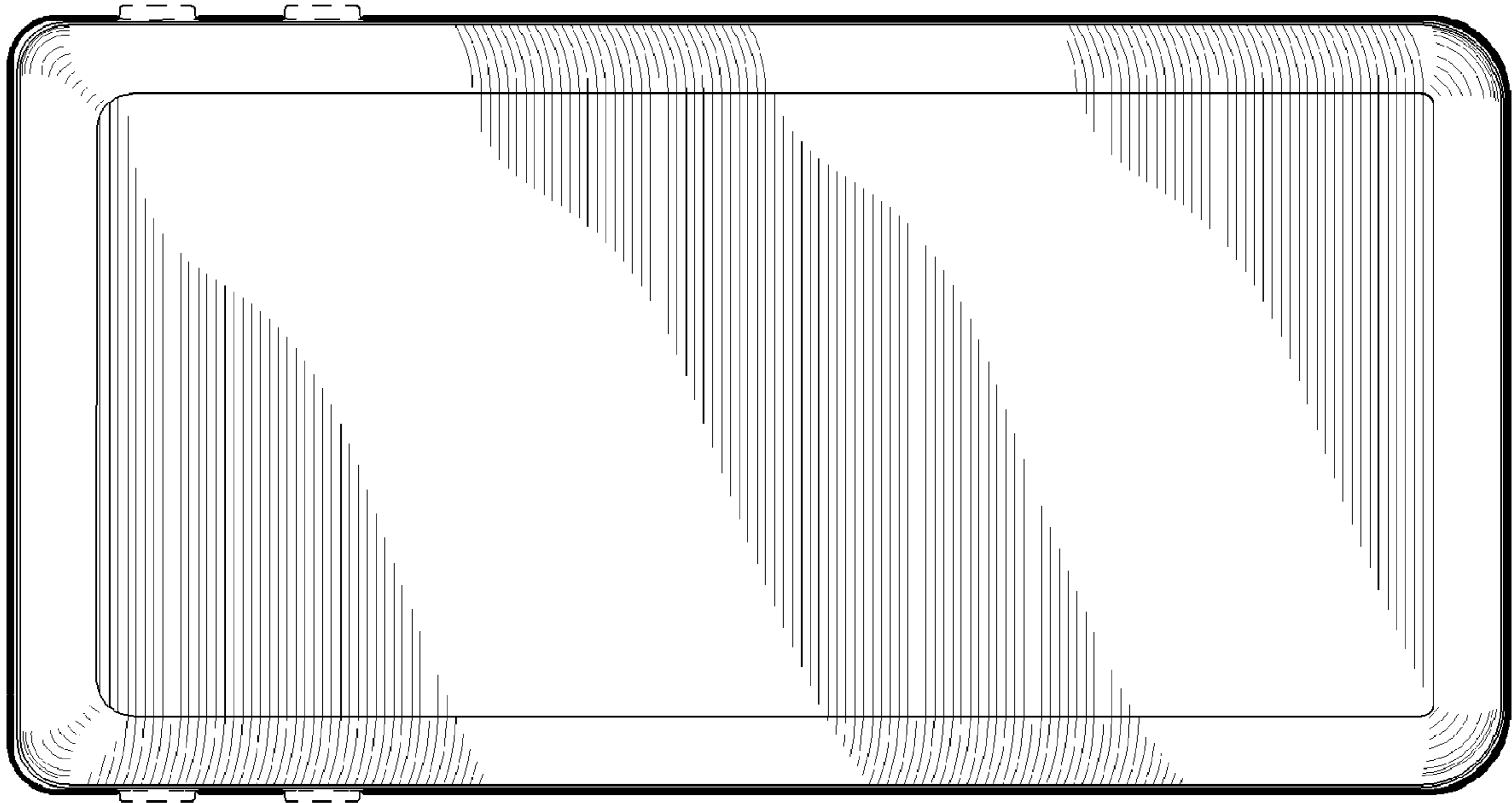


Fig. 4

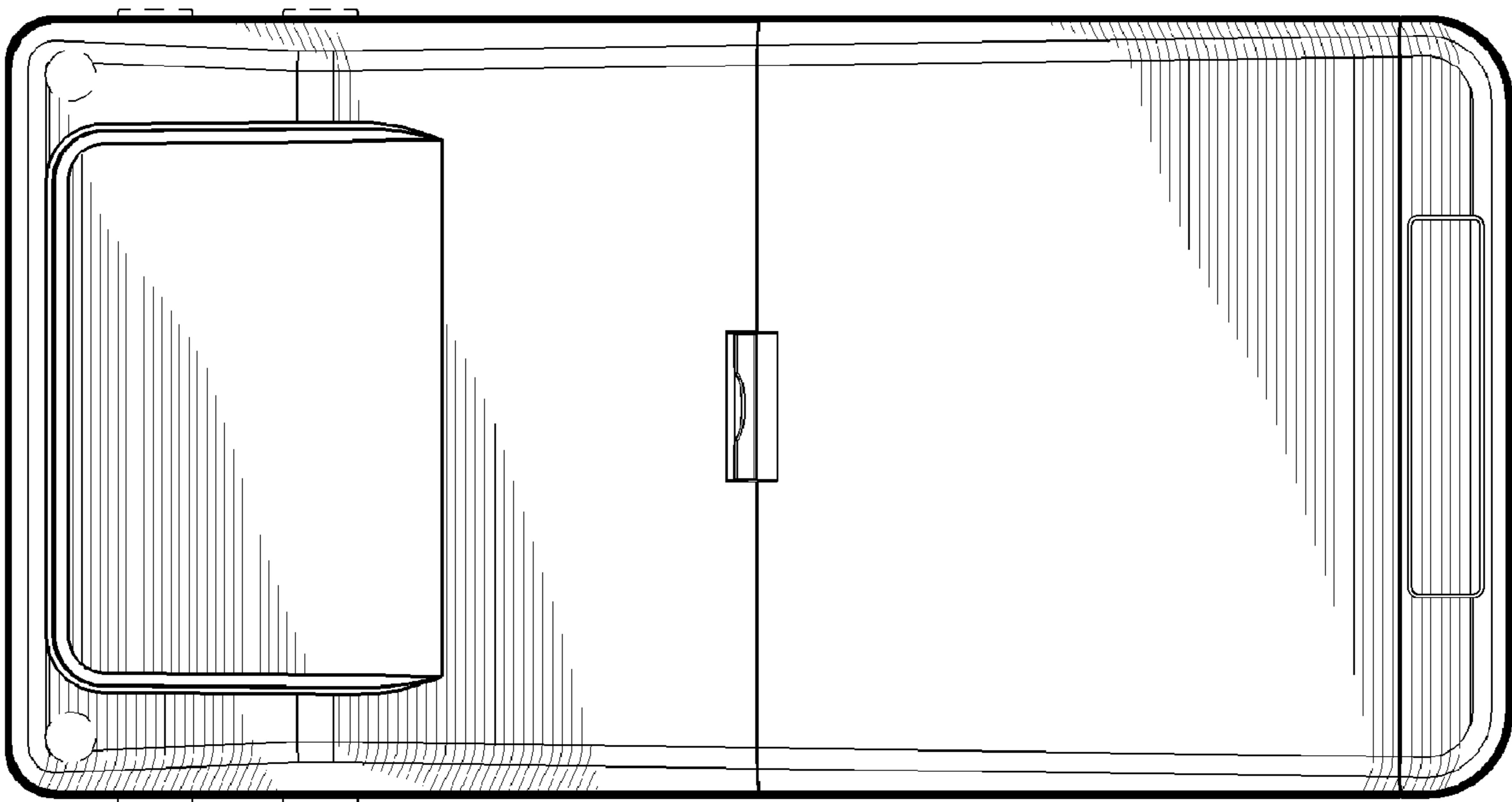


Fig. 5

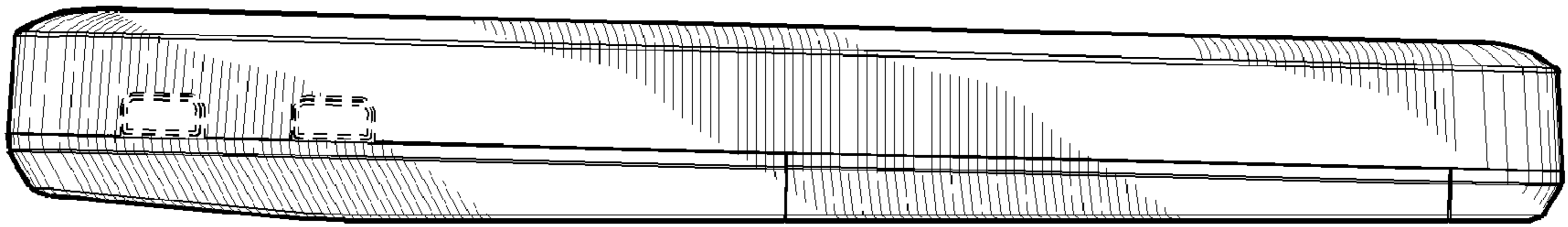


Fig. 6

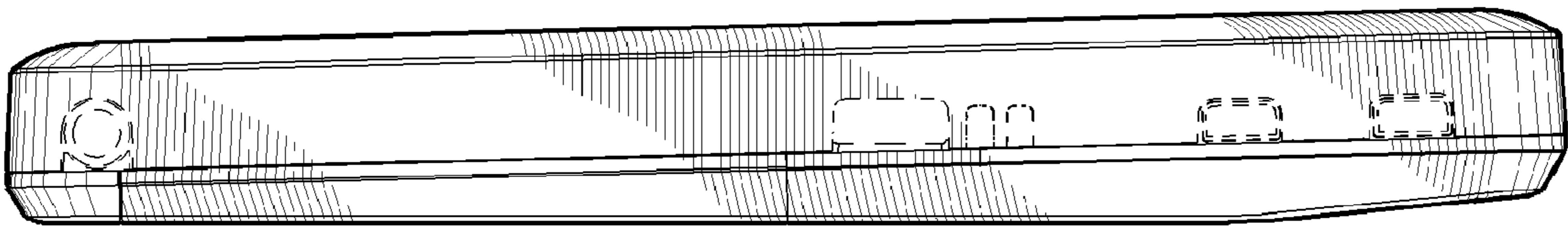


Fig. 7

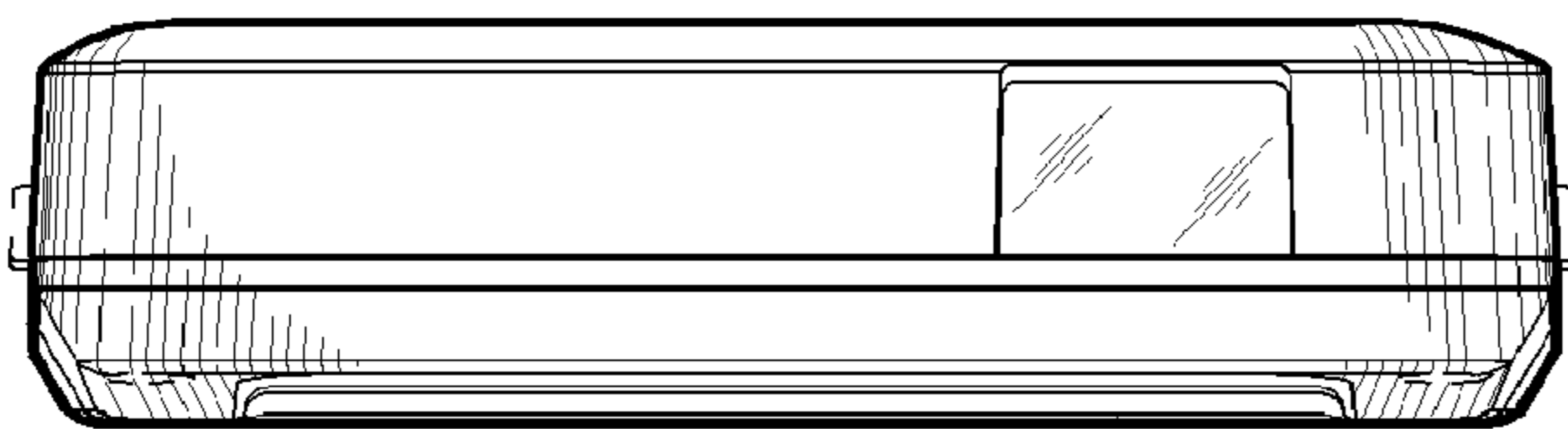


Fig. 8

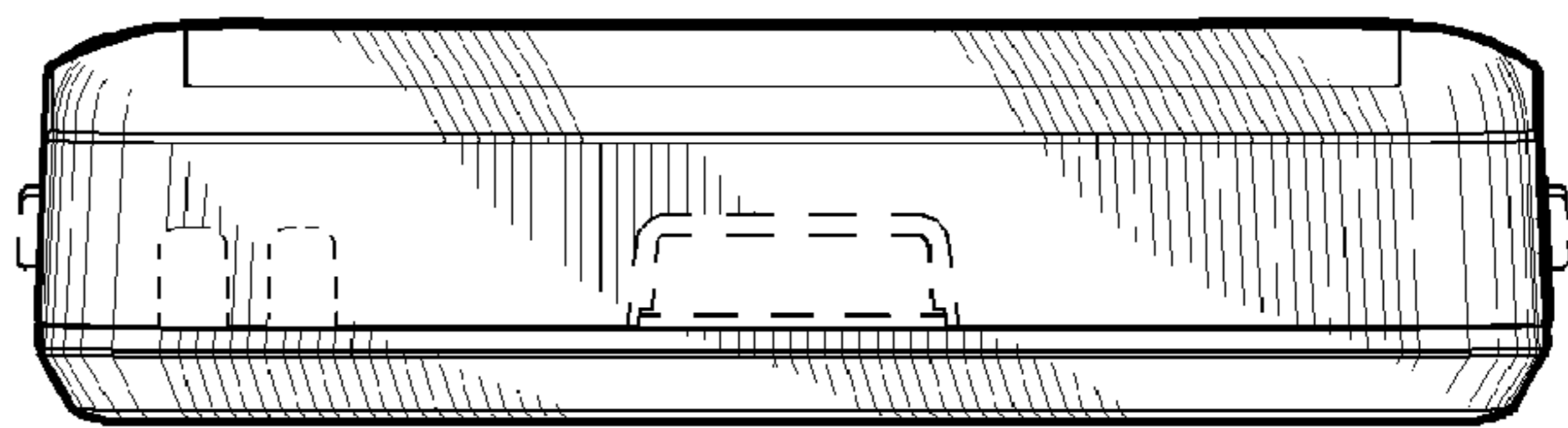


Fig. 9

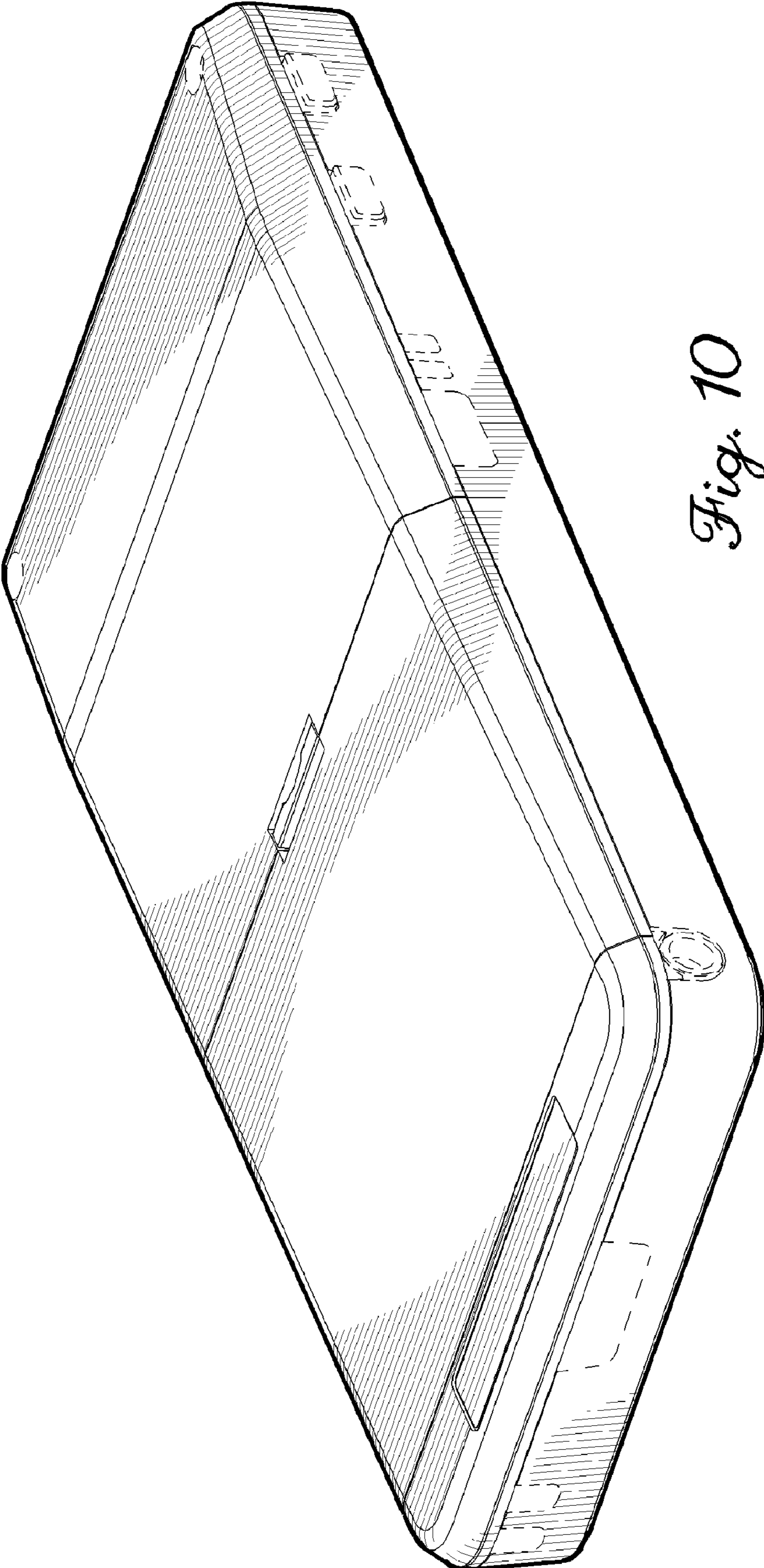


Fig. 10