



US00D602968S

(12) **United States Design Patent**  
**Sato**

(10) **Patent No.:** **US D602,968 S**  
(45) **Date of Patent:** **\*\* Oct. 27, 2009**

(54) **ELECTRONIC CAMERA**

(75) Inventor: **Jun Sato**, Tokyo (JP)

(73) Assignee: **Fujifilm Corporation**, Tokyo (JP)

(\*\*) Term: **14 Years**

(21) Appl. No.: **29/320,654**

(22) Filed: **Jul. 1, 2008**

(30) **Foreign Application Priority Data**

Jan. 18, 2008 (JP) ..... 2008-000837

(51) **LOC (9) Cl.** ..... **16-01**

(52) **U.S. Cl.** ..... **D16/212; D16/202**

(58) **Field of Classification Search** ..... D16/200–204,  
D16/208, 211, 212, 218; 348/373–376; 358/909.1;  
396/349, 448, 535–541

See application file for complete search history.

(56) **References Cited**

**U.S. PATENT DOCUMENTS**

4,219,265 A \* 8/1980 Waaske ..... 396/349  
D541,834 S \* 5/2007 Horikiri et al. .... D16/202  
7,239,806 B2 \* 7/2007 Chen ..... 396/448  
D567,836 S \* 4/2008 Sato ..... D16/202

D568,362 S \* 5/2008 Horikiri et al. .... D16/212  
D572,286 S \* 7/2008 Kuroda ..... D16/202  
D588,178 S \* 3/2009 Sakai ..... D16/212

\* cited by examiner

*Primary Examiner*—Adir Aronovich

(74) *Attorney, Agent, or Firm*—Young & Thompson

(57) **CLAIM**

The ornamental design for an electronic camera, as shown and described.

**DESCRIPTION**

FIG. 1 is a top, front and left side perspective view of an electronic camera showing my new design;

FIG. 2 is a front elevational view thereof;

FIG. 3 is a rear elevational view thereof;

FIG. 4 is a top plan view thereof;

FIG. 5 is a bottom plan view thereof;

FIG. 6 is a left side elevational view thereof;

FIG. 7 is a right side elevational view thereof; and,

FIG. 8 is a top, front and right side perspective view thereof, the lens cover closed.

**1 Claim, 4 Drawing Sheets**

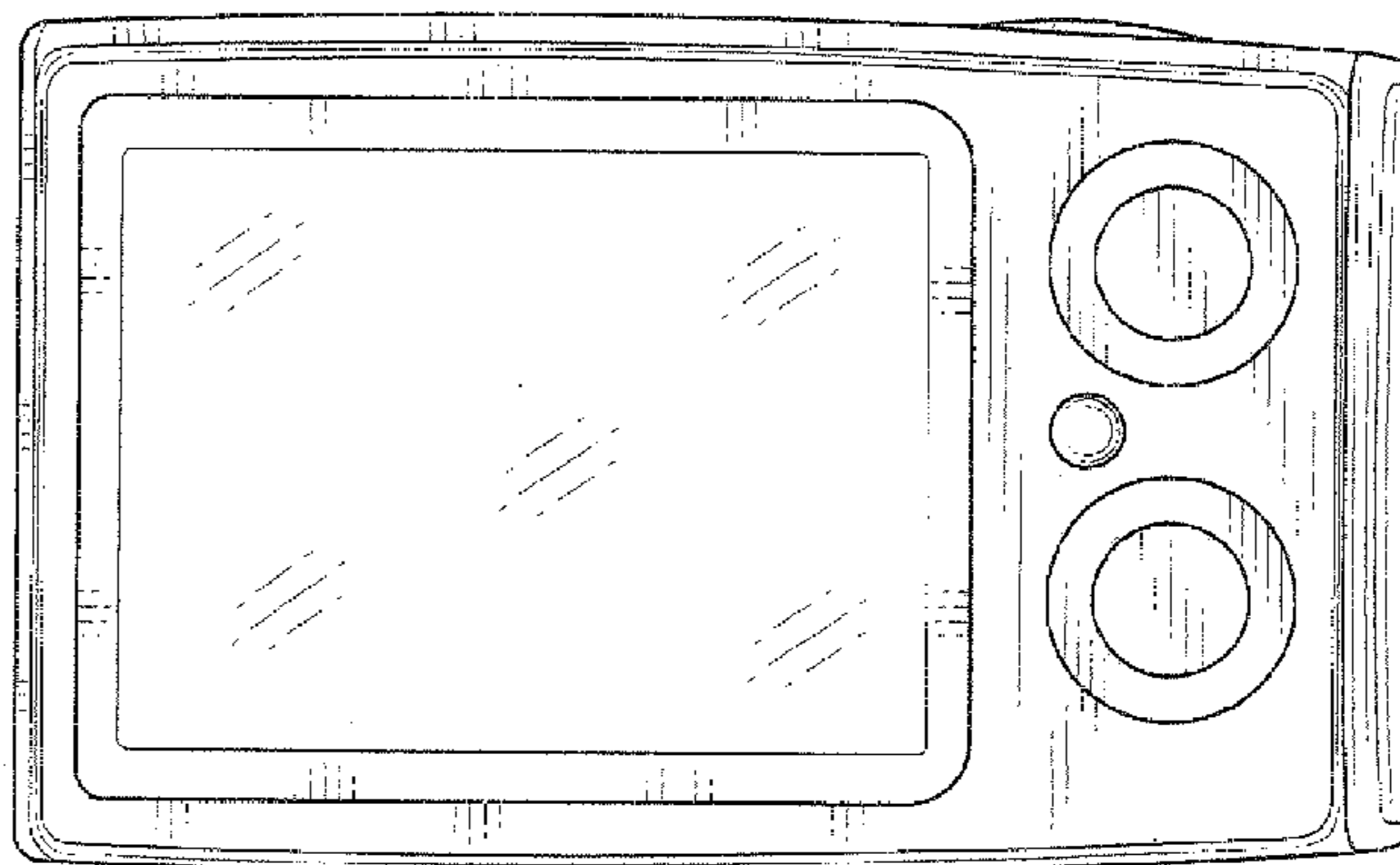
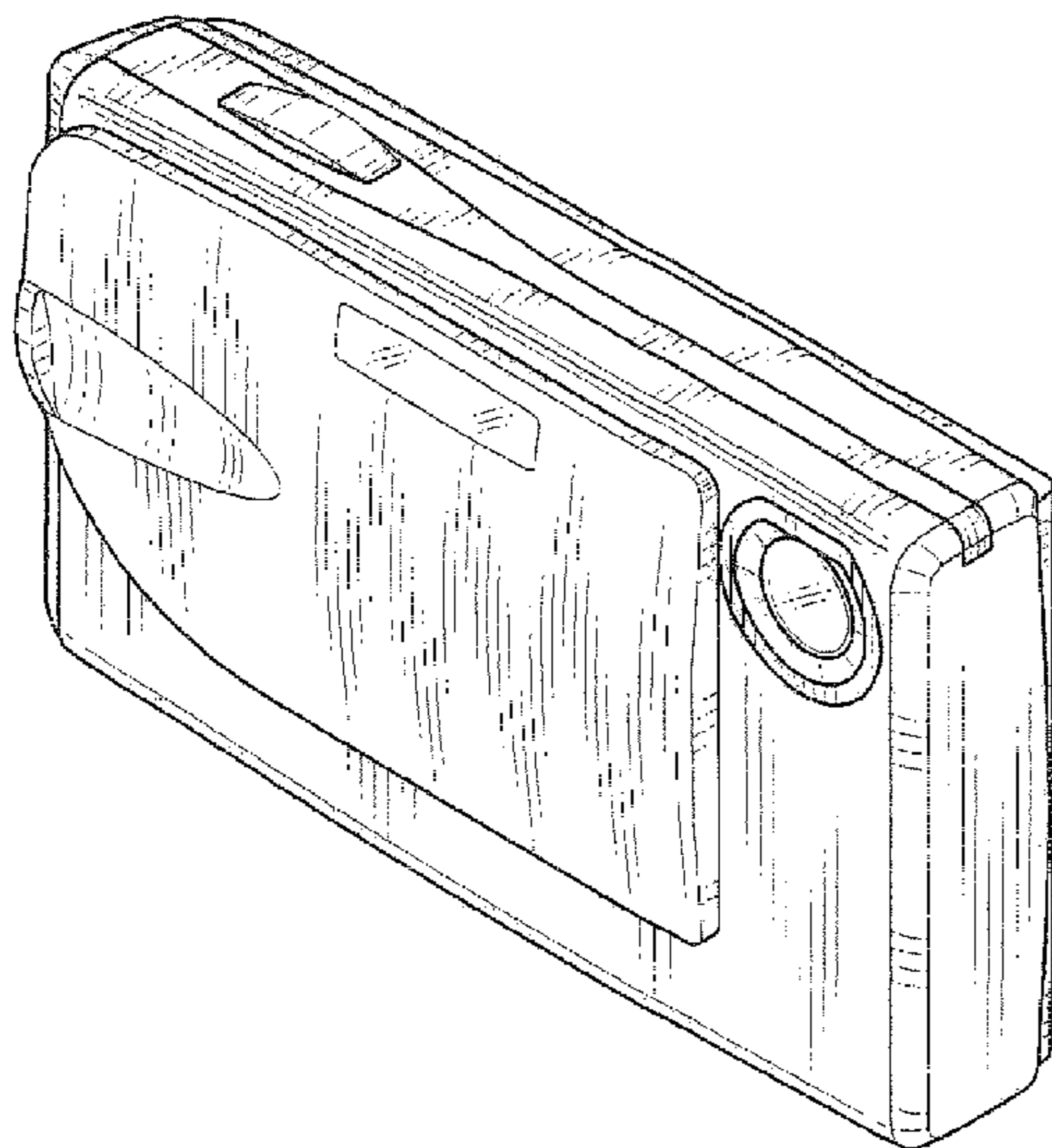


FIG. 1

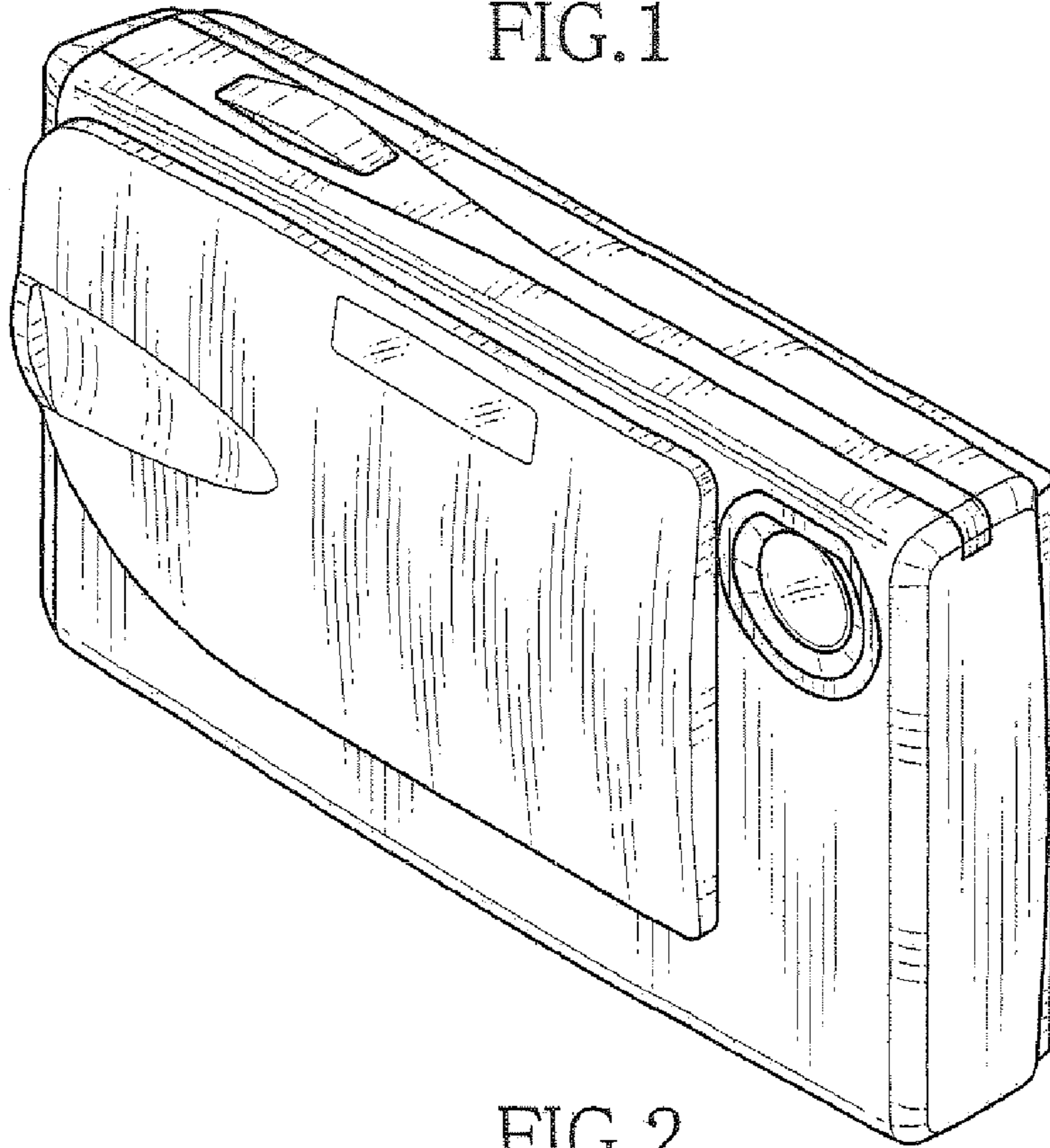


FIG. 2

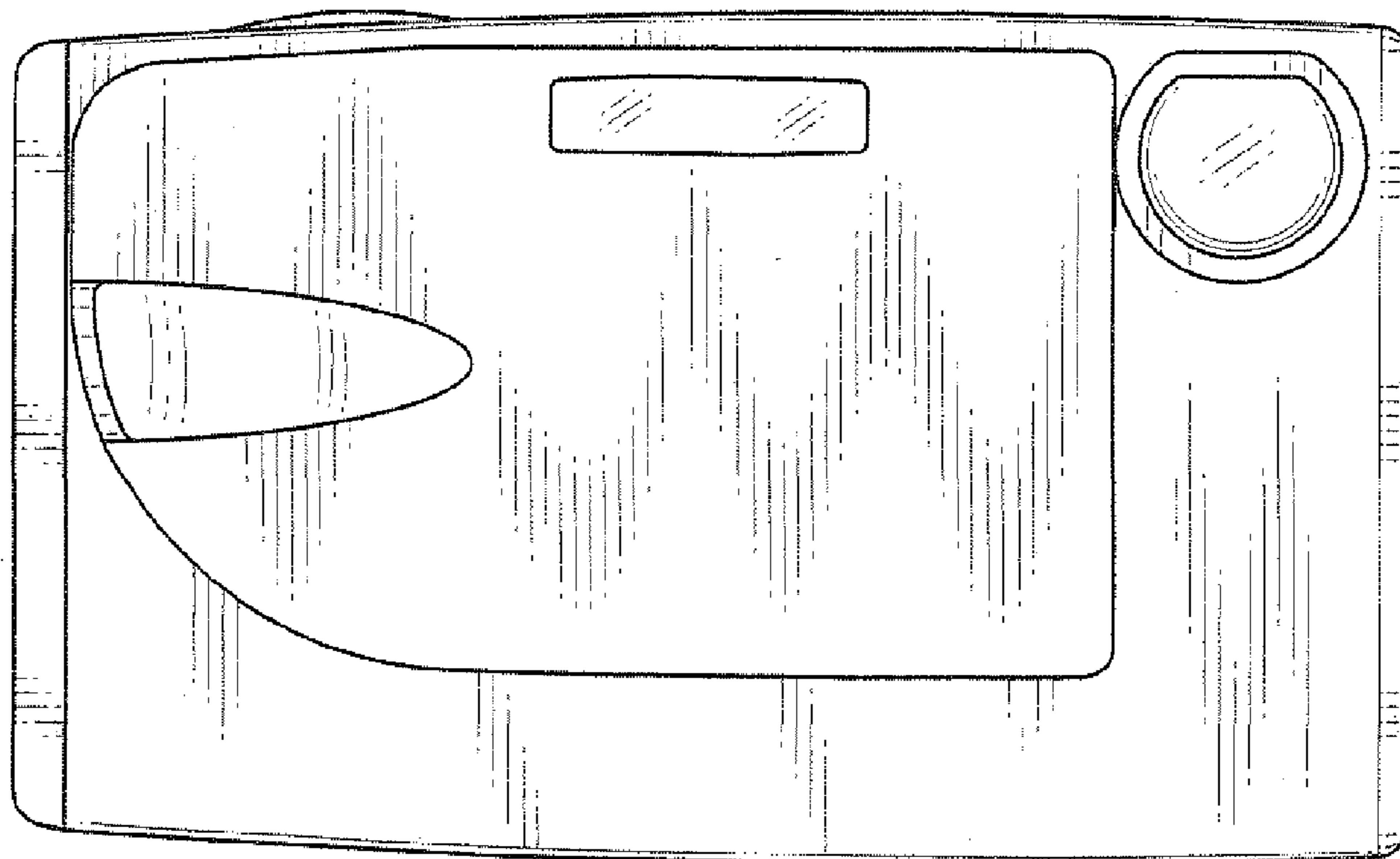


FIG. 3

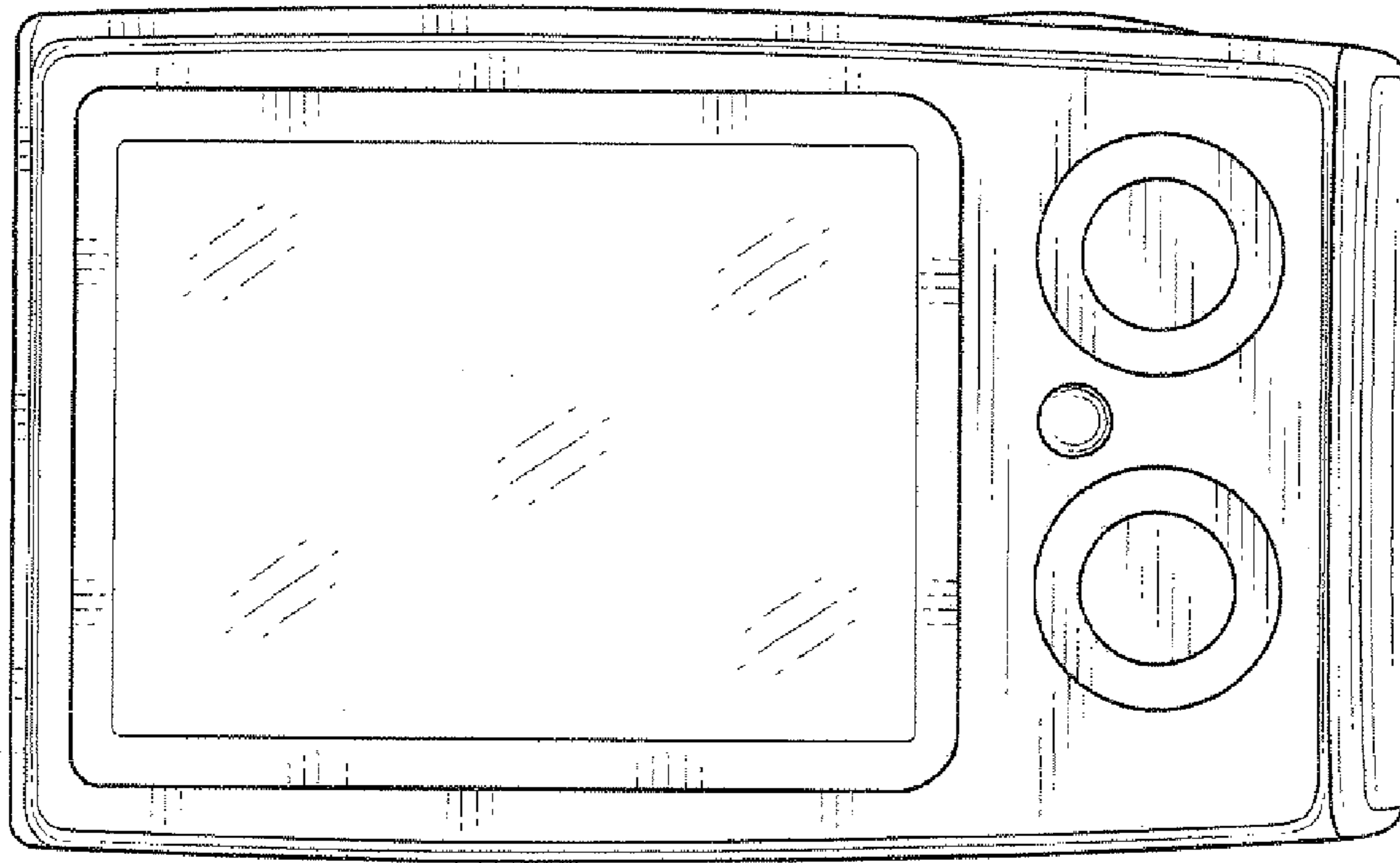


FIG. 4

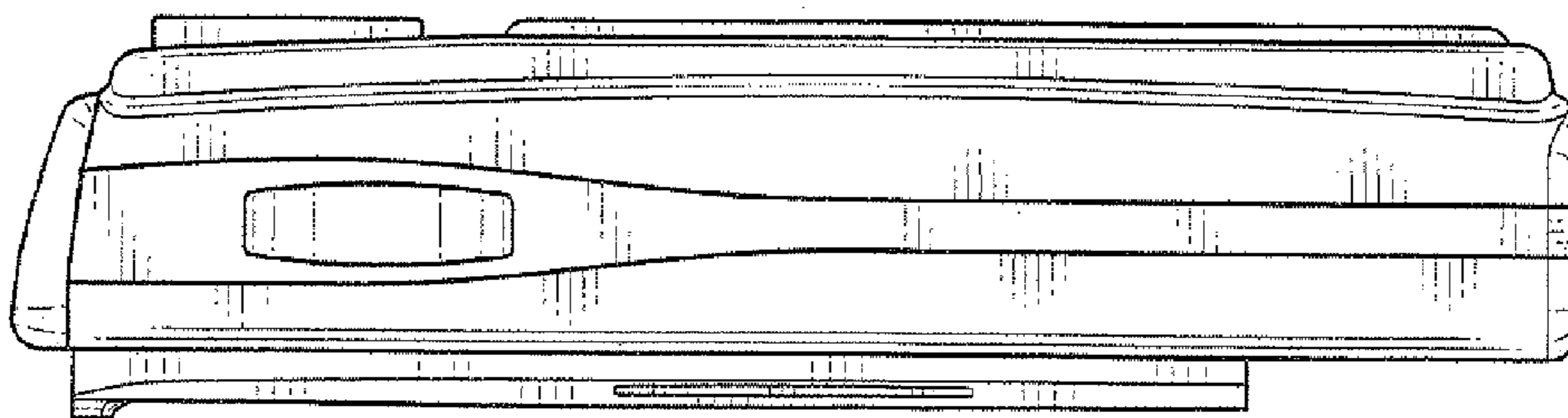


FIG.5

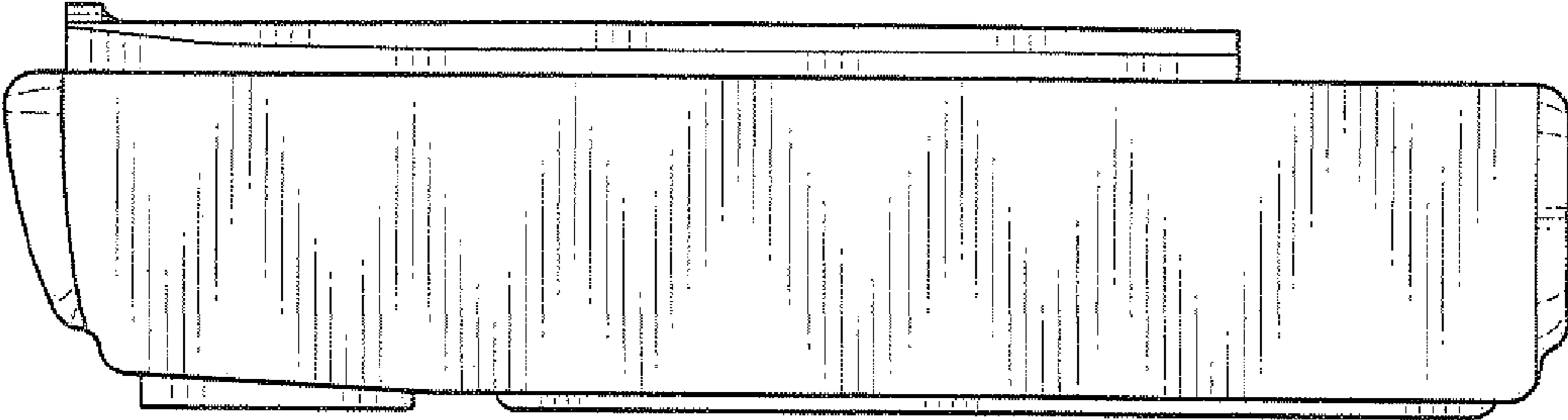


FIG.6

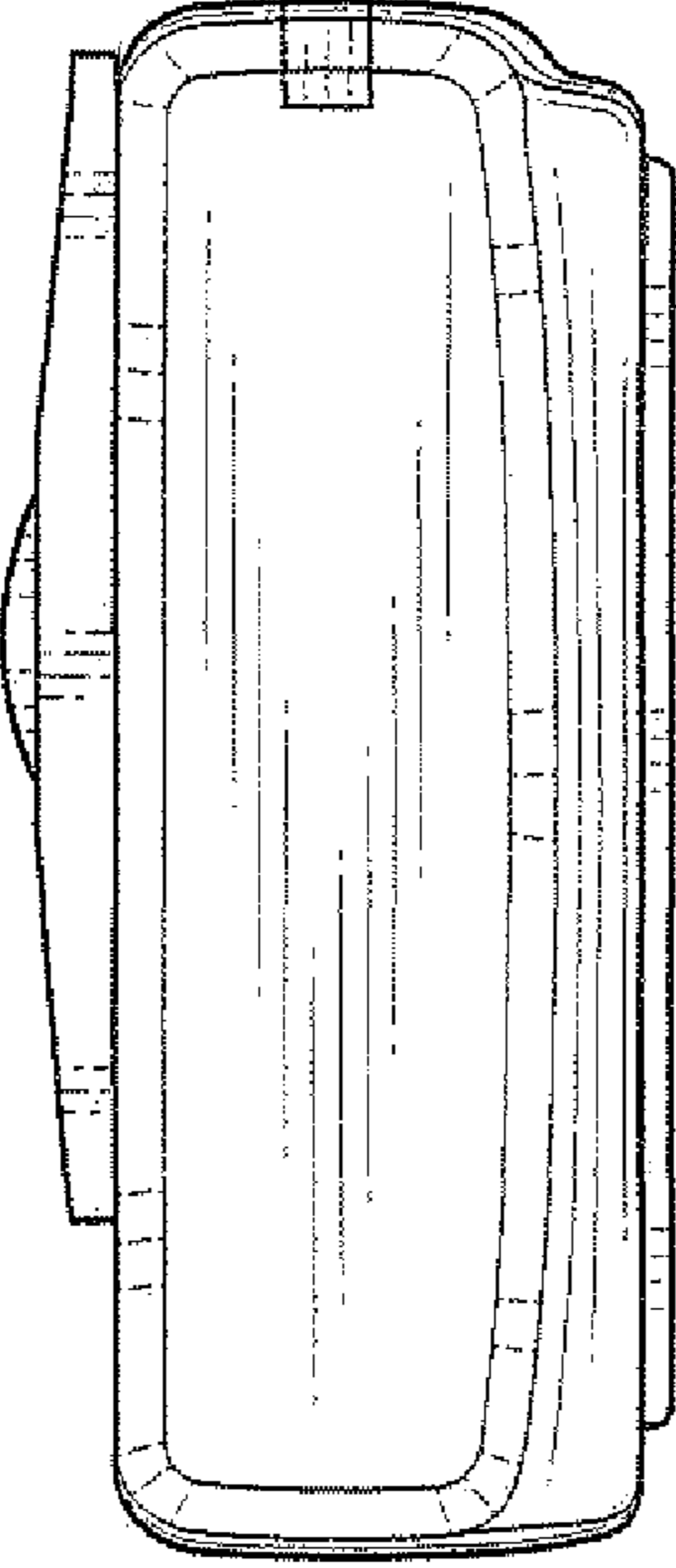


FIG. 7

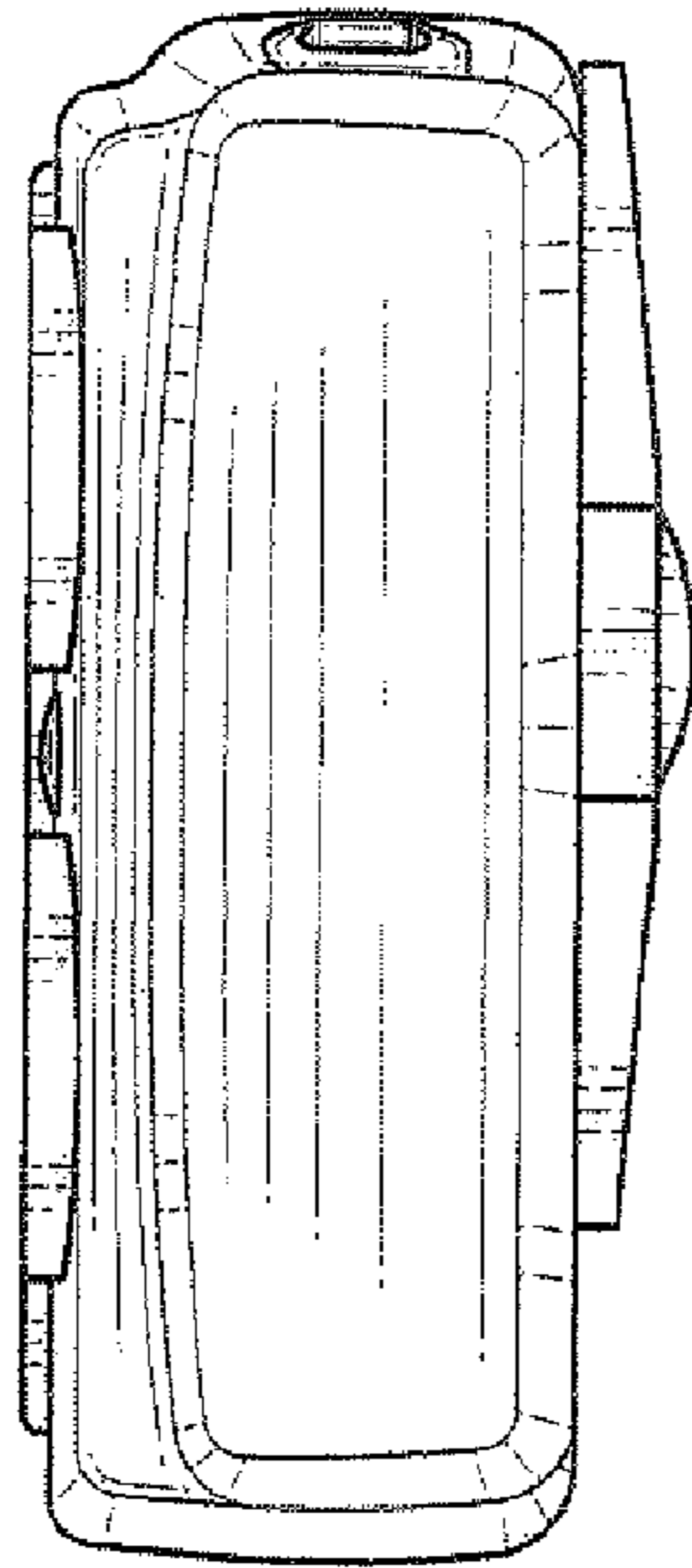


FIG. 8

