



US00D602967S

(12) **United States Design Patent**
Hui

(10) **Patent No.:** **US D602,967 S**

(45) **Date of Patent:** **** Oct. 27, 2009**

(54) **HANDHELD LED MAGNIFIER LIGHT**

(75) Inventor: **Chi Ming Hui**, New Territories (CN)

(73) Assignee: **Chi Bon Industrial Company Limited**,
Tsuen Wan, New Territories, Hong Kong
(CN)

(**) Term: **14 Years**

(21) Appl. No.: **29/291,129**

(22) Filed: **Aug. 14, 2007**

(51) **LOC (9) Cl.** **16-06**

(52) **U.S. Cl.** **D16/135**

(58) **Field of Classification Search** D16/135;
D21/483; D26/38; D28/48, 64.3, 64.5; D6/300,
D6/309; 359/798, 803, 804, 805, 810, 811,
359/812, 818, 819, 822; 362/33, 109, 157;
600/558

See application file for complete search history.

(56) **References Cited**

U.S. PATENT DOCUMENTS

2,268,430	A *	12/1941	Silbernagel	359/812
2,322,441	A *	6/1943	Holliday	359/812
2,373,610	A *	4/1945	Stegeman	359/812
D191,141	S *	8/1961	Burlin et al.	D16/135
D269,275	S *	6/1983	Tweedie	D16/135
D303,119	S *	8/1989	Steel et al.	D16/135
4,903,706	A *	2/1990	Vila-Cora et al.	600/558
D324,060	S *	2/1992	Huang	D16/135
D394,073	S *	5/1998	Hennessy et al.	D16/135
D395,907	S *	7/1998	Calello	D16/135

D428,032	S *	7/2000	Lee	D16/135
D440,243	S *	4/2001	Jacquet	D16/135
D509,840	S *	9/2005	Lewis	D16/135
D526,340	S *	8/2006	Hodgson	D16/135

* cited by examiner

Primary Examiner—Paula Greene

(74) *Attorney, Agent, or Firm*—Alix, Yale & Ristas, LLP

(57) **CLAIM**

The ornamental design for a handheld LED magnifier light, as shown and described.

DESCRIPTION

FIG. 1 is a front perspective view of a handheld LED magnifier light showing my new design in a closed position;

FIG. 2 is a rear perspective view thereof in a closed position;

FIG. 3 is a front view thereof;

FIG. 4 is a rear view thereof;

FIG. 5 is a left side view thereof;

FIG. 6 is a right side view thereof;

FIG. 7 is a top plan view thereof;

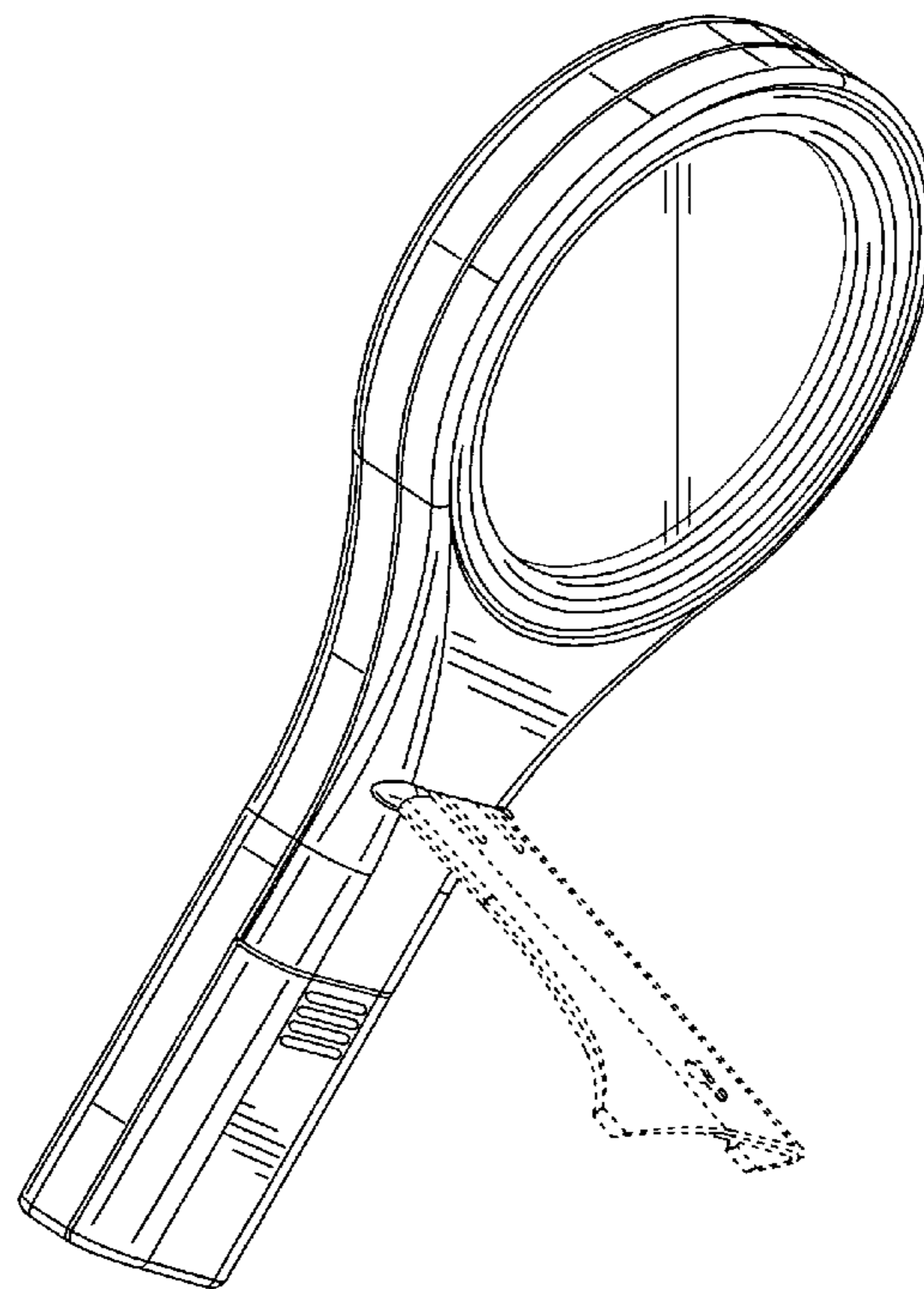
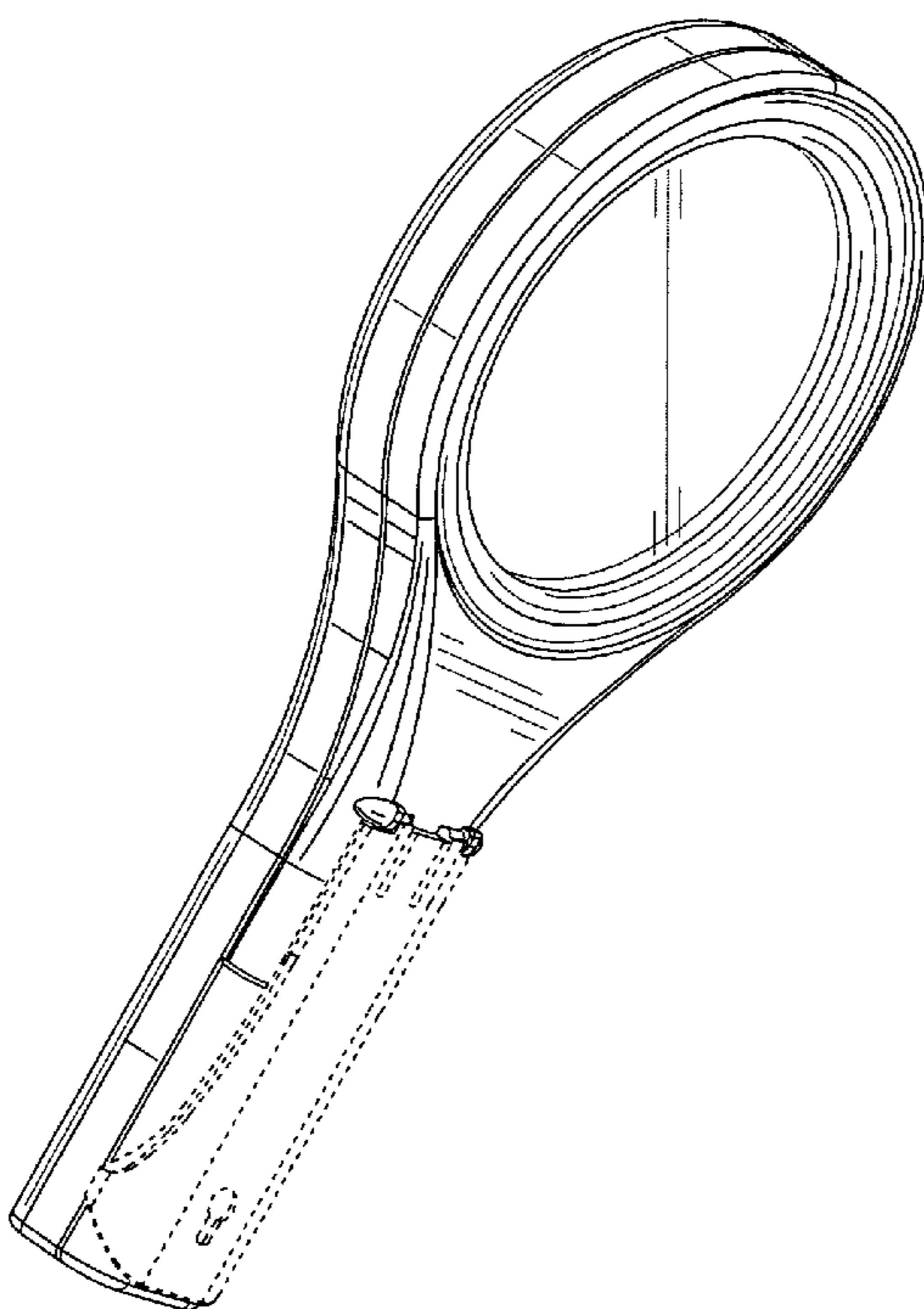
FIG. 8 is a bottom plan view thereof;

FIG. 9 is a front perspective view thereof in an opened position; and,

FIG. 10 is a rear perspective view thereof in an opened position.

No claim is made to the portions shown in broken lines.

1 Claim, 10 Drawing Sheets



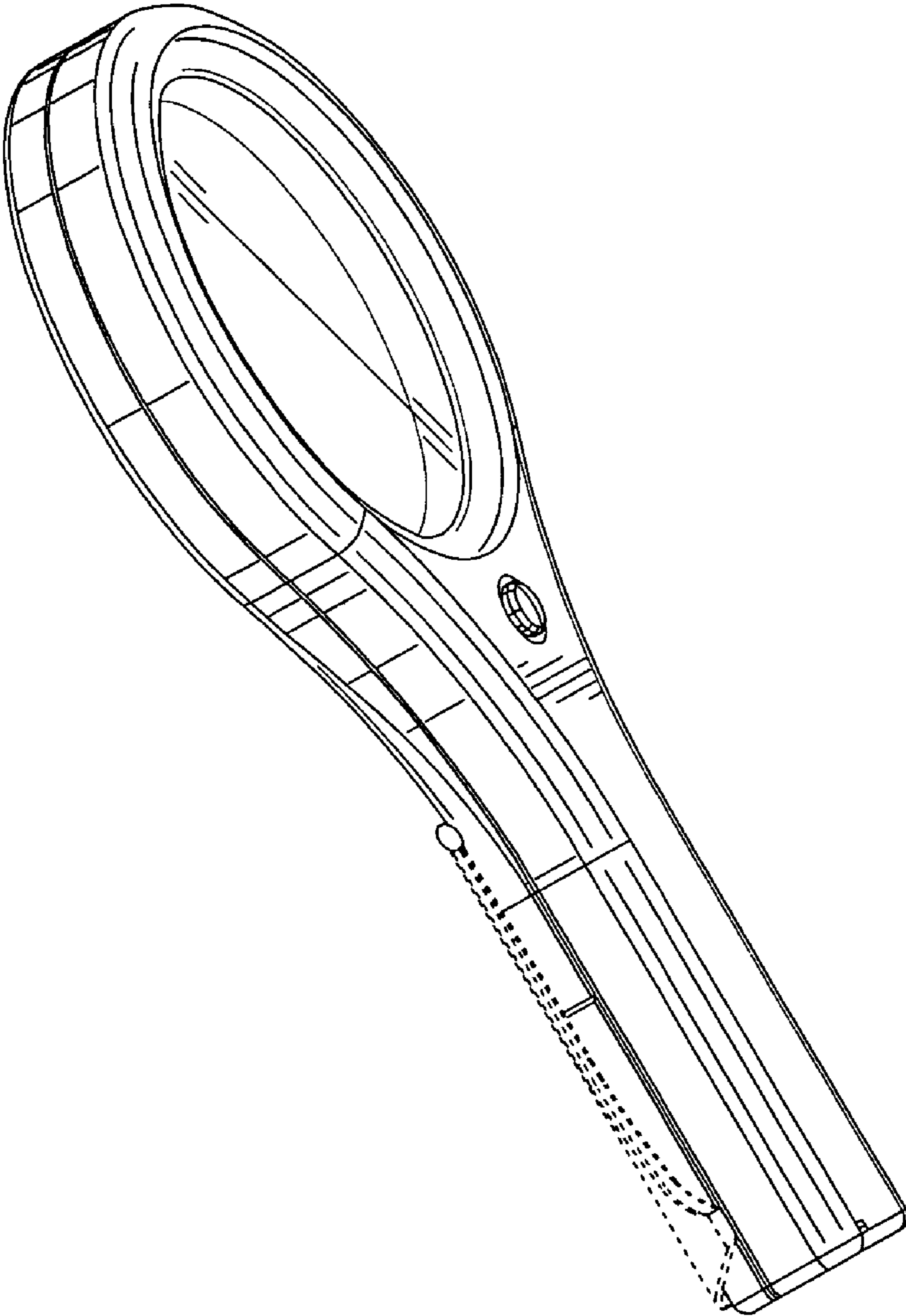


FIG. 1

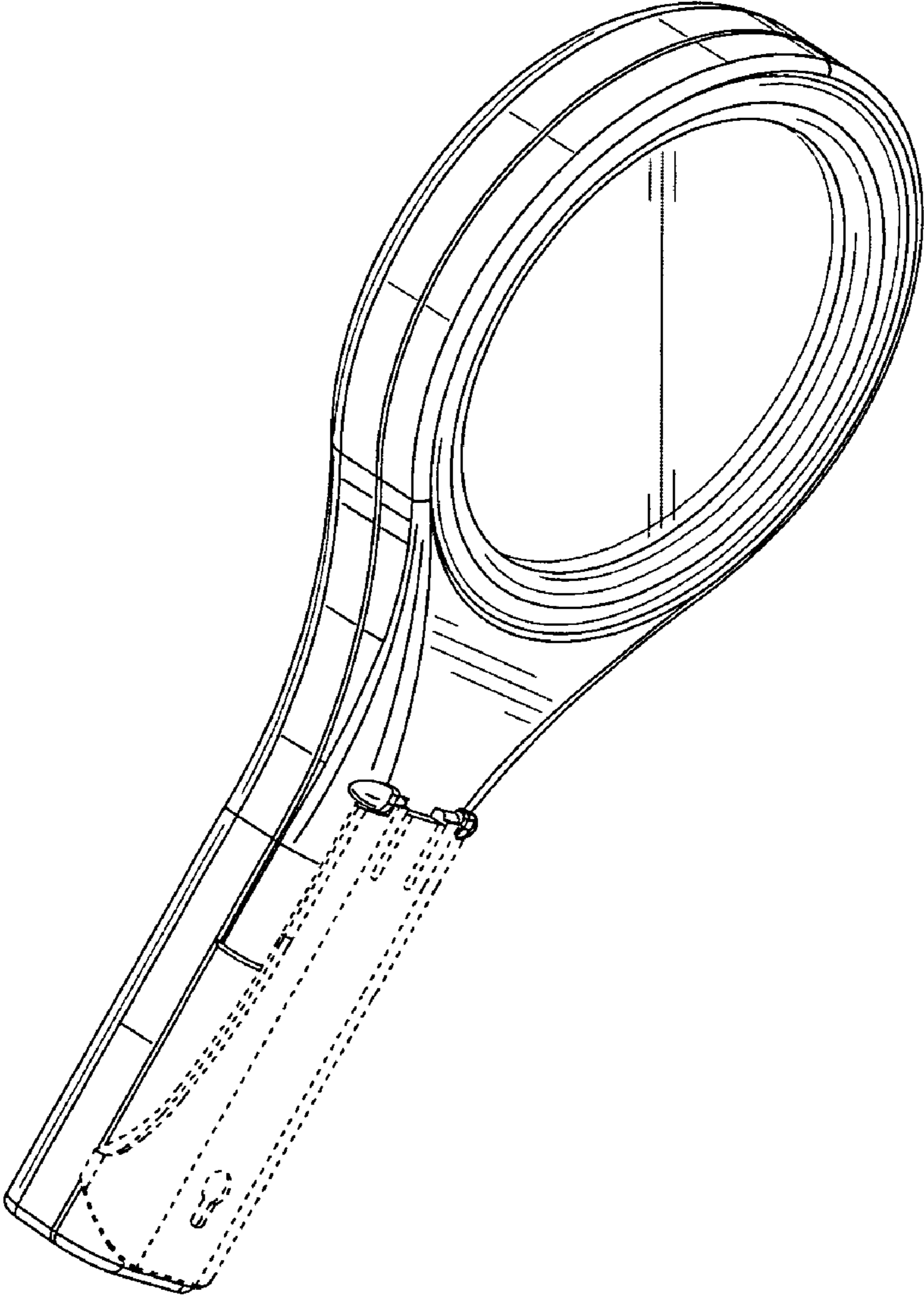


FIG. 2

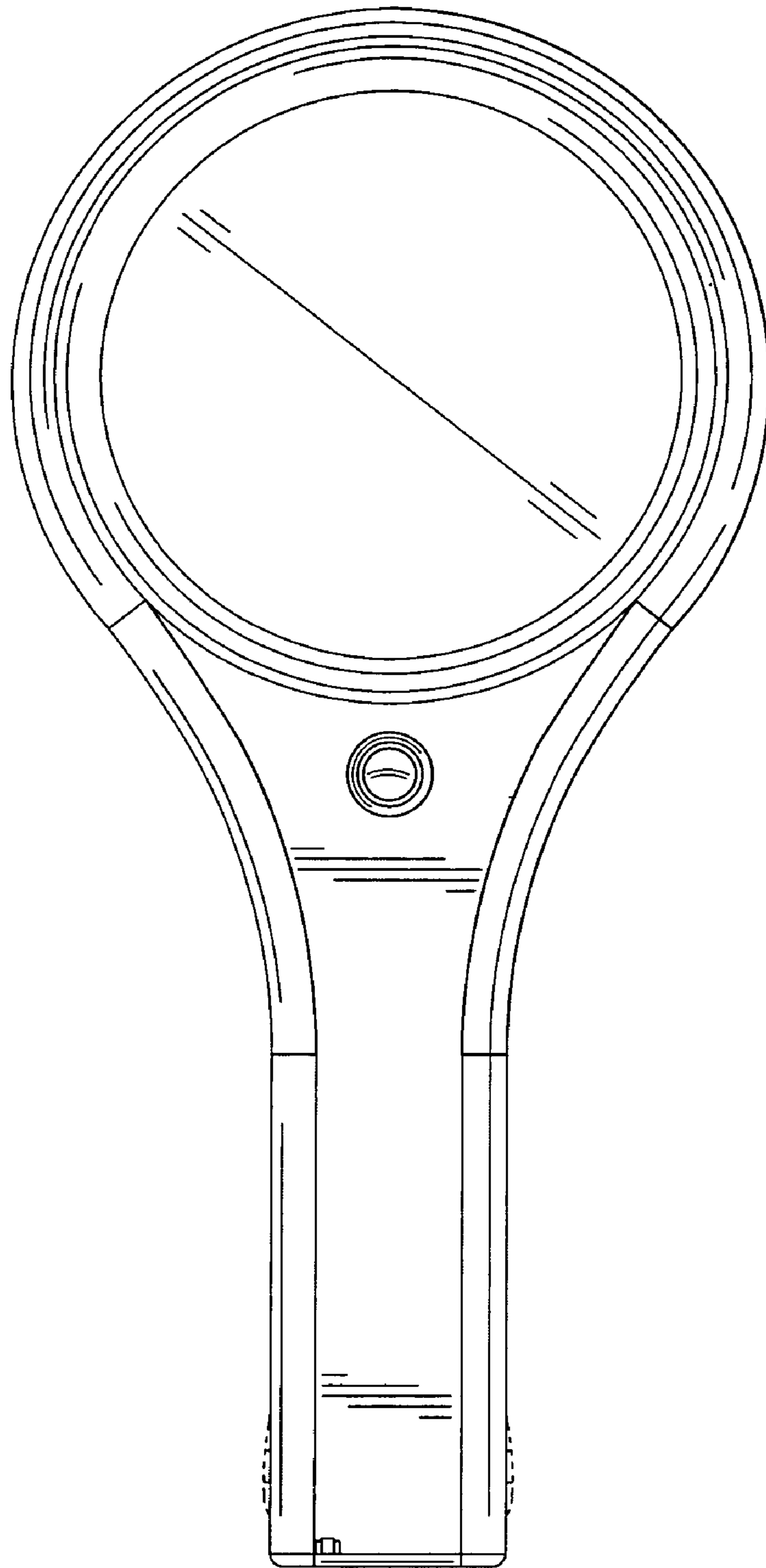


FIG. 3

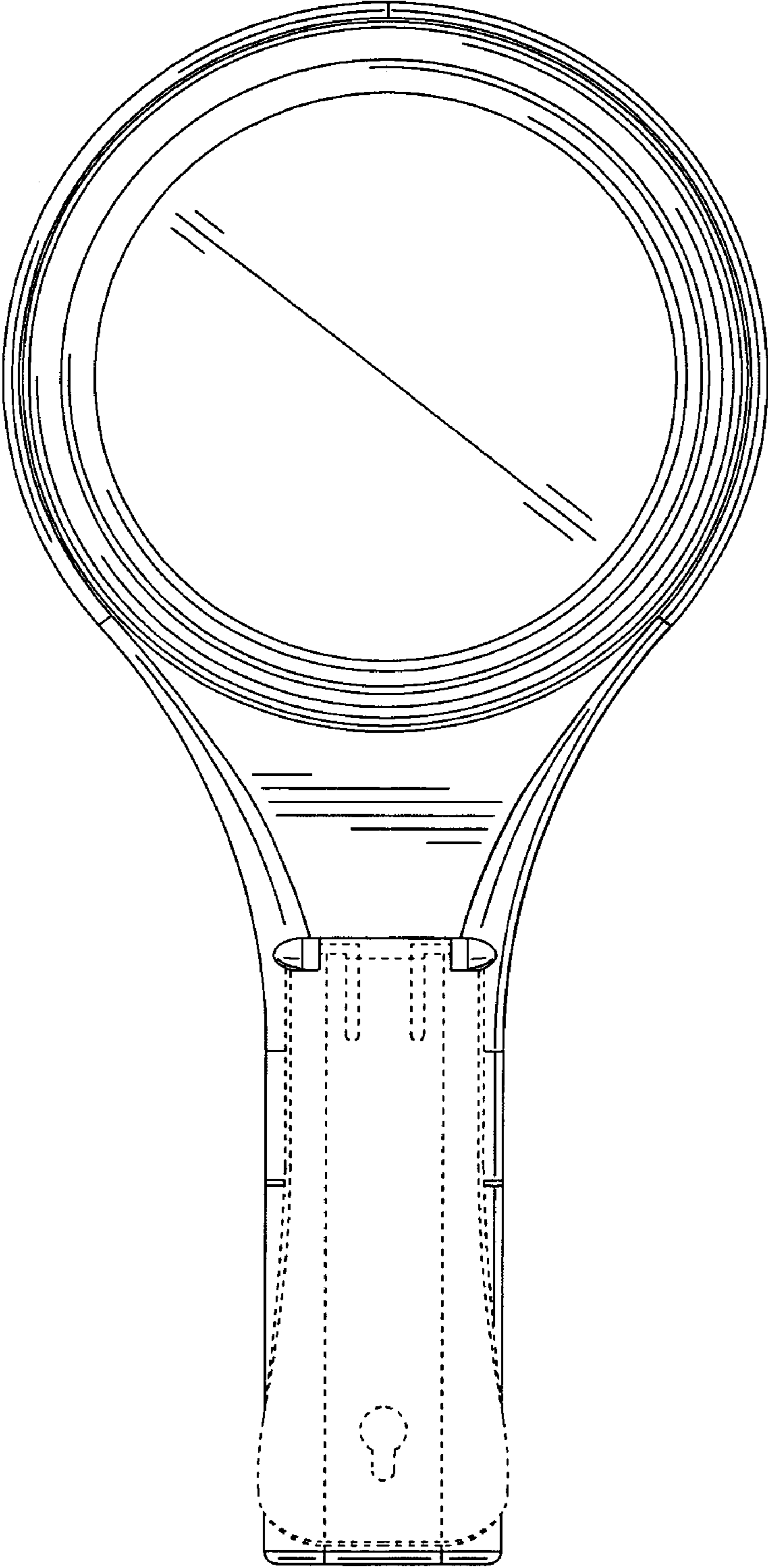


FIG. 4

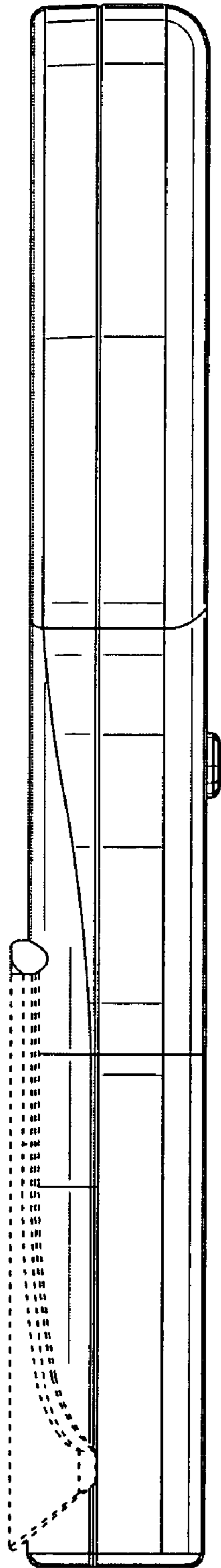


FIG. 5

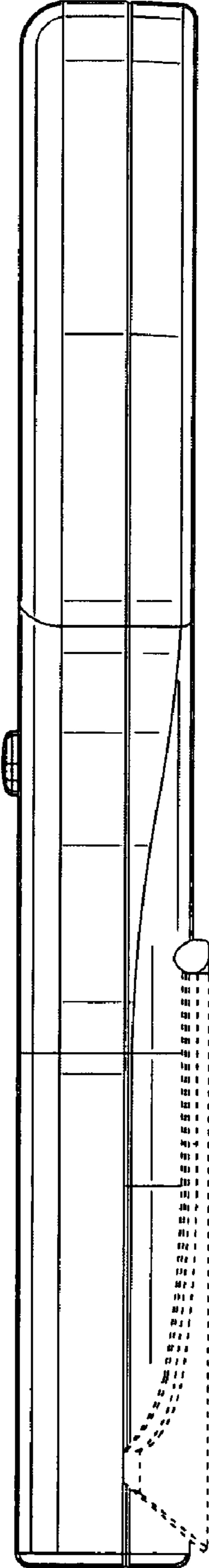


FIG. 6

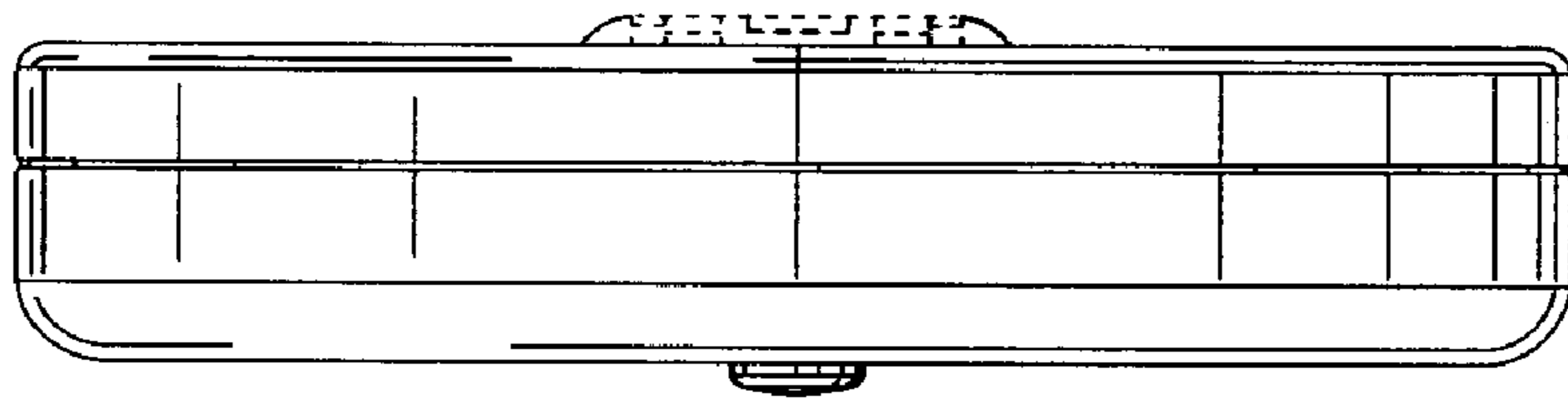


FIG. 7

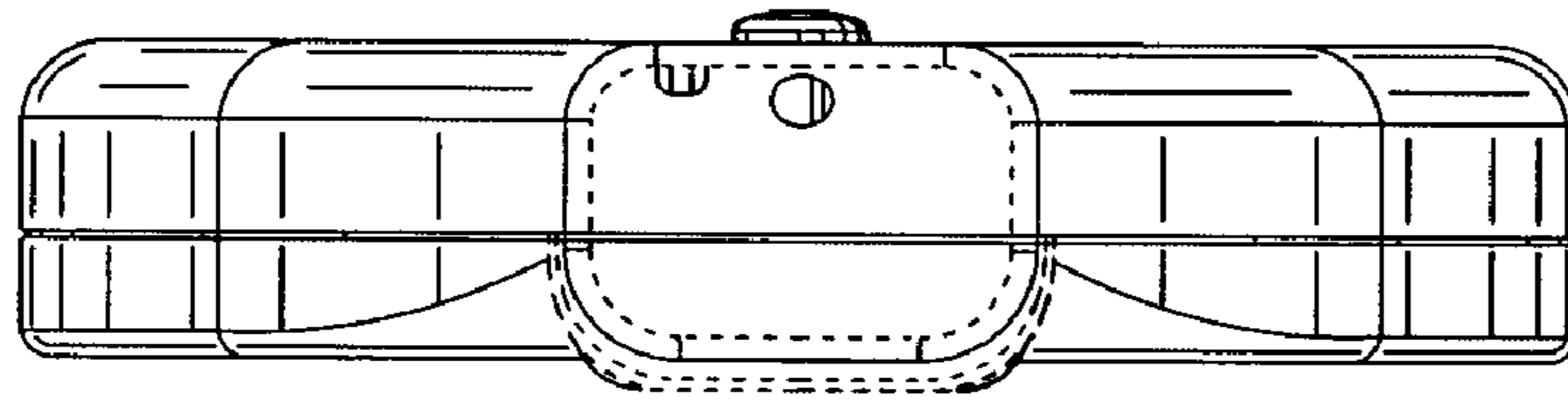


FIG. 8

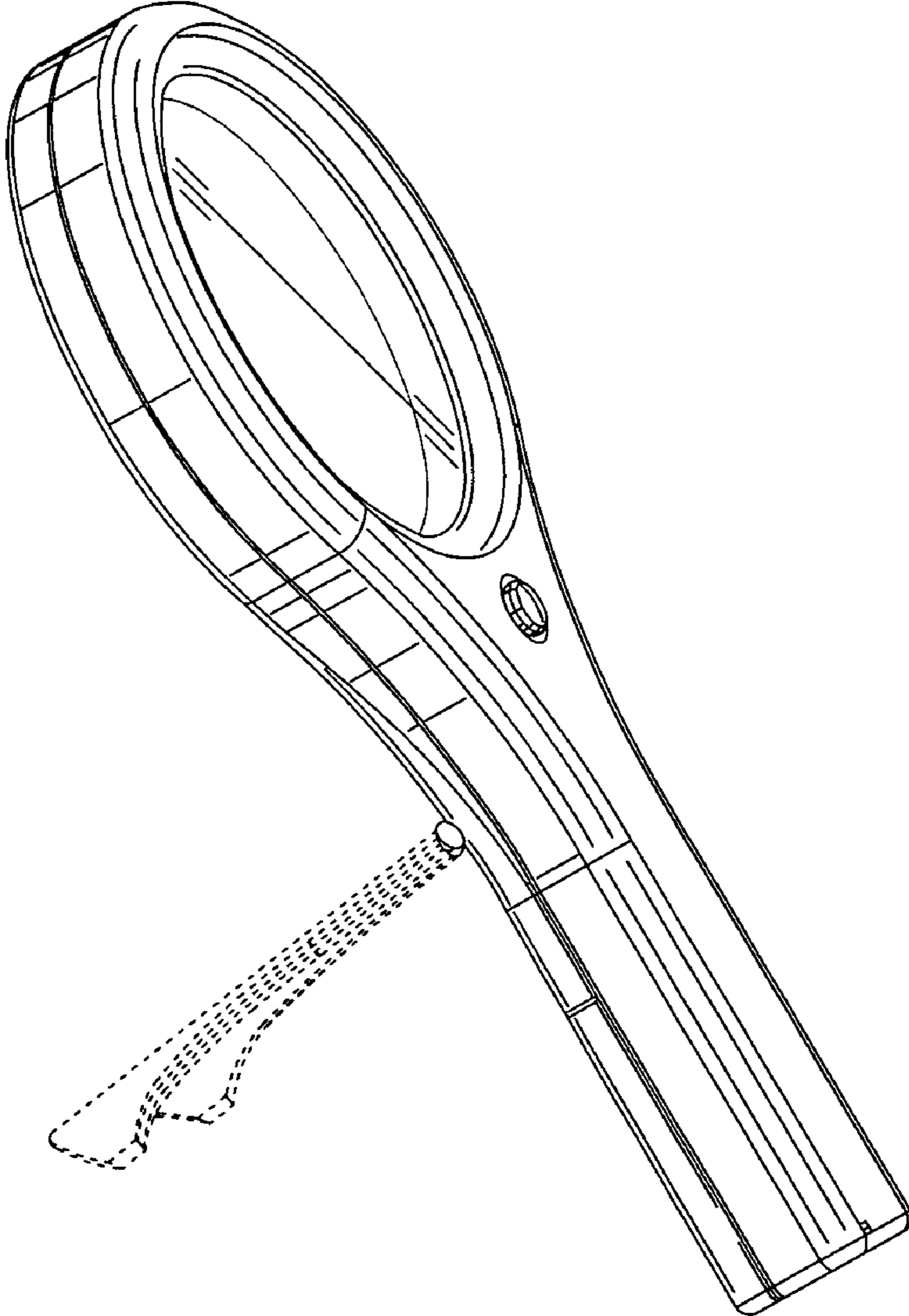


FIG. 9

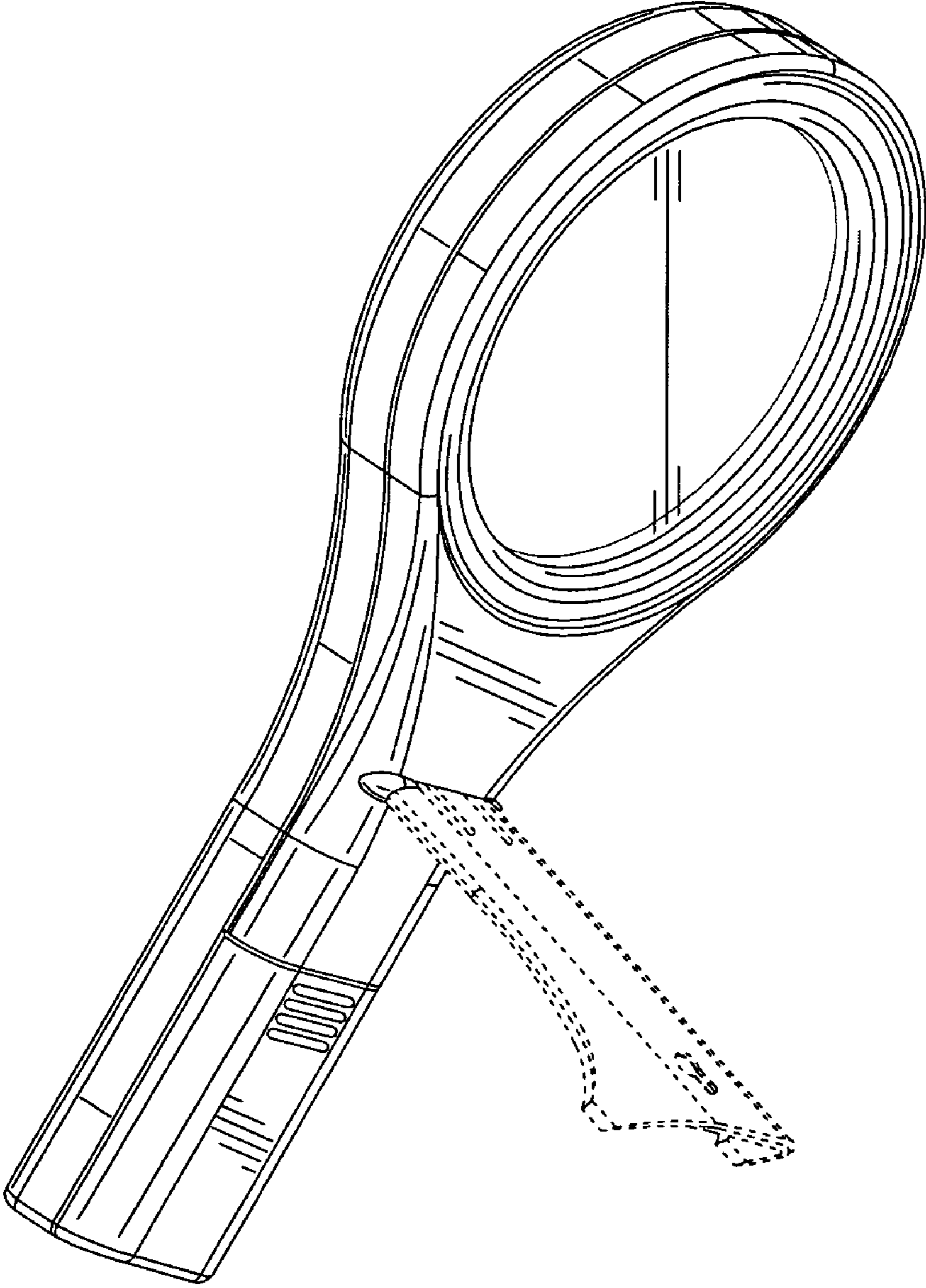


FIG. 10