



US00D602966S

(12) **United States Design Patent**
Kiple et al.

(10) **Patent No.:** **US D602,966 S**

(45) **Date of Patent:** **** *Oct. 27, 2009**

(54) **LAMINATOR**

(76) Inventors: **Jean Ellen Kiple**, 146 White Pine La., Lake Villa, IL (US) 60046; **Angus Davidson**, 29 Lakesfield, Englefield Green, Surrey (GB); **Christopher Mark Parratt**, Oxon (GB); **Jennifer Parratt**, legal representative, Spring Cottage 2 High Street, Drayton St. Leonard, Oxon (GB) OX 107BA; **Jimmy-Quang Viet Doan**, 1800 W. Roscoe, #501, Chicago, IL (US) 60657; **Terry Gander**, 12 Orion, Bracknell, Berks RG12 7YX (GB); **James Henderson**, 13 Regina Close, Lower Wick, Worcester WR5 2PQ (GB)

(**) Term: **14 Years**

(21) Appl. No.: **29/276,971**

(22) Filed: **Feb. 9, 2007**

(51) **LOC (9) Cl.** **15-99**

(52) **U.S. Cl.** **D15/146**

(58) **Field of Classification Search** D15/145, D15/146; D18/50, 51, 53; 100/155 R, 160, 100/176; 156/555, 560, 582, 583.1
See application file for complete search history.

(56) **References Cited**

U.S. PATENT DOCUMENTS

D233,066 S * 10/1974 Bair D15/146
D244,759 S * 6/1977 Kindred D15/146
D366,053 S * 1/1996 Neumann et al. D15/145
6,315,020 B1 * 11/2001 Seki 156/351

D453,171 S * 1/2002 Cheng D15/146
6,840,298 B2 * 1/2005 Lemens et al. 156/522
D501,859 S * 2/2005 Presta D15/146
D506,214 S * 6/2005 Zepter D15/146
D515,601 S * 2/2006 Sholzberg et al. D15/146
6,994,142 B2 * 2/2006 Murphy et al. 156/359
D534,192 S * 12/2006 Kiple et al. D15/145
D536,355 S * 2/2007 Levsen et al. D15/146
D544,508 S * 6/2007 Beno et al. D15/146
D553,185 S * 10/2007 Hattori D18/50
D558,263 S * 12/2007 Yamaguchi D18/50
2004/0250958 A1 * 12/2004 Cheng 156/555
2006/0151120 A1 * 7/2006 Matlin et al. 156/583.1

* cited by examiner

Primary Examiner—Sandra Snapp

Assistant Examiner—Patricia Palasik

(74) *Attorney, Agent, or Firm*—Wood, Phillips, Katz, Clark & Mortimer

(57) **CLAIM**

The ornamental design for a laminator, as shown and described.

DESCRIPTION

FIG. 1 is a perspective view of the laminator.

FIG. 2 is a rear elevational view of the laminator.

FIG. 3 is a top view of the laminator.

FIG. 4 is a side view of the laminator.

FIG. 5 is a second side view of the laminator; and,

FIG. 6 is a front elevational view of the laminator.

The broken lines in the drawings depict unclaimed environmental subject matter.

1 Claim, 3 Drawing Sheets

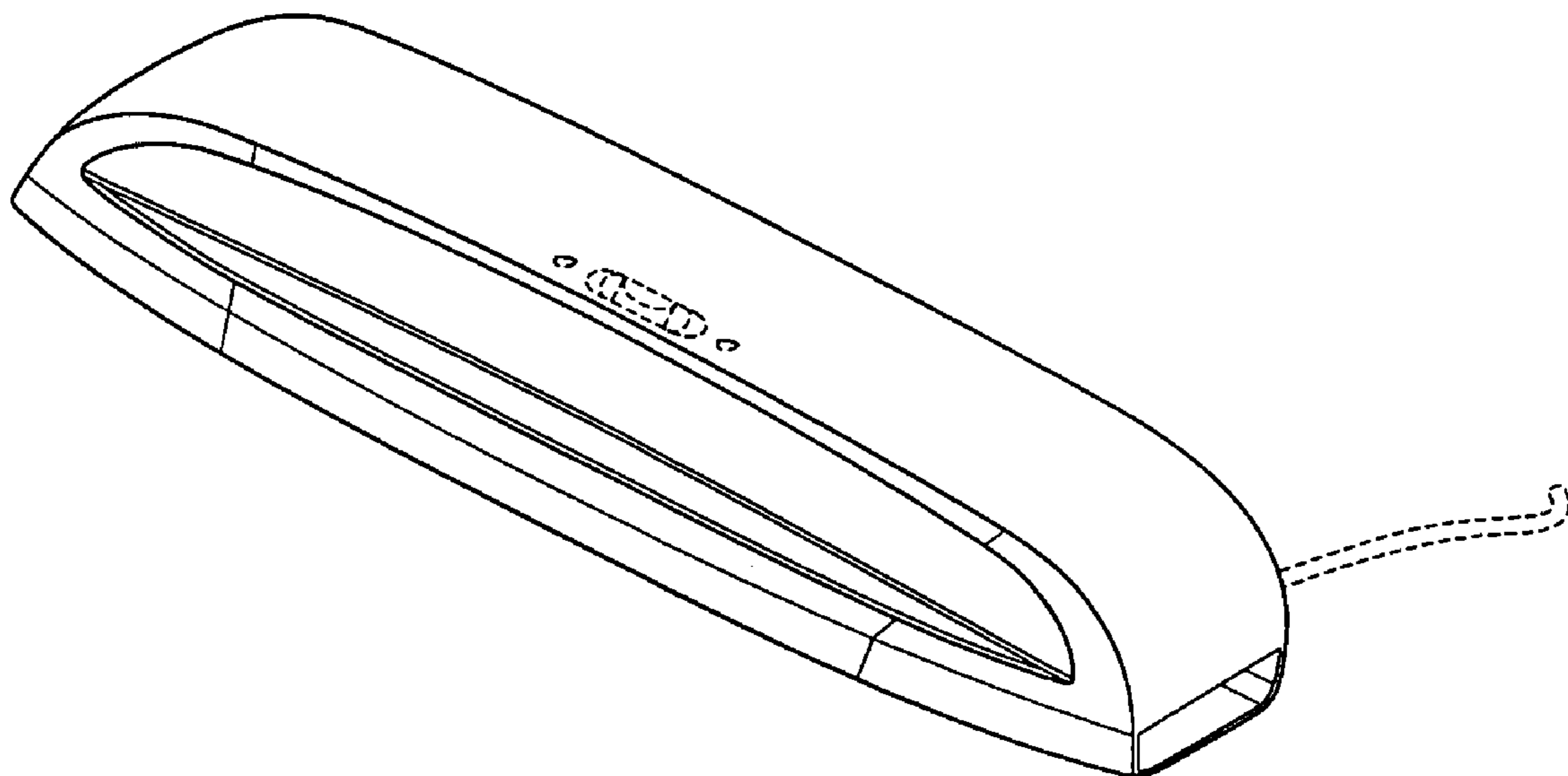


Fig. 1

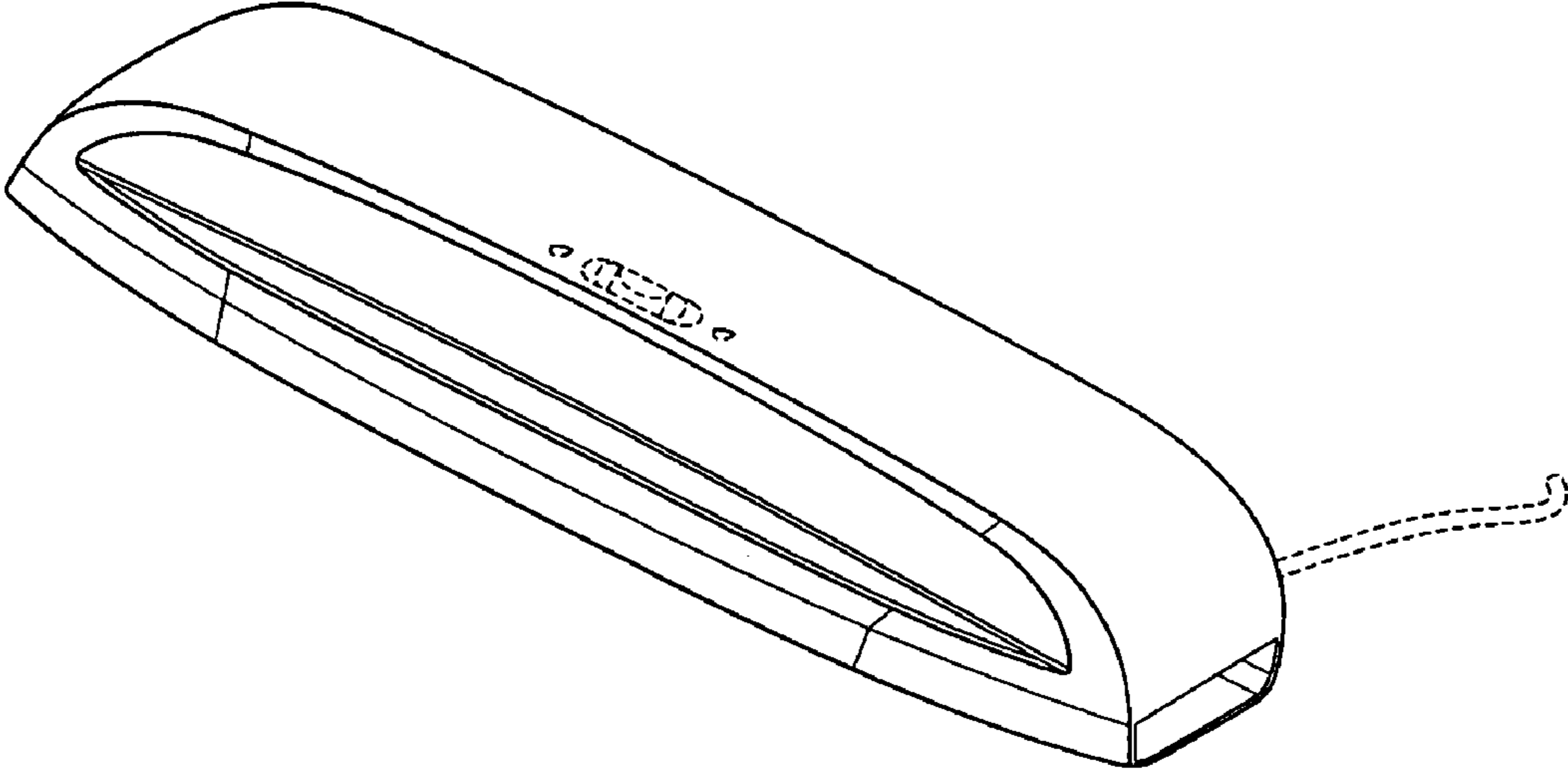


Fig. 2

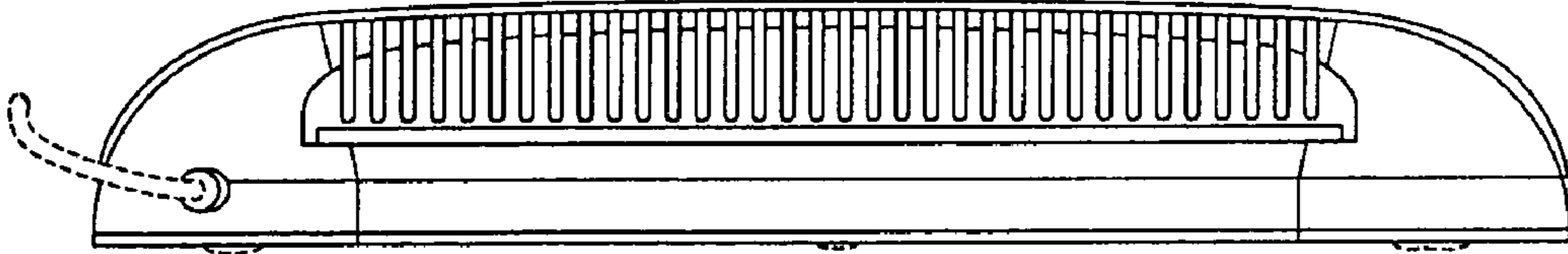


Fig. 3

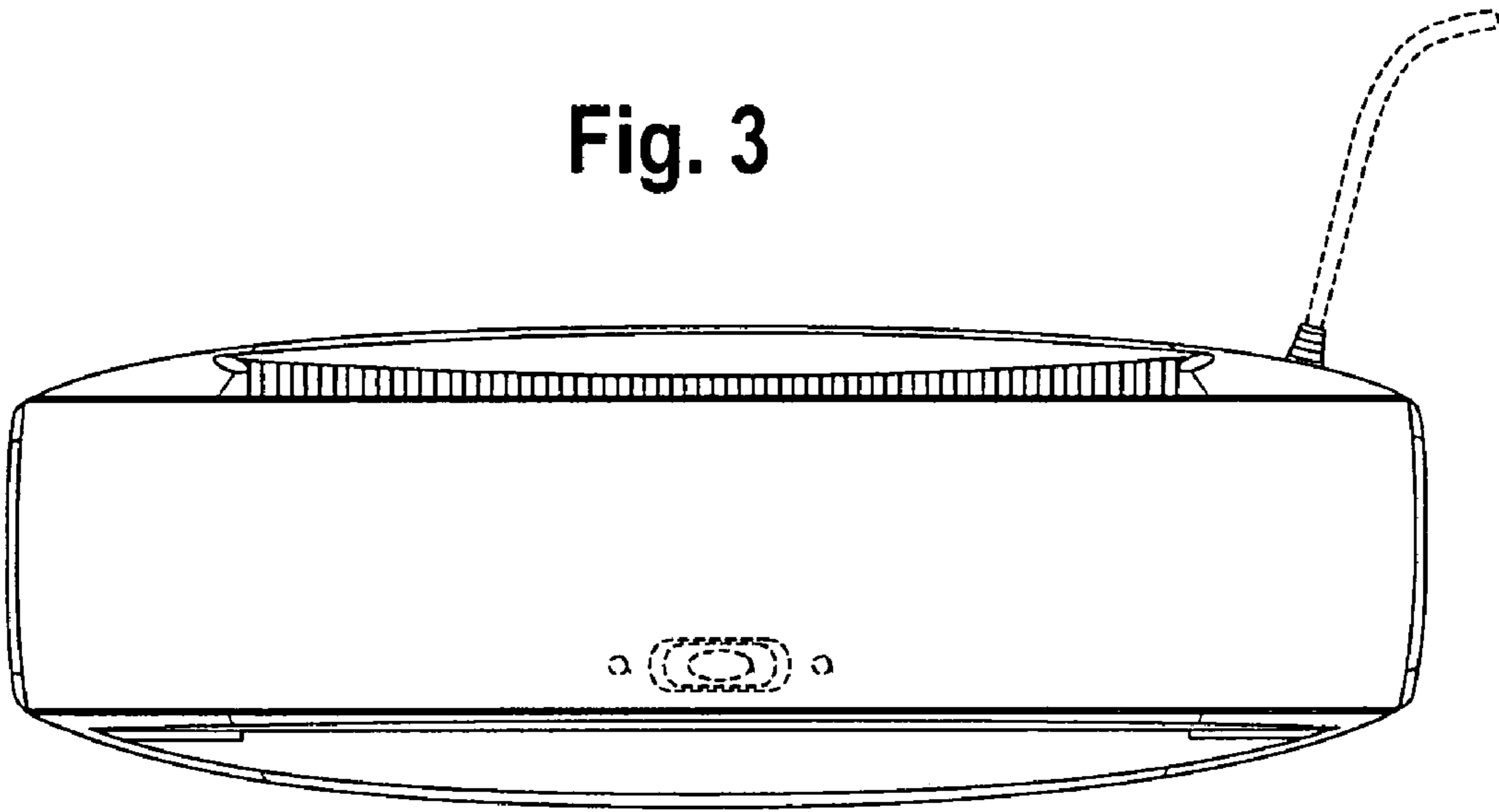


Fig. 4

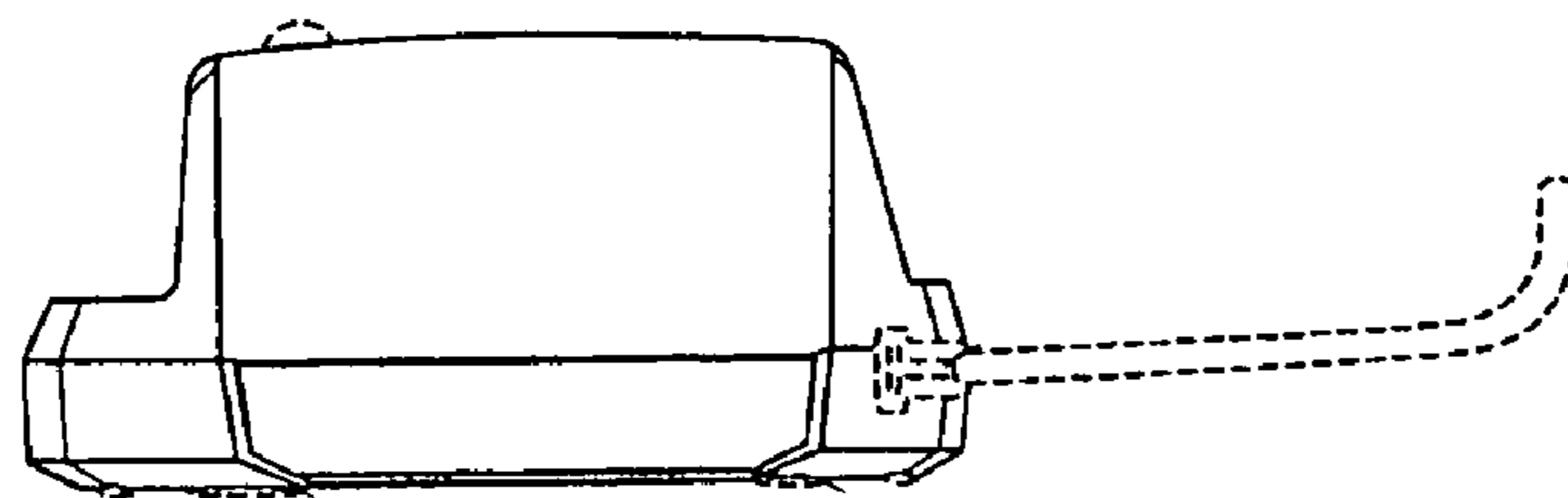


Fig. 5

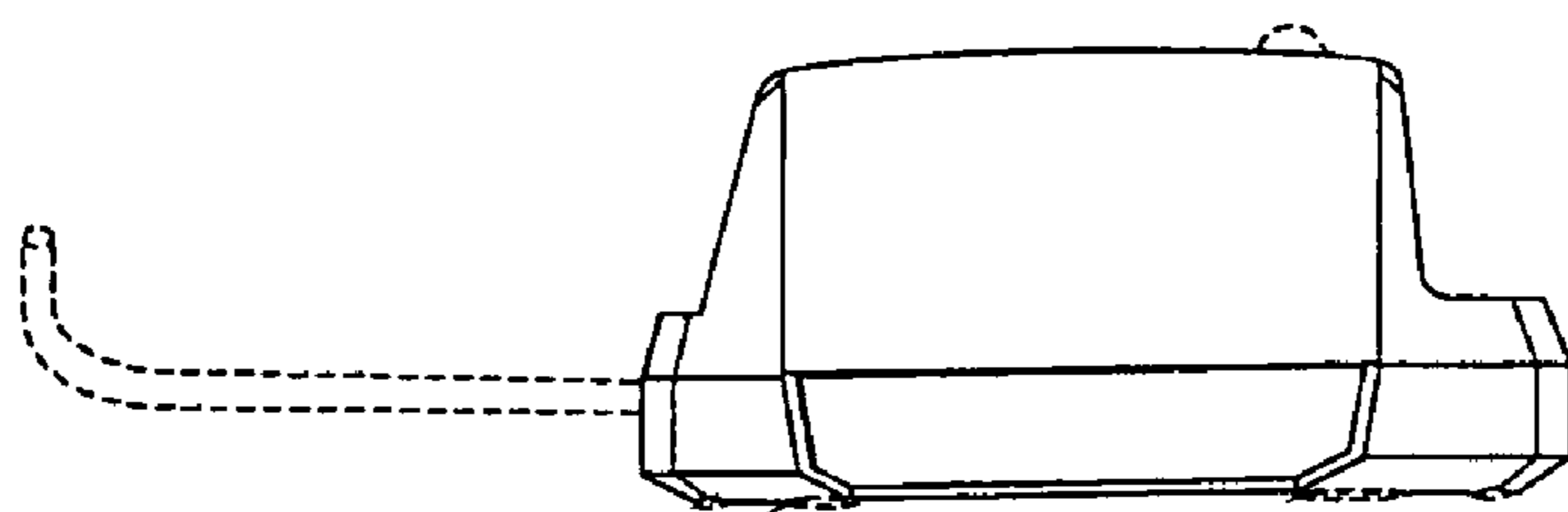


Fig. 6

