



US00D602963S

(12) **United States Design Patent**
Park

(10) **Patent No.:** **US D602,963 S**

(45) **Date of Patent:** **** Oct. 27, 2009**

(54) **GRINDING TIP FOR GRINDER**

(76) **Inventor:** **Rin-Soon Park**, Yongsang APT. 1-401
150-3 Wonjong-dong, Ojeong-gu,
Bucheon-si, Gyeonggi-do, 421-200 (KR)

(**) **Term:** **14 Years**

(21) **Appl. No.:** **29/300,987**

(22) **Filed:** **Jun. 6, 2008**

(30) **Foreign Application Priority Data**

Dec. 7, 2007 (KR) 30-2007-0050854

(51) **LOC (9) Cl.** **15-09**

(52) **U.S. Cl.** **D15/126**

(58) **Field of Classification Search** D8/70,
D8/71, 90, 98; D15/124, 126, 138; D21/488,
D21/499, 500, 503, 504; D25/103, 113-118;
83/589, 676, 863; 407/35, 42, 112-119;
451/548-551

See application file for complete search history.

(56) **References Cited**

U.S. PATENT DOCUMENTS

3,628,292 A * 12/1971 Rue 451/541
3,711,999 A * 1/1973 Held 451/541
D508,060 S * 8/2005 Olsen et al. D15/126

D548,757 S * 8/2007 Ruan D15/126
D549,746 S * 8/2007 Popov D15/126
D563,186 S * 3/2008 Ahn D8/70
D587,288 S * 2/2009 Popov D15/126

* cited by examiner

Primary Examiner—Sandra Snapp

Assistant Examiner—Patricia Palasik

(74) *Attorney, Agent, or Firm*—The Nath Law Group; Jerald
L. Meyer; Jiaxiao Zhang

(57) **CLAIM**

The ornamental design for a grinding tip for grinder, as shown
and described.

DESCRIPTION

FIG. 1 is a bottom view of the grinding tip for grinder;

FIG. 2 is a front view of the grinding tip for grinder;

FIG. 3 is a top view of the grinding tip for grinder;

FIG. 4 is a left side view of the grinding tip for grinder;

FIG. 5 is a perspective view of the grinding tip for grinder;

FIG. 6 is a rear view of the grinding tip for grinder; and,

FIG. 7 is a right side view of the grinding tip for grinder.

The broken lines in the drawings depict unclaimed environ-
mental subject matter.

1 Claim, 8 Drawing Sheets

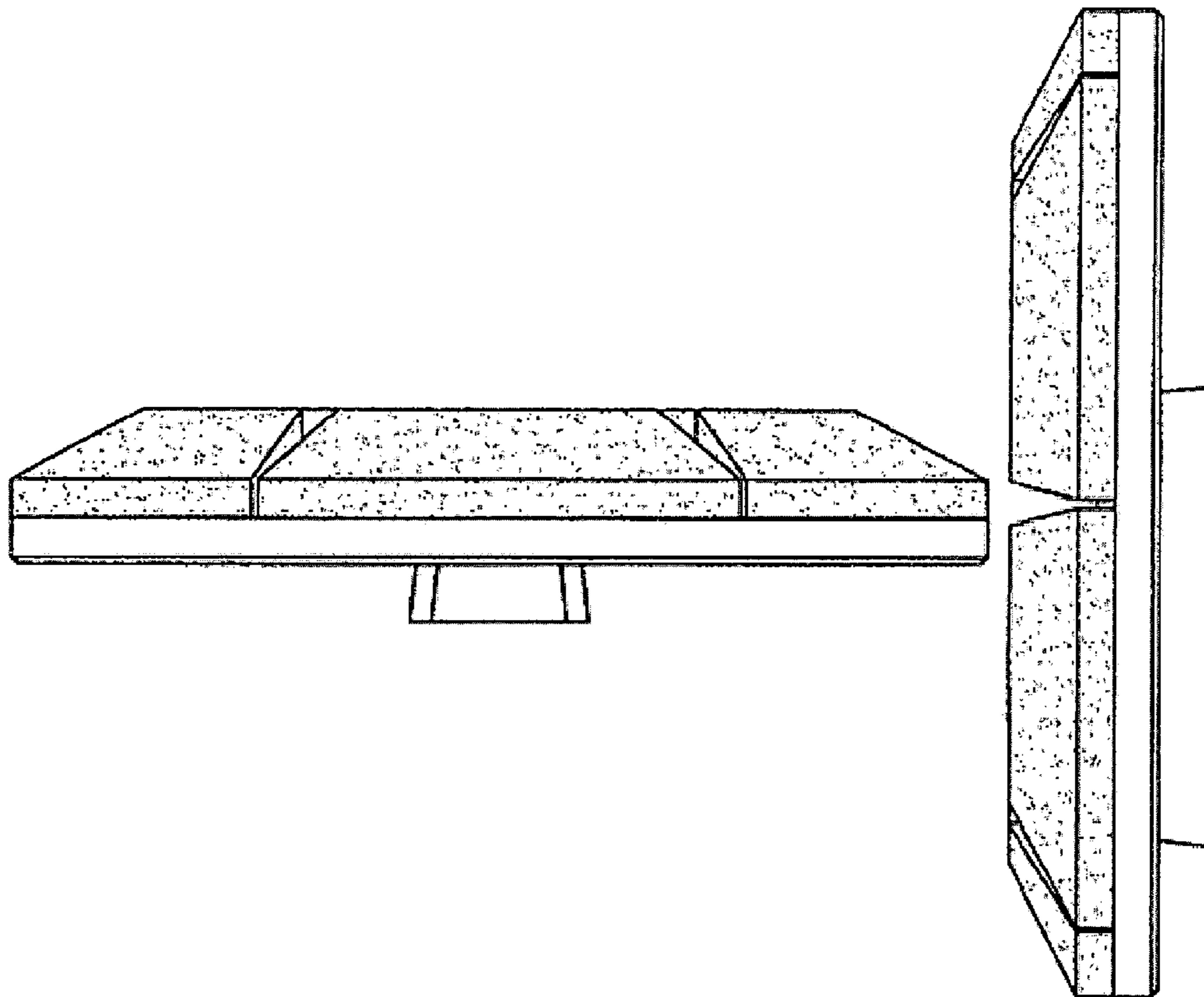




Fig. 1

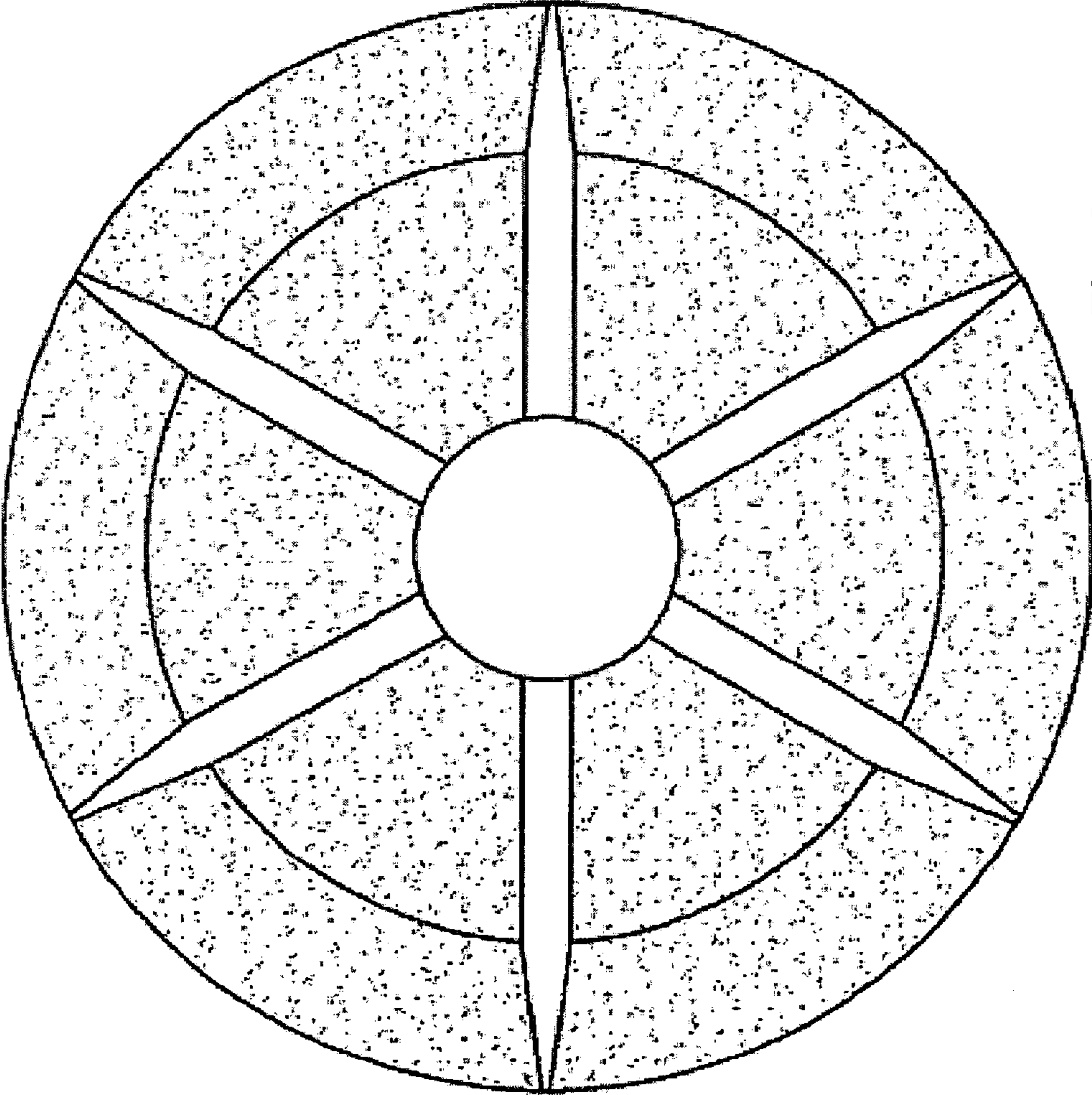


Fig. 2

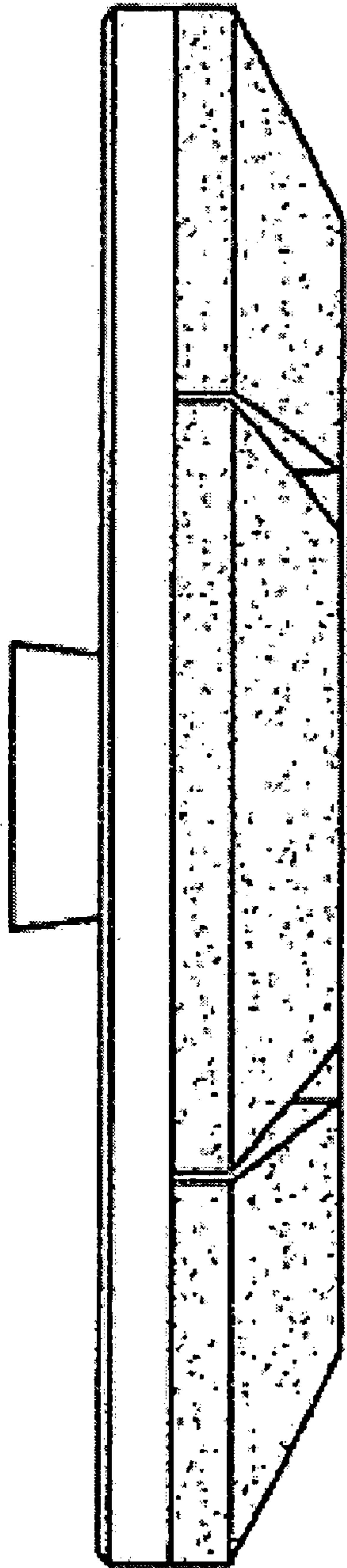


Fig. 3

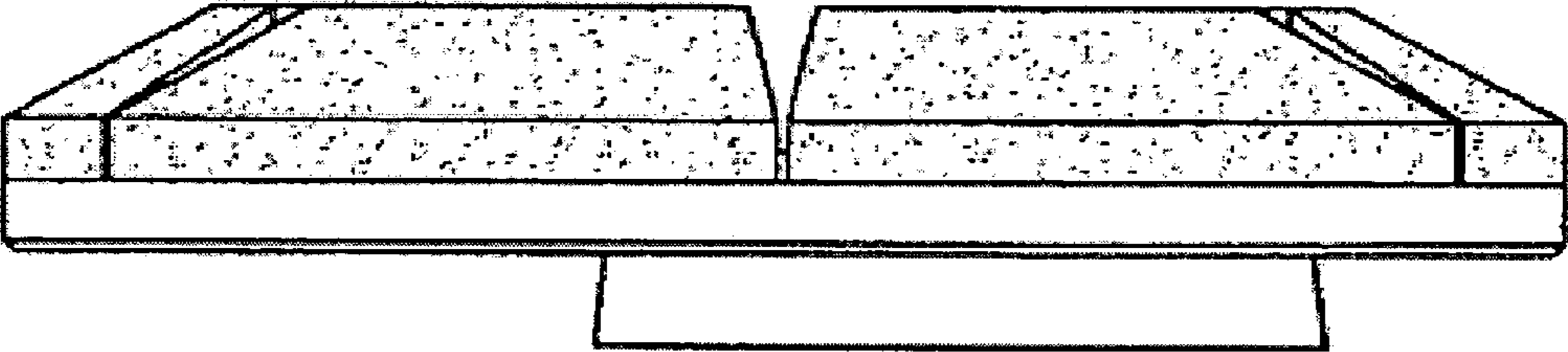


Fig. 4

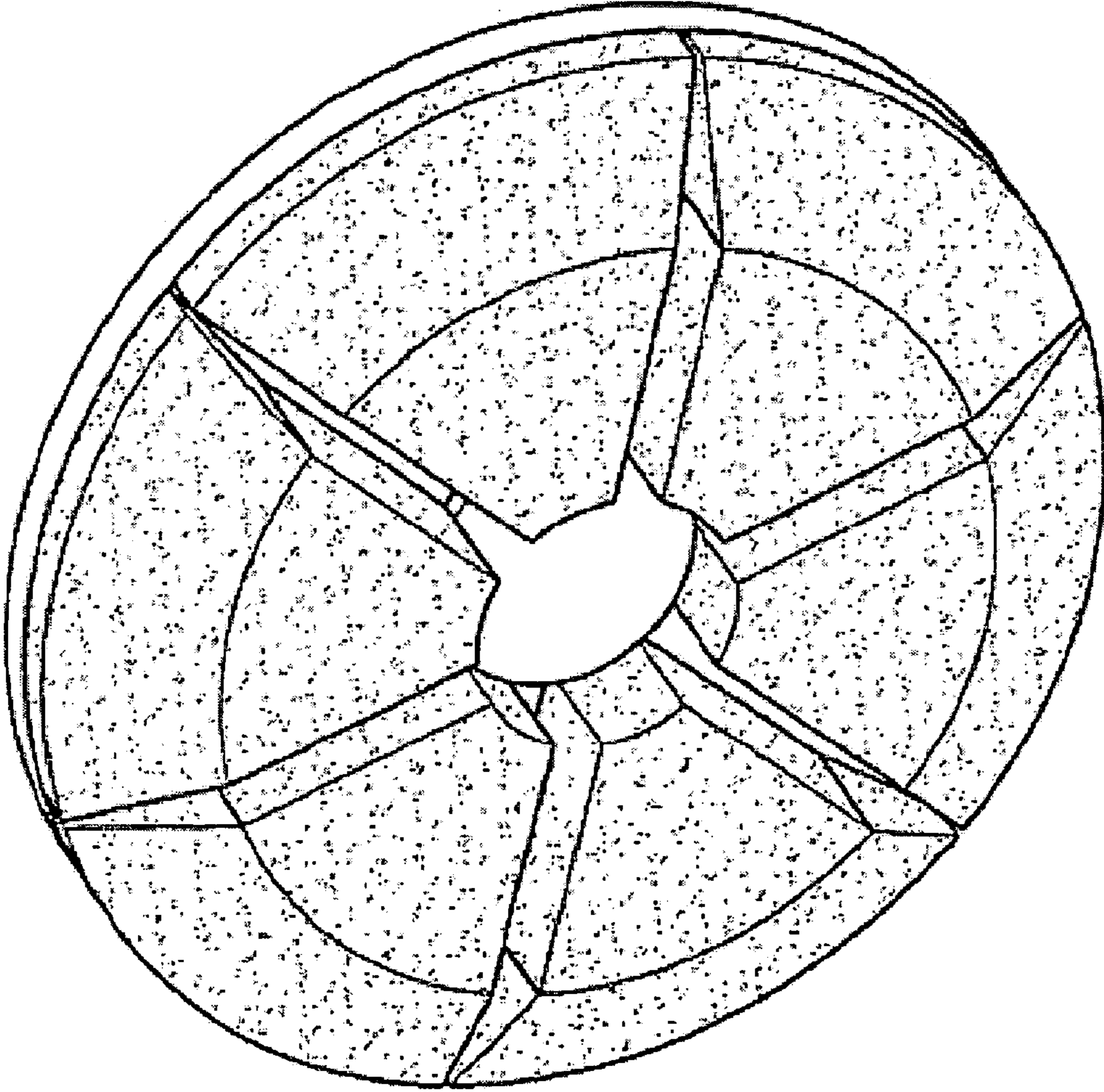


Fig. 5

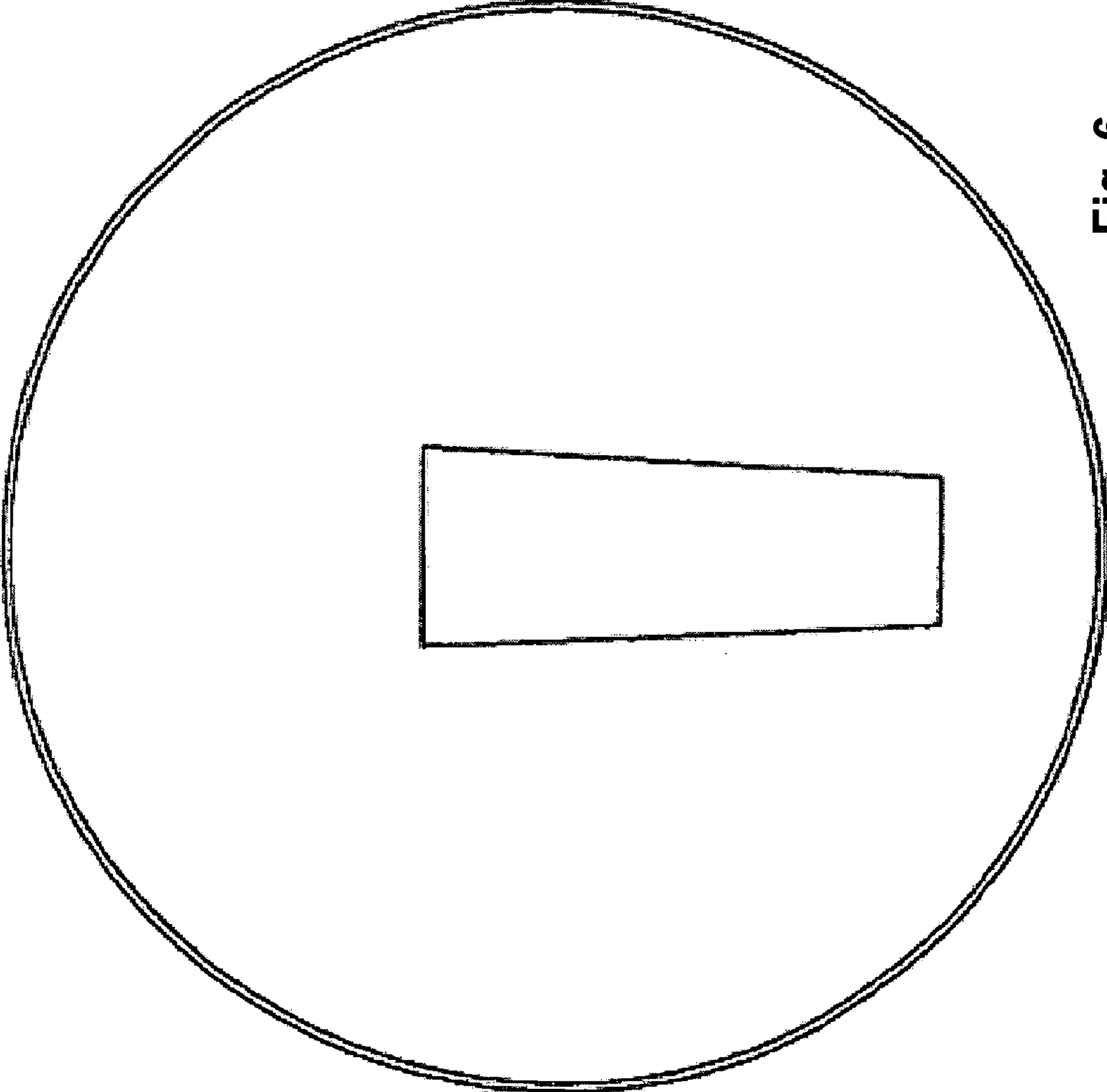


Fig. 6

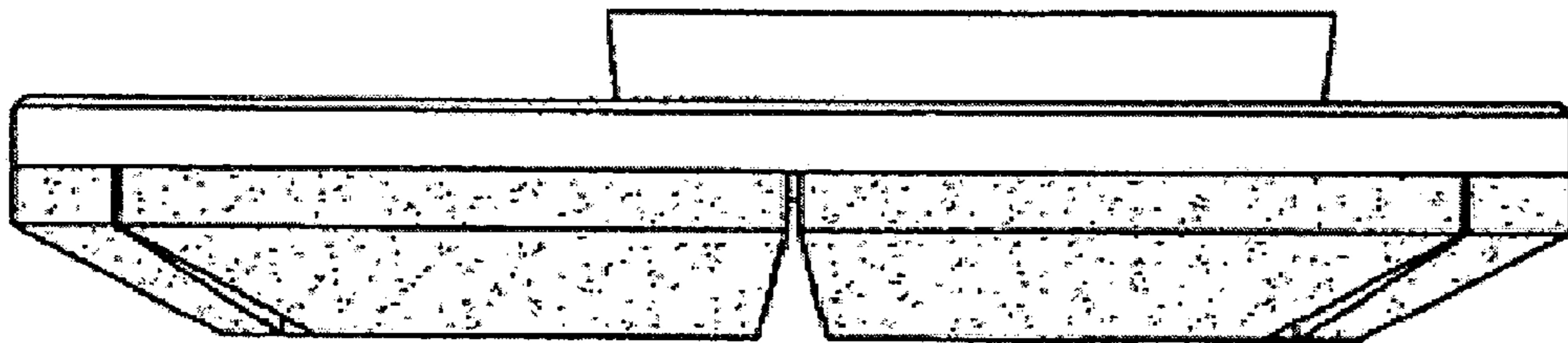


Fig. 7

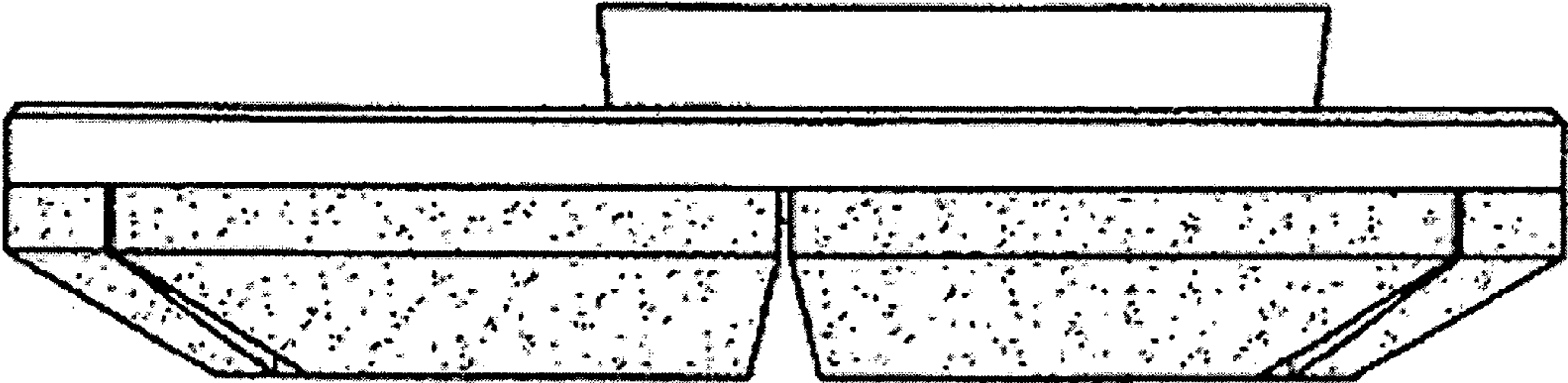


FIG. 8