



US00D602961S

(12) **United States Design Patent**
Chapple et al.

(10) **Patent No.:** **US D602,961 S**
(45) **Date of Patent:** **** Oct. 27, 2009**

(54) **RIDE-ON POWER TROWEL**

(75) Inventors: **Larry Jake Chapple**, Boise, ID (US);
Dane Davis, Boise, ID (US); **Brian Hammond**, Kuna, ID (US)

(73) Assignee: **Multiquip, Inc.**, Carson, CA (US)

(**) Term: **14 Years**

(21) Appl. No.: **29/331,674**

(22) Filed: **Jan. 29, 2009**

(51) **LOC (9) Cl.** **15-03**

(52) **U.S. Cl.** **D15/10**

(58) **Field of Classification Search** D15/10,
D15/17, 19, 22, 27, 28; 404/85, 96, 112
See application file for complete search history.

(56) **References Cited**

U.S. PATENT DOCUMENTS

4,046,484 A 9/1977 Holz, Sr. et al.

(Continued)

FOREIGN PATENT DOCUMENTS

EP 1 069 259 A2 1/2001

EP 1 069 260 A2 1/2001

Primary Examiner—Ian Simmons

Assistant Examiner—Mark A Goodwin

(74) *Attorney, Agent, or Firm*—Elizabeth H. Schlerman;
Dykas, Shaver & Nipper, LLP

(57) **CLAIM**

The ornamental design for a ride-on power trowel, as shown and described.

DESCRIPTION

FIG. 1 is a front elevation view of the ride-on power trowel showing our new design;

FIG. 2 is a right side view thereof;

FIG. 3 is a back elevation view thereof;

FIG. 4 is a top plan view thereof;

FIG. 5 is a left side view thereof;

FIG. 6 is a bottom plan view thereof;

FIG. 7 is a top, front, right side isometric view thereof;

FIG. 8 is a top, front, right side isometric view of the nose piece portion of the ride-on power trowel shown removed for ease of illustration;

FIG. 9 is a top front view thereof;

FIG. 10 is a right side view thereof;

FIG. 11 is a back view thereof;

FIG. 12 is a top plan view thereof;

FIG. 13 is a left side view thereof;

FIG. 14 is a bottom plan view thereof;

FIG. 15 is a bottom, front, right side isometric view thereof;

FIG. 16 is a right side view of one of the side gratings portion of the ride-on power trowel shown removed for ease of illustration;

FIG. 17 is a front, right side isometric view thereof;

FIG. 18 is a top, front, right side isometric view of the frame member portion of the ride-on power trowel shown removed for ease of illustration;

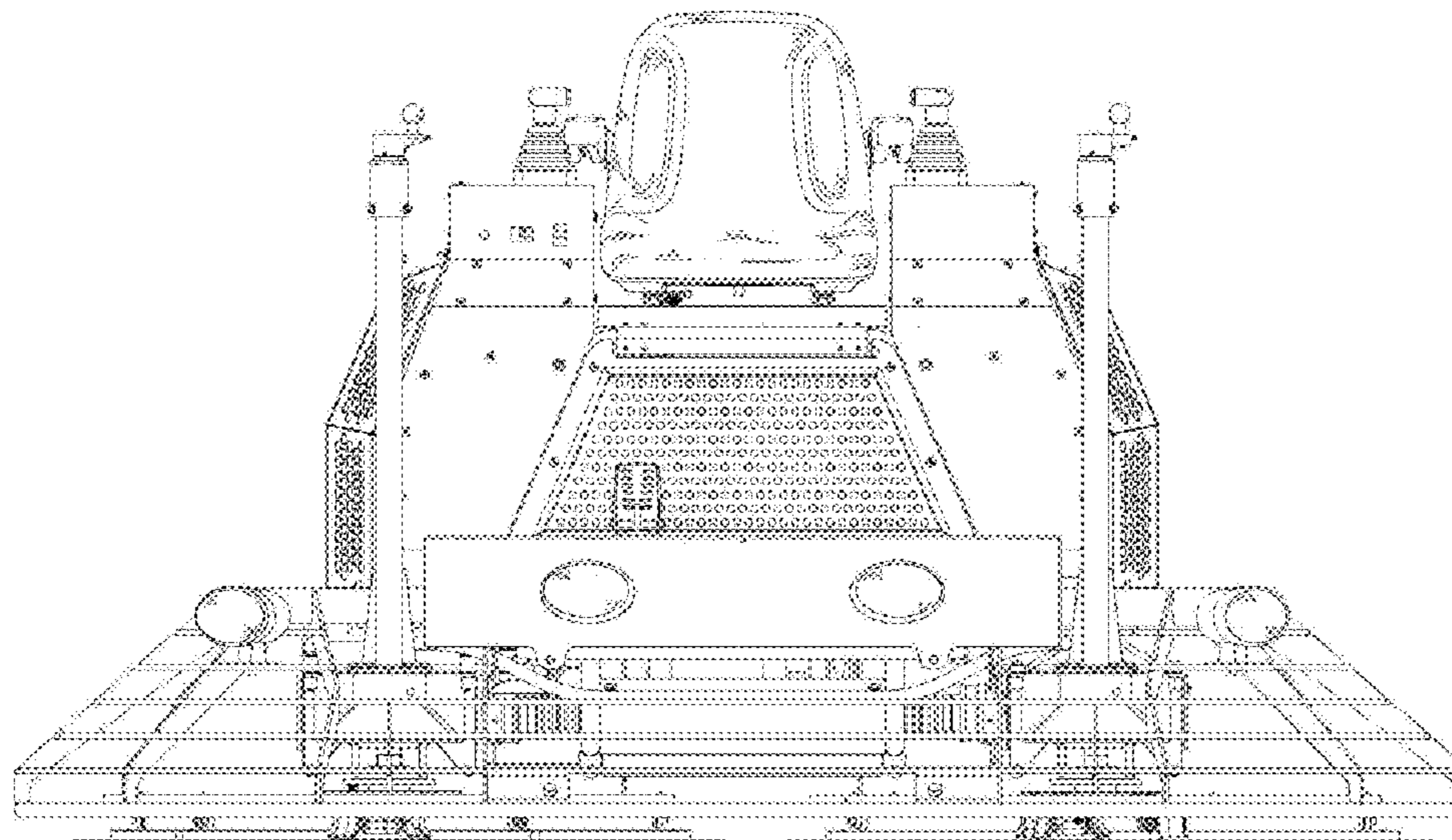
FIG. 19 is a back, bottom, left side isometric view of the fuel tank portion of the ride-on power trowel shown removed for ease of illustration;

FIG. 20 is a top, front, right side isometric view thereof;

FIG. 21 is a front elevation view of the ride-on power trowel shown in open condition; and,

FIG. 22 is a top back, right side isometric view thereof.

1 Claim, 22 Drawing Sheets



US D602,961 S

Page 2

U.S. PATENT DOCUMENTS					
D323,510	S	1/1992 Allen et al.	5,934,823	A	8/1999 Allen
5,108,220	A	4/1992 Allen et al.	5,967,696	A	10/1999 Allen et al.
5,238,323	A	8/1993 Allen et al.	D416,564	S *	11/1999 Allen et al. D15/28
D344,736	S	3/1994 Allen et al.	5,988,938	A	11/1999 Allen
5,480,257	A	1/1996 Allen	6,019,545	A *	2/2000 Allen et al. 404/112
5,480,258	A	1/1996 Allen	6,053,660	A	4/2000 Allen et al.
5,613,801	A	3/1997 Allen	6,089,786	A	7/2000 Allen et al.
5,632,570	A *	5/1997 Balling 404/112	6,106,193	A	8/2000 Allen et al.
5,658,089	A *	8/1997 Allen 404/112	6,250,844	B1	6/2001 Sartler et al.
5,685,667	A	11/1997 Allen	D453,344	S	2/2002 Smith et al.
5,803,658	A	9/1998 Allen	6,368,016	B1 *	4/2002 Smith et al. 404/112
5,816,740	A	10/1998 Jaszowskiak	D466,909	S *	12/2002 Allen et al. D15/10
D400,542	S *	11/1998 Allen D15/10	D474,203	S *	5/2003 Allen et al. D15/10
D400,544	S *	11/1998 Allen D15/28	6,582,153	B1 *	6/2003 Allen et al. 404/112
D404,041	S *	1/1999 Allen D15/28	6,592,290	B2	7/2003 Jaszowskiak
5,890,833	A *	4/1999 Allen et al. 404/112	2007/0292207	A1 *	12/2007 Reed et al. 404/112
D413,127	S *	8/1999 Allen D15/28	2008/0019774	A1 *	1/2008 Stenzel 404/112
			2009/0028642	A1 *	1/2009 Berritta 404/112

* cited by examiner

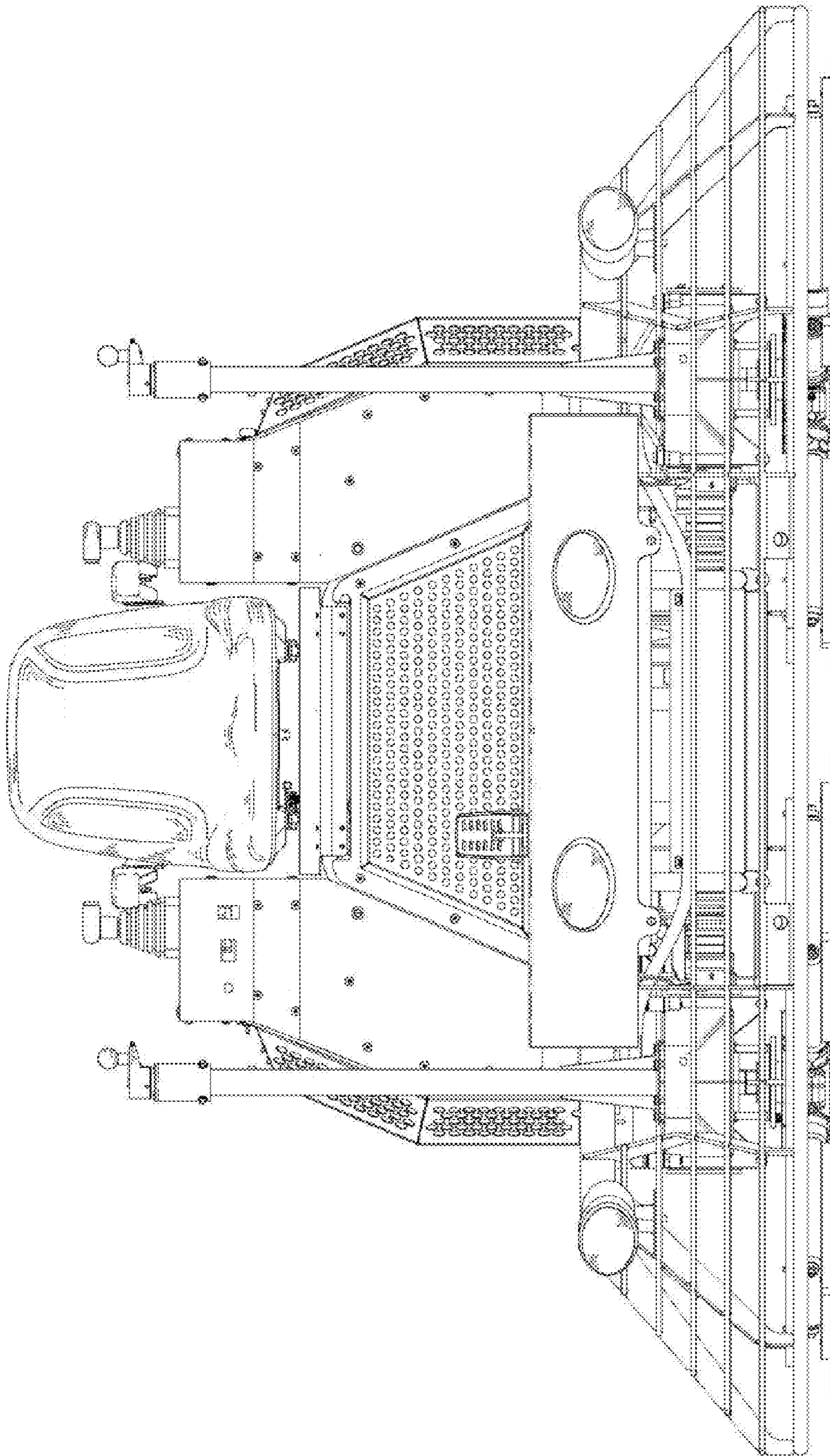


Fig. 1

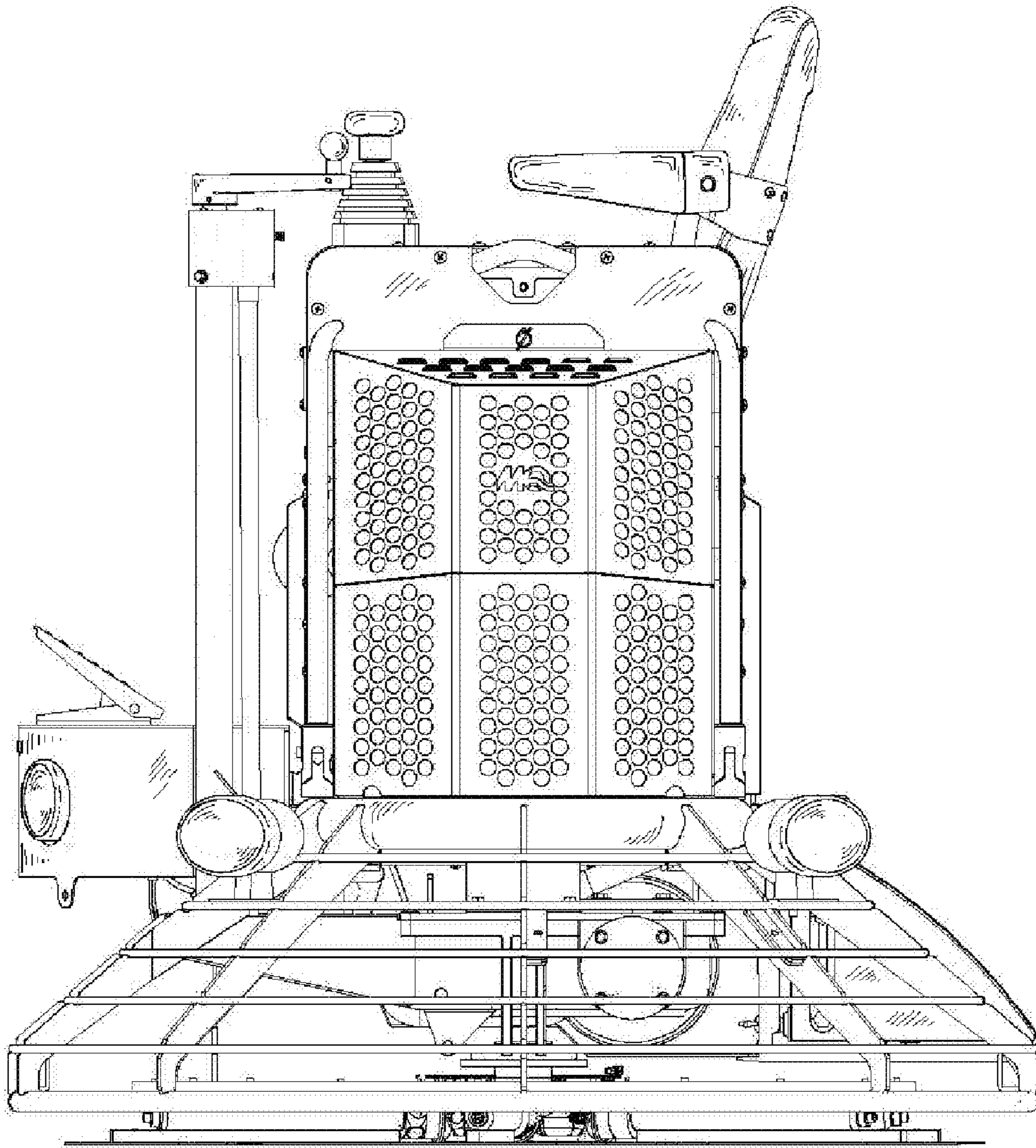


Fig. 2

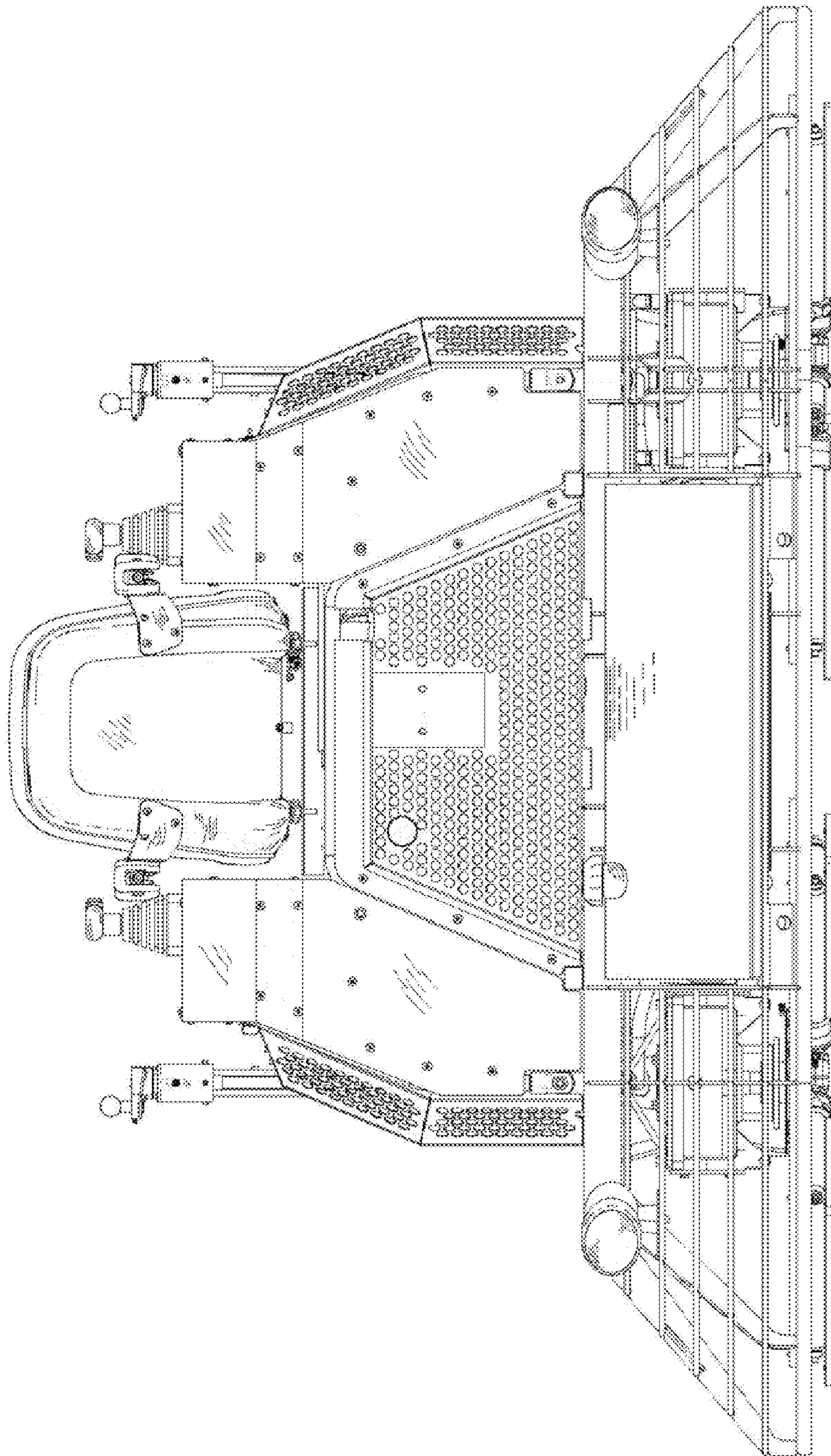


Fig. 3

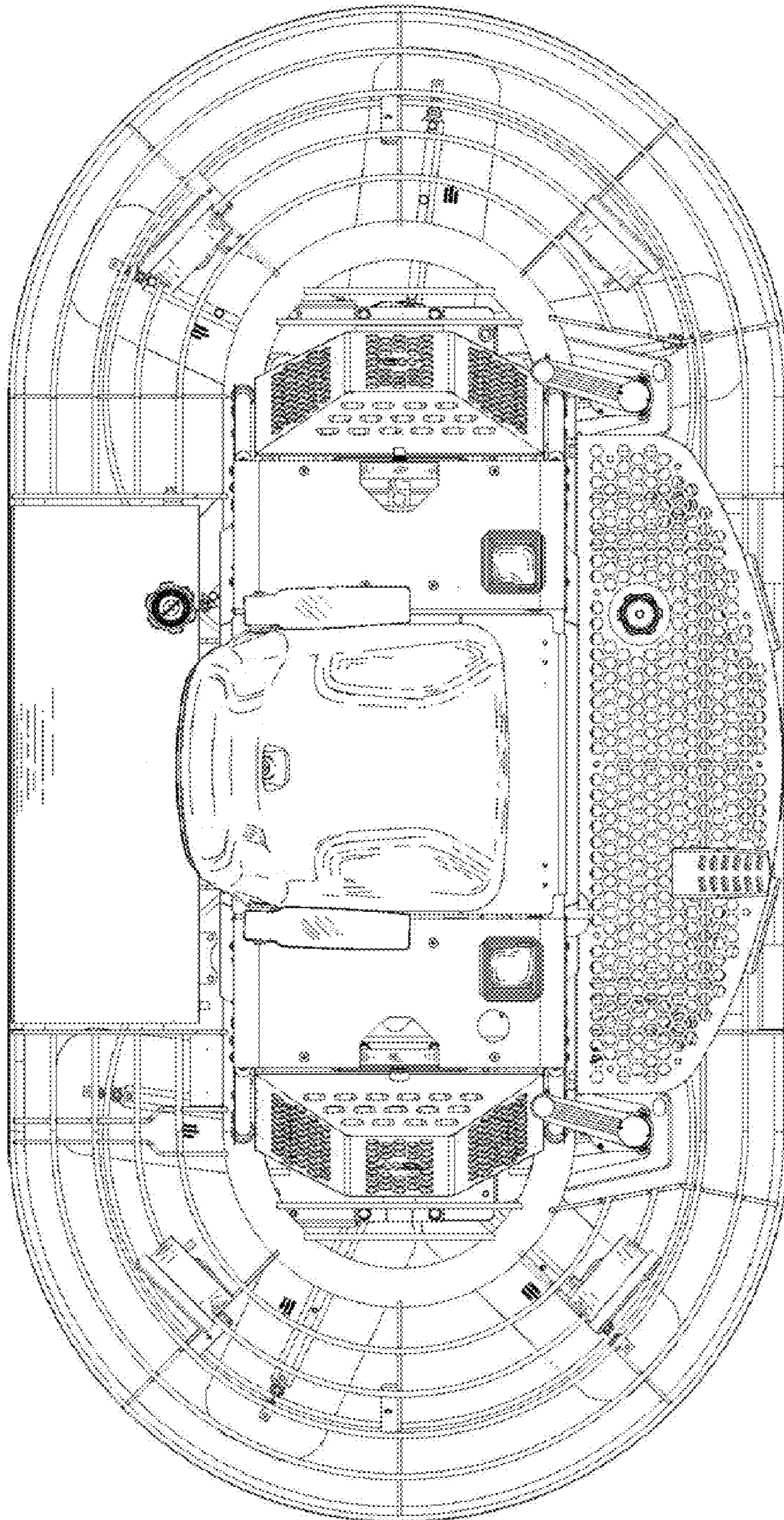


Fig. 4

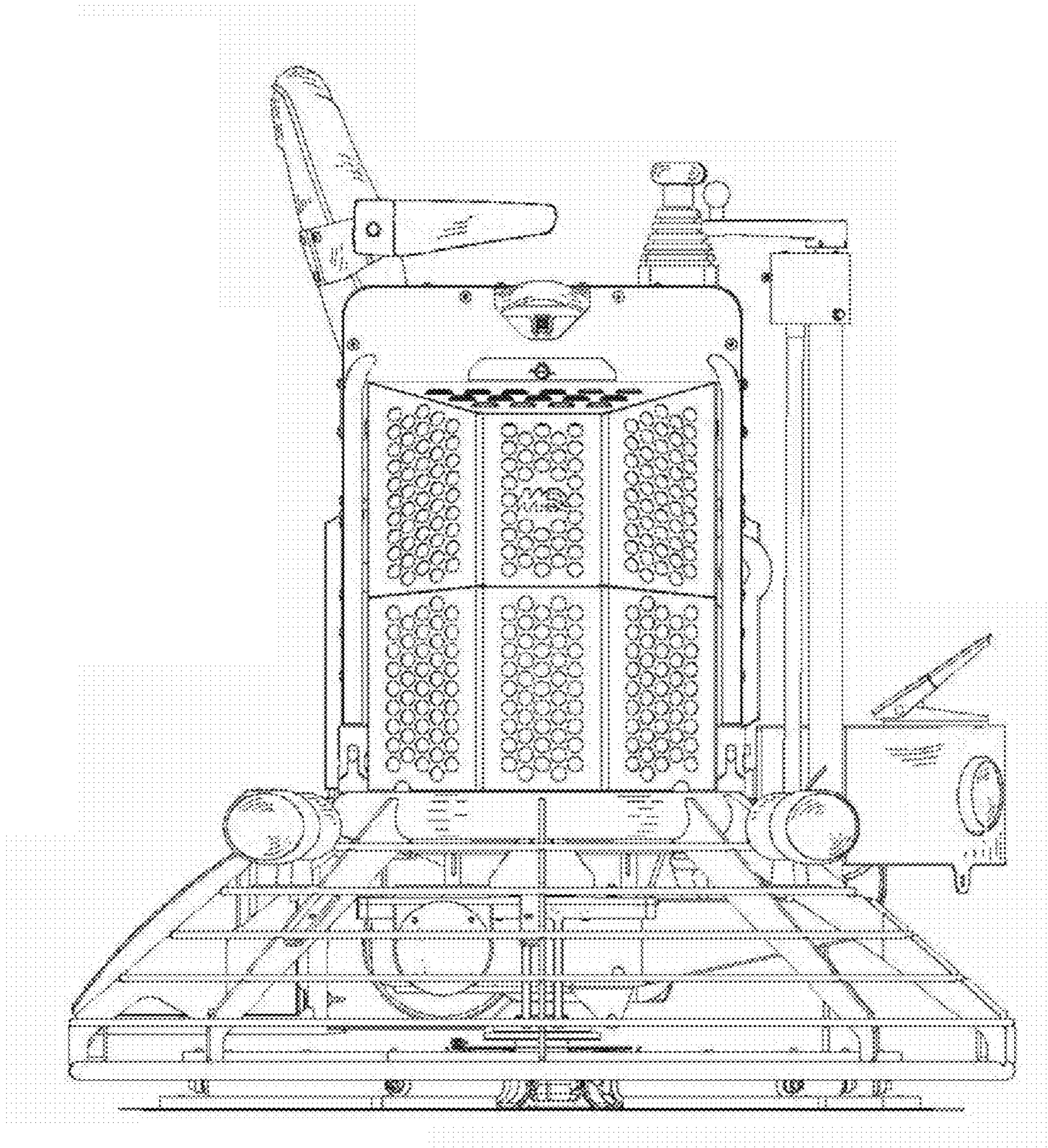


Fig. 5

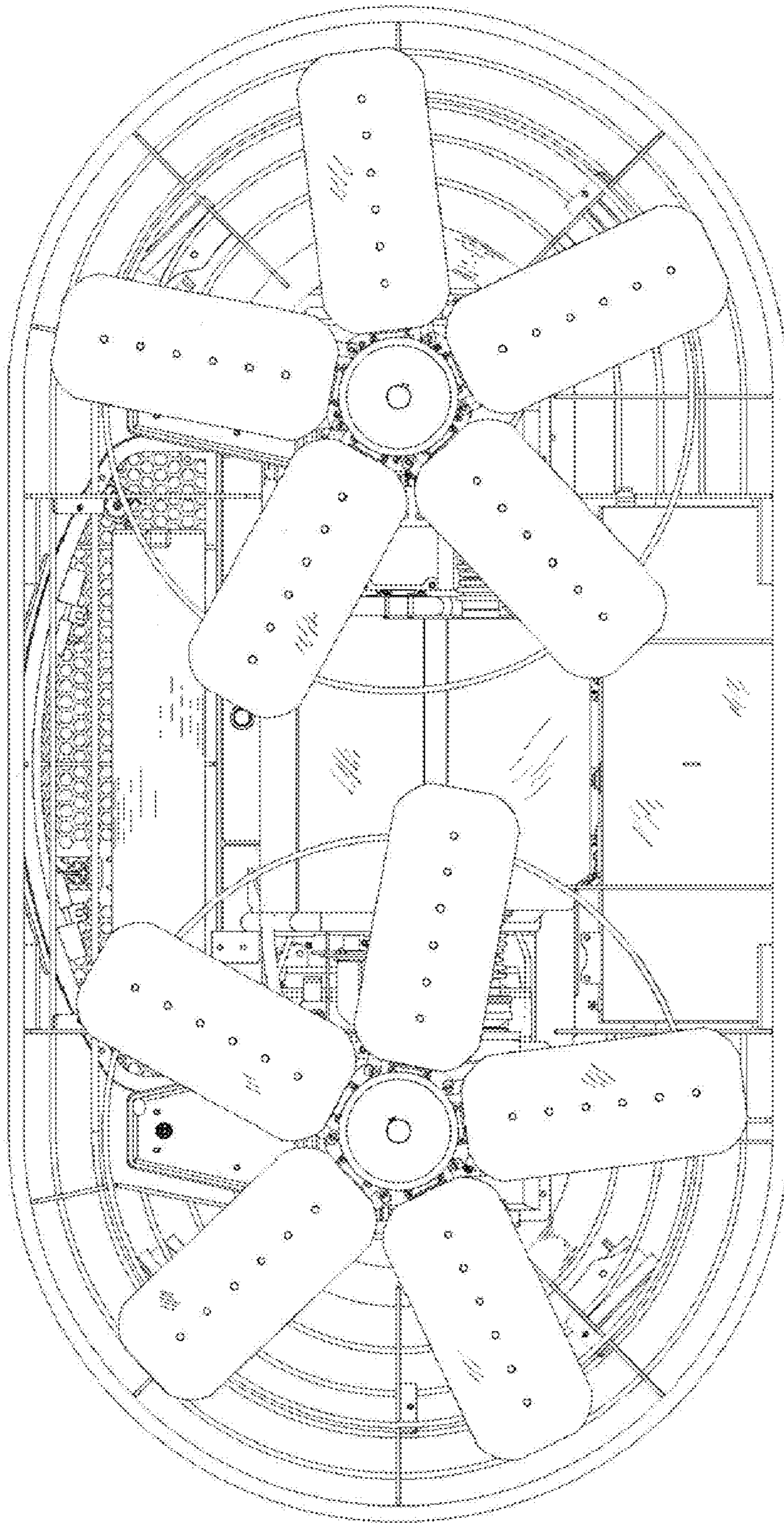


Fig. 6

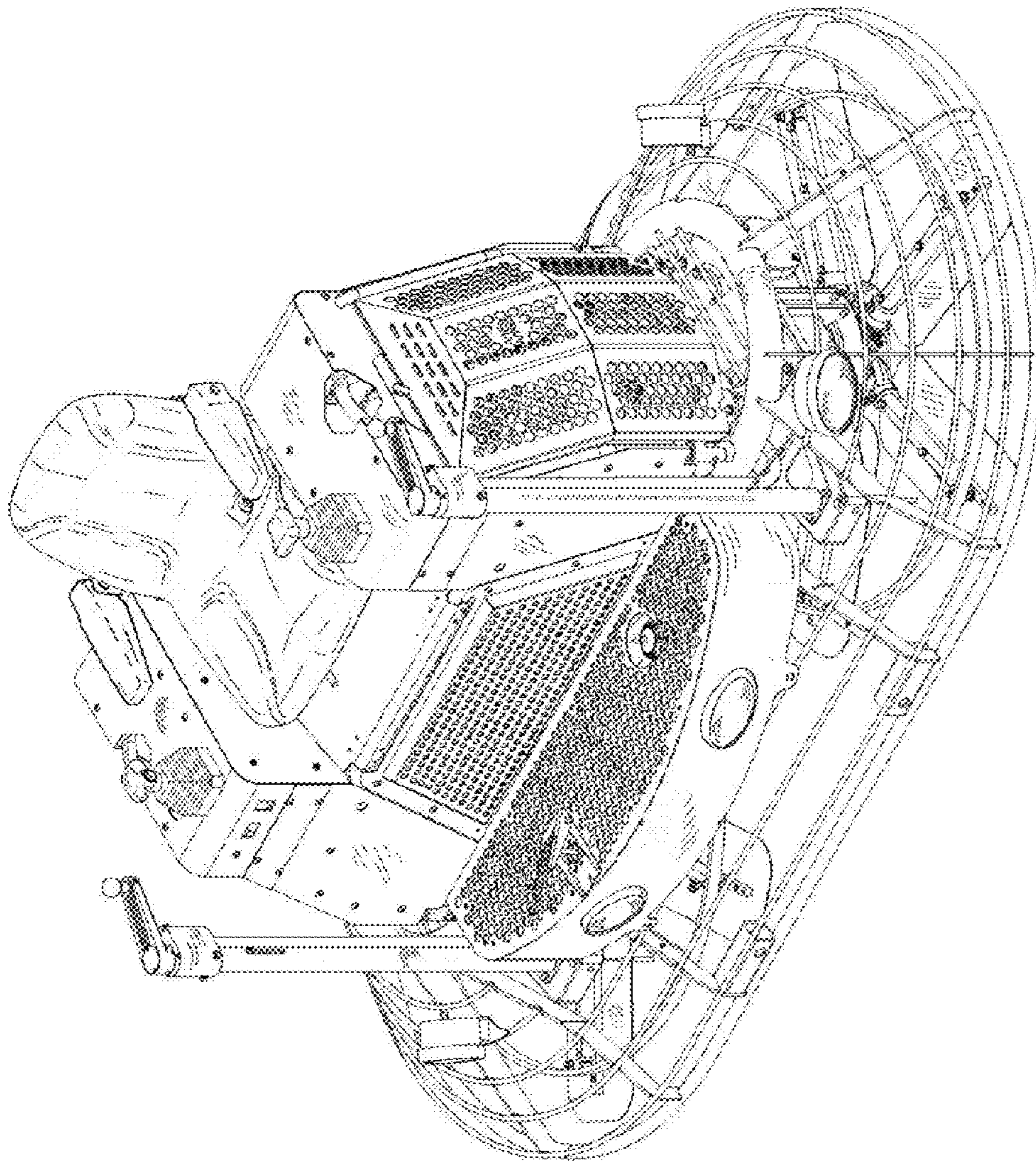


Fig. 7

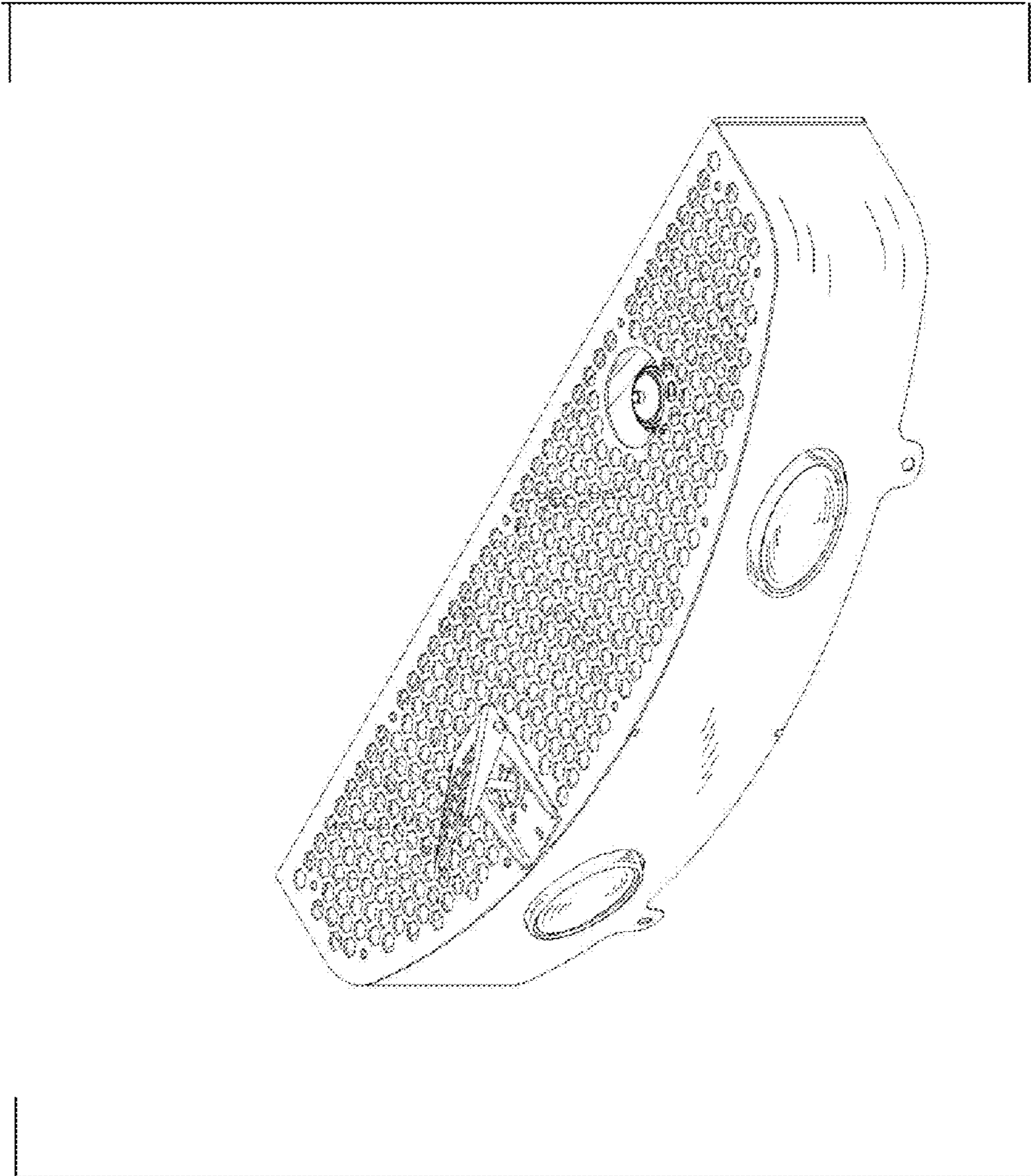


Fig. 8

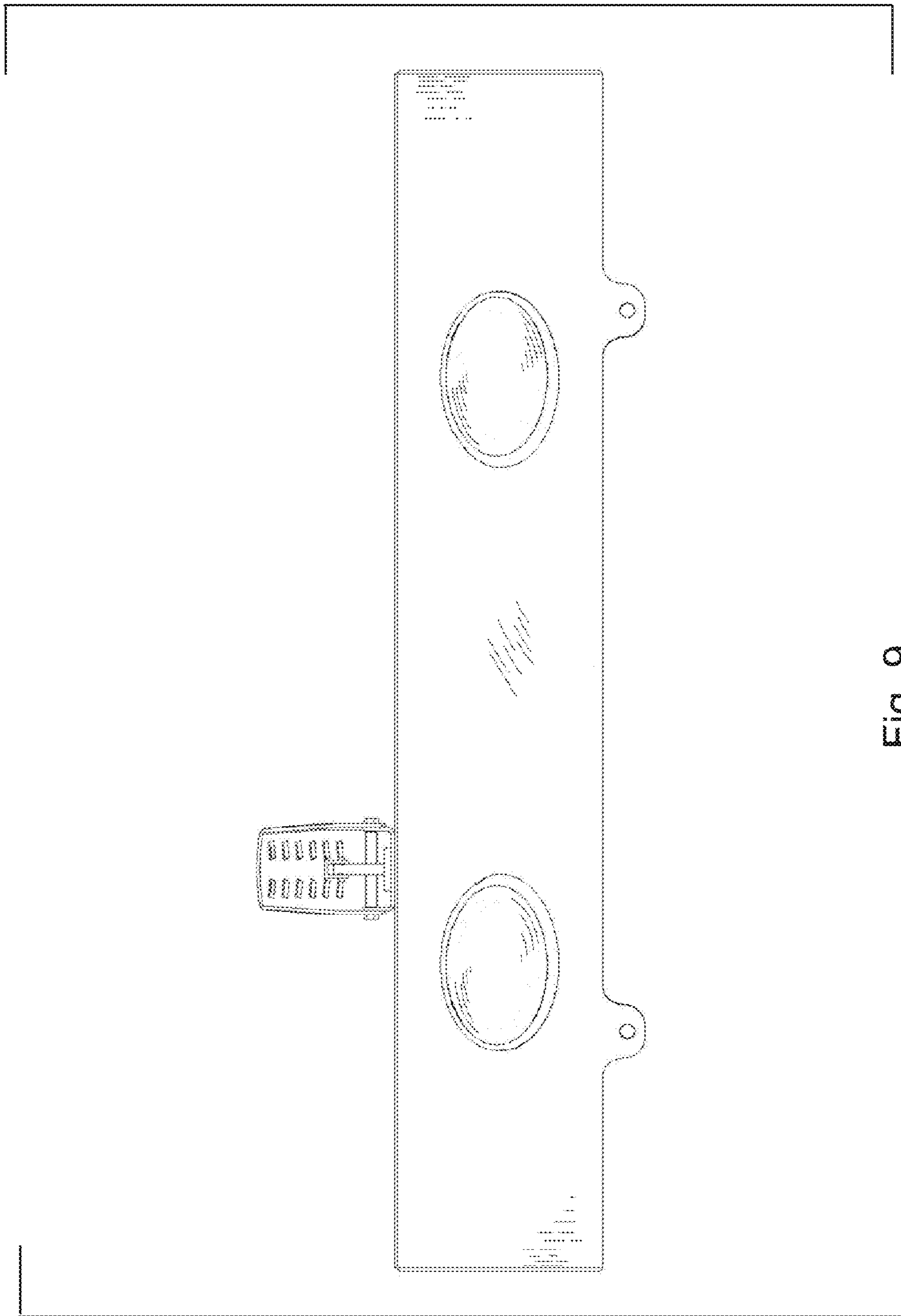


Fig. 9

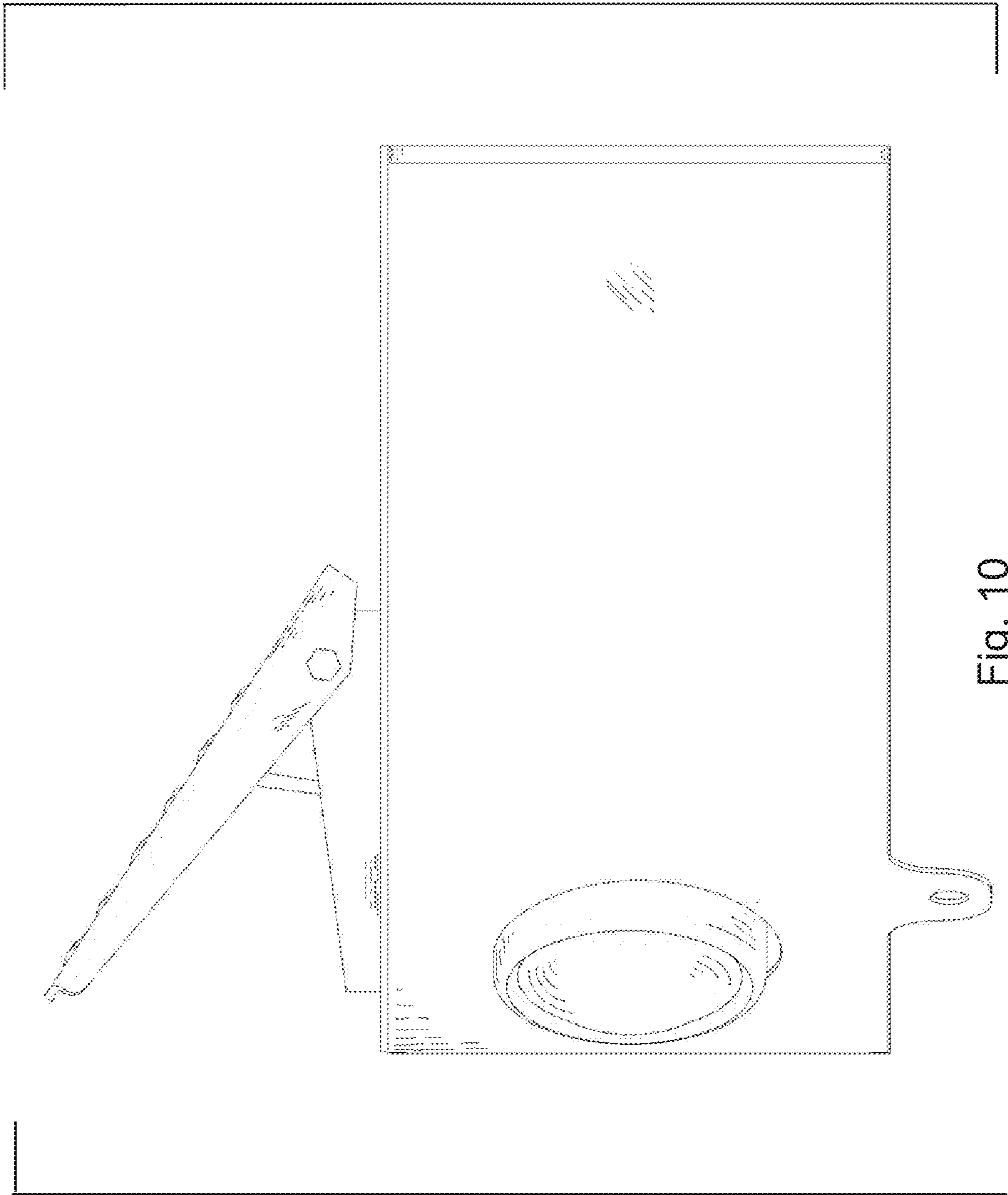


Fig. 10

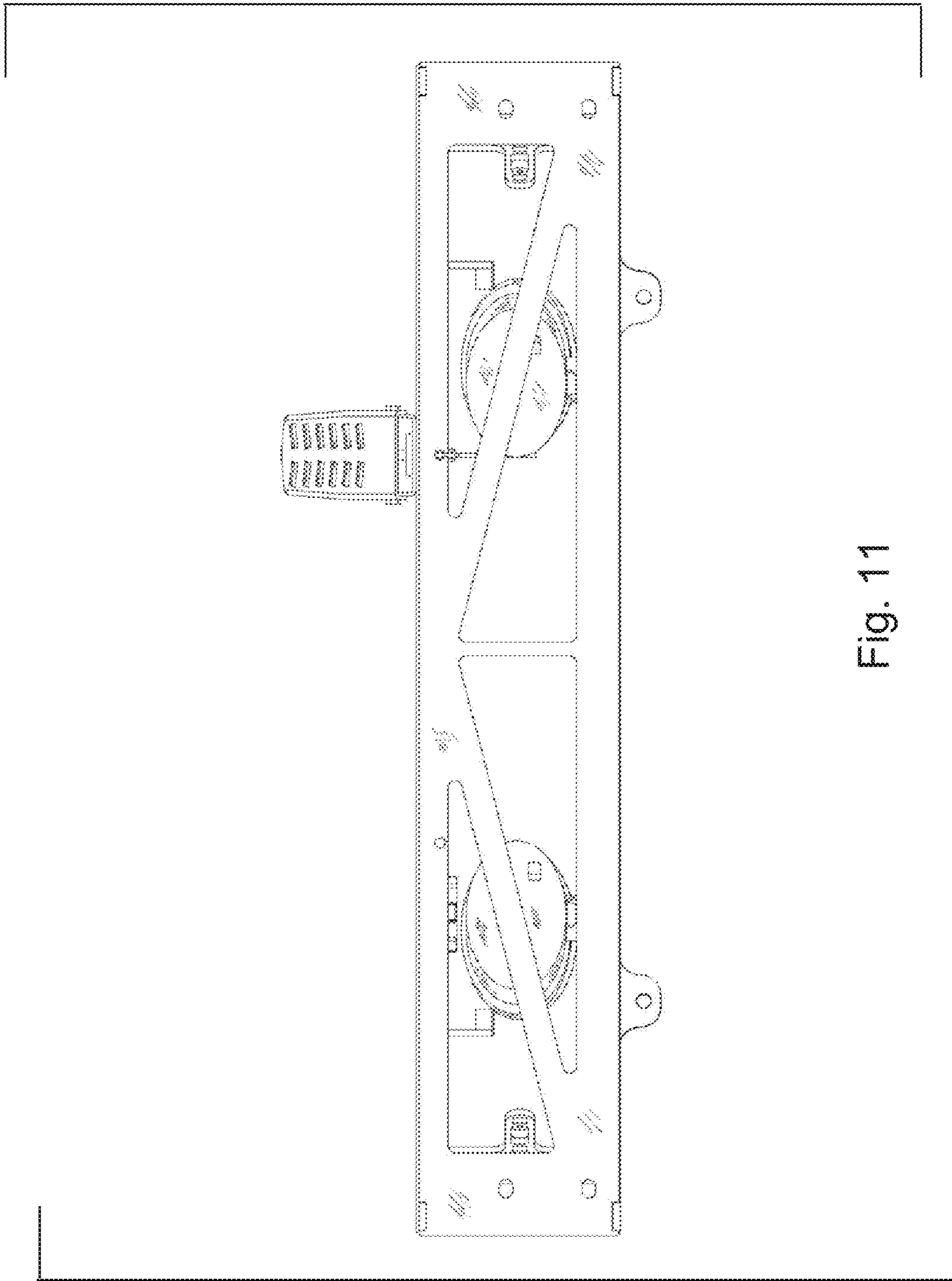


Fig. 11

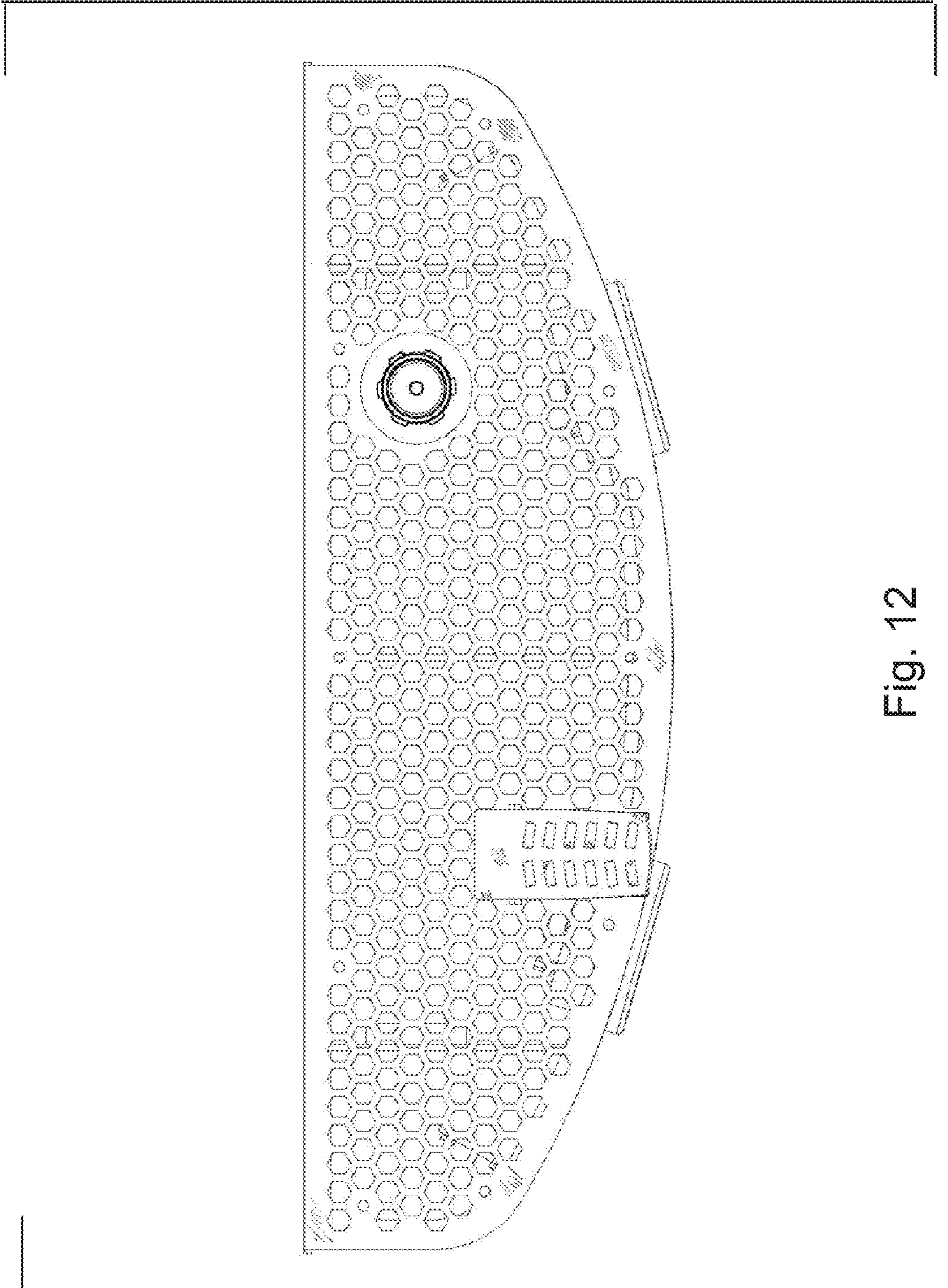


Fig. 12

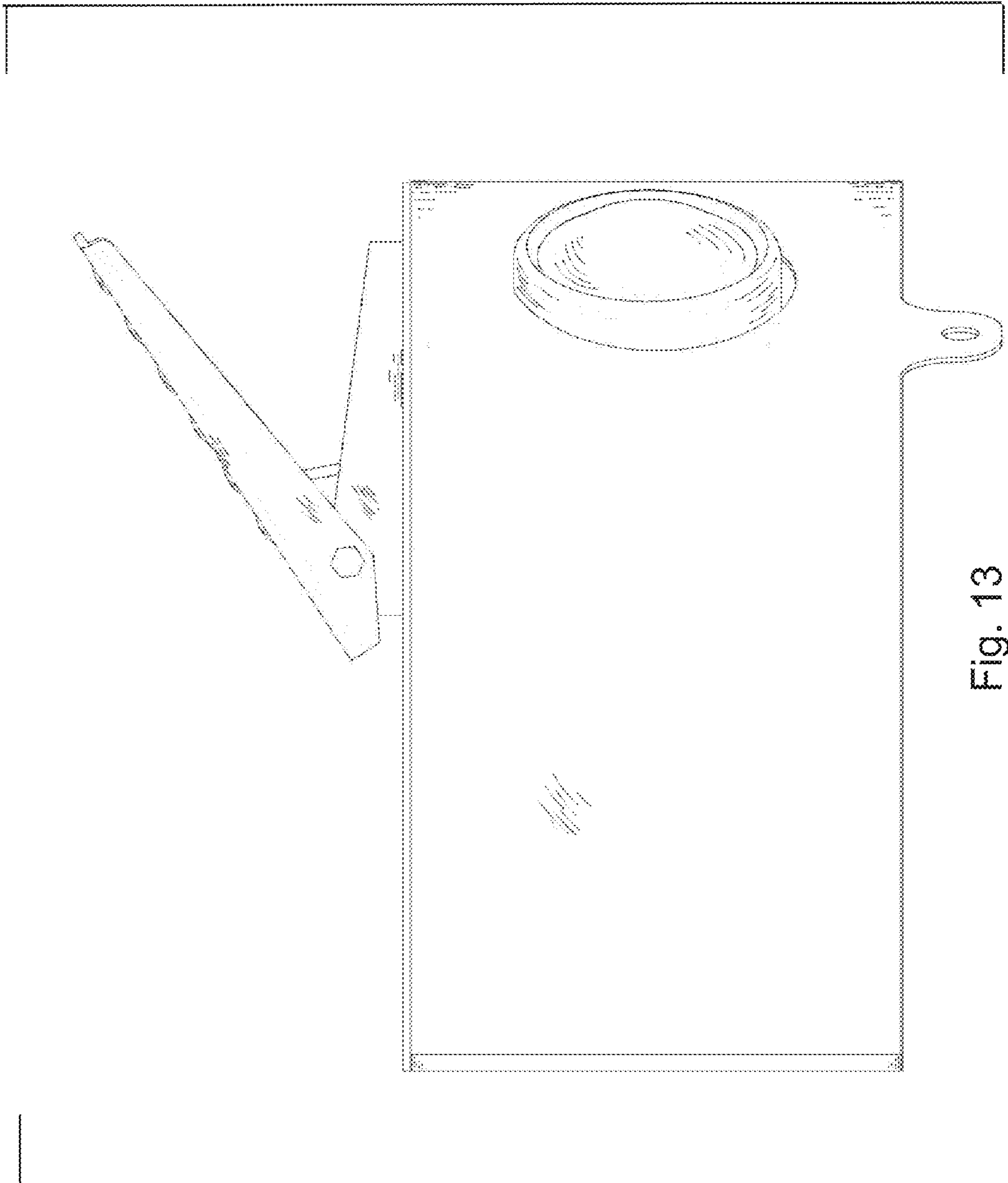


Fig. 13

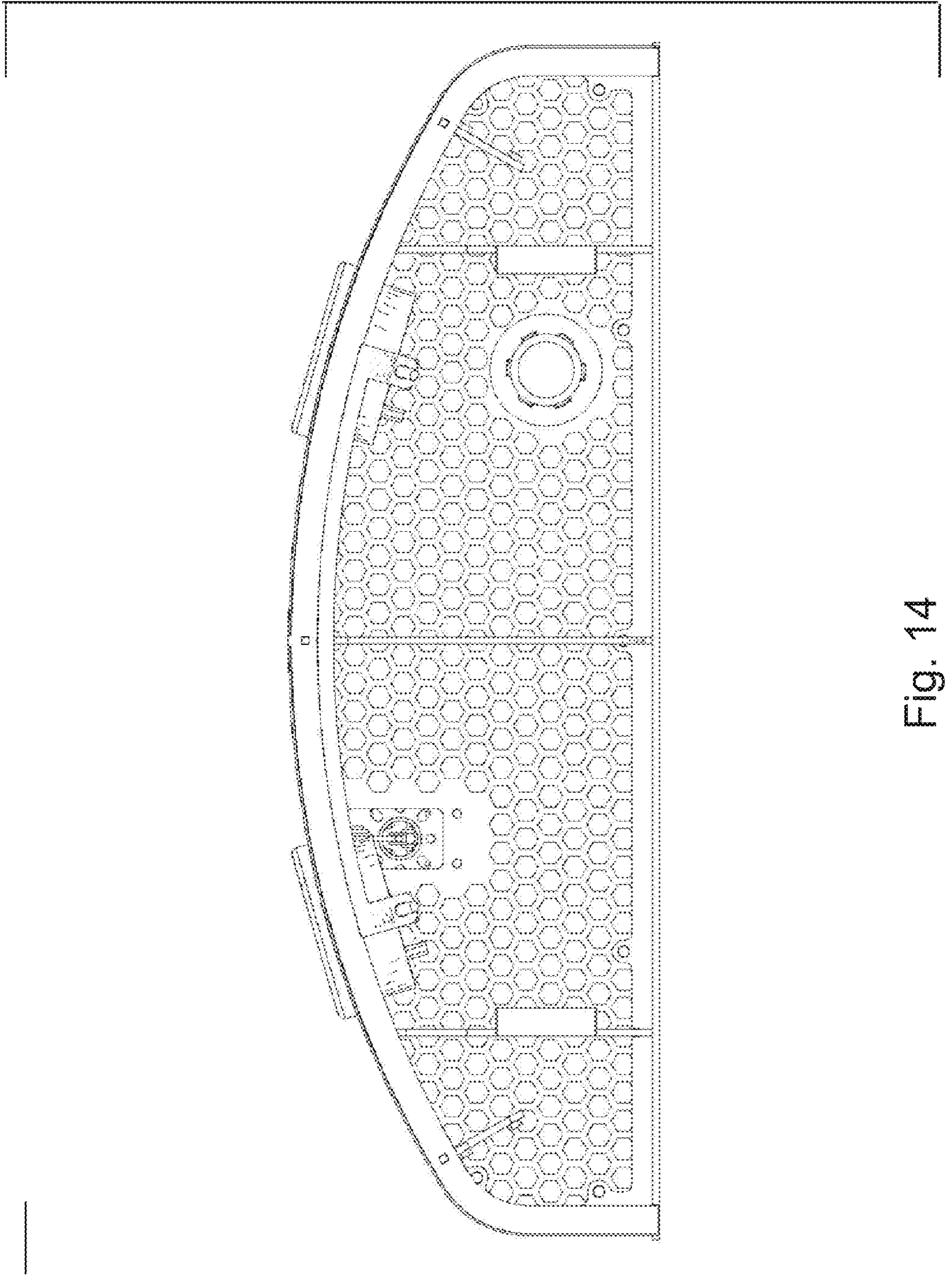


Fig. 14

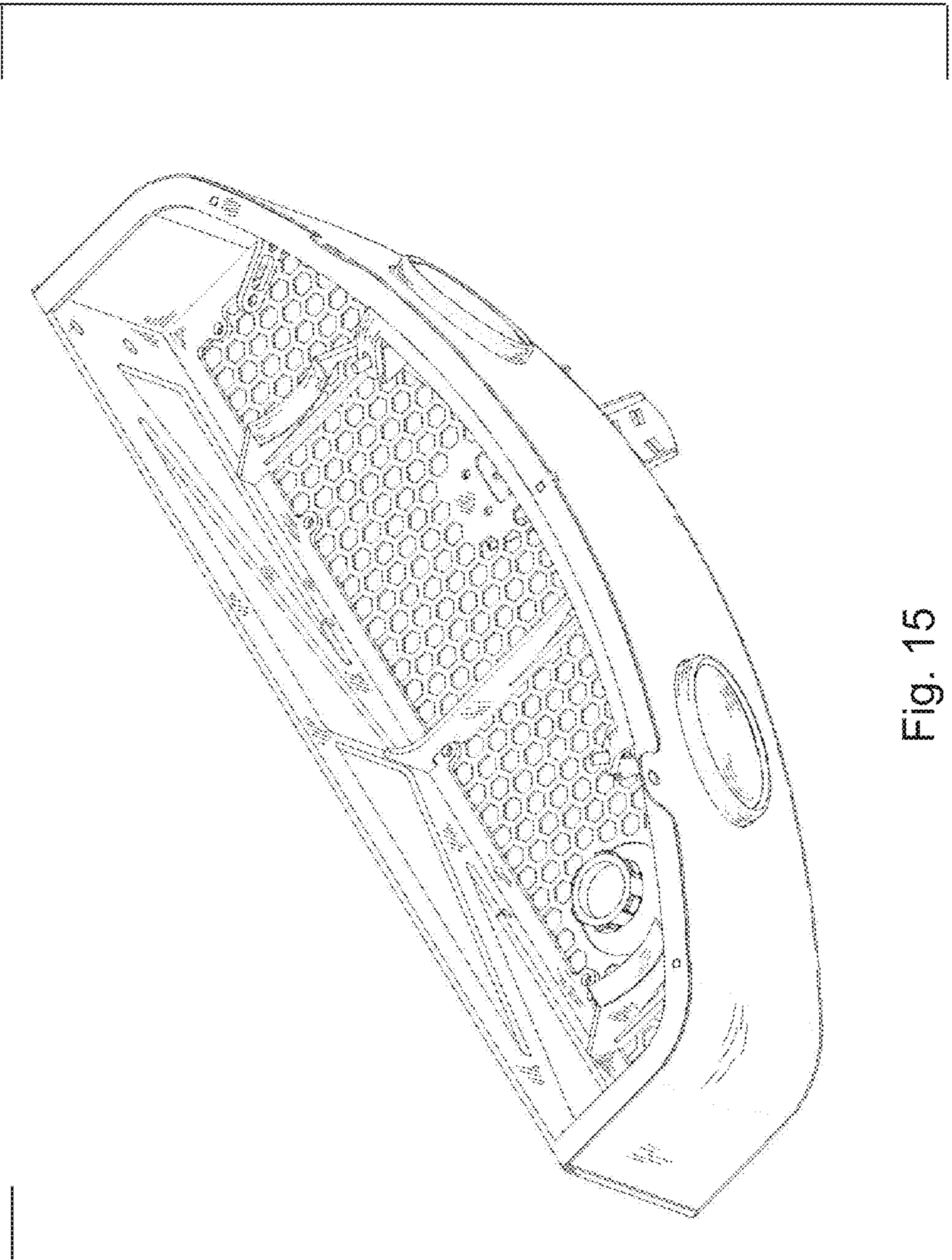


Fig. 15

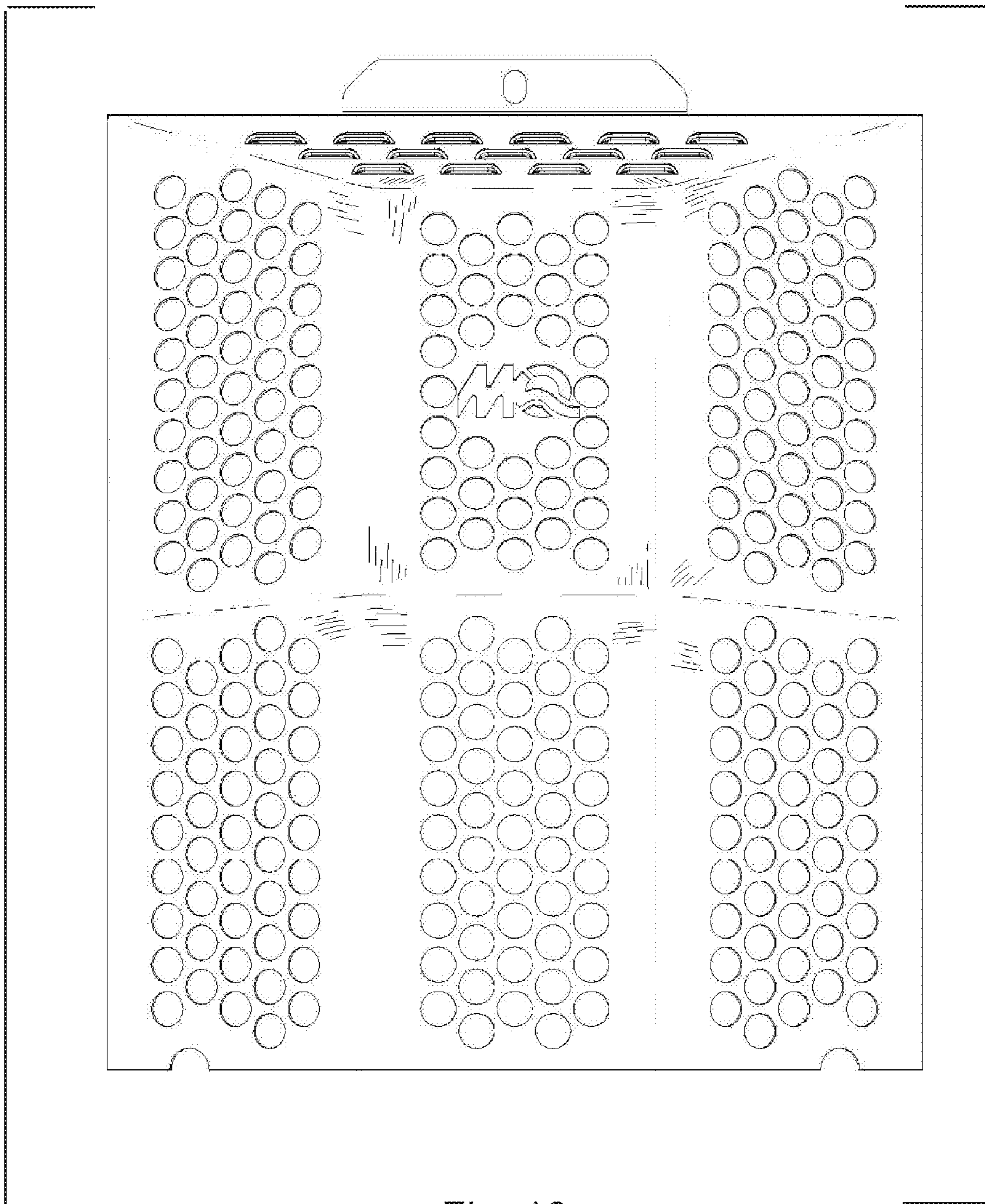


Fig. 16

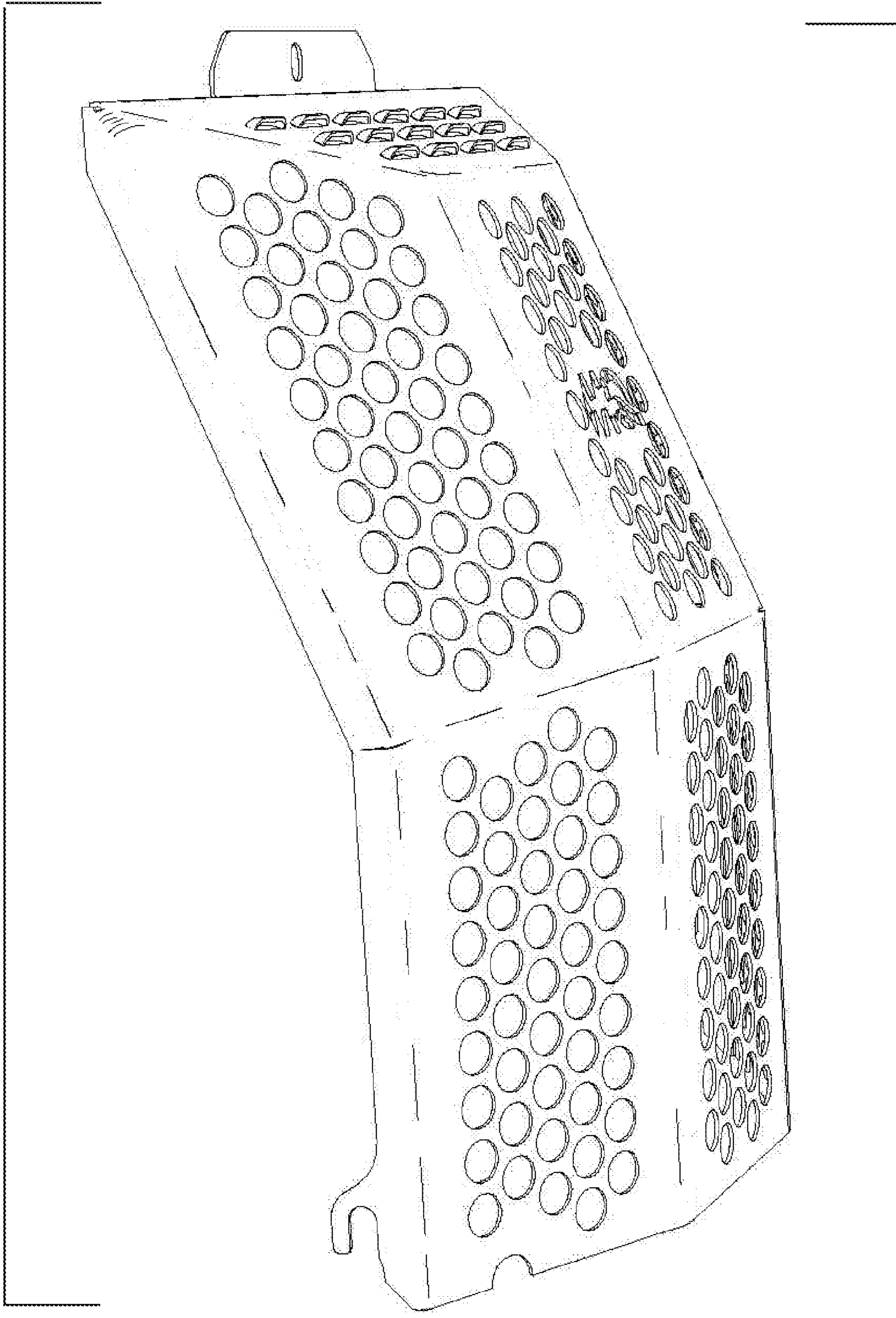


Fig. 17

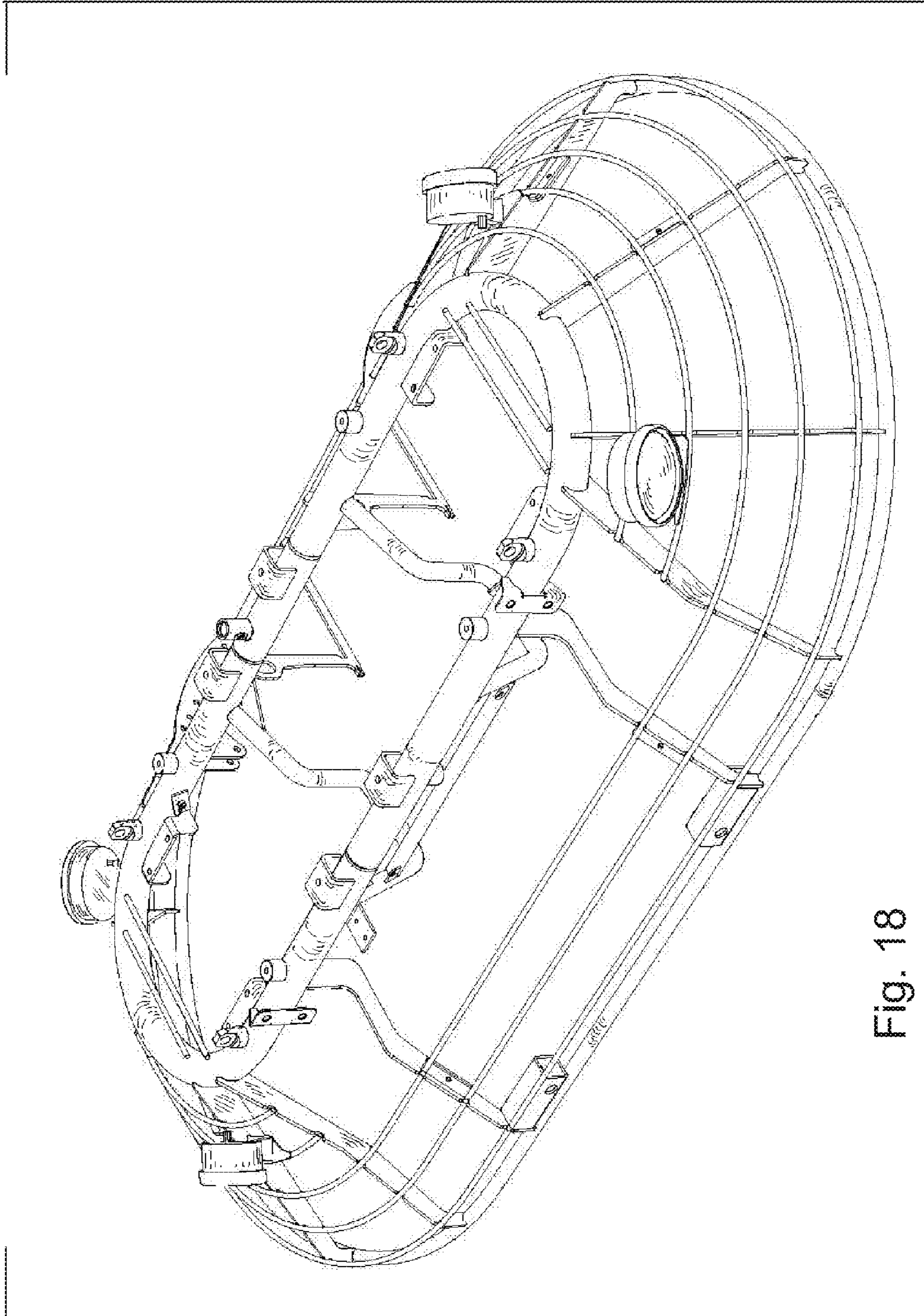


Fig. 18

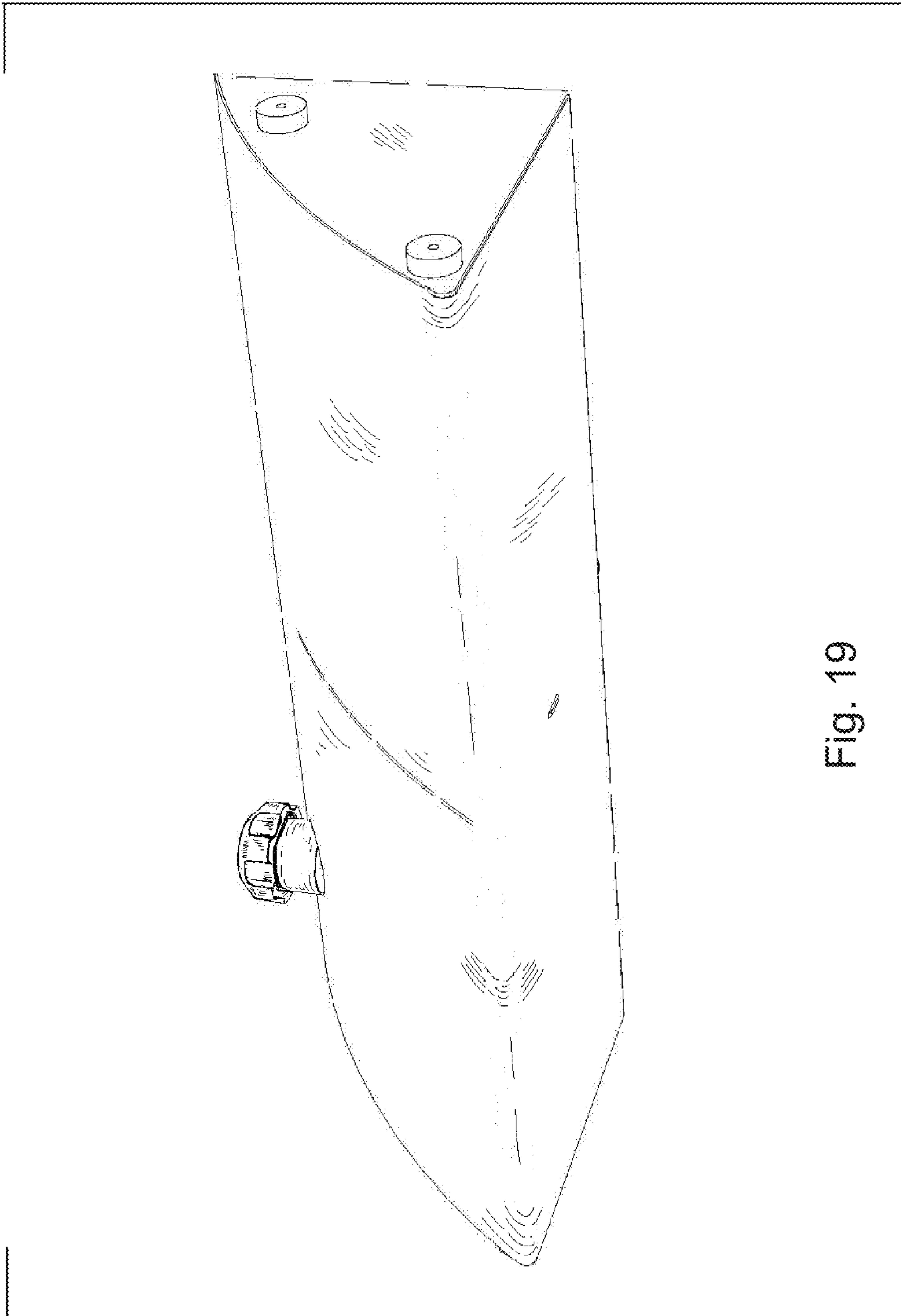


Fig. 19

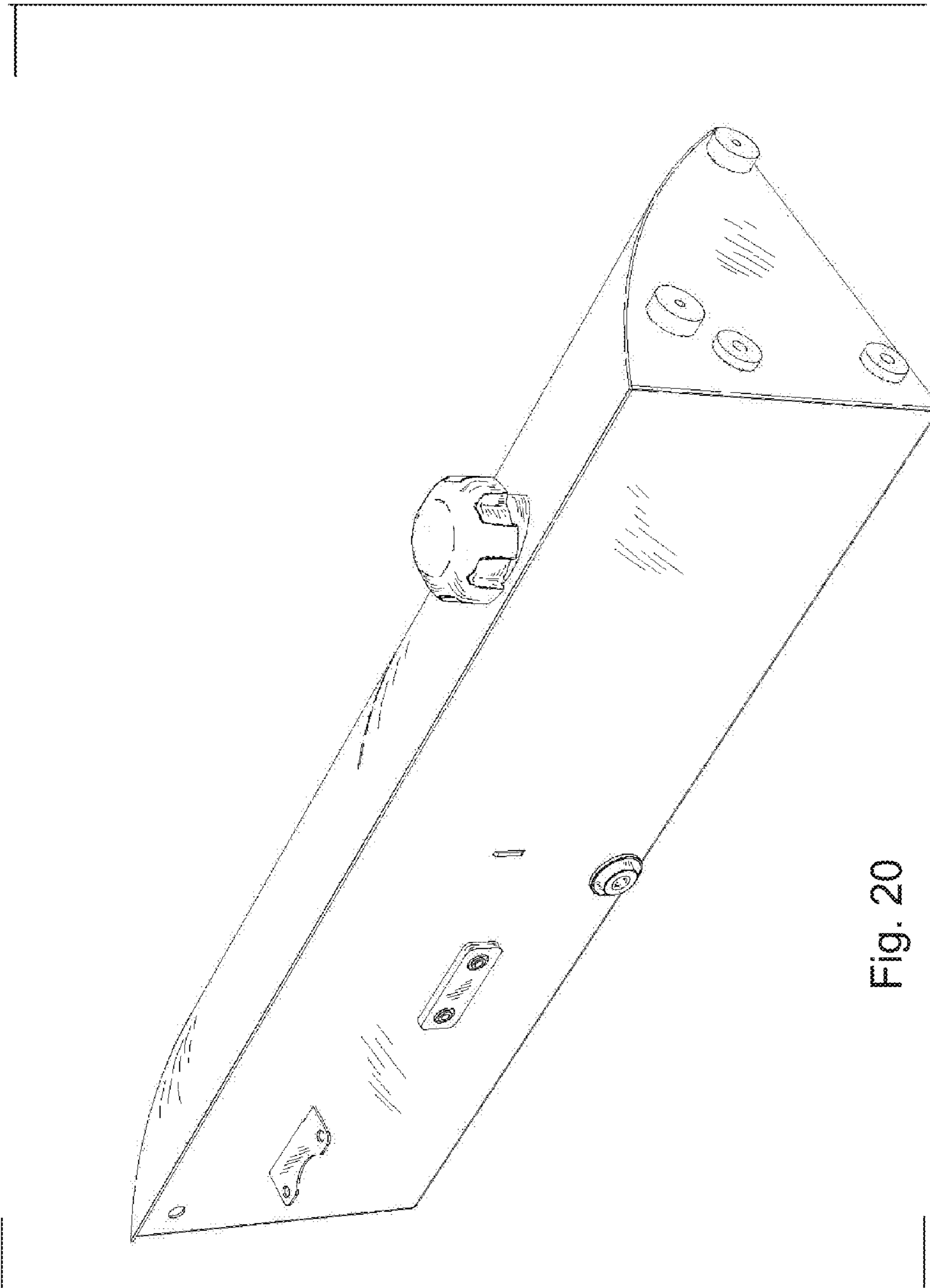


Fig. 20

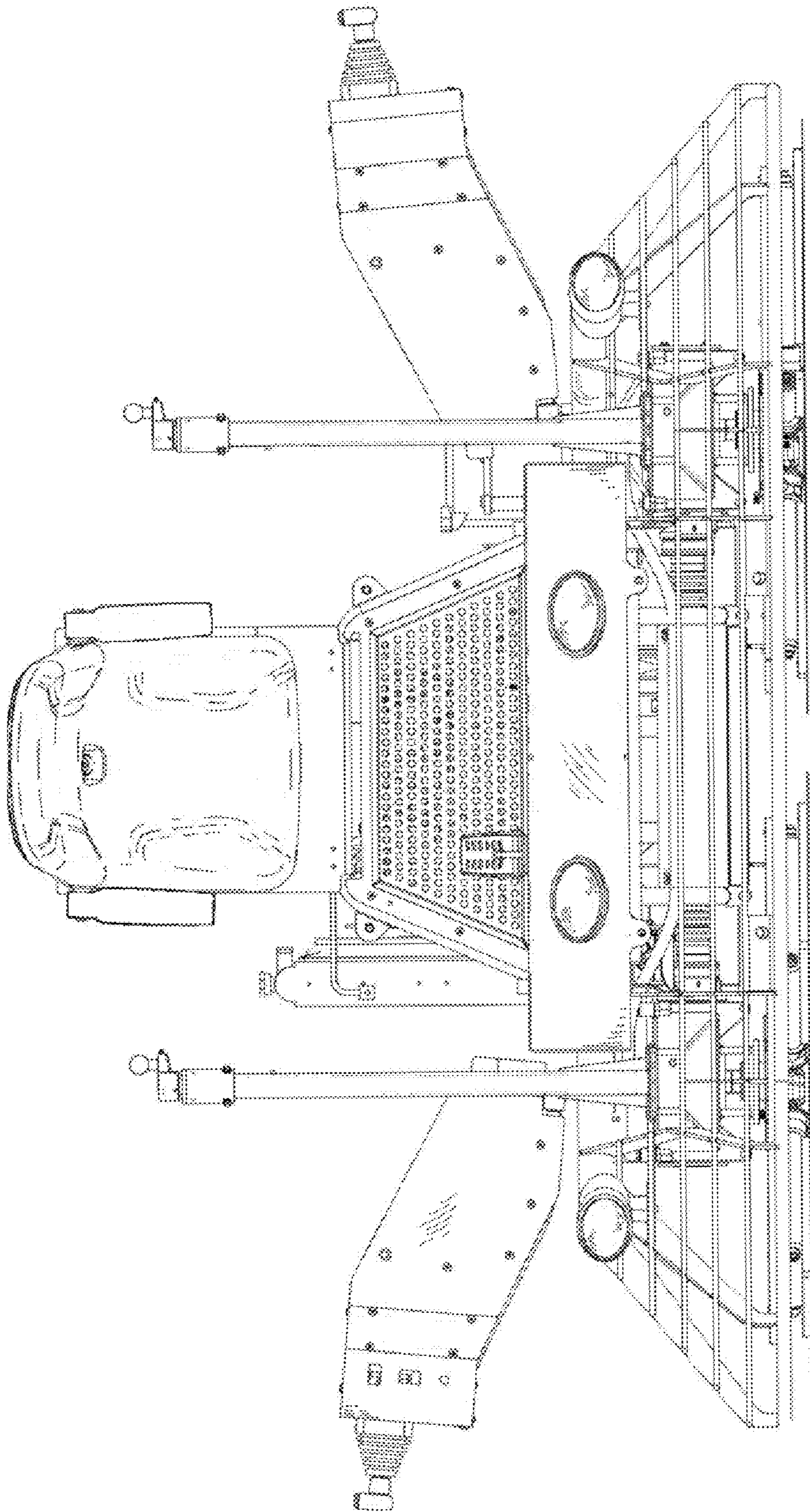


Fig. 21

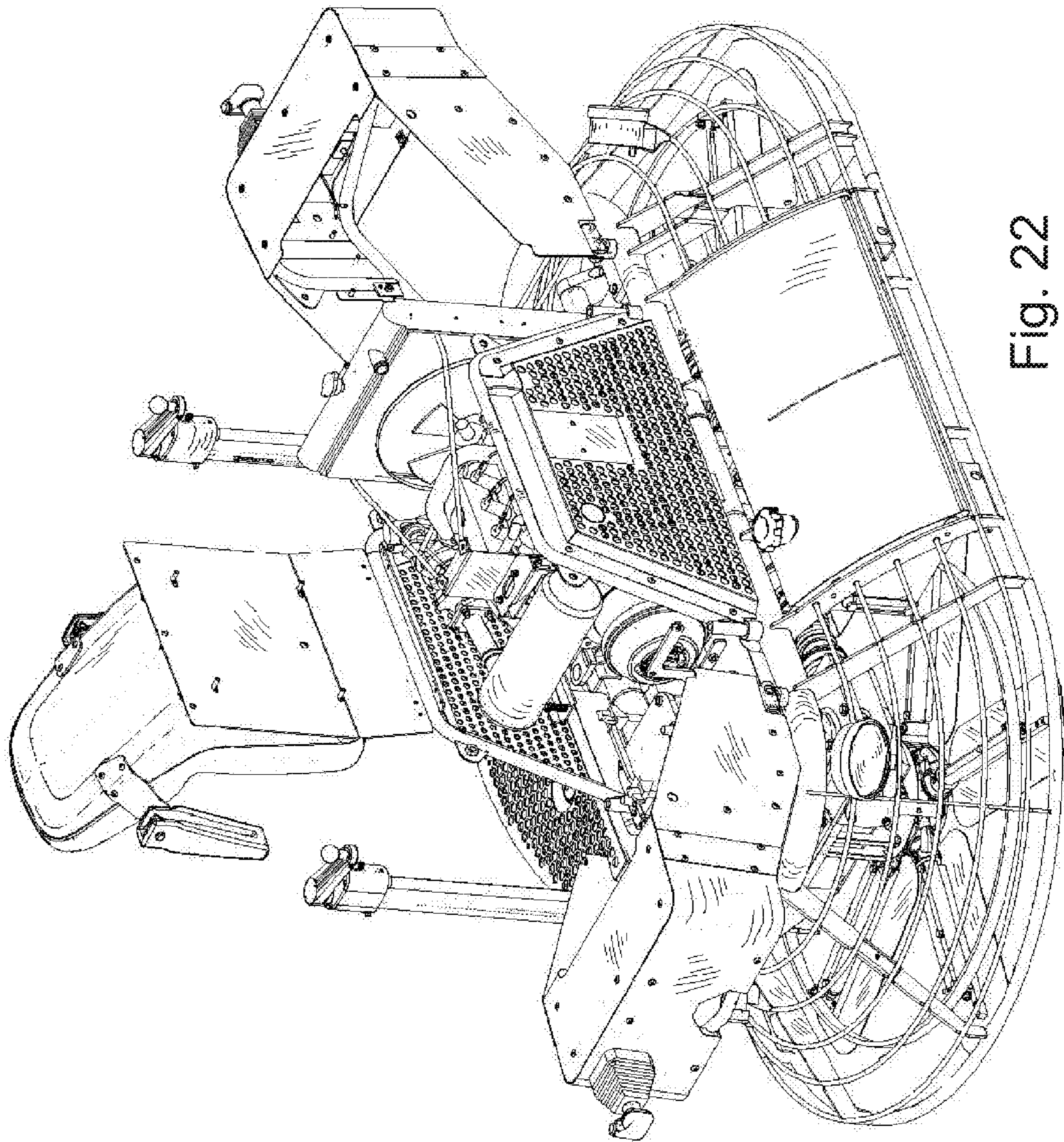


Fig. 22