



US00D602960S

(12) **United States Design Patent**
Bukoski et al.

(10) **Patent No.:** **US D602,960 S**

(45) **Date of Patent:** **** Oct. 27, 2009**

(54) **COVER FOR AN AIR COMPRESSOR**

(75) Inventors: **Timothy D. Bukoski**, Sherwood, OR (US); **Glenn A Klecker**, Silverton, OR (US)

(73) Assignee: **Dental Components, LLC**, Newberg, OR (US)

(**) Term: **14 Years**

(21) Appl. No.: **29/308,929**

(22) Filed: **Jul. 16, 2008**

(51) **LOC (9) Cl.** **15-02**

(52) **U.S. Cl.** **D15/9**

(58) **Field of Classification Search** D15/7-9;
D23/231, 232, 225; 417/410.1, 359, 415-416,
417/234, 321, 265, 405

See application file for complete search history.

(56) **References Cited**

U.S. PATENT DOCUMENTS

D231,132 S * 4/1974 Seastrom D15/7

D293,585 S * 1/1988 Morgan D15/9
D303,533 S * 9/1989 Eberhardt et al. D15/7
D573,609 S * 7/2008 Bilger D15/7
D590,841 S * 4/2009 Muhlenberend D15/7

* cited by examiner

Primary Examiner—R. Seifert

(74) *Attorney, Agent, or Firm*—Brian C. Trask

(57) **CLAIM**

The ornamental design for a cover for an air compressor, as shown and described.

DESCRIPTION

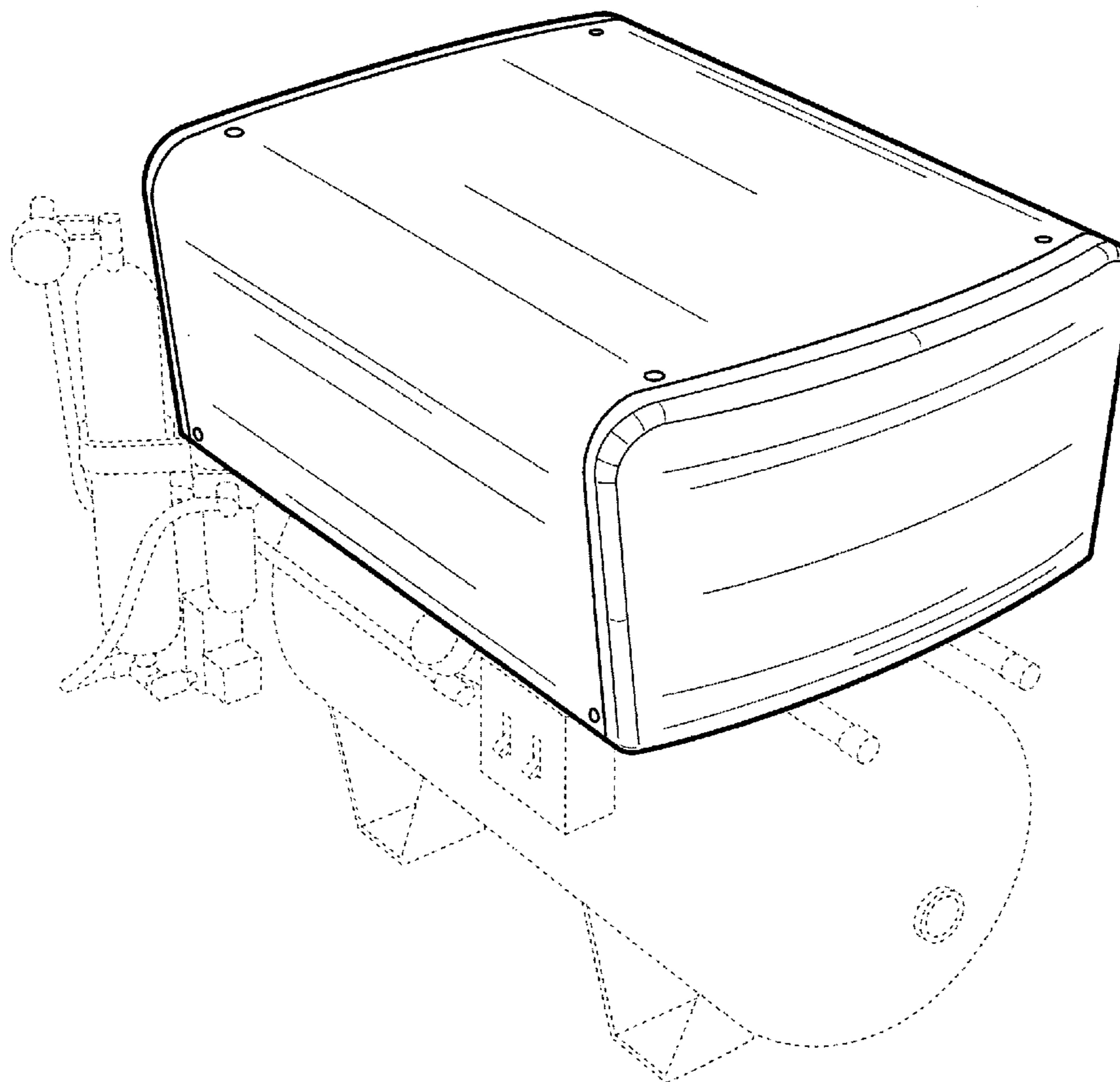
FIG. 1 is a perspective view of a cover for an air compressor showing our new design;

FIG. 2 is an end view; and,

FIG. 3 is a side view.

The broken line showing of an air compressor and associated equipment in FIGS. 1-3 is included for the purpose of illustrating environmental matter and forms no part of the claimed design.

1 Claim, 3 Drawing Sheets



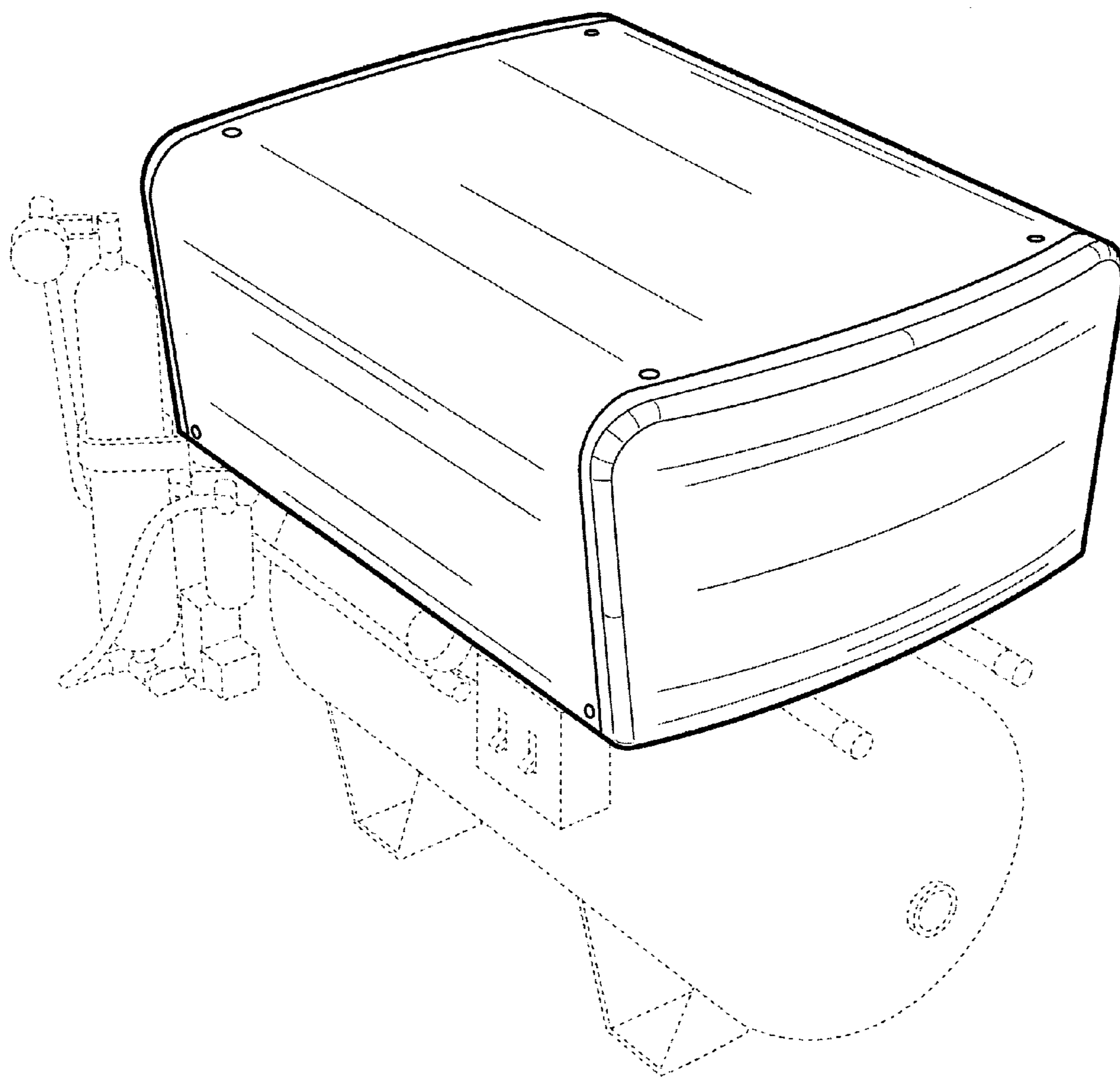


FIG. 1

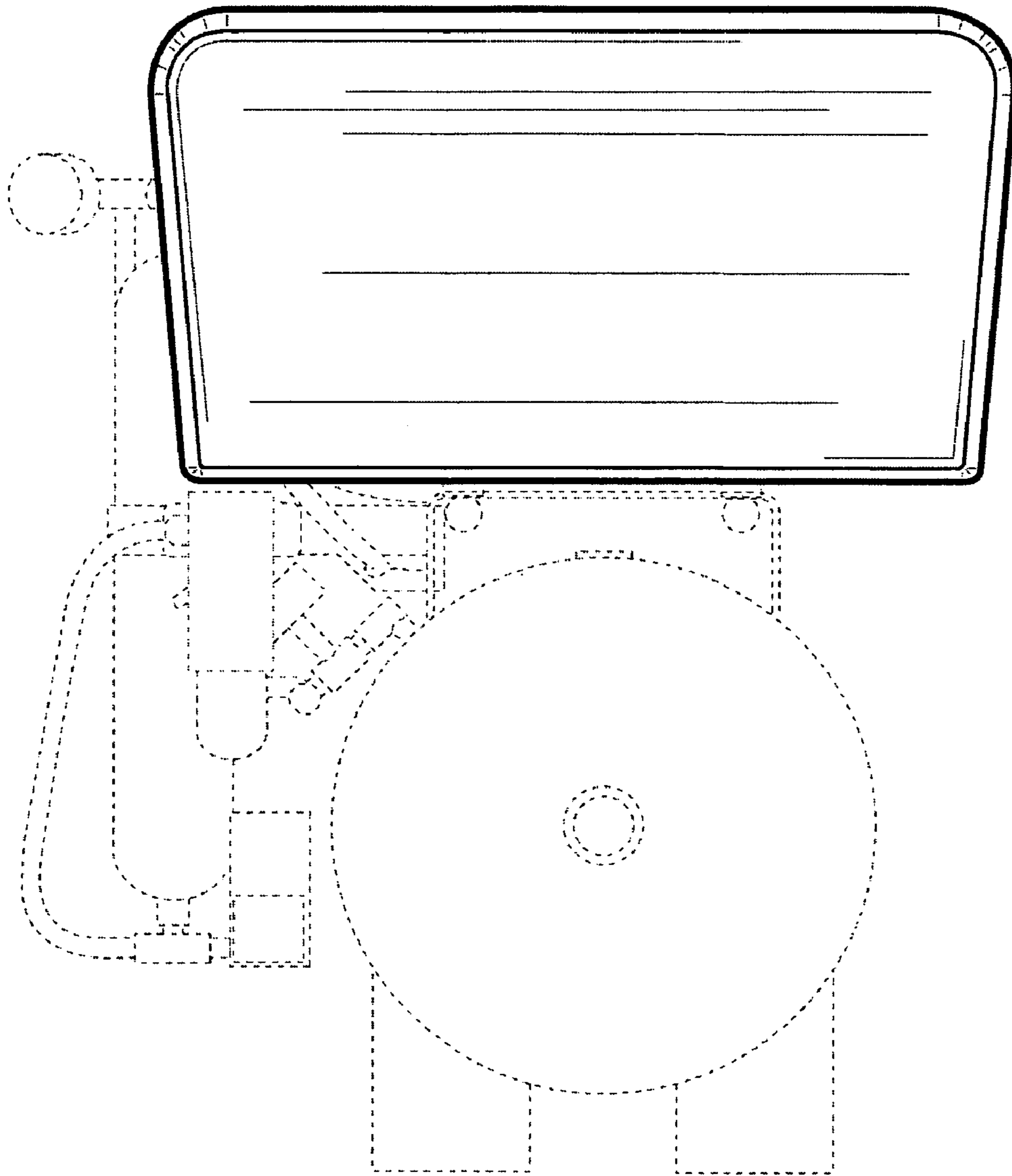


FIG. 2

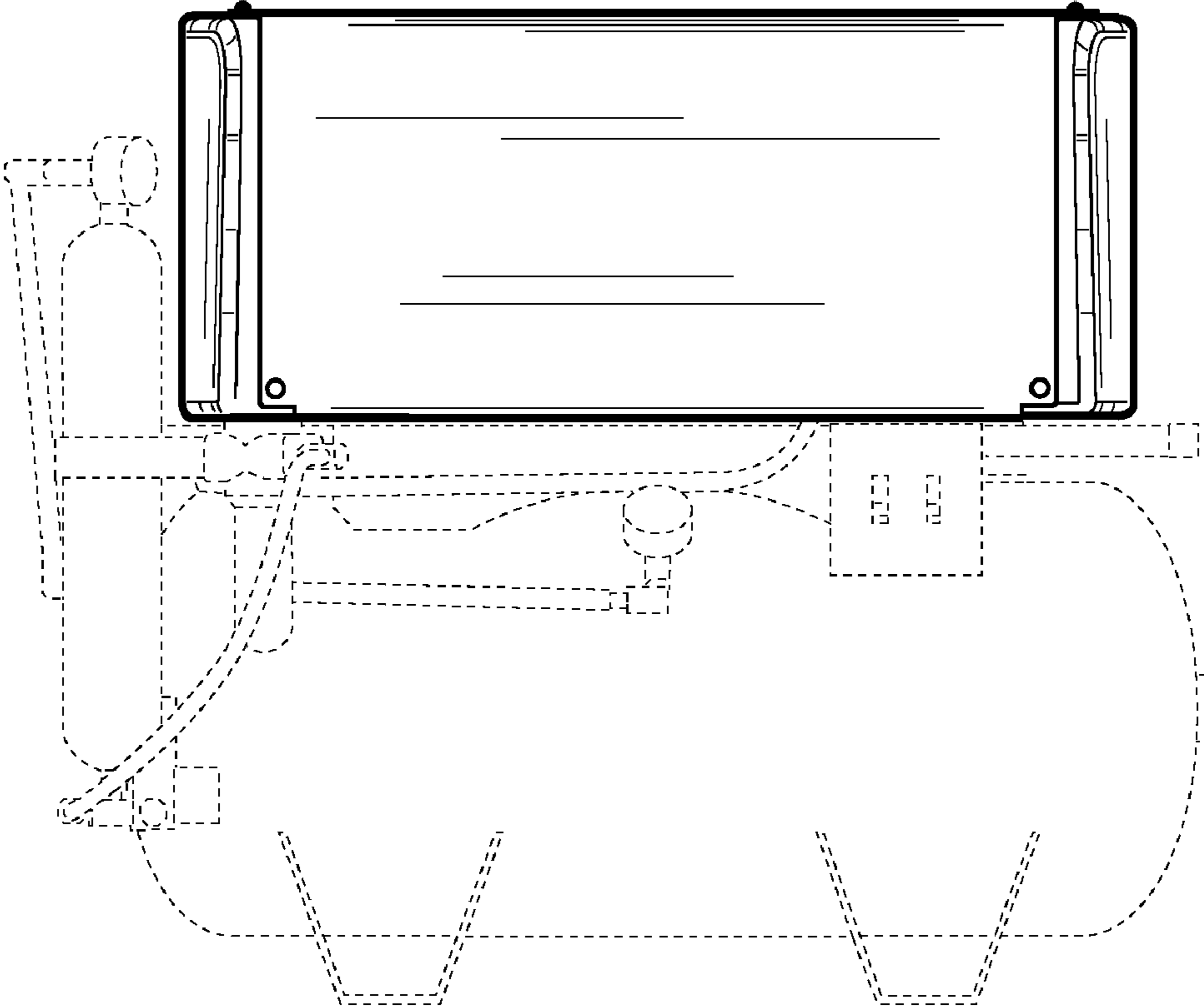


FIG. 3