



US00D602954S

(12) **United States Design Patent**
Herzer

(10) **Patent No.:** **US D602,954 S**

(45) **Date of Patent:** **** Oct. 27, 2009**

(54) **GAS POWERED INTERNAL COMBUSTION ENGINE FOR USE IN A STRING TRIMMER**

6,945,215 B2 * 9/2005 Kawamoto et al. 123/196 W
2005/0133354 A1 * 6/2005 Watanabe et al. 200/334

(76) Inventor: **Bernardo J. Herzer**, 3863 Westwood Blvd., Culver City, CA (US) 90232

* cited by examiner

(**) Term: **14 Years**

Primary Examiner—Ian Simmons

Assistant Examiner—Wan Laymon

(74) *Attorney, Agent, or Firm*—Don Finkelstein

(21) Appl. No.: **29/286,824**

(57) **CLAIM**

(22) Filed: **May 21, 2007**

The ornamental design for a gas powered internal combustion engine for use in a string trimmer, as shown and described.

(51) **LOC (9) Cl.** **15-01**

(52) **U.S. Cl.** **D15/1**

(58) **Field of Classification Search** D15/1-5,
D15/14, 17; 123/192.1, 27 GE, 525, 557,
123/527, 195 R, 198 E

DESCRIPTION

See application file for complete search history.

FIG. 1 is a perspective view of my gas powered internal combustion engine for use in a string trimmer;

FIG. 2 is a right side elevational view of my gas powered internal combustion engine for use in a string trimmer;

FIG. 3 is a left side elevational view of my gas powered internal combustion engine for use in a string trimmer;

(56) **References Cited**

U.S. PATENT DOCUMENTS

| | | | | | |
|-----------|------|---------|----------------|-------|-----------|
| 3,086,698 | A * | 4/1963 | Goldstein | | 417/411 |
| 3,110,997 | A * | 11/1963 | Mcclain | | 56/12.8 |
| 4,391,041 | A * | 7/1983 | Porter-Bennett | | 30/296.1 |
| 4,815,430 | A * | 3/1989 | Ueno et al. | | 123/195 R |
| D324,051 | S * | 2/1992 | Tuggle et al. | | D15/1 |
| 5,211,144 | A * | 5/1993 | Collins et al. | | 123/198 E |
| D344,088 | S * | 2/1994 | Tuggle et al. | | D15/1 |
| D355,198 | S * | 2/1995 | Kikuchi | | D15/1 |
| D358,308 | S * | 5/1995 | Griffin | | D8/8 |
| 5,865,155 | A * | 2/1999 | Nagashima | | 123/398 |
| 6,065,214 | A * | 5/2000 | Nagashima | | 30/276 |
| 6,182,524 | B1 * | 2/2001 | Nagashima | | 74/501.6 |
| 6,409,097 | B1 * | 6/2002 | McCauley | | 239/289 |
| 6,837,447 | B1 * | 1/2005 | Clark | | 239/318 |
| 6,857,413 | B2 * | 2/2005 | Yamamoto | | 123/198 E |

FIG. 4 is a top plan view of my gas powered internal combustion engine for use in a string trimmer;

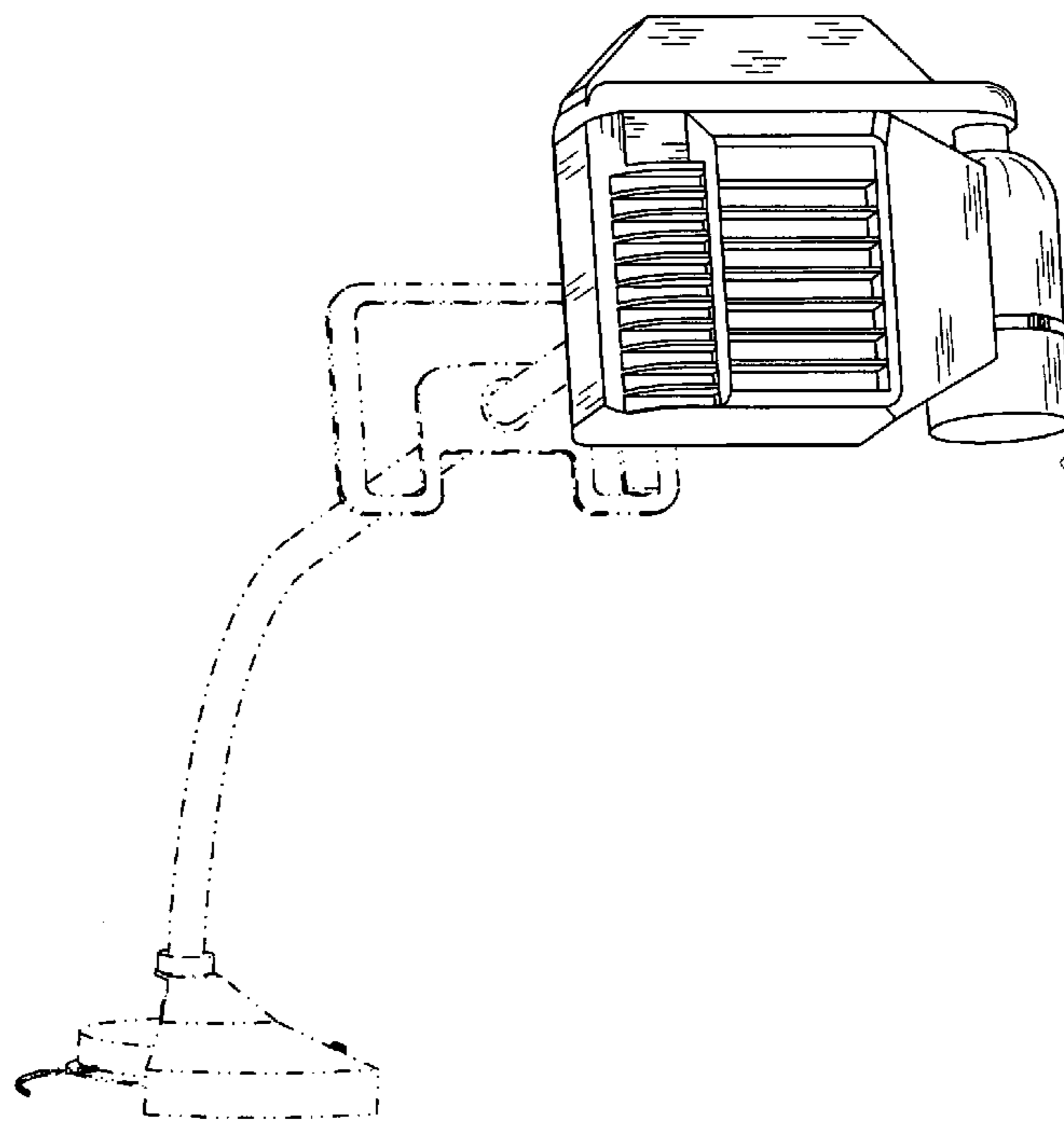
FIG. 5 is a bottom plan view of my gas powered internal combustion engine for use in a string trimmer;

FIG. 6 is a front elevational view of my gas powered internal combustion engine for use in a string trimmer; and,

FIG. 7 is a rear elevational view of my gas powered internal combustion engine for use in a string trimmer.

The broken lines in FIGS. 1 through 7 are for illustrative purposes only and form no part of the claimed design.

1 Claim, 7 Drawing Sheets



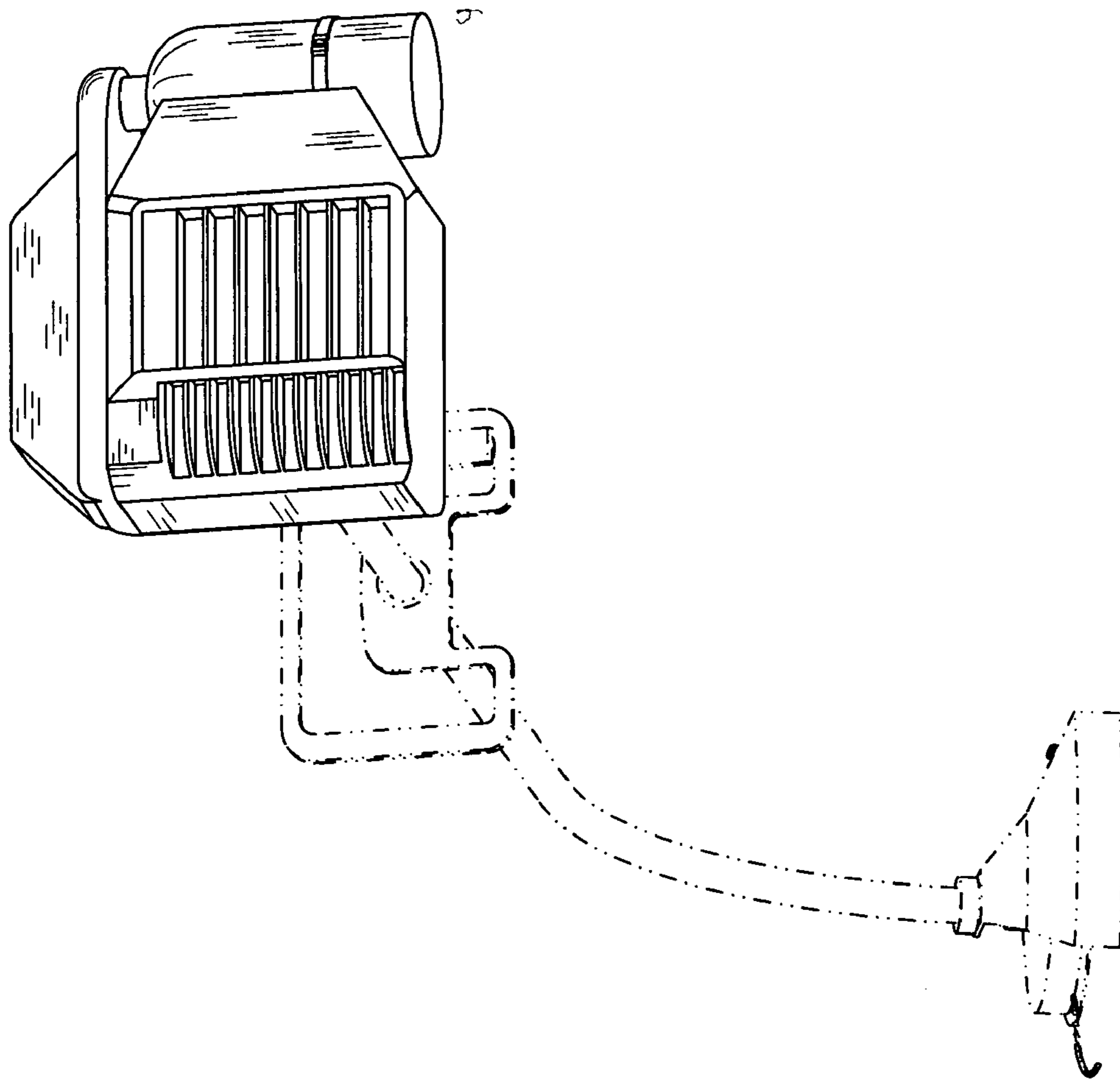


FIG. 1

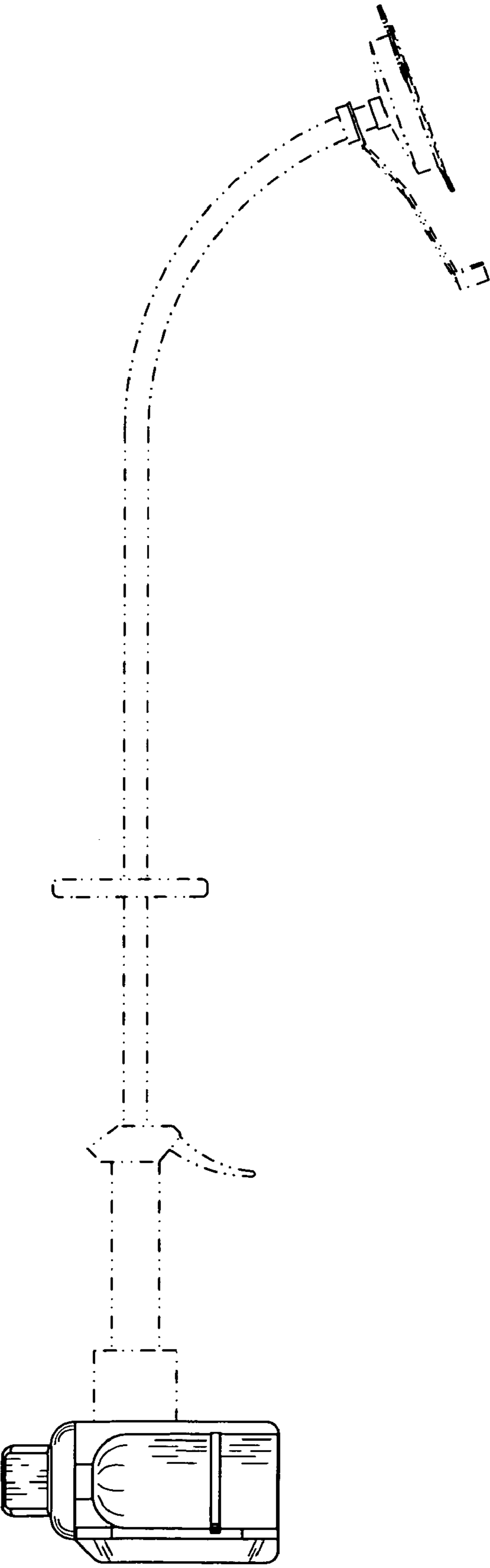


FIG. 2

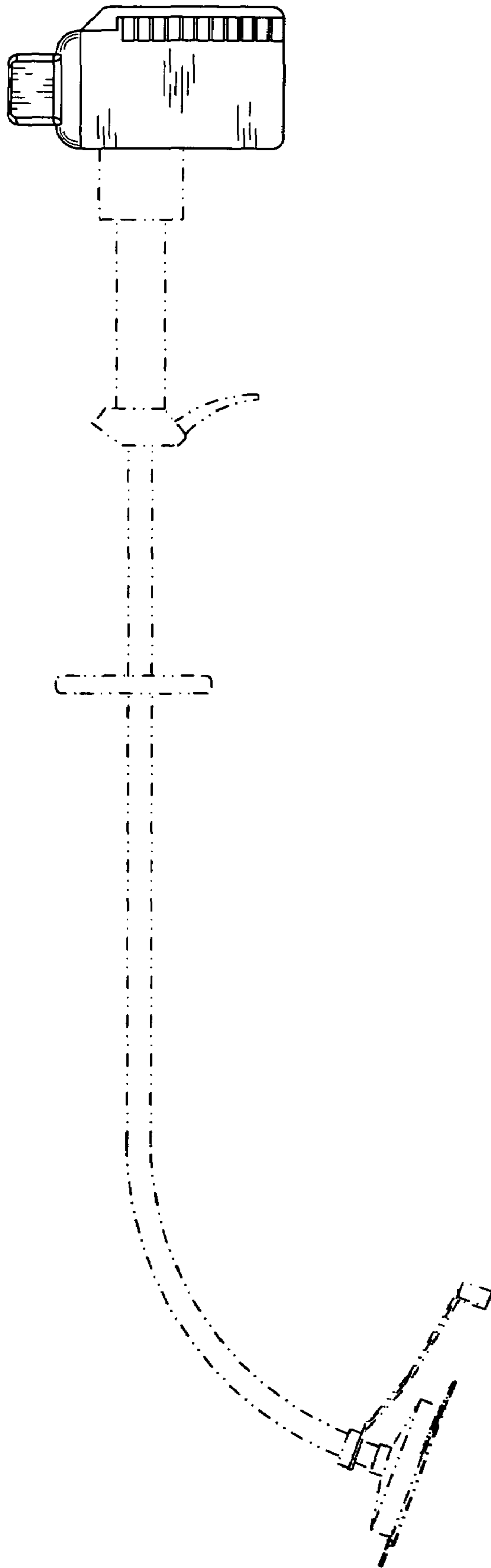


FIG. 3

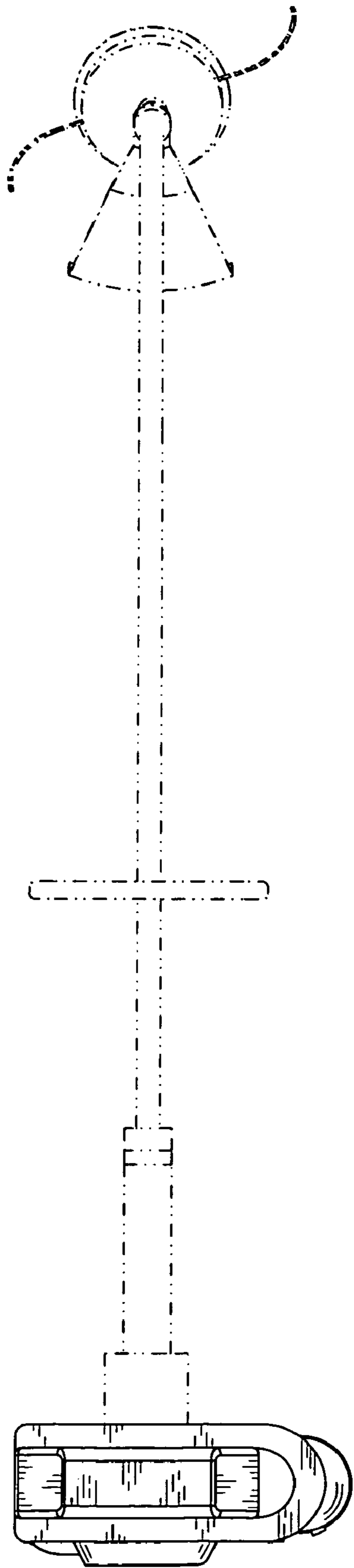


FIG. 4

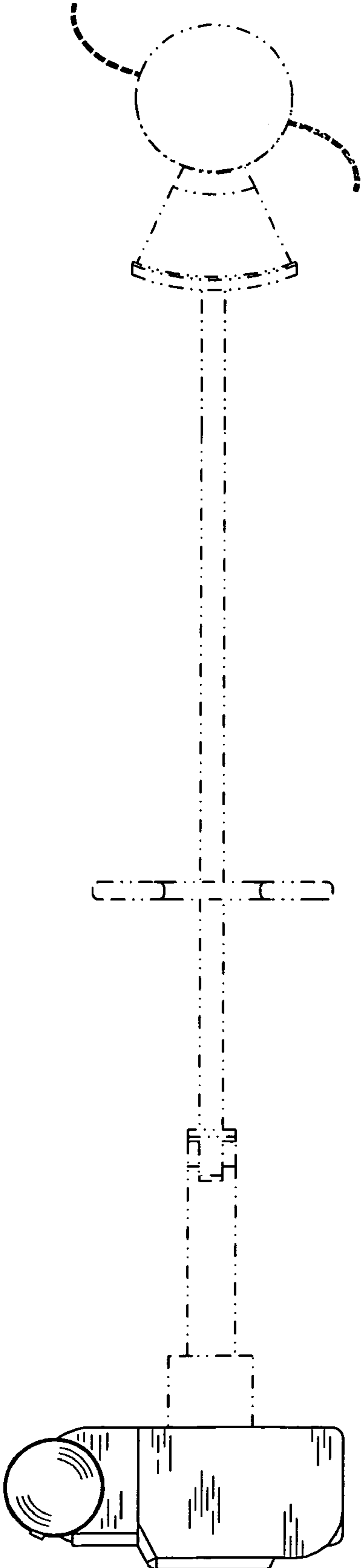


FIG. 5

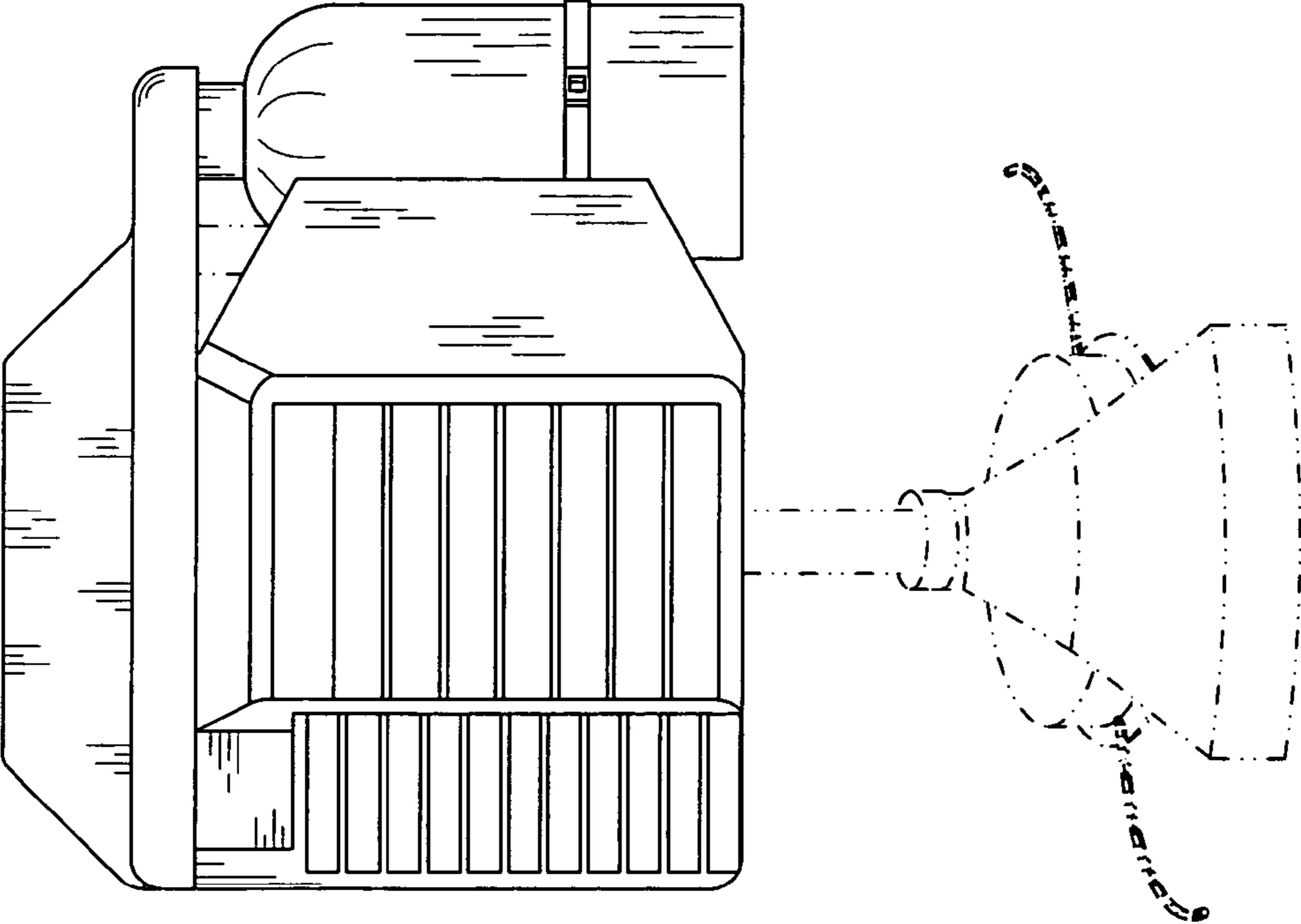


FIG. 6

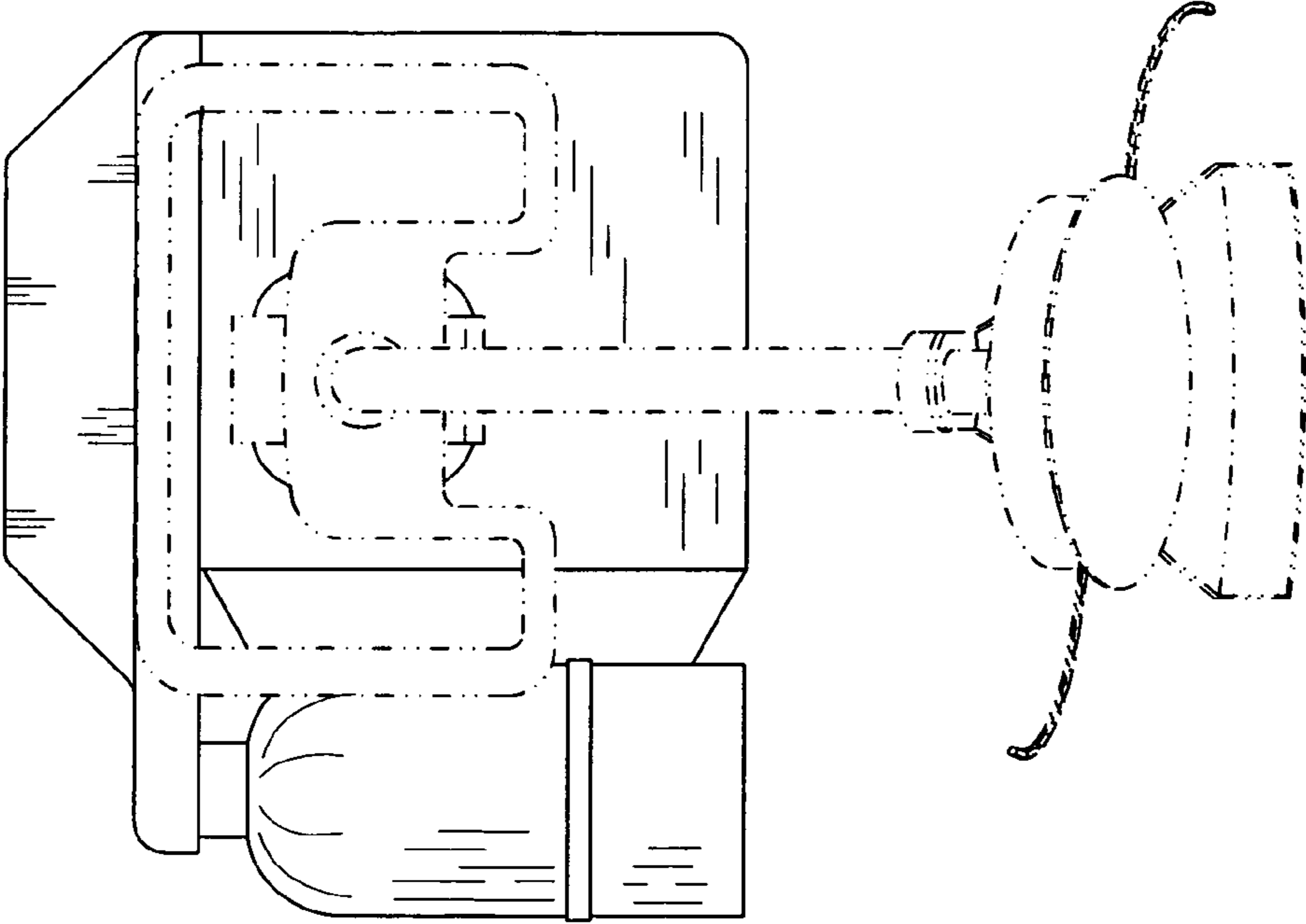


FIG. 7