



US00D602947S

(12) **United States Design Patent**
Arnell

(10) **Patent No.:** **US D602,947 S**
(45) **Date of Patent:** **** Oct. 27, 2009**

(54) **DISPLAY SCREEN WITH ICON OR
PACKAGING WITH SURFACE
ORNAMENTATION**

D521,152 S * 5/2006 Dodd et al. D24/189
D547,199 S * 7/2007 Dill et al. D9/667
D553,752 S * 10/2007 Mueller et al. D24/189
D559,915 S * 1/2008 Chamberlain D20/29
D571,223 S * 6/2008 Imperato et al. D9/667

(75) Inventor: **Peter E. Arnell**, Katonah, NY (US)

(73) Assignee: **PepsiCo, Inc.**, Purchase, NY (US)

(**) Term: **14 Years**

(21) Appl. No.: **29/327,570**

(22) Filed: **Nov. 7, 2008**

(51) **LOC (9) Cl.** **32-00**

(52) **U.S. Cl.** **D14/489; D9/434**

(58) **Field of Classification Search** D14/485-495;
D9/516, 550, 563, 414, 434, 763; D2/728,
D2/840, 853, 865, 891, 895, 999; D5/63-66,
D5/99; D7/300, 396.4, 213; D11/95, 101,
D11/116, 165, 172, 184; D12/93, 96, 102;
D18/24-33, 99; D19/1-8; D20/10, 11, 22-28;
715/700-867

See application file for complete search history.

(56) **References Cited**

U.S. PATENT DOCUMENTS

D277,110 S * 1/1985 Gordon D20/11
D277,113 S * 1/1985 Gordon D20/11
D277,114 S * 1/1985 Gordon D20/11
D298,144 S * 10/1988 Wells-Papanek et al. ... D14/489
D376,850 S * 12/1996 Dunshee et al. D24/189
D377,688 S * 1/1997 Dunshee et al. D24/189
D404,389 S * 1/1999 Mullin et al. D14/493
D436,631 S * 1/2001 Caloia et al. D20/22
D456,704 S * 5/2002 Ranchetti D9/667
6,455,752 B1 * 9/2002 Vesey 602/41
D467,195 S * 12/2002 Weaver D11/95
D471,225 S * 3/2003 Gray D18/27
D473,719 S * 4/2003 Liou D5/63
D508,207 S * 8/2005 Knight et al. D9/667
D515,433 S * 2/2006 Bretz et al. D9/667
D517,924 S * 3/2006 Bretz et al. D9/667

OTHER PUBLICATIONS

U.S. Trademark Application Serial No. 74673115, filed May 4, 1995.*
U.S. Trademark Application Serial No. 75601895, filed Aug. 7, 1998.*
U.S. Trademark Application Serial No. 76394934, filed Apr. 12, 2002.*
U.S. Trademark Application Serial No. 76663002, filed Jul. 13, 2006; "Trick'D".*
U.S. Trademark Application Serial No. 78663826, filed Jul. 5, 2005; "MD".*
U.S. Trademark Application Serial No. 74340239, filed Dec. 15, 1992.*

* cited by examiner

Primary Examiner—Cathron C Brooks
Assistant Examiner—Deanna Fluegeman
(74) *Attorney, Agent, or Firm*—Banner & Witcoff, Ltd.

(57) **CLAIM**

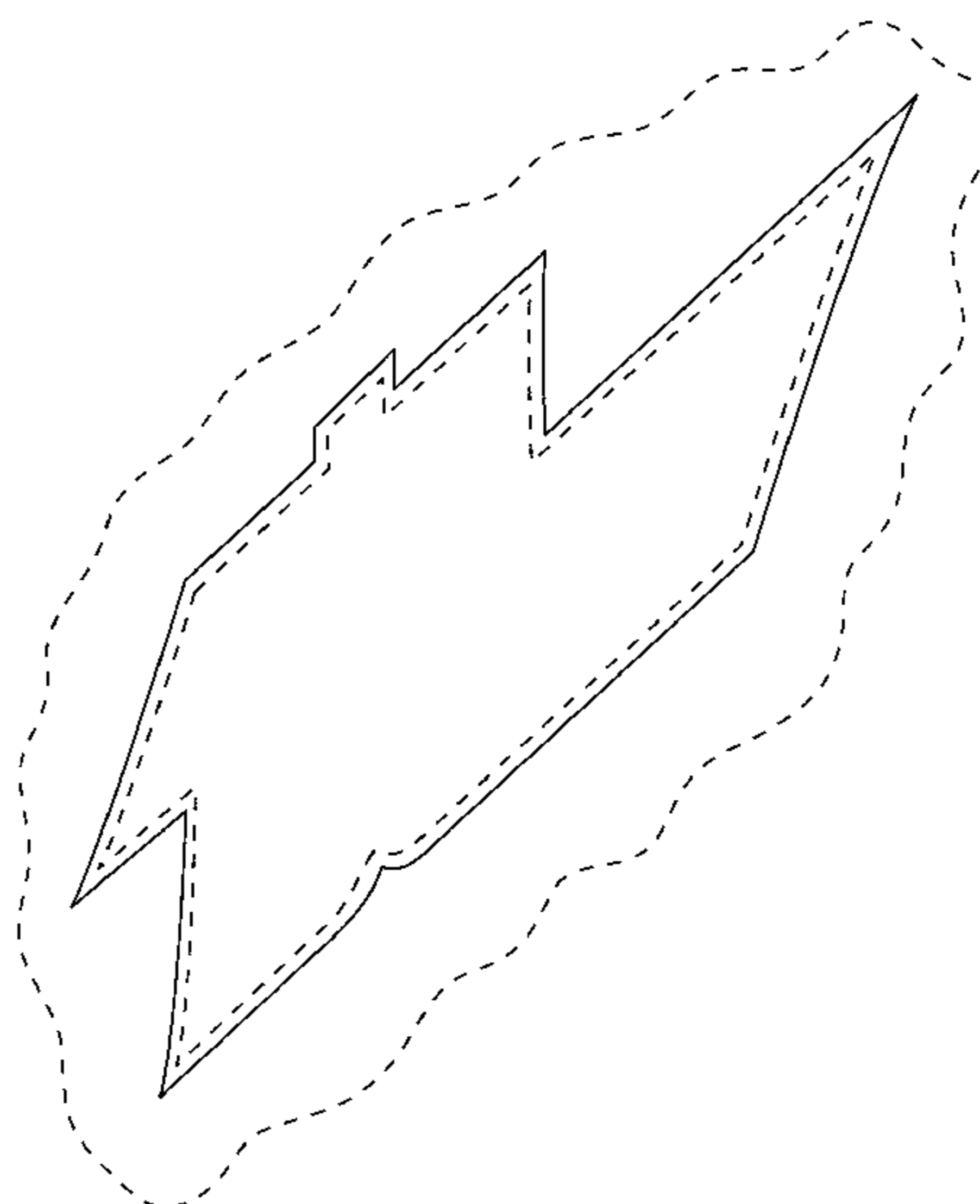
The ornamental design for display screen with icon or packaging with surface ornamentation, as shown and described.

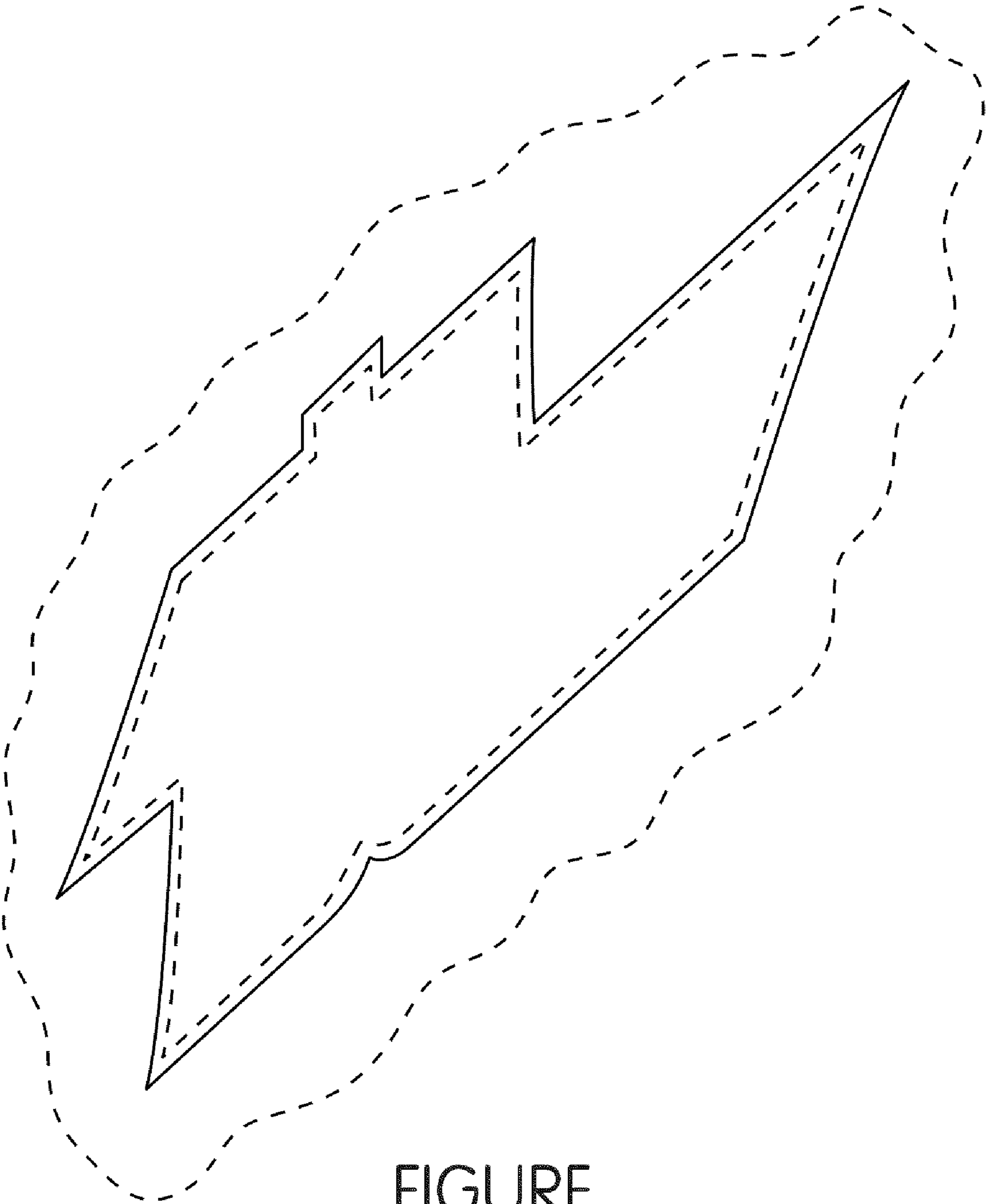
DESCRIPTION

The FIGURE is a front view of a display screen with icon or packaging with surface ornamentation showing our new design.

The interior broken line defines the bounds of the claimed design. This broken line and the area therewithin form no part of the claimed design. The outer broken line showing of a display screen or packaging surface is included for the purpose of illustrating unclaimed environment and forms no part of the claimed design.

1 Claim, 1 Drawing Sheet





FIGURE