



US00D602944S

(12) **United States Design Patent**
Barkhouse et al.

(10) **Patent No.:** **US D602,944 S**
(45) **Date of Patent:** **** Oct. 27, 2009**

(54) **DISPLAY SCREEN WITH ELECTRONIC
ICONS**

(75) Inventors: **Sydney Barkhouse**, Mississauga (CA);
Stuart T. McKenzie, Wyevale (CA)

(73) Assignee: **Wolfdale Engineering Limited**,
Brampton, Ontario (CA)

(**) Term: **14 Years**

(21) Appl. No.: **29/306,222**

(22) Filed: **Apr. 4, 2008**

Related U.S. Application Data

(63) Continuation of application No. PCT/CA2007/
002085, filed on Nov. 16, 2007.

(30) **Foreign Application Priority Data**

Jan. 30, 2008 (CA) 124514

(51) **LOC (9) Cl.** **32-00**

(52) **U.S. Cl.** **D14/488**

(58) **Field of Classification Search** D14/485-495;
D18/26, 31-33; D20/11-12, 23-25, 29-32,
D20/36-38; 715/700-867, 973-977; 345/33,
345/40; 73/204.14

See application file for complete search history.

(56) **References Cited**

U.S. PATENT DOCUMENTS

5,109,482 A * 4/1992 Bohrman 715/723
D341,848 S * 11/1993 Bigelow et al. D18/27
5,295,062 A * 3/1994 Fukushima 715/764
D405,776 S * 2/1999 Fults D14/486
5,926,177 A * 7/1999 Hatanaka et al. 715/747
5,952,985 A * 9/1999 McKinney et al. 345/42
D428,399 S * 7/2000 Kahn et al. D14/488

6,084,506 A * 7/2000 Irie 715/764
6,345,174 B1 * 2/2002 Usui et al. 455/154.1
D459,362 S * 6/2002 Platz et al. D14/489
D469,107 S * 1/2003 Miller et al. D14/488
6,580,440 B1 * 6/2003 Wagner et al. 715/762
6,593,901 B1 * 7/2003 Kitazawa et al. 345/4
D488,164 S * 4/2004 Kates et al. D14/486
D547,323 S * 7/2007 Ivanov D14/489
7,516,641 B2 * 4/2009 Lewis 73/204.14
2005/0198583 A1 * 9/2005 Martinez et al. 715/772
2009/0126714 A1 * 5/2009 Barkhouse et al. 73/204.14

OTHER PUBLICATIONS

Logo Lounge 2, by Bill Gardner and Catharine Fishel, Rockport
Publishers, Gloucester, MA © 2005, p. 173, item 5B.*

* cited by examiner

Primary Examiner—Cathron C Brooks

Assistant Examiner—Karen E Kearney

(57) **CLAIM**

The ornamental design for a display screen with electronic
icons, as shown and described.

DESCRIPTION

FIG. 1 is a front view of a display screen with electronic icons,
shown enlarged for ease of illustration.

FIG. 2 is a perspective view of the display screen with elec-
tronic icons of FIG. 1, shown in the environment of a barbe-
cue grill; and,

FIG. 3 is an enlarged, perspective view of the display screen
with electronic icons of FIG. 2.

The broken lines showing of the display screen in FIGS. 1-3,
and the broken line showing of the barbecue grill in FIGS.
2-3, represent environmental structure, and form no part of
the claimed design.

1 Claim, 3 Drawing Sheets





Figure 1

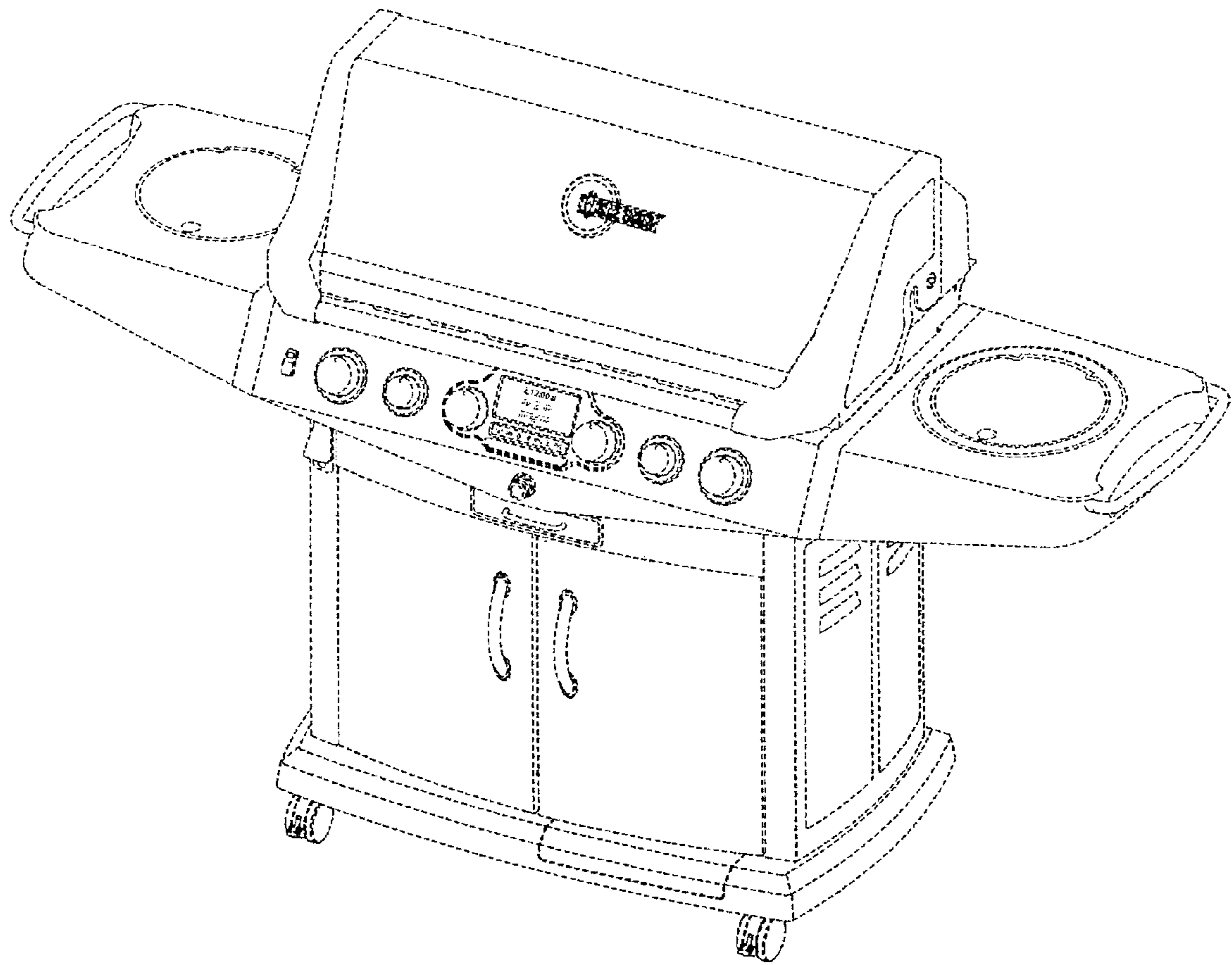


Figure 2

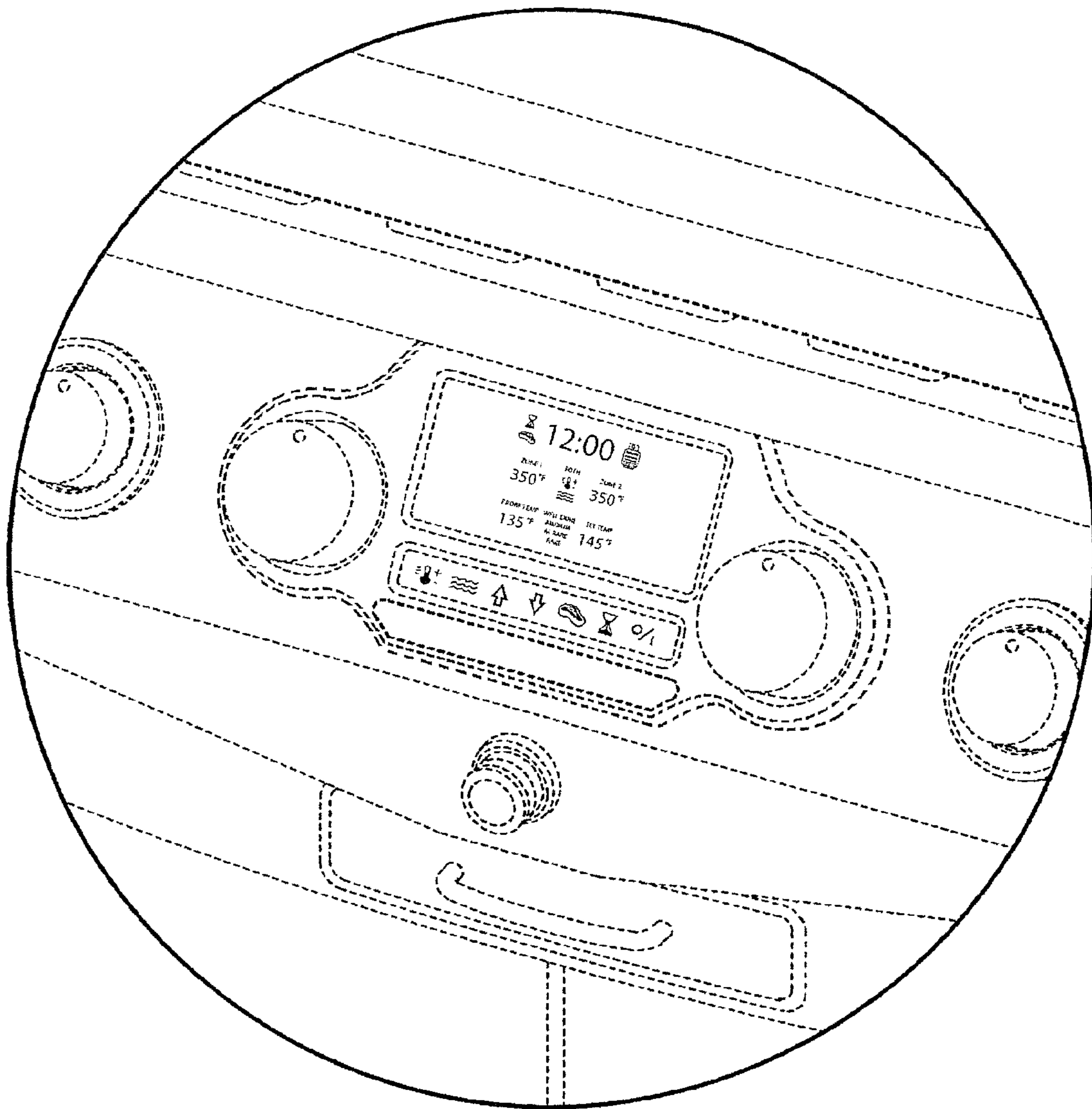


Figure 3