



US00D602939S

(12) **United States Design Patent**
Andre

(10) **Patent No.:** **US D602,939 S**
(45) **Date of Patent:** **** Oct. 27, 2009**

(54) **USB MEMORY STICK**

2007/0262522 A1* 11/2007 Lu 273/153 S
2009/0147462 A1* 6/2009 Zhu et al. 361/679.31

(75) Inventor: **Olivier Andre**, Hong Kong (CN)

(73) Assignee: **PF Concept International B.V.** (NL)

(**) Term: **14 Years**

(21) Appl. No.: **29/325,835**

(22) Filed: **Oct. 7, 2008**

(30) **Foreign Application Priority Data**

May 29, 2008 (WO) DM/070 263

(51) **LOC (9) Cl.** **14-99**

(52) **U.S. Cl.** **D14/480.1**

(58) **Field of Classification Search** D14/411,
D14/433, 435.1, 436, 480.1–480.7, 484.1,
D14/137, 155, 167, 168, 203.1–203.8, 240,
D14/242, 299; D3/201, 273; D13/107, 108,
D13/149, 184; 361/679.31, 679.33, 679.4,
361/752; 711/100, 115; 710/300, 301; 439/131,
439/135–147; D21/335, 478, 479; 273/153 S,
273/160

See application file for complete search history.

(56) **References Cited**

U.S. PATENT DOCUMENTS

653,290 A * 7/1900 Dukes 273/153 S
1,194,216 A * 8/1916 Morse D21/478
2,052,848 A * 9/1936 Schilling 273/153 S
D221,449 S * 8/1971 Taylor D21/478
5,992,850 A * 11/1999 Li 273/153 S
D475,094 S * 5/2003 Ko D21/478
D563,954 S * 3/2008 Buchanon D14/356
D572,249 S * 7/2008 Yang D14/358
2002/0044426 A1* 4/2002 Tokuhara 361/683
2006/0288169 A1* 12/2006 Steiner 711/115

OTHER PUBLICATIONS

Lego Flash Drive, Web Archive [online] Apr. 23, 2006 [retrieved on Dec. 13, 2006]. Retrieved from the Internet: <URL: <http://web.archive.org/web/20060423172021/http://www.trevorshp.com/legodrive.htm>>.*

Welcome to Usb.brande.com.hk, [online], [retrieved on Apr. 8, 2008]. Retrieved from the Internet <URL: http://usb.brande.com.hk/prod_detail.php?prod_id=00467>.*

Mnemosyne Flash Drive Stores Precious Moments for 1 Million Yen | The Daily Luxury News Blog from Luxury-Insider.com, [online] Jul. 3, 2009 [retrieved on Jul. 30, 2009]. Retrieved from the Internet <URL: http://www.luxury-insider.com/Current_Affairs/post/2009/07/Mnemosyne-Flash-Drive-Stores-Precious-Moments-for-1-Million-Yen.aspx>.*

* cited by examiner

Primary Examiner—Cathron C Brooks

Assistant Examiner—Karen E Kearney

(74) *Attorney, Agent, or Firm*—Altera Law Group, LLC

(57) **CLAIM**

The ornamental design for USB memory stick, as shown and described.

DESCRIPTION

FIG. 1 is a perspective view of the USB memory stick.

FIG. 2 is a front view thereof.

FIG. 3 is a back view thereof.

FIG. 4 is a bottom view thereof.

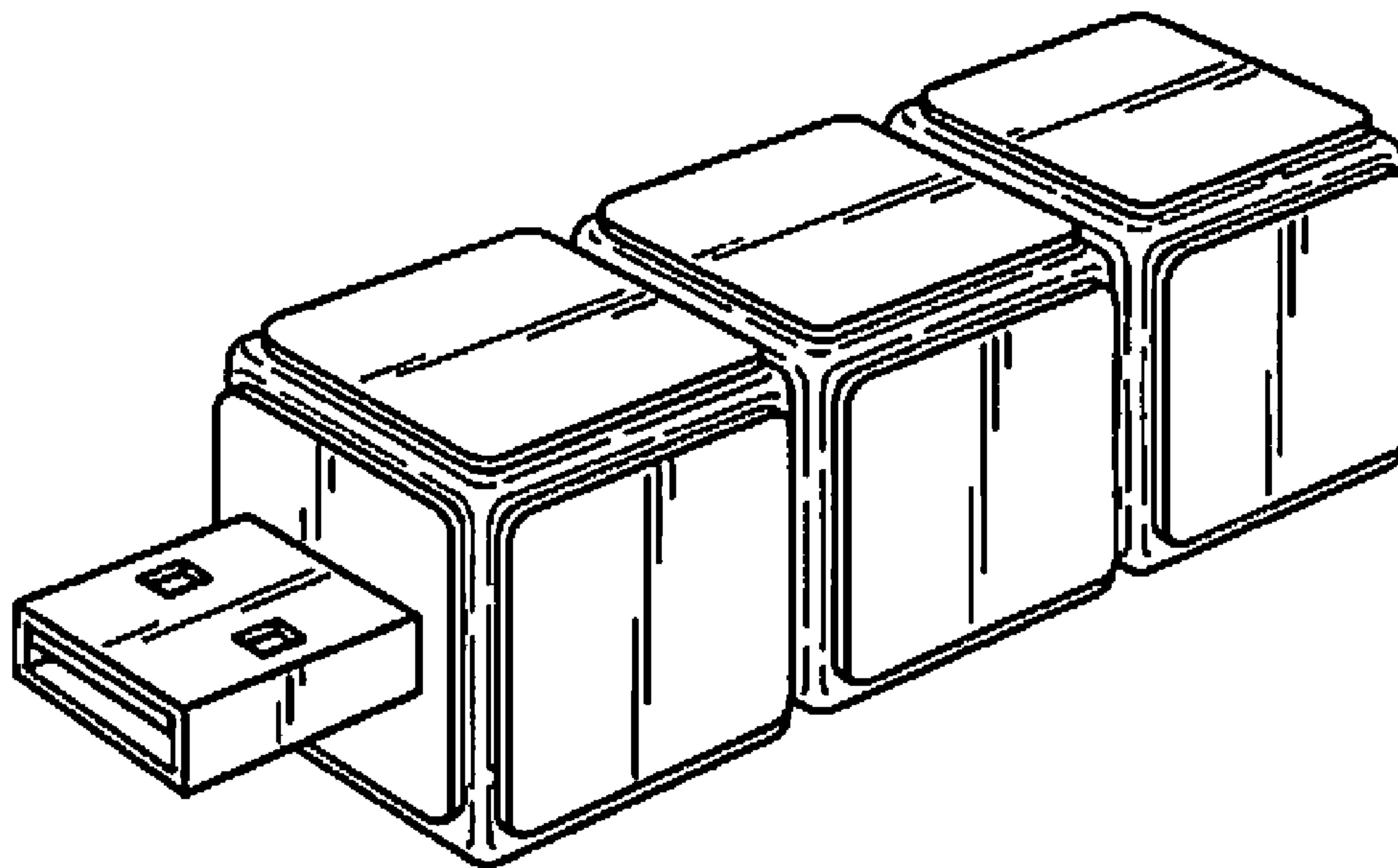
FIG. 5 is a top view thereof.

FIG. 6 is an end view thereof.

FIG. 7 is the other end; and,

FIG. 8 is a perspective view with a portion rotated.

1 Claim, 3 Drawing Sheets



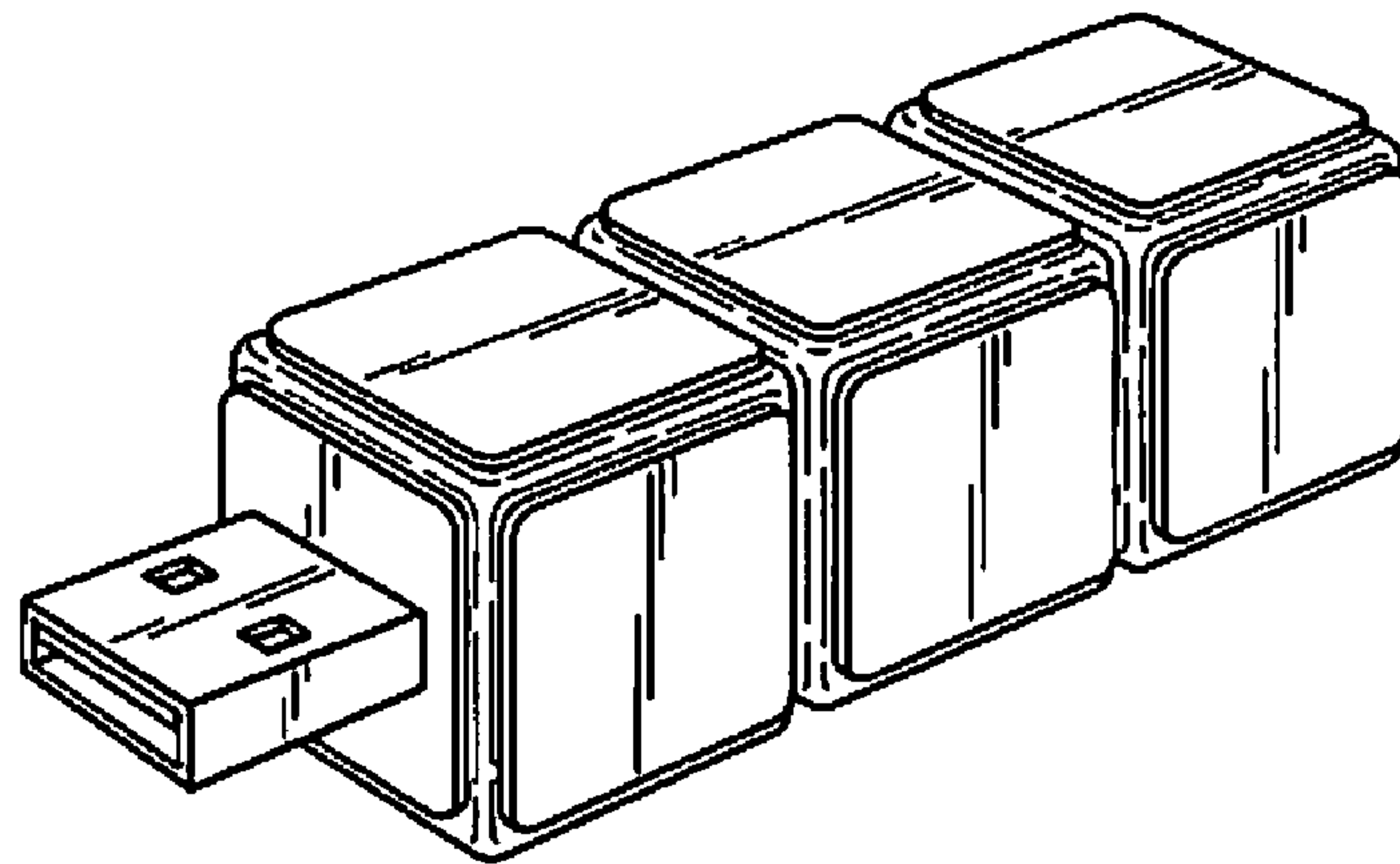


Fig. 1.

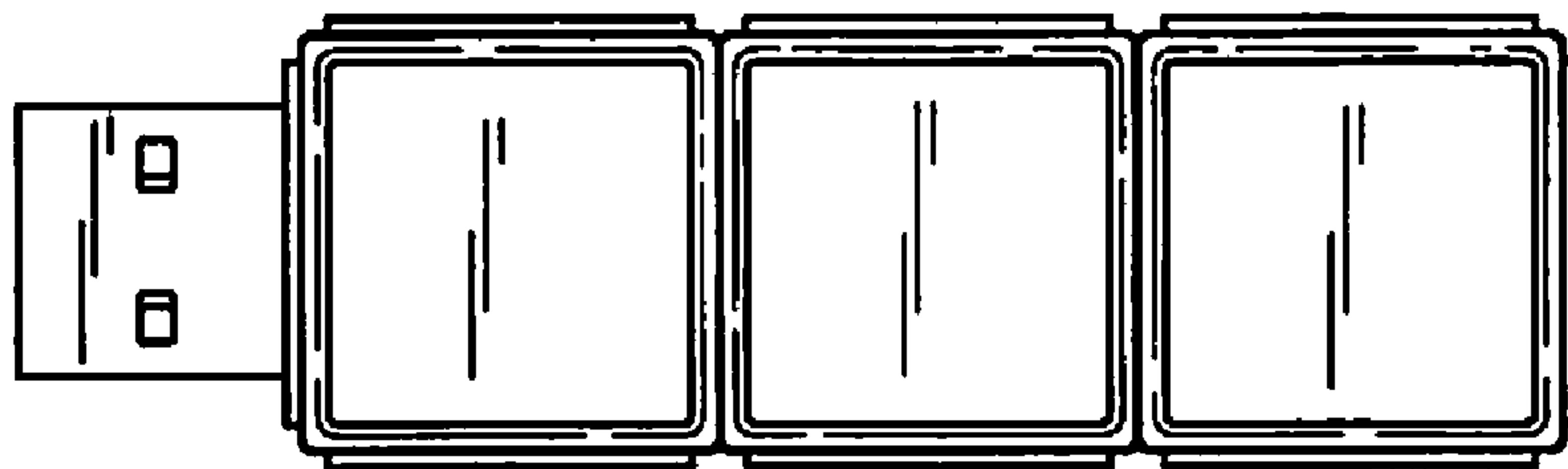


Fig. 2.

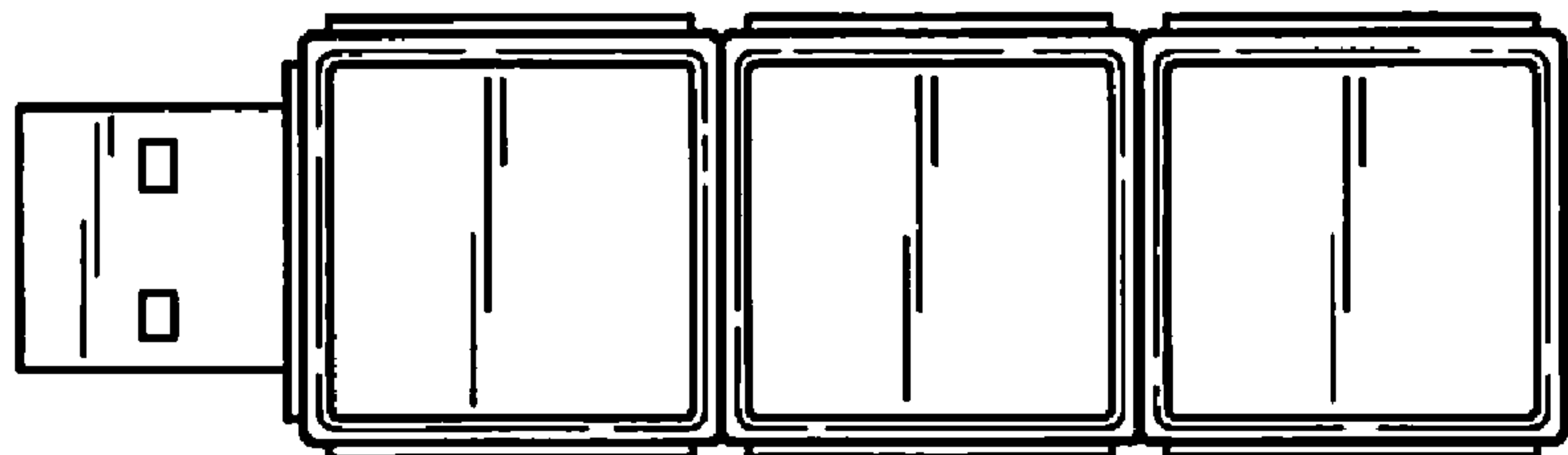


Fig. 3.

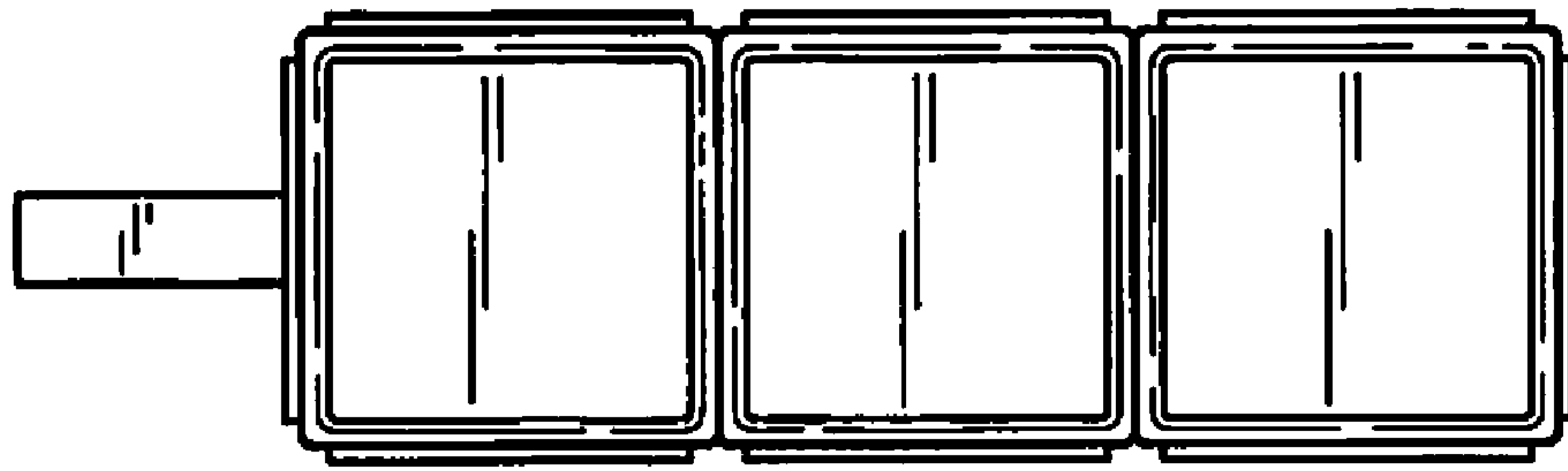


Fig.4.

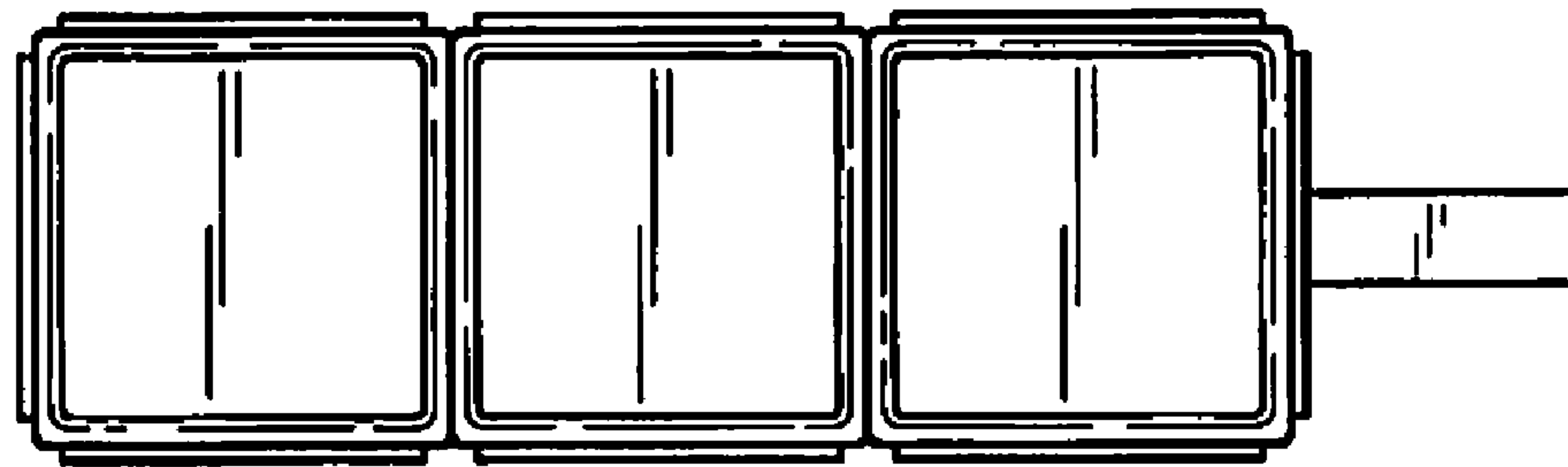


Fig.5.

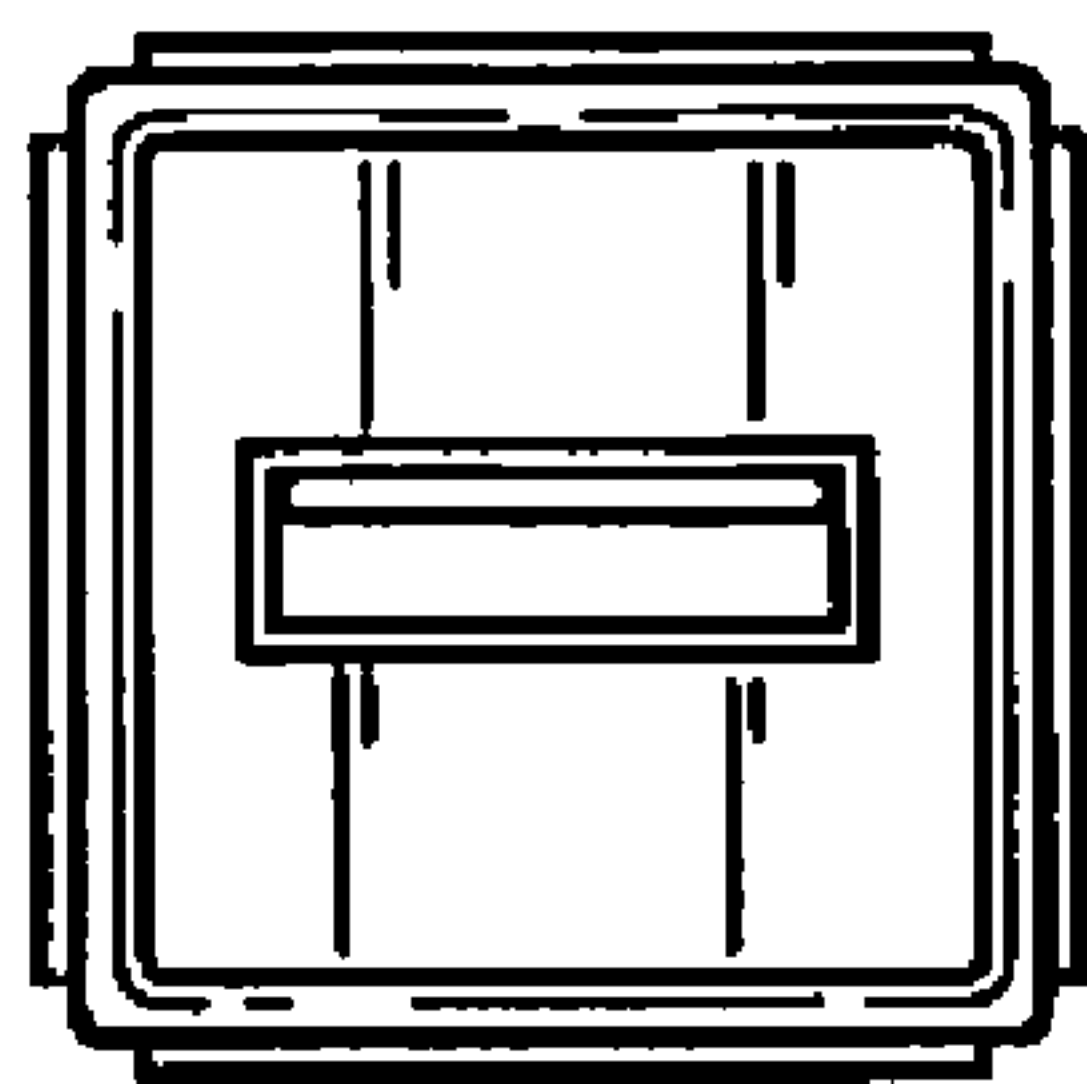


Fig.6.

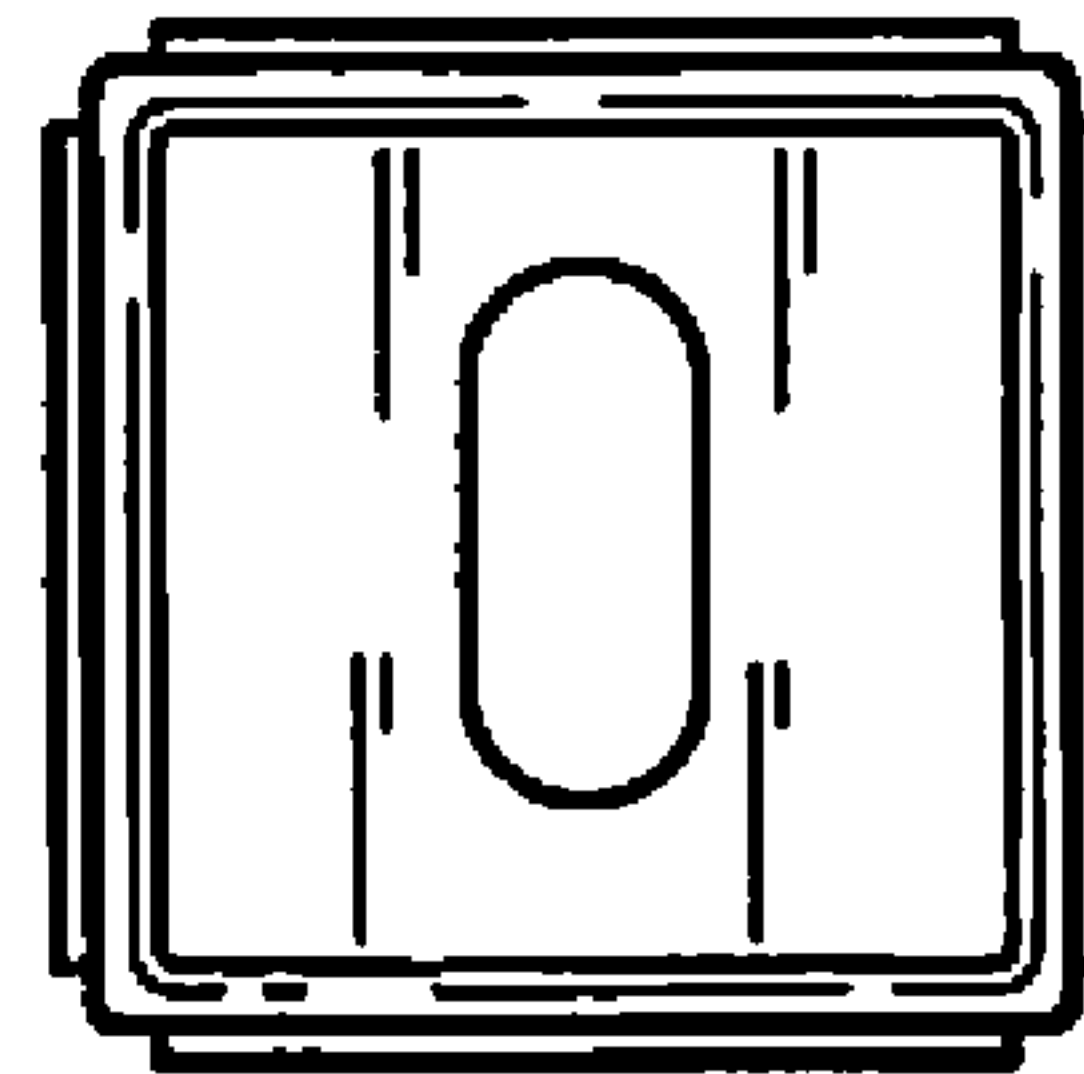


Fig.7.

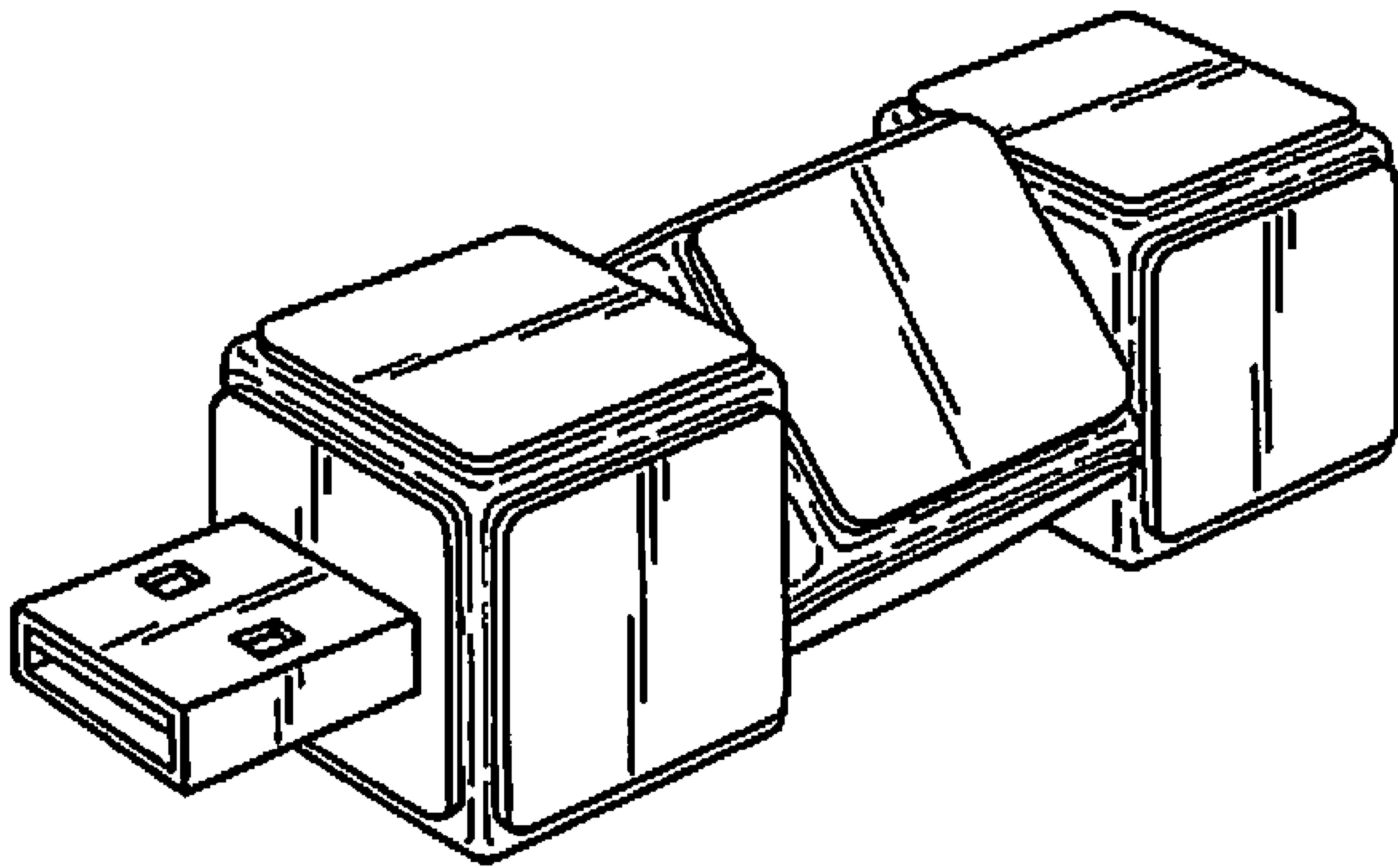


Fig.8.