



US00D602936S

(12) **United States Design Patent**
Chu

(10) **Patent No.:** **US D602,936 S**
(45) **Date of Patent:** **** Oct. 27, 2009**

(54) **DISPLAY**
(75) Inventor: **Chih-Ming Chu**, Taipei (TW)
(73) Assignee: **Hannspree, Inc.**, Taipei (TW)
(**) Term: **14 Years**
(21) Appl. No.: **29/327,724**
(22) Filed: **Nov. 12, 2008**

(51) **LOC (9) Cl.** **14-02**
(52) **U.S. Cl.** **D14/371**
(58) **Field of Classification Search** D14/371-375,
D14/336, 337, 341, 320, 331, 125-129; 341/12,
341/22; 345/104, 156, 168, 173, 901-905;
348/180, 184, 325, 837; 349/1, 2, 11, 62;
361/679.08, 679.23

See application file for complete search history.

(56) **References Cited**

U.S. PATENT DOCUMENTS

D416,875 S * 11/1999 Chuo et al. D14/375
D474,465 S * 5/2003 Liu D14/371
D494,970 S * 8/2004 Chen D14/371
D495,703 S * 9/2004 Ma D14/371

D535,991 S * 1/2007 Chiu D14/371
D537,441 S * 2/2007 Bruker D14/341
D538,801 S * 3/2007 Taylor D14/341
D541,798 S * 5/2007 Ichida et al. D14/371
D563,340 S * 3/2008 Hoehn et al. D14/126
D581,379 S * 11/2008 Chiu D14/126

* cited by examiner

Primary Examiner—Freda S Nunn

(74) *Attorney, Agent, or Firm*—Guice Patents PLLC

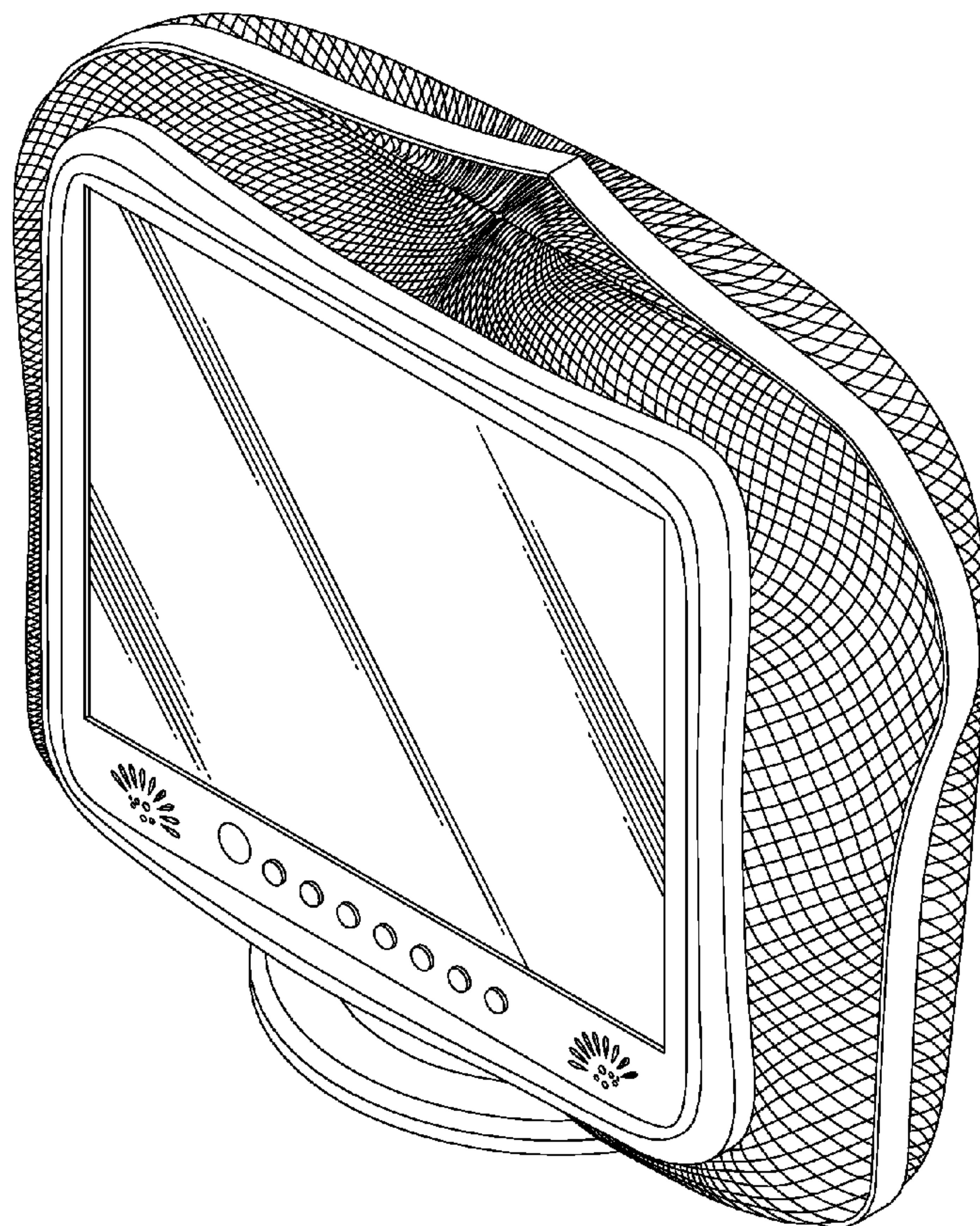
(57) **CLAIM**

The ornamental design for display, as shown and described.

DESCRIPTION

FIG. 1 is a perspective view of display showing the design;
FIG. 2 is a front side view thereof;
FIG. 3 is a back side view thereof;
FIG. 4 is a left side view thereof;
FIG. 5 is a right side view thereof;
FIG. 6 is a top elevation side view thereof; and,
FIG. 7 is a bottom elevation side view thereof.

1 Claim, 5 Drawing Sheets



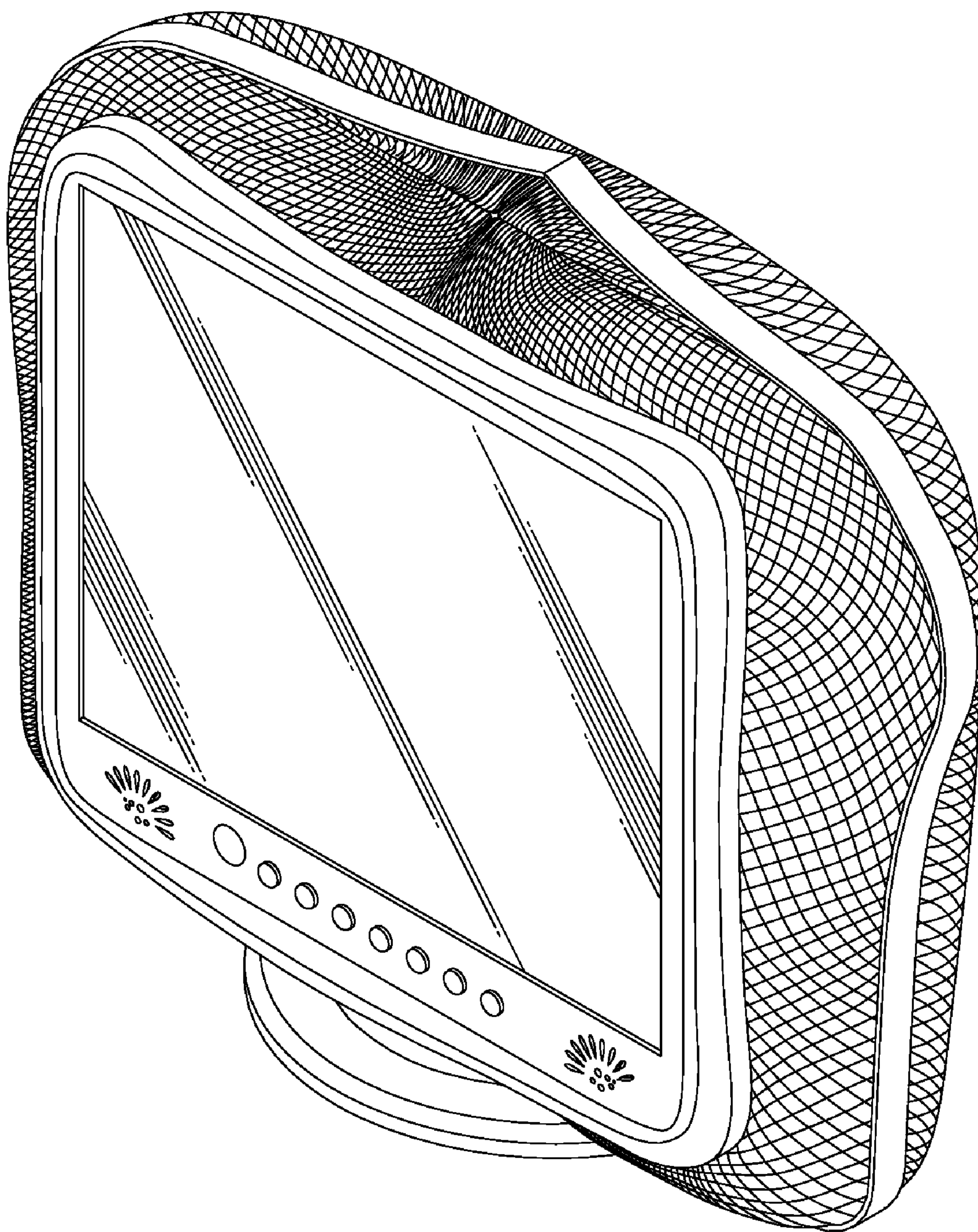


FIG. 1

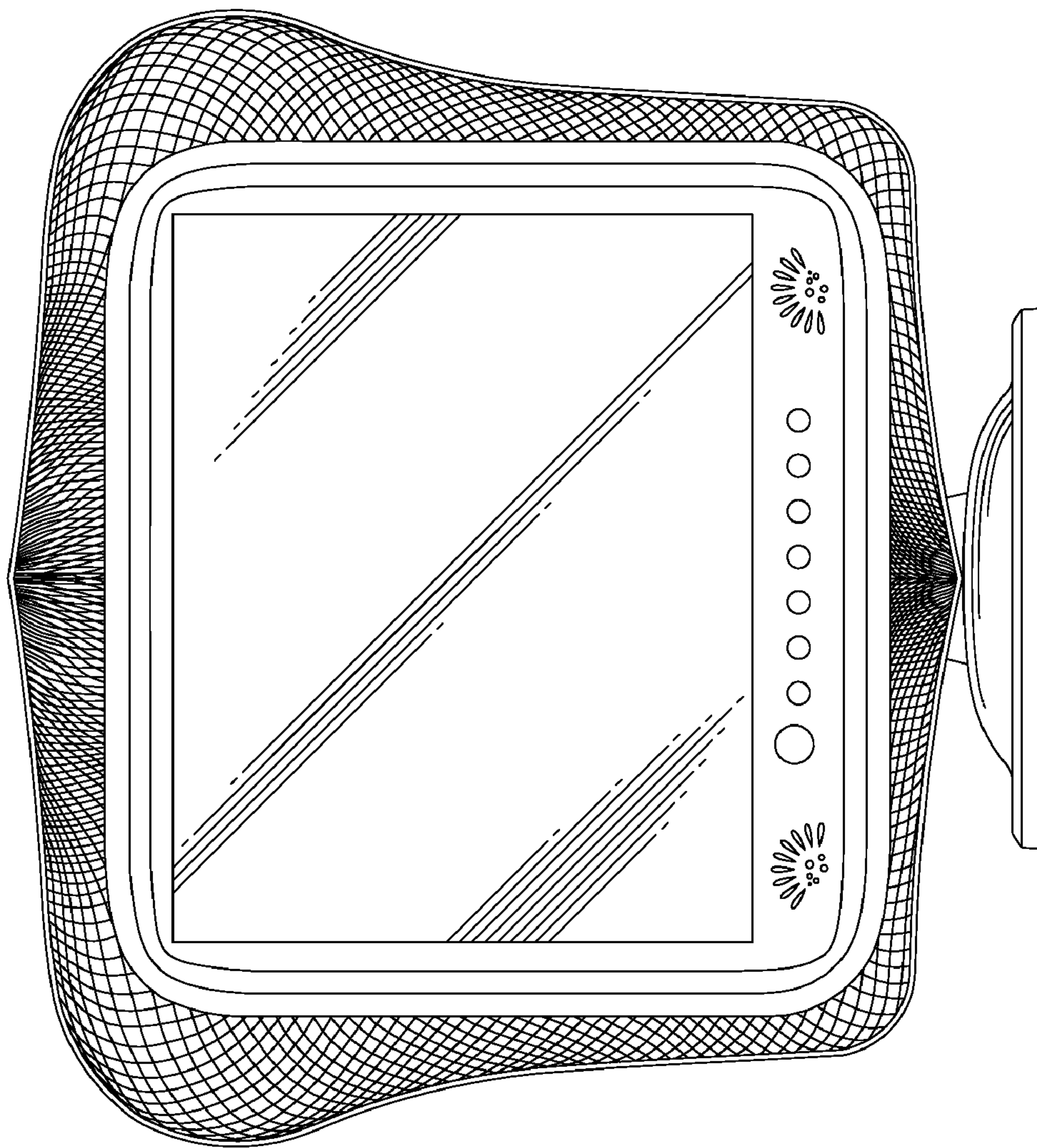


FIG. 2

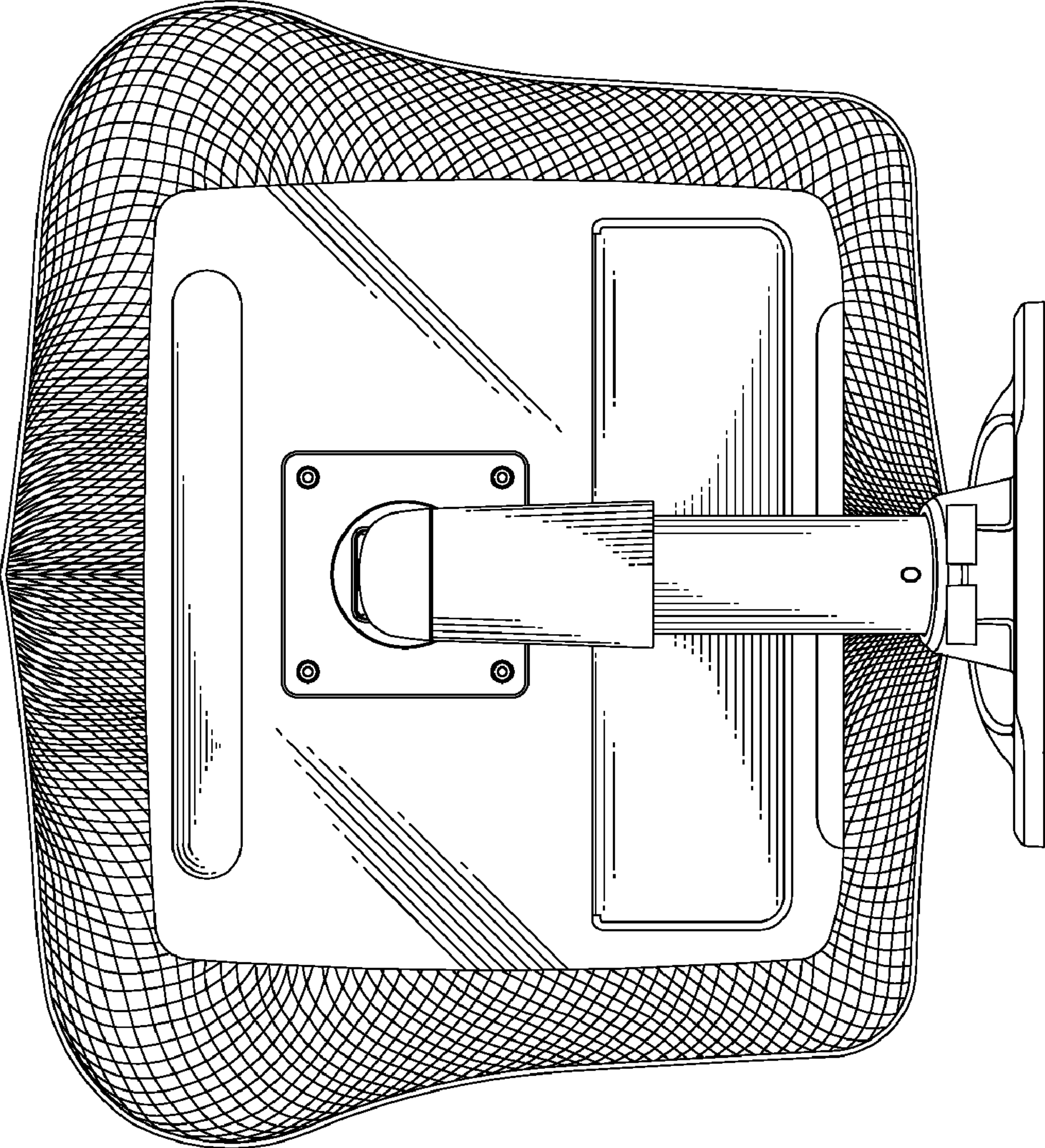


FIG. 3

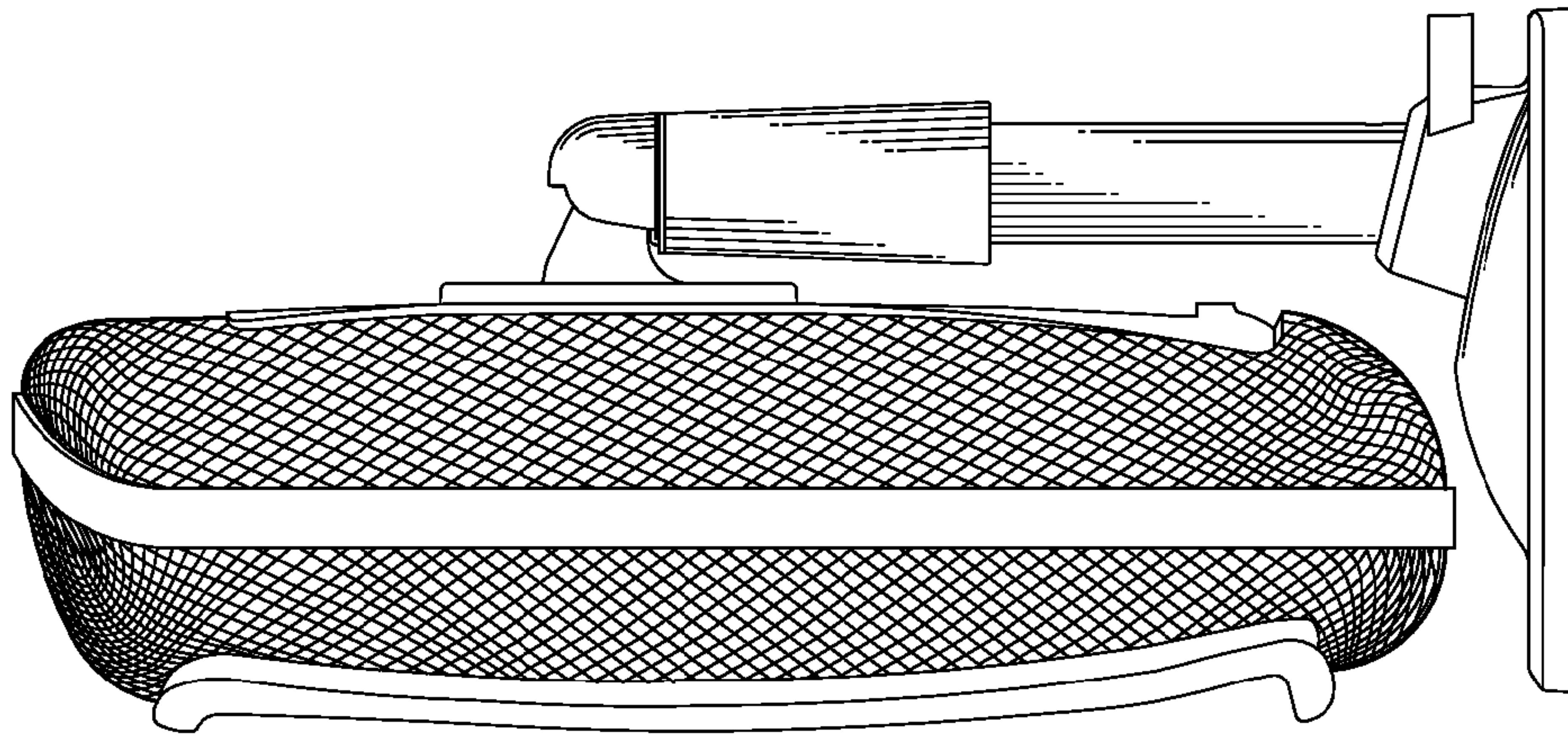


FIG. 5

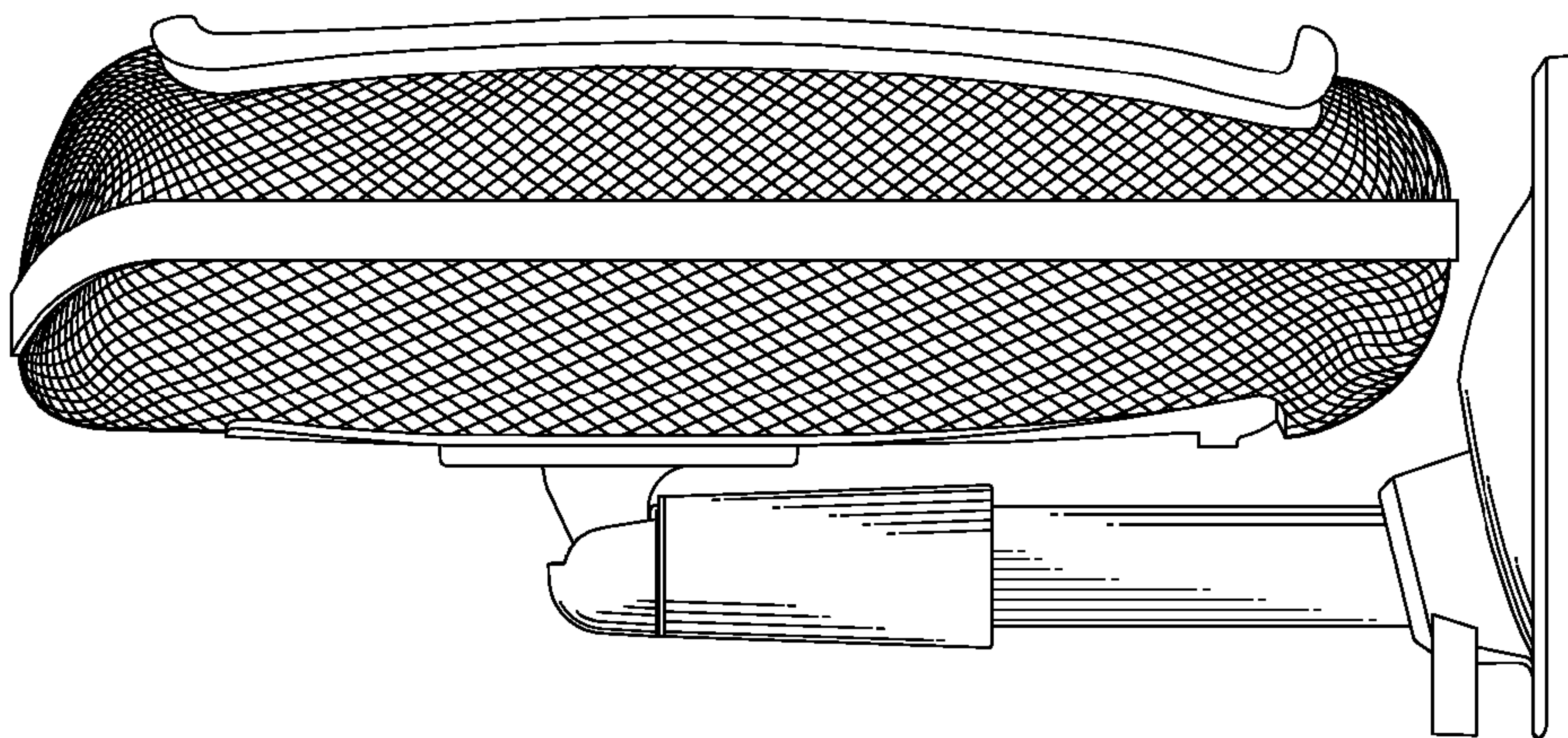


FIG. 4

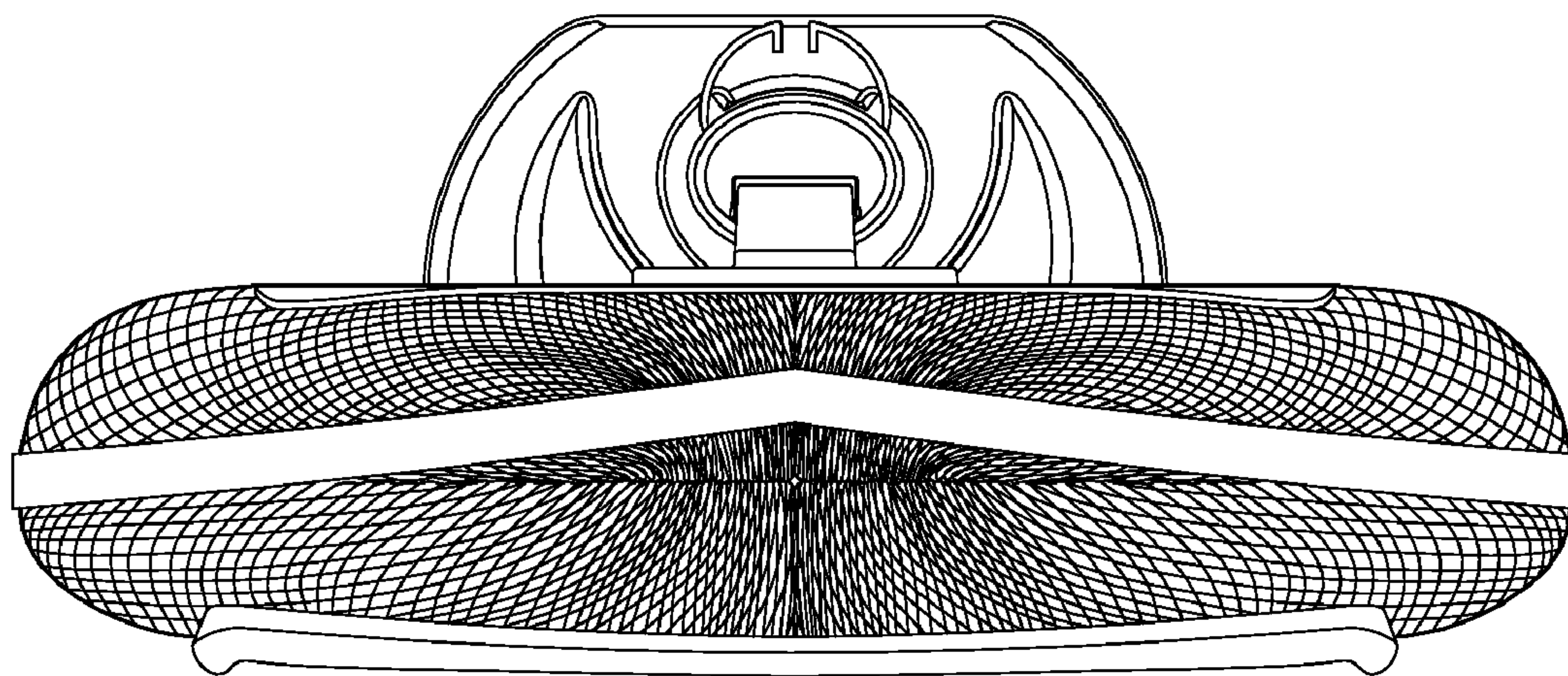


FIG. 6

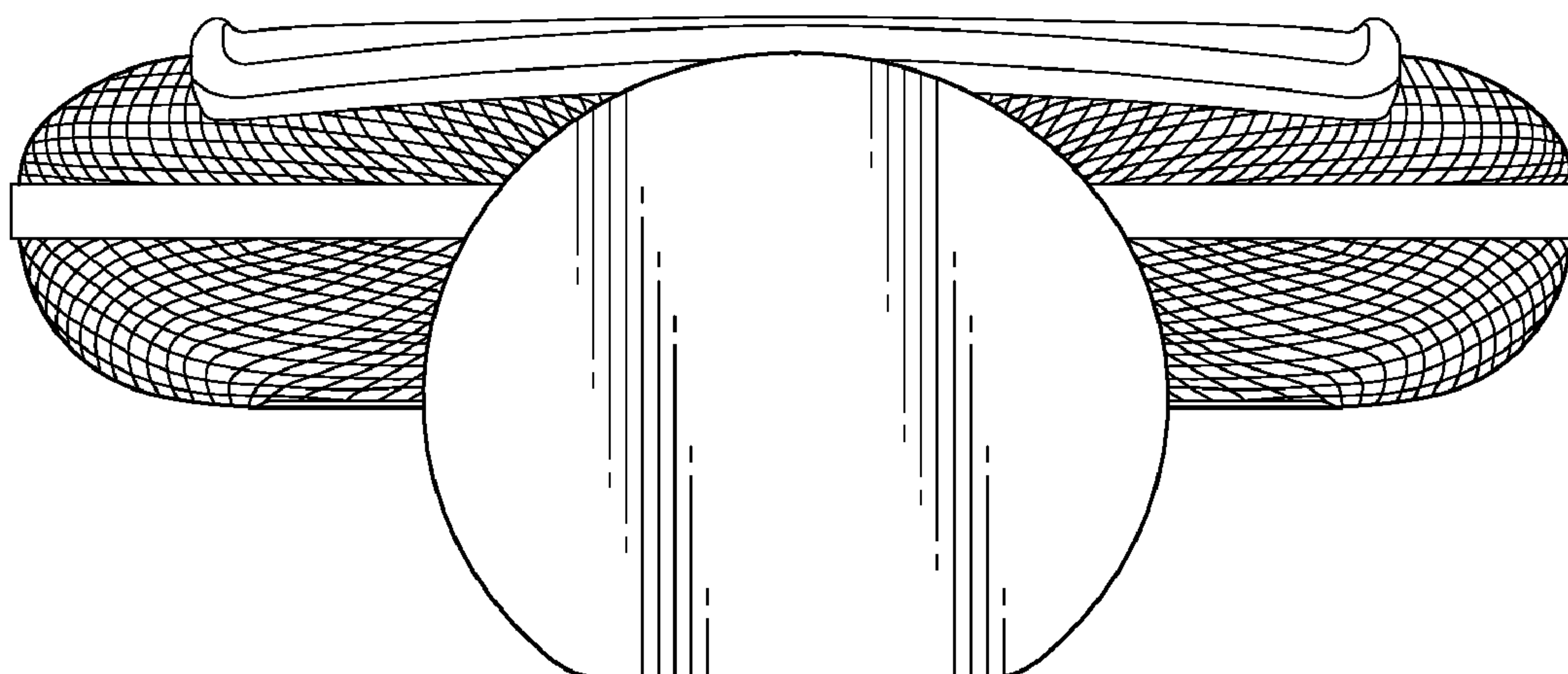


FIG. 7